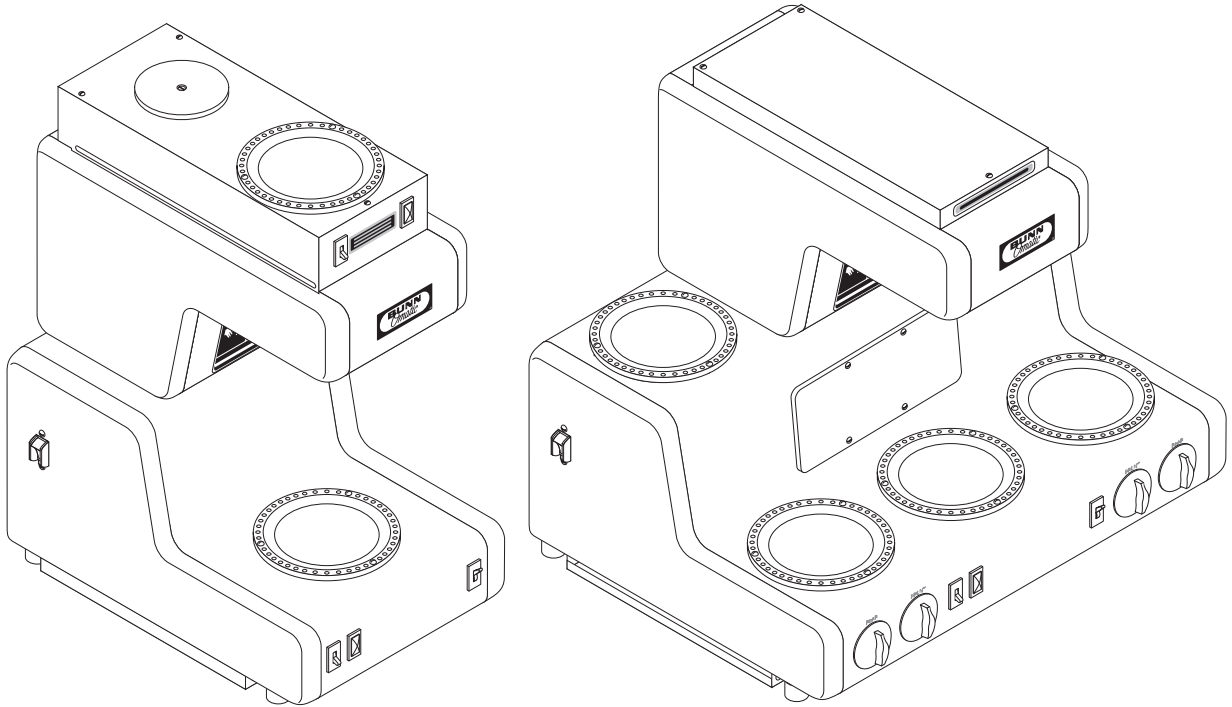

BUNN®

OL, RL *OT, RT*



ILLUSTRATED PARTS CATALOG

Designs, materials, weights, specifications, and dimensions for equipment or replacement parts are subject to change without notice.

BUNN-O-MATIC CORPORATION

POST OFFICE BOX 3227

SPRINGFIELD, ILLINOIS 62708-3227

PHONE: (217) 529-6601 FAX: (217) 529-6644

BUNN-O-MATIC COMMERCIAL PRODUCT WARRANTY

Bunn-O-Matic Corp. ("BUNN") warrants equipment manufactured by it as follows:

- 1) All equipment other than as specified below: 2 years parts and 1 year labor.
- 2) Electronic circuit and/or control boards: parts and labor for 3 years.
- 3) Compressors on refrigeration equipment: 5 years parts and 1 year labor.
- 4) Grinding burrs on coffee grinding equipment to grind coffee to meet original factory screen sieve analysis: parts and labor for 3 years or 30,000 pounds of coffee, whichever comes first.

These warranty periods run from the date of installation BUNN warrants that the equipment manufactured by it will be commercially free of defects in material and workmanship existing at the time of manufacture and appearing within the applicable warranty period. This warranty does not apply to any equipment, component or part that was not manufactured by BUNN or that, in BUNN's judgment, has been affected by misuse, neglect, alteration, improper installation or operation, improper maintenance or repair, damage or casualty. This warranty is conditioned on the Buyer 1) giving BUNN prompt notice of any claim to be made under this warranty by telephone at (217) 529-6601 or by writing to Post Office Box 3227, Springfield, Illinois 62708-3227; 2) if requested by BUNN, shipping the defective equipment prepaid to an authorized BUNN service location; and 3) receiving prior authorization from BUNN that the defective equipment is under warranty.

THE FOREGOING WARRANTY IS EXCLUSIVE AND IS IN LIEU OF ANY OTHER WARRANTY, WRITTEN OR ORAL, EXPRESS OR IMPLIED, INCLUDING, BUT NOT LIMITED TO, ANY IMPLIED WARRANTY OF EITHER MERCHANTABILITY OR FITNESS FOR A PARTICULAR PURPOSE. The agents, dealers or employees of BUNN are not authorized to make modifications to this warranty or to make additional warranties that are binding on BUNN. Accordingly, statements by such individuals, whether oral or written, do not constitute warranties and should not be relied upon.

If BUNN determines in its sole discretion that the equipment does not conform to the warranty, BUNN, at its exclusive option while the equipment is under warranty, shall either 1) provide at no charge replacement parts and/or labor (during the applicable parts and labor warranty periods specified above) to repair the defective components, provided that this repair is done by a BUNN Authorized Service Representative; or 2) shall replace the equipment or refund the purchase price for the equipment.

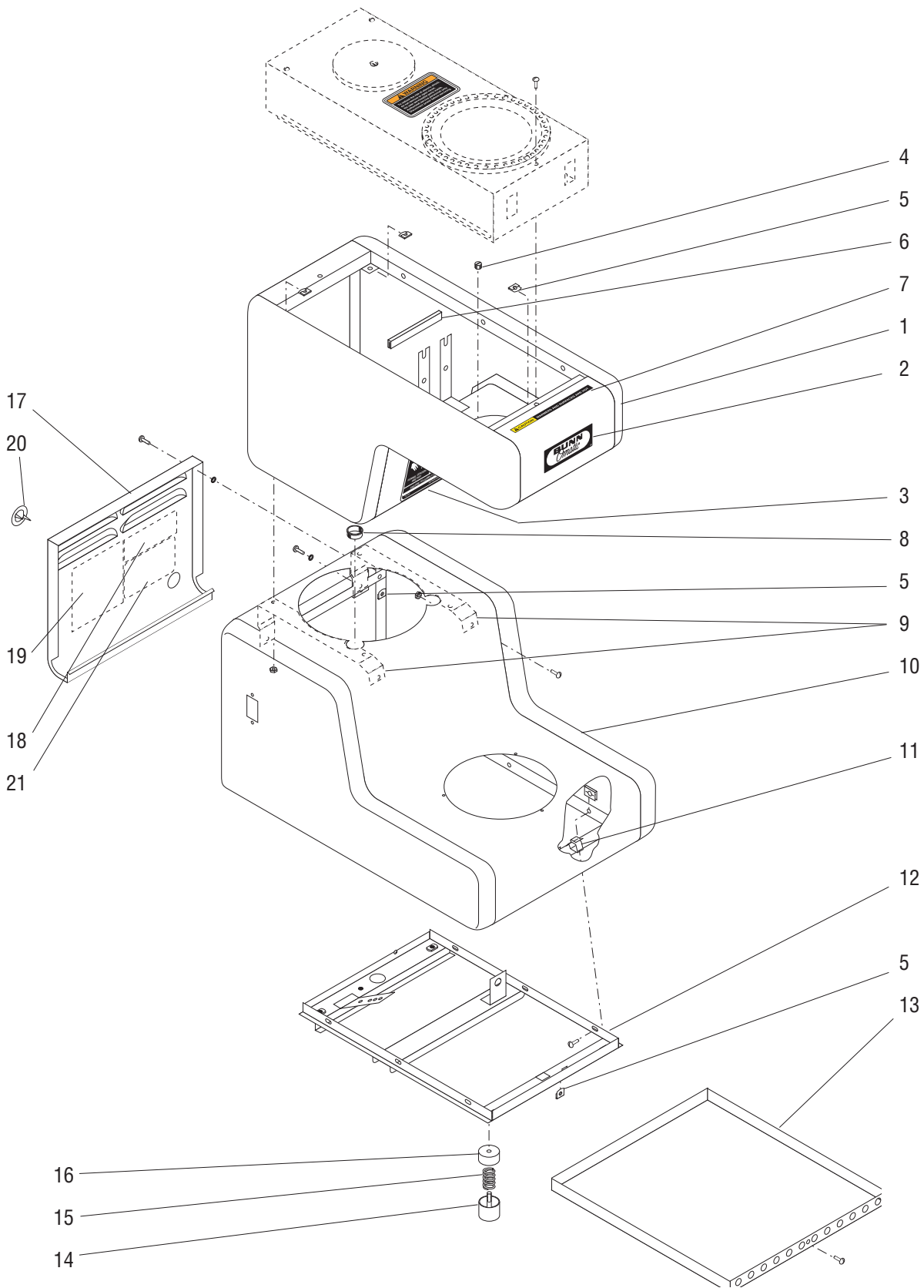
THE BUYER'S REMEDY AGAINST BUNN FOR THE BREACH OF ANY OBLIGATION ARISING OUT OF THE SALE OF THIS EQUIPMENT, WHETHER DERIVED FROM WARRANTY OR OTHERWISE, SHALL BE LIMITED, AT BUNN'S SOLE OPTION AS SPECIFIED HEREIN, TO REPAIR, REPLACEMENT OR REFUND.

In no event shall BUNN be liable for any other damage or loss, including, but not limited to, lost profits, lost sales, loss of use of equipment, claims of Buyer's customers, cost of capital, cost of down time, cost of substitute equipment, facilities or services, or any other special, incidental or consequential damages.

392, AutoPOD, AXIOM, BrewLOGIC, BrewMETER, Brew Better Not Bitter, BrewWISE, BrewWIZARD, BUNN Espresso, BUNN Family Gourmet, BUNN Gourmet, BUNN Pour-O-Matic, BUNN, BUNN with the stylized red line, BUNNlink, Bunn-OMatic, Bunn-O-Matic, BUNNserve, BUNNSERVE with the stylized wrench design, Cool Froth, DBC, Dr. Brew stylized Dr. design, Dual, Easy Pour, EasyClear, EasyGard, FlavorGard, Gourmet Ice, Gourmet Juice, High Intensity, iMIX, Infusion Series, Intellisteam, My Café, PowerLogic, Quality Beverage Equipment Worldwide, Respect Earth, Respect Earth with the stylized leaf and coffee cherry design, Safety-Fresh, savemy-coffee.com, Scale-Pro, Silver Series, Single, Smart Funnel, Smart Hopper, SmartWAVE, Soft Heat, SplashGard, The Mark of Quality in Beverage Equipment Worldwide, ThermoFresh, A Partner You Can Count On, Air Brew, Air Infusion, Beverage Bar Creator, Beverage Profit Calculator, Brew better, not bitter., BUNNSource, Coffee At Its Best, Cyclonic Heating System, Digital Brewer Control, Nothing Brews Like a BUNN, Pouring Profits, Signature Series, Tea At Its Best, Phase Brew, The Horizontal Red Line, Titan, trifecta, Ultra, Velocity Brew are either trademarks or registered trademarks of Bunn-O-Matic Corporation.

TABLE OF CONTENTS

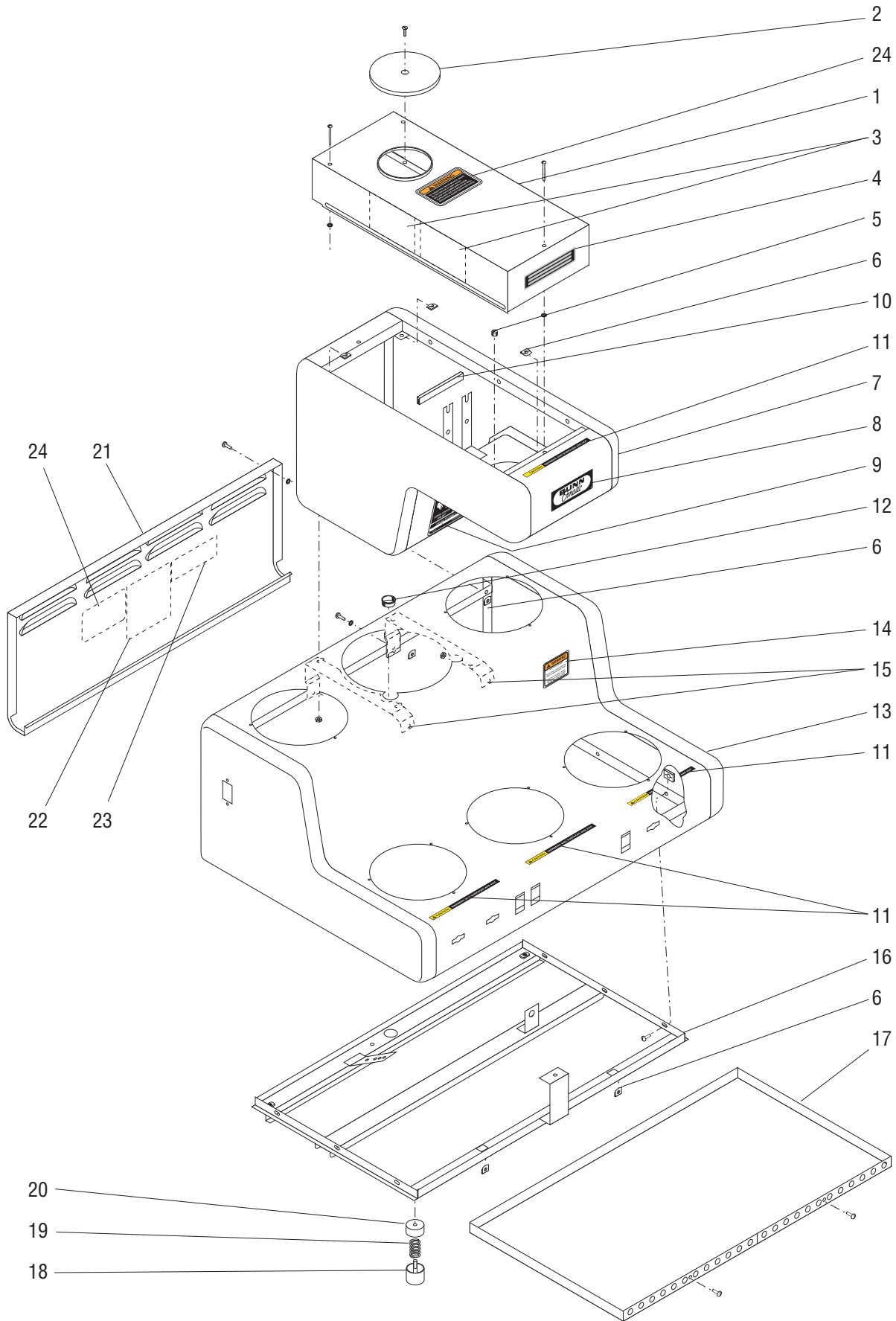
ELECTRICAL & OPERATING CONTROLS (Model OL)	28
ELECTRICAL & OPERATING CONTROLS (Model RL)	32
ELECTRICAL & OPERATING CONTROLS (Model OT)	36
ELECTRICAL & OPERATING CONTROLS (Model RT)	40
FAUCET & TUBING (Model RTF & Models RT & OT with Faucet Conversion)	22
FUNNELS & BASKETS	44
HOUSINGS & PANELS (Model OL)	4
HOUSINGS & PANELS (Model RL)	6
HOUSINGS & PANELS (Model OT)	8
HOUSINGS & PANELS (Model RT)	10
NUMERICAL INDEX	46
STRAINER (Models OL & RL)	18
STRAINER/FLOW CONTROL (Models OT & RT)	20
TANK & COMPONENTS (Models OL & RL)	12
TANK & COMPONENTS (Models OT & RT)	16
WARMER ASSEMBLIES (Models OL & OT)	24
WARMER ASSEMBLIES (Models RL & RT)	26



HOUSINGS & PANELS (Model OL)

ITEM	PART NO.	QTY.	DESCRIPTION
1	05103.1000	1	Hood w/Decals (Includes items 2 thru 7)
	05103.1001	1	Hood w/Decals (Includes items 2 thru 7) (Model OL25B only)
	01331.0000	2	Screw, RND SLTD #10-32 x .50" (Early models)
	00971.0000	4	Nut, KEPS #10-32
2	00875.0000	1	Decal, BUNN-O-MATIC
3	00658.0000	1	Decal, WARNING DECANter/FUNNEL
4	00462.0001	1	Plug
5	00917.0000	6	Fastener, "J" Type #8-32
6	-----	1	Gasket, U-Channel 3.50" (Order item 22)
7	12364.0000	2	Decal, Caution - Warmers are Hot
8	00606.0000	1	Bushing
9	05016.0000	1	Bracket, Right
	05017.0000	1	Bracket, Left
	02310.0000	2	Screw, Truss Head #10-32 x .50"
	00971.0000	2	Nut, KEPS #10-32
	01331.0000	2	Screw, RND SLTD #10-32 x .50"
	01512.0000	2	Lockwasher, External-tooth #10
10	05105.0000	1	Housing
	05105.1002	1	Housing (Models w/ Master ON/OFF Switch)
11	00927.0000	1	Clip, Cable
12	05102.0000*	1	Chassis
	01311.0000	6	Screw, Truss Head #8-32 x .25"
	00978.0000	6	Fastener, Flat Type #8-32
13	05014.0000	1	Drip Tray
	01315.0000	1	Screw, Truss Head #8-32 x .375"
14	00754.0001	4	Foot/Locator
15	00751.0000	4	Spring
16	00752.0000	4	Cover
17	22358.1001	1	Panel w/Decals (Model OL-15)(Includes items 18 thru 21)
	22358.1000	1	Panel w/Decals (Models OL-20 & 35)(Includes items 18, 19 & 21)
	01320.0000	2	Screw, RND SLTD #8-32 x 1.0"
	01516.0000	2	Washer, Nylon Retainer
18	00656.0000	1	Decal, COMPLIANCE TO PLUMBING CODE
19	00831.0000	1	Decal, WARNING ELECTRICAL
20	00715.0000	1	Adapter, Strain Relief (Model OL-15 only)
21	37881.0000	1	Decal, No Serviceable Parts
22	02434.1000	-	Gasket, U-Channel 18.0" (Use as required)

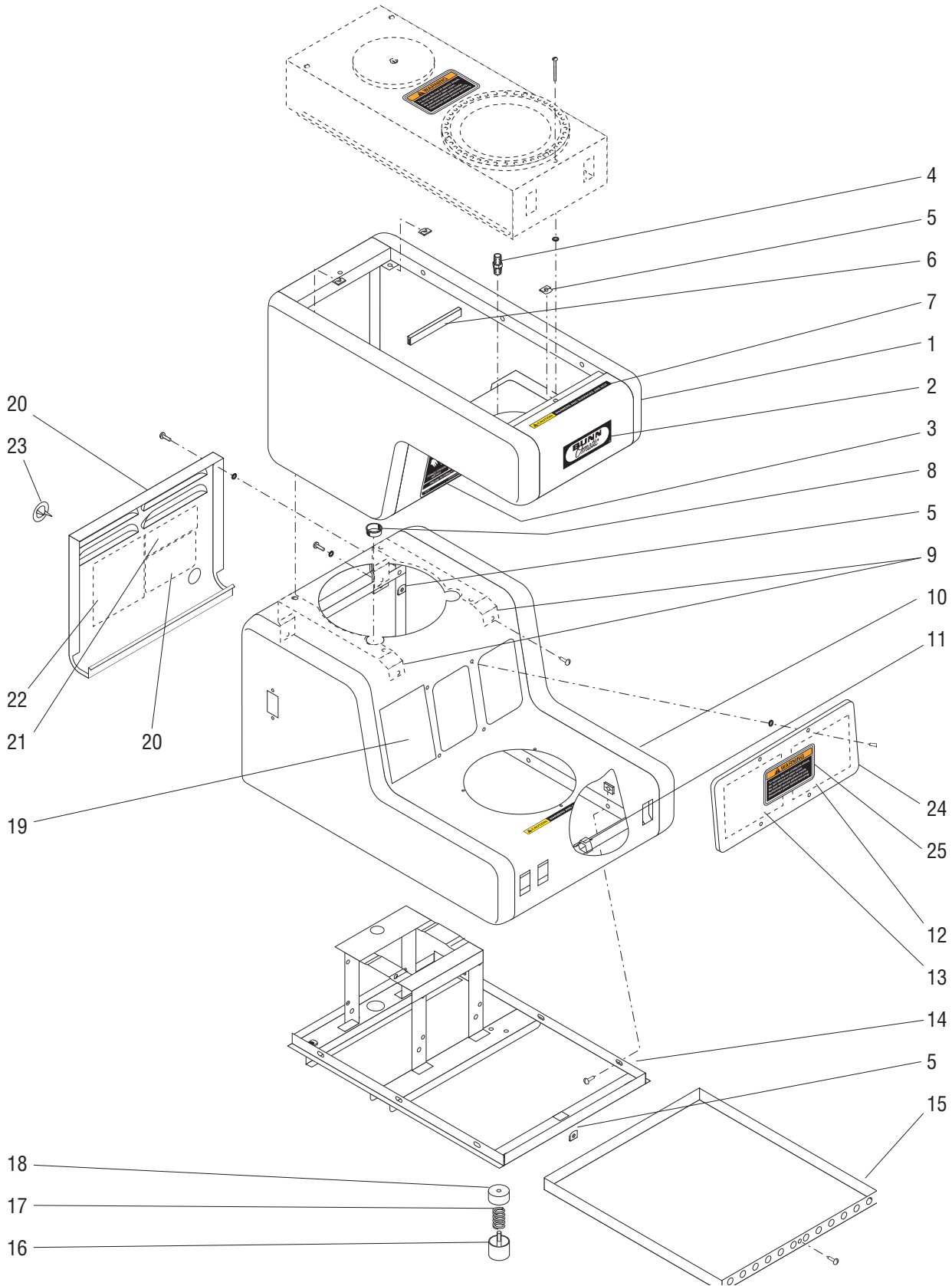
* Indicates the part number listed is for reference only. See DESCRIPTION for possible service replacement.



HOUSINGS & PANELS (Model RL)

ITEM	PART NO.	QTY.	DESCRIPTION
1	03811.1000	1	Cover w/Decals (Includes items 2 thru 4 & 24)
	01371.0000	3	Screw, RND SLTD #8-32 x 4.0"
	01516.0000	3	Washer, Nylon Retaining
2	01189.0000	1	Lid
	01377.0000	1	Screw, FLH SLTD #8-32 x .75"
	00912.0000	1	Fastener, "J" Type #8-32
3	32424.0000	1	Schematic, Electrical
4	00803.0000	1	Decal, Decorative Stripe
5	00462.0001	1	Plug
6	00917.0000	7	Fastener, "J" Type #8-32
7	05103.1000	1	Hood w/Decals (Includes items 5 thru 11)
	01331.0000	2	Screw, RND SLTD #10-32 x .50" (Early models)
	00971.0000	4	Nut, KEPS #10-32
8	00875.0000	1	Decal, BUNN-0-MATIC
9	00658.0000	1	Decal, WARNING DECANter/FUNNEL
10	-----	1	Gasket, U-Channel 3.50" (Order item 25)
11	12364.0000	4	Decal, Caution - Warmers are Hot
12	00606.0000	1	Bushing
13	05092.1000	1	Housing w/Decal (Includes items 6,11,12 and 14)
	05092.0000	1	Housing (Models RLA only)
14	00688.0000	1	Decal, HIGH HEAT (Models with High Heat Warmer)
15	05016.0000	1	Bracket, Right
	05017.0000	1	Bracket, Left
	02310.0000	2	Screw, Truss Head #10-32 x .50"
	00971.0000	2	Nut, KEPS #10-32
	01331.0000	2	Screw, RND SLTD #10-32 x .50"
	01512.0000	2	Lockwasher, External-tooth #10
16	05101.0000	1	Chassis
	01311.0000	6	Screw, Truss Head #8-32 x .25"
	00978.0000	6	Fastener, Flat Type #8-32
17	05005.0000	1	Drip Tray
	01315.0000	2	Screw, Truss Head #8-32 x .375"
18	00754.0001	4	Foot/Locator
19	00751.0000	4	Spring
20	00752.0000	4	Cover
21	22351.1000	1	Panel w/Decals (Includes item 22 - 24)
	01320.0000	2	Screw, RND SLTD #8-32 x 1.0"
	01516.0000	2	Washer, Nylon Retainer
22	00831.0000	1	Decal, WARNING ELECTRICAL
23	00656.0000	1	Decal, COMPLIANCE TO PLUMBING CODE
24	37881.0000	2	Decal, No Serviceable Parts
25	02434.1000	-	Gasket, U-Channel 18.0" (Use as required)

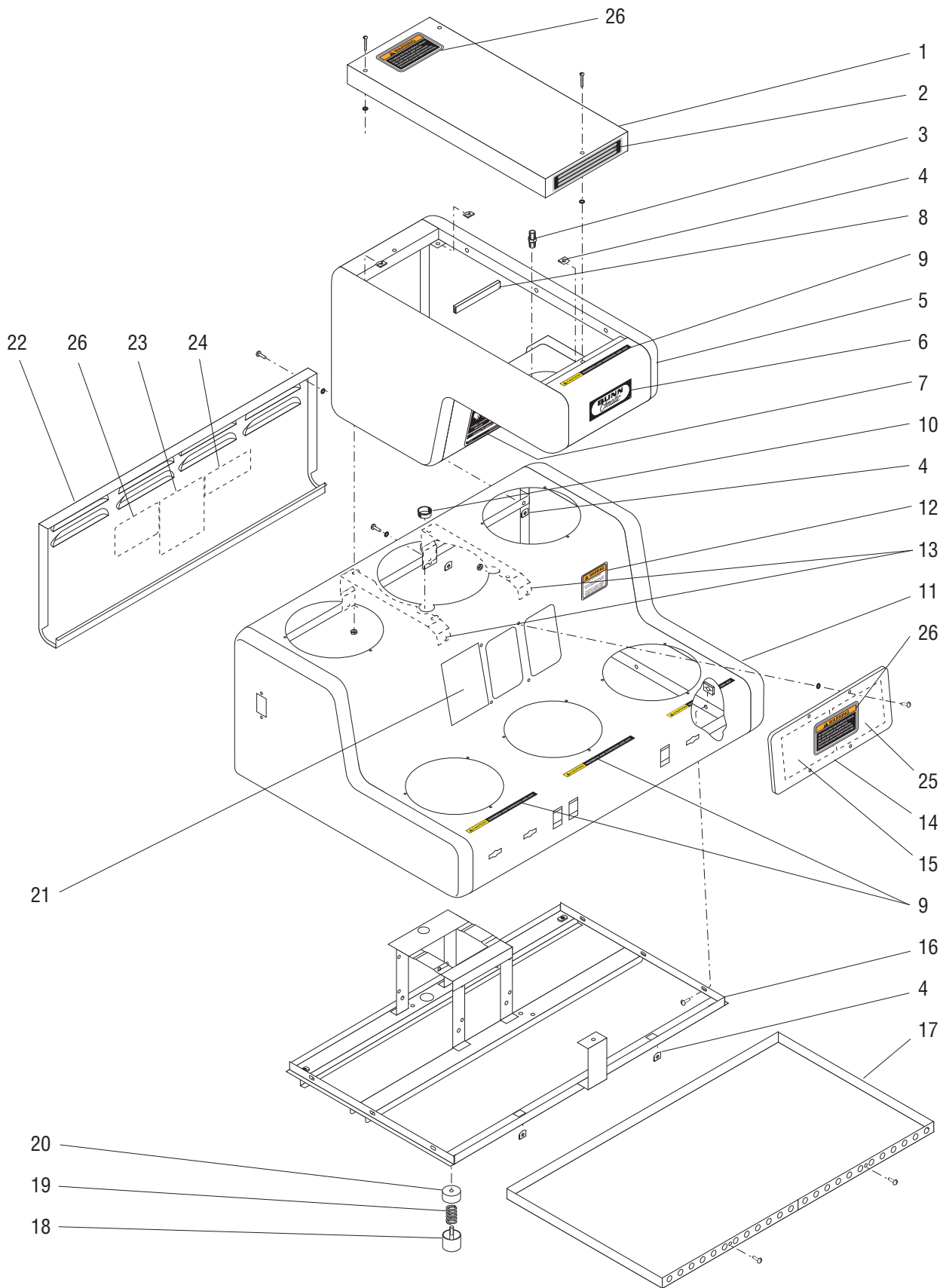
* Indicates the part number listed is for reference only. See DESCRIPTION for possible service replacement.



HOUSINGS & PANELS (Model OT)

ITEM	PART NO.	QTY.	DESCRIPTION
1	05025.1000	1	Hood w/Decals (Includes items 2 thru 7)
	05194.0000	1	Hood (Model OT35 w/Interface only)
	01331.0000	2	Screw, RND SLTD #10-32 x .50" (Early models)
	00971.0000	4	Nut, KEPS #10-32
2	00875.0000	1	Decal, BUNN-O-MATIC
3	00658.0000	1	Decal, WARNING DECANter/FUNNEL
4	00406.0001	1	Connector
5	00917.0000	6	Fastener, "J" Type #8-32
6	-----	1	Gasket, U-Channel 3.50" (Order item 26)
7	12364.0000	2	Decal, Caution - Warmers are Hot
8	00606.0000	1	Bushing
9	05016.0000	1	Bracket, Right
	05017.0000	1	Bracket, Left
	02310.0000	2	Screw, Truss Head #10-32 x .50"
	00971.0000	2	Nut, KEPS #10-32
	01331.0000	2	Screw, RND SLTD #10-32 x .50"
	01512.0000	2	Lockwasher, External-tooth #10
10	05023.1000	1	Housing w/Decal (Includes items 5,7,8 & 10)
	05023.0002*	1	Housing (Models w/ Master ON/OFF Switch)
11	00927.0000	1	Clip, Cable
12	22357.1003	1	Cover w/Decal (Includes items 13 & 25)
	01318.0000	4	Screw, RND SLTD #8-32 x .50"
	01516.0000	4	Washer, Nylon Retaining
13	10278.0000	1	Schematic, Electrical
14	04974.0000	1	Chassis
	01311.0000	6	Screw, Truss Head #8-32 x .25"
	00978.0000	6	Fastener, Flat Type #8-32
15	05014.0000	1	Drip Tray
	01315.0000	1	Screw, Truss Head #8-32 x .375"
16	00754.0001	4	Foot/Locator
17	00751.0000	4	Spring
18	00752.0000	4	Cover
19	00774.0000	1	Decal, CAUTION-THERMOSTAT
20	22358.1002	1	Panel w/Decals (Model OT-15)(Includes items 21 thru 23 & 25)
	22358.1000	1	Panel w/Decals (Models OT-20 & 35)(Shown)(Includes items 21 & 22)
	01320.0000	2	Screw, RND SLTD #8-32 x 1.0"
	01516.0000	2	Washer, Nylon Retainer
21	00656.0000	1	Decal, COMPLIANCE TO PLUMBING CODE
22	00831.0000	1	Decal, WARNING ELECTRICAL
23	00715.0000	1	Adapter, Strain Relief (Model OT-15 only)
24	32540.0000	1	Decal, Timer Setting Instructions (Models with Digital Timer)
25	37881.0000	2	Decal, No Serviceable Parts
26	02434.1000	-	Gasket, U-Channel 18.0" (Use as required)

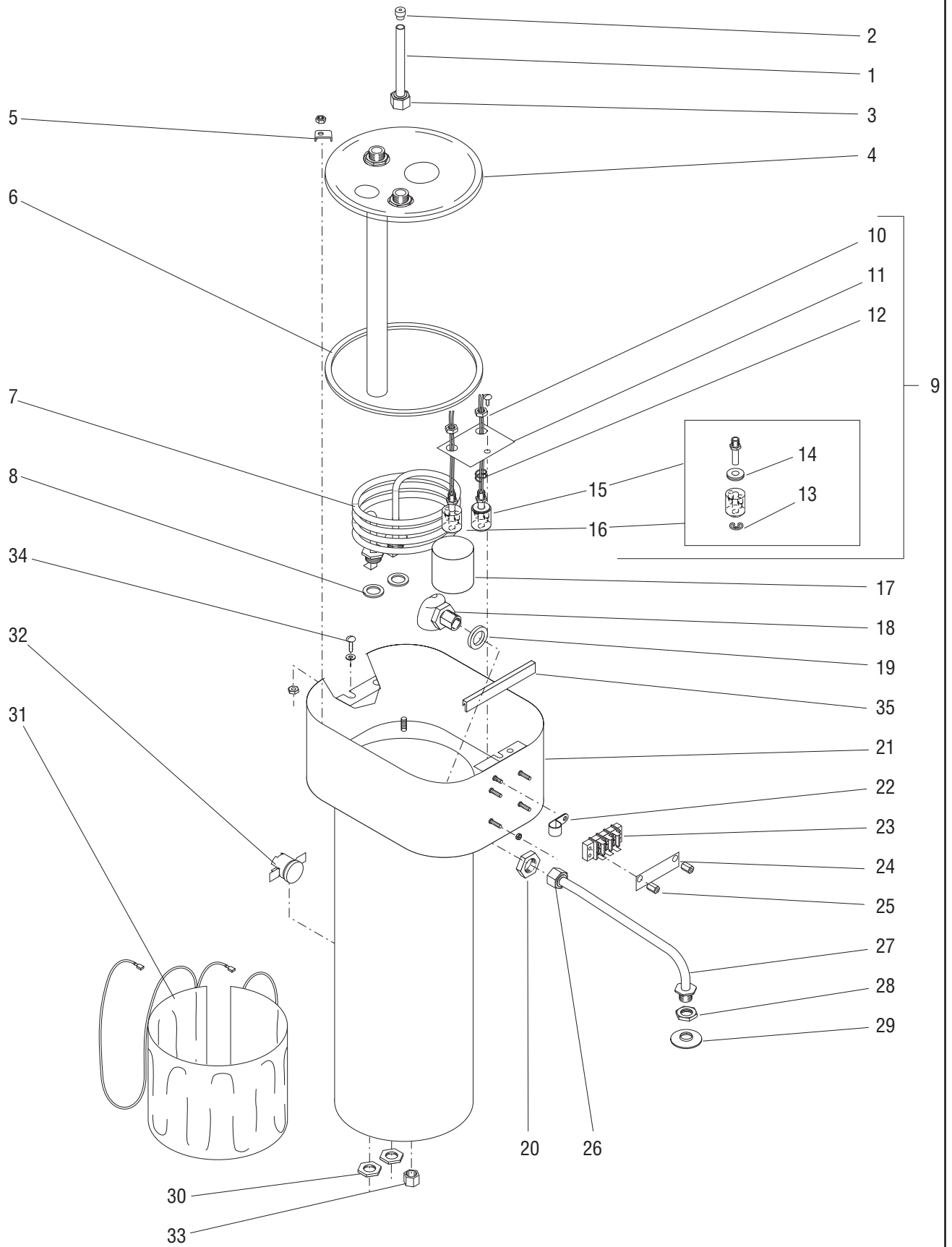
* Indicates the part number listed is for reference only. See DESCRIPTION for possible service replacement.



HOUSINGS & PANELS (Model RT)

ITEM	PART NO.	QTY.	DESCRIPTION
1	22428.1000	1	Cover w/Decals (Includes items 2 & 26)
	01320.0000	2	Screw, RND SLTD #8-32 x 1.0"
	01322.0000	1	Screw, RND SLTD #8-32 x 1.5"
	01516.0000	3	Washer, Nylon Retaining
2	00822.0000	1	Decal, Decorative Stripe
3	00406.0001	1	Connector
4	00917.0000	7	Fastener, "J" Type #8-32
5	05025.1000	1	Hood w/Decals (Includes items 3 thru 9)
	05025.1002	1	Hood w/Decals (Includes items 3 thru 9) (Model RTF or Models RT & OT with Faucet Conversion)
	01331.0000	2	Screw, RND SLTD #10-32 x .50" (Early models)
	00971.0000	4	Nut, KEPS #10-32
6	00875.0000	1	Decal, BUNN-O-MATIC
7	00658.0000	1	Decal, WARNING DECANter/FUNNEL
8	-----	1	Gasket, U-Channel 3.50" (Order item 27)
9	12364.0000	4	Decal, Caution - Warmers are Hot
10	00606.0000	1	Bushing
11	05027.1000	1	Housing w/Decal (Includes items 4,10 and 12)
	05027.0002*	1	Housing (Models w/ Master ON/OFF Switch)
12	00688.0000	1	Decal, HIGH HEAT (Models with High Heat Warmer)
13	05016.0000	1	Bracket, Right
	05017.0000	1	Bracket, Left
	02310.0000	2	Screw, Truss Head #10-32 x .50"
	00971.0000	2	Nut, KEPS #10-32
	01331.0000	2	Screw, RND SLTD #10-32 x .50"
	01512.0000	2	Lockwasher, External-tooth #10
14	22357.1002	1	Cover w/Decal (Includes items 15 & 26)
	01318.0000	4	Screw, RND SLTD #8-32 x .50"
	01516.0000	4	Washer, Nylon Retaining
15	10277.0000	1	Schematic, Electrical (Models without High Heat Warmer)
	32423.0000	1	Schematic, Electrical (Models with High Heat Warmer)
16	04970.0000	1	Chassis
	01311.0000	6	Screw, Truss Head #8-32 x .25"
	00978.0000	6	Fastener, Flat Type #8-32
17	05005.0000	1	Drip Tray
	01315.0000	2	Screw, Truss Head #8-32 x .375"
18	00754.0001	4	Foot/Locator
19	00751.0000	4	Spring
20	00752.0000	4	Cover
21	00774.0000	1	Decal, CAUTION-THERMOSTAT
22	22351.1000	1	Panel w/Decals (Includes item 23, 24 & 26)
	01320.0000	2	Screw, RND SLTD #8-32 x 1.0"
	01516.0000	2	Washer, Nylon Retainer
23	00831.0000	1	Decal, WARNING ELECTRICAL
24	00656.0000	1	Decal, COMPLIANCE TO PLUMBING CODE
25	32540.0000	1	Decal, Timer Setting Instructions (Models with Digital Timer)
26	37881.0000	2	Decal, No Serviceable Parts
27	02434.1000	-	Gasket, U-Channel 18.0" (Use as required)

* Indicates the part number listed is for reference only. See DESCRIPTION for possible service replacement.



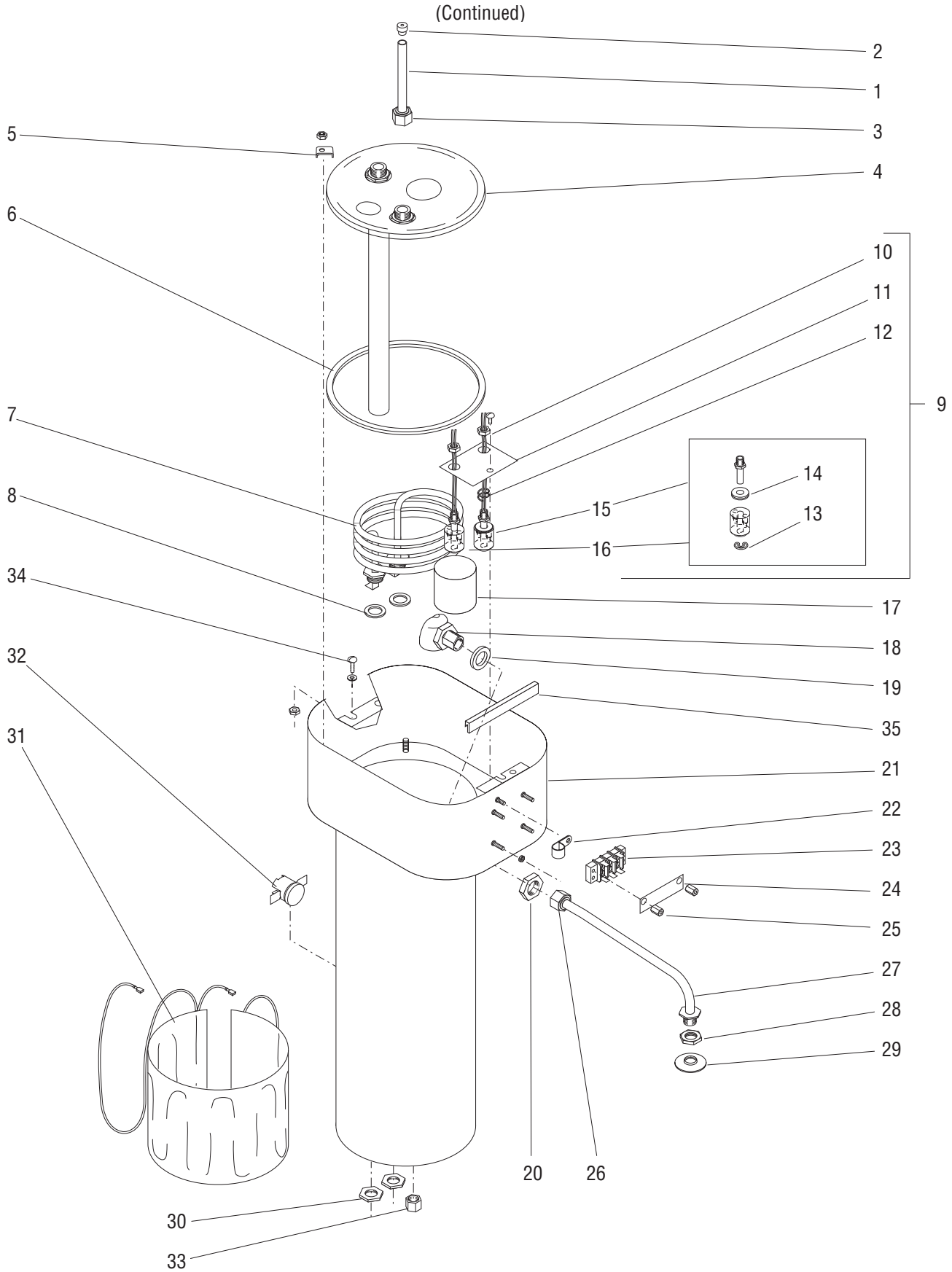
TANK & COMPONENTS (Models OL & RL)

ITEM	PART NO.	QTY.	DESCRIPTION
-	05033.1000	1	Tank Assy (1425W, 120V)(Includes items 1 thru 33)
	05032.1000	1	Tank Assy (1800W, 120V)(Includes items 1 thru 33)
	05038.0000	1	Tank Assy (3500W, 120/240V)(Includes items 1 thru 33)
	-----	1	Tank Assy (3500W, 230V)(Includes items 1 thru 33)
	-----	1	Tank Assy (2500W, 100V)(Includes items 1 thru 33)
	-----	1	Tank Assy (3500W, 200V)(Includes items 1 thru 33)
1	20768.0000	1	Tube Assy (Includes item 2)
2	03989.0000	1	Grommet
3	00929.0001	1	Fitting, Compression
4	05078.0000	1	Lid, Tank
5	02775.0000	4	Bracket, Hold Down
	00908.0000	4	Nut, Hex #8-32
6	02747.0000	1	Gasket, Tank Lid
7	02755.1000	1	Element, Tank Heater (1425W, 120V)(Includes item 8)
	02756.1000	1	Element, Tank Heater (1800W, 120V)(Includes item 8)
	05037.1000	1	Element, Tank Heater (3500W, 240V)(Includes item 8)
	05036.1000	1	Element, Tank Heater (2500W, 100V)(Includes item 8)
	20942.1000	1	Element, Tank Heater (3500W, 200V)(Includes item 8)
8	00943.0000	2	Gasket
9	05110.1000	1	Float Switch Assy (Includes items 10 thru 14)
	02308.0000	1	Screw, PNH SLTD #8-32 x .375"
10	00946.0000	2	Nut, Hex Brass .125-27
11	05084.0000	1	Bracket
12	05108.0000	1	Spring
13	03807.0000	1	Ring, Retaining
14	01527.0000	3	Washer, Adjusting
15	05106.0000	1	Float Switch (Includes items 13 & 14)
16	05106.0001	1	Float Switch (Includes item 13)
17	05082.0000	1	Overflow Cup
18	02713.0000	1	Syphon
19	02746.0000	1	Gasket
20	02745.0000	1	Nut
21	05039.0000	1	Tank
22	04831.0000	1	Clip
	00970.0000	2	Nut, KEPS #8-32

(Continued)

* Indicates the part number listed is for reference only. See DESCRIPTION for possible service replacement.

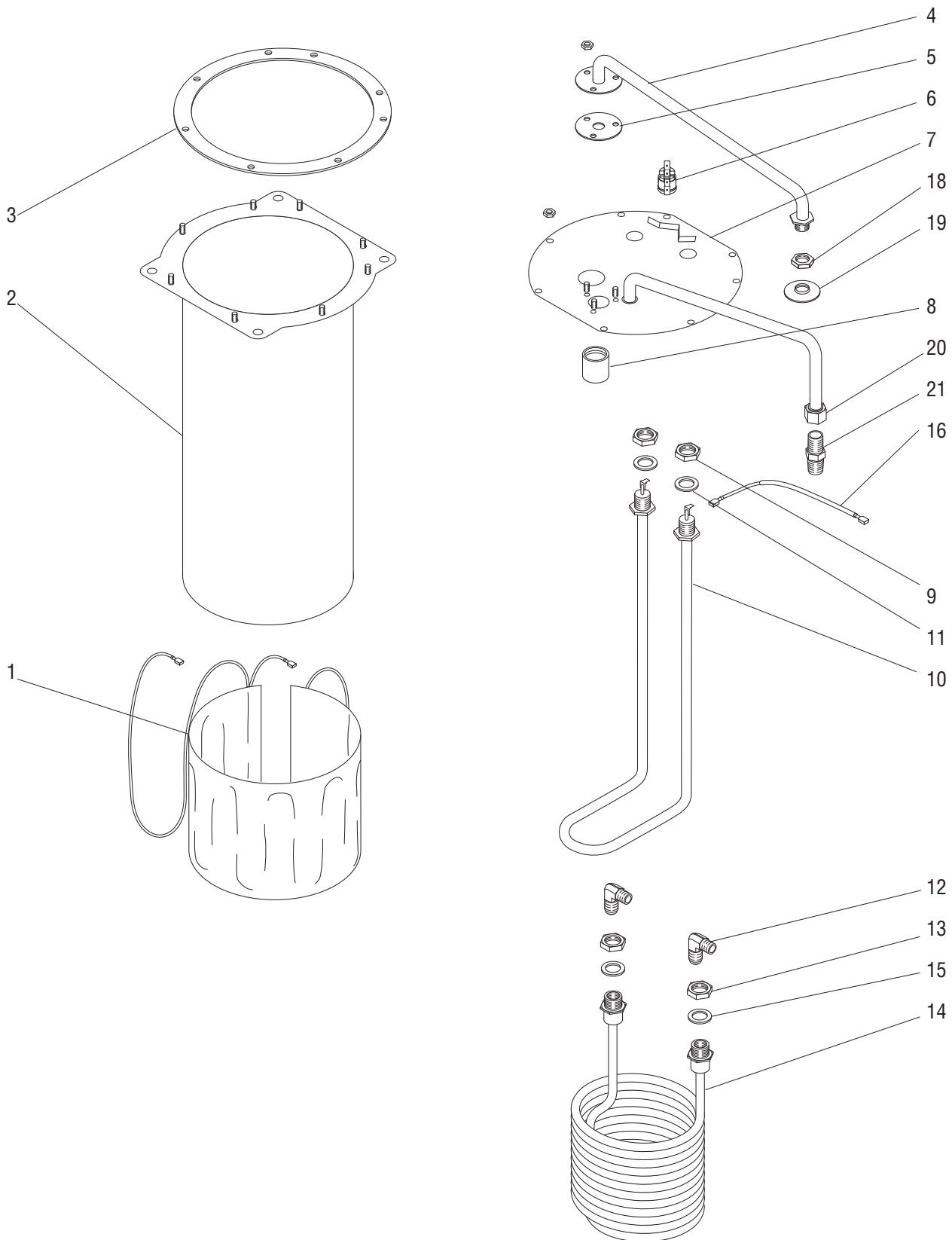
(Continued)



TANK & COMPONENTS (Models OL & RL)

ITEM	PART NO.	QTY.	DESCRIPTION
23	05067.0000	1	Terminal Block
24	05070.0000	1	Plate
	00970.0000	2	Nut, KEPS #8-32
25	00932.0000	2	Spacer
26	00929.0001	1	Fitting, Compression
27	05031.0000	1	Tube, Sprayhead (Includes item 26)
28	01075.0000	1	Nut, Sprayhead
29	01082.0000	1	Sprayhead
30	00942.0000	2	Nut
31	04626.0000	1	Blanket Heater (120V)
	01928.0000	1	Blanket Heater (240V)
32	29329.1000	1	Limit Thermostat
33	00935.0001	1	Cap
	24684.0000	1	Gasket, Copper
34	01370.0000	1	Screw, PNH SLTD #8-32 x .75"
	01522.0000	1	Washer
	00908.0000	1	Nut, Hex #8-32
35	-----	1	Gasket, U-Channel 3.50" (Order item 36)
36	02434.1000	-	Gasket, U-Channel 18.0" (Use As Required)

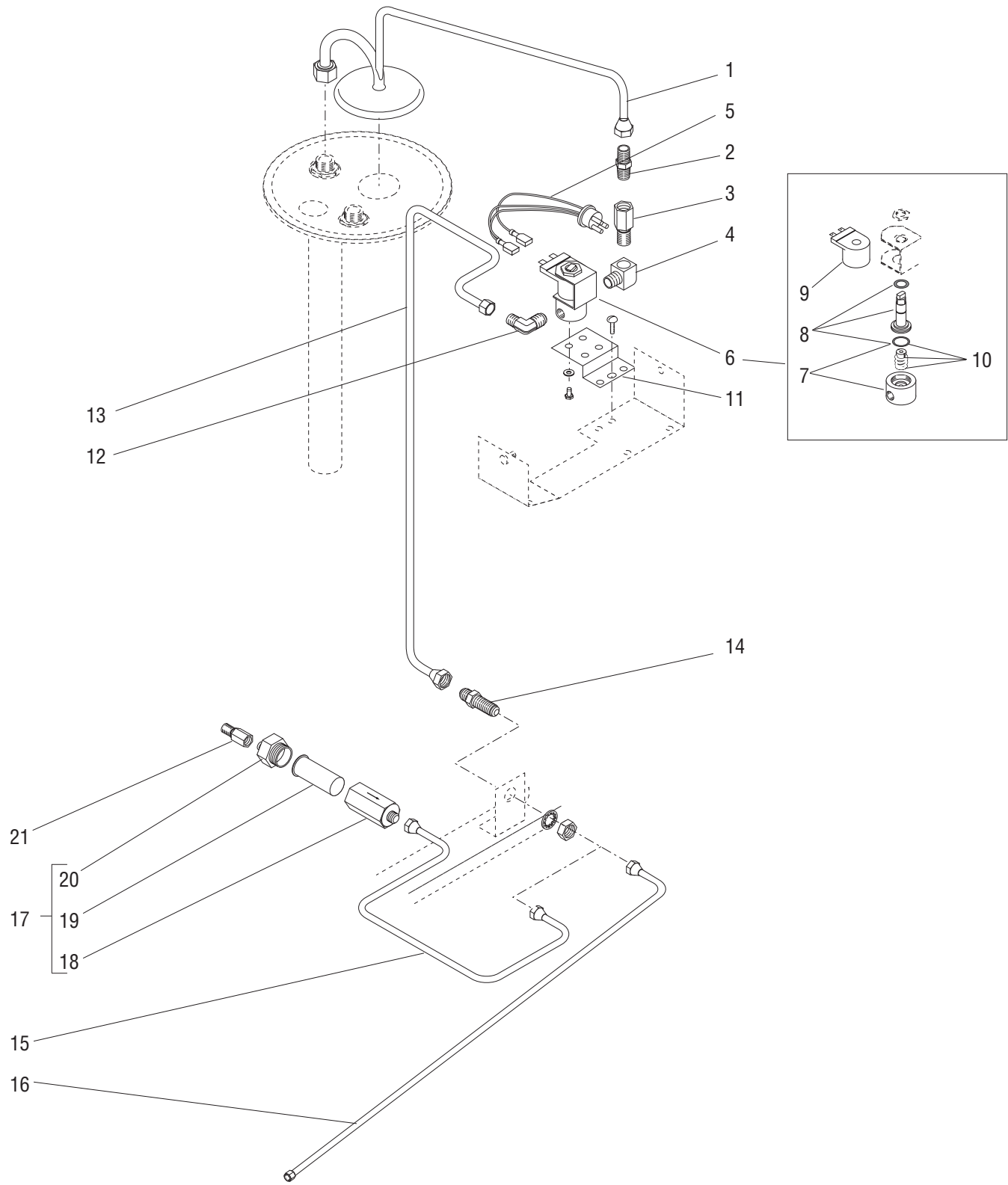
* Indicates the part number listed is for reference only. See DESCRIPTION for possible service replacement.



TANK & COMPONENTS (Models OT & RT)

ITEM	PART NO.	QTY.	DESCRIPTION
-	05682.1000	1	Tank Assy (1320W, 120V)(Includes items 1 thru 11)
	05683.1000	1	Tank Assy (1800W, 120V)(Includes items 1 thru 11)
	05684.0000	1	Tank Assy (3500W, 120/240V)(Includes items 1 thru 11)
	-----	1	Tank Assy (3500W, 240V)(Includes items 1 thru 11)
	-----	1	Tank Assy (Model RTF only)(3500W, 120/240V)(Includes items 1 thru 17)
1	04626.0000	1	Blanket Warmer (120V)
	04626.0001	1	Blanket Warmer (120V)(Models w/ Master ON/OFF Switch)
	01928.0000	1	Blanket Warmer (240V)
2	04129.0000	1	Tank
3	04221.0000	1	Gasket, Tank Lid
4	05553.0000	1	Tube Kit, Sprayhead (Includes items 5 and 8)
	00908.0000	3	Nut
5	05515.0000	1	Gasket
6	29329.1000	1	Limit Thermostat
7	05533.0000	1	Tank Lid
	05533.0002	1	Tank Lid (Model RTF or Models RT & OT with Faucet Conversion)
	00908.0000	8	Nut
8	05518.0000	1	Hub, Syphon
9	00942.0000	2	Nut
10	04236.1000	1	Element, Tank Heater (1320W, 120V)(Includes item 11)
	04636.1000	1	Element, Tank Heater (1800W, 120V)(Includes item 11)
	04637.1000	1	Element, Tank Heater (3500W, 120/240V)(Includes item 11)
11	00943.0000	2	Gasket
12	00400.0001	2	Fitting, Elbow (Model RTF or Models RT & OT with Faucet Conversion)
13	12687.0000	2	Nut (Model RTF or Models RT & OT with Faucet Conversion)
14	12689.1000	1	Coil Assy (Includes item 15) (Model RTF or Models RT & OT with Faucet Conversion)
15	12688.0000	2	Gasket (Model RTF or Models RT & OT with Faucet Conversion)
16	20211.0100	1	Thermal Fuse (Model RTF or Models RT & OT with Faucet Conversion)
17	21016.0122	1	Lead, Black 4.0" (Not Illustrated)(Model RTF or Models RT & OT with Faucet Conversion)
18	01075.0000	1	Nut, Sprayhead
19	01082.0000	1	Sprayhead
20	00929.0001	1	Fitting, Compression
21	00406.0001	1	Connector

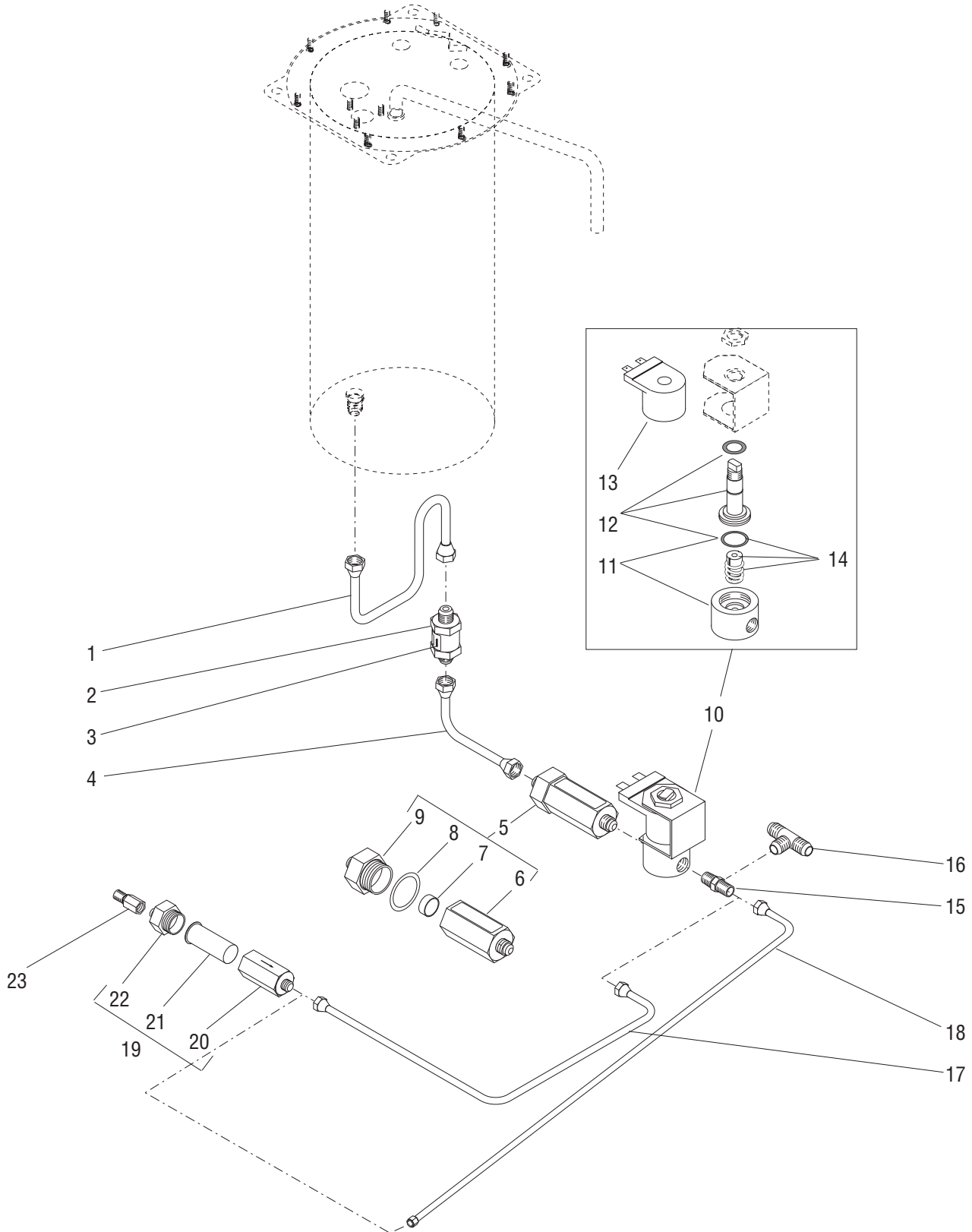
* Indicates the part number listed is for reference only. See DESCRIPTION for possible service replacement.



STRAINER (Models OL & RL)

ITEM	PART NO.	QTY.	DESCRIPTION
1	05096.0000	1	Tube, Fill Basin
2	00402.0001	1	Connector
3	00458.0001	1	Adapter
4	00432.0001	1	Elbow
5	03820.0000	1	Lead, Solenoid Jumper
6	-----	1	Solenoid, 120V, 1.48" Dia Coil (Not available, order 01085.0002)
	01085.0002	1	Solenoid, 120V, 1.00" Dia Coil (Includes items 7 thru 10)
	01975.0000	1	Solenoid, 240V (Includes items 7 thru 10)
	01138.0000	1	Solenoid, 100V (Includes items 7 thru 10)
	21180.0000	1	Solenoid, 200V (Includes items 7 thru 10)
	01327.0000	2	Screw, PNH PHH #10-32 x .375"
	01502.0000	2	Lockwasher, #10
7	-----	1	Solenoid Valve Base, 1.48" Dia Coil (Not available, order 01085.0002)
	28479.0000	1	Solenoid Valve Base Kit, 1.00" Dia Coil (Includes O-ring)
8	01116.0000	1	Guide, 1.48" Dia Coil
	28481.0000	1	Guide Kit, 1.0" Dia Coil (Includes Washer and O-ring)
9	01101.0000	1	Solenoid Valve Coil, 120V, 1.48" Dia Coil
	28480.0000	1	Solenoid Valve Coil, 120V, 1.00" Dia Coil
	21181.0000	1	Solenoid Valve Coil, 200V
	01100.0000	1	Solenoid Valve Coil, 240V
	01139.0000*	1	Solenoid Valve Coil, 100V
10	01111.0000	1	Solenoid Valve Repair Kit, 1.48" Dia Coil (Includes Plunger, Seal and Spring)
	01111.0002	1	Solenoid Valve Repair Kit, 1.00" Dia Coil (Includes Plunger, Spring and O-ring)
11	20201.4300	1	Bracket
	02308.0000	1	Screw, PNH SLTD #8-32 x .375"
12	00465.0001	1	Elbow
13	05119.0000	1	Tube
14	00459.0001	1	Fitting, Bulkhead
	01532.0000	1	Lockwasher, Internal-tooth .438"
	00463.0000	1	Nut, Hex .438-20"
15	01119.0000	1	Tube (Model OL-15 only)
16	01104.0000	1	Tube
17	23820.1000	1	Strainer (Includes items 18 thru 20)
18	-----	1	Body (Order item 17)
19	23721.0000	1	Screen
20	22249.0000	1	Cap, End
21	22293.0000	1	Adapter (Model OL-15 only)

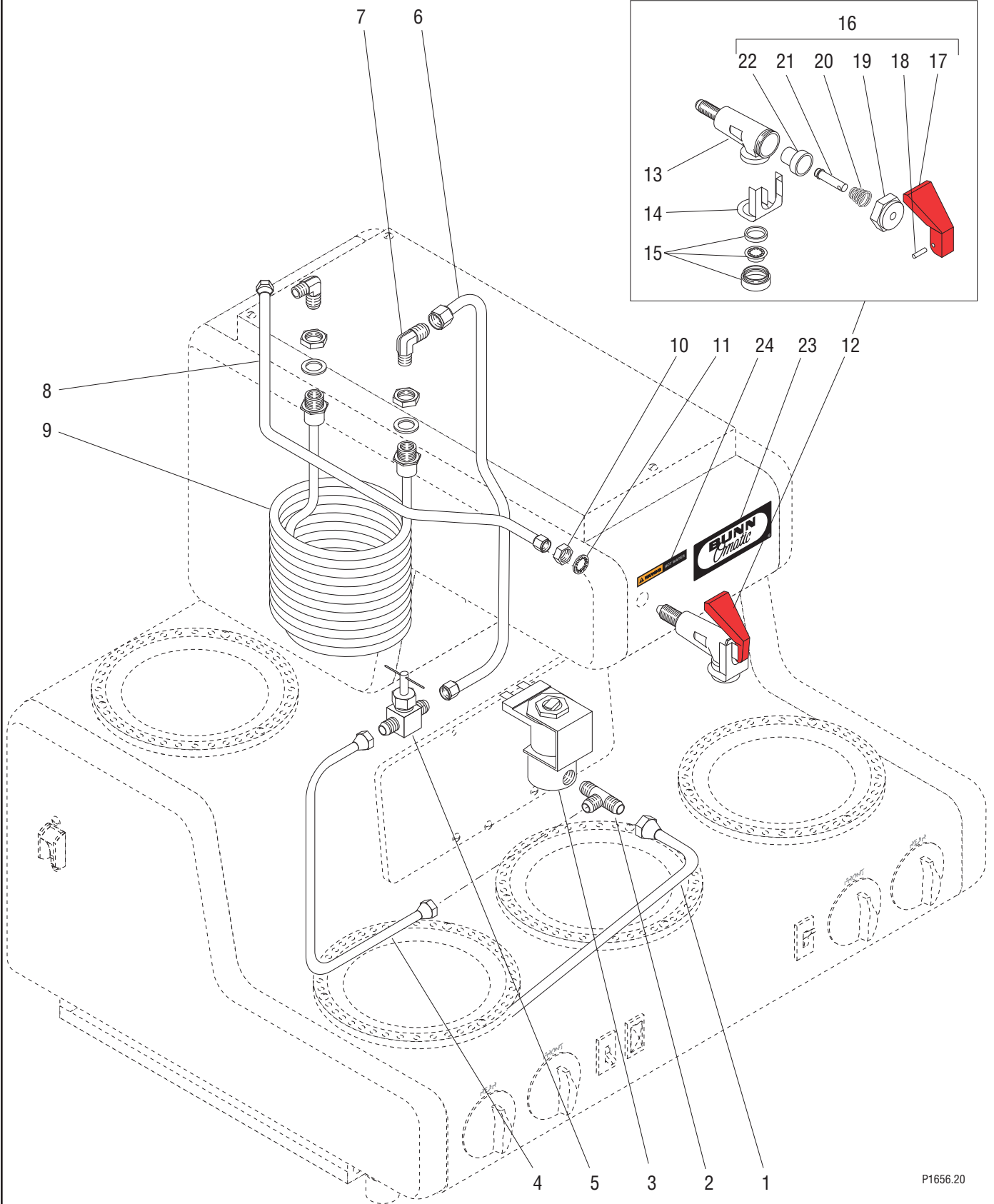
* Indicates the part number listed is for reference only. See DESCRIPTION for possible service replacement.



STRAINER/FLOW CONTROL (Models OT & RT)

ITEM	PART NO.	QTY.	DESCRIPTION
1	00305.0000	1	Tube
2	01171.0001	1	Check Valve (Includes item 3)
3	20554.0001*	1	Decal, Check Valve
4	00310.0002	1	Tube
	00310.0000	1	Tube (For use with 240V solenoid)
5	20528.1195	1	Flow Control, .195 GPM (Includes items 6 thru 9)
6	-----	1	Body (Order item 5)
7	20526.1195	1	Valve, Flow Control
8	01155.0000	1	Gasket, Flow Control
9	01154.0001	1	Outlet, Flow Control
10	-----	1	Solenoid, 120V, 1.48" Dia Coil (Not available, order 01085.0002)
	01085.0002	1	Solenoid, 120V, 1.00" Dia Coil (Includes items 11 thru 14)
	01975.0000	1	Solenoid, 240V (Includes items 11 thru 14)
	21180.0000	1	Solenoid, 200V (Includes items 11 thru 14)
	01326.0000	2	Screw, PNH PHH #10-32 x .25"
	01512.0000	2	Lockwasher, External-tooth #10
11	-----	1	Solenoid Valve Base, 1.48" Dia Coil (Not available, order 01085.0002)
	28479.0000	1	Solenoid Valve Base Kit, 1.00" Dia Coil (Includes O-ring)
12	01116.0000	1	Guide, 1.48" Dia Coil
	28481.0000	1	Guide Kit, 1.0" Dia Coil (Includes Washer and O-ring)
13	01101.0000	1	Solenoid Valve Coil, 120V, 1.48" Dia Coil
	28480.0000	1	Solenoid Valve Coil, 120V, 1.00" Dia Coil
	21181.0000	1	Solenoid Valve Coil, 200V
	01100.0000	1	Solenoid Valve Coil, 240V
14	01111.0000	1	Solenoid Valve Repair Kit, 1.48" Dia Coil (Includes Plunger, Seal and Spring)
	01111.0002	1	Solenoid Valve Repair Kit, 1.00" Dia Coil (Includes Plunger, Spring and O-ring)
15	00402.0001	1	Connector
16	00398.0002	1	Tee (Model RTF only)
17	01117.0000	1	Tube (Model OT-15 only)
18	01104.0000	1	Tube
19	23820.1000	1	Strainer (Includes items 20 thru 22)
20	-----	1	Body (Order item 17)
21	23721.0000	1	Screen
22	22249.0000	1	Cap, End
23	22293.0000	1	Adapter (Model OT-15 only)

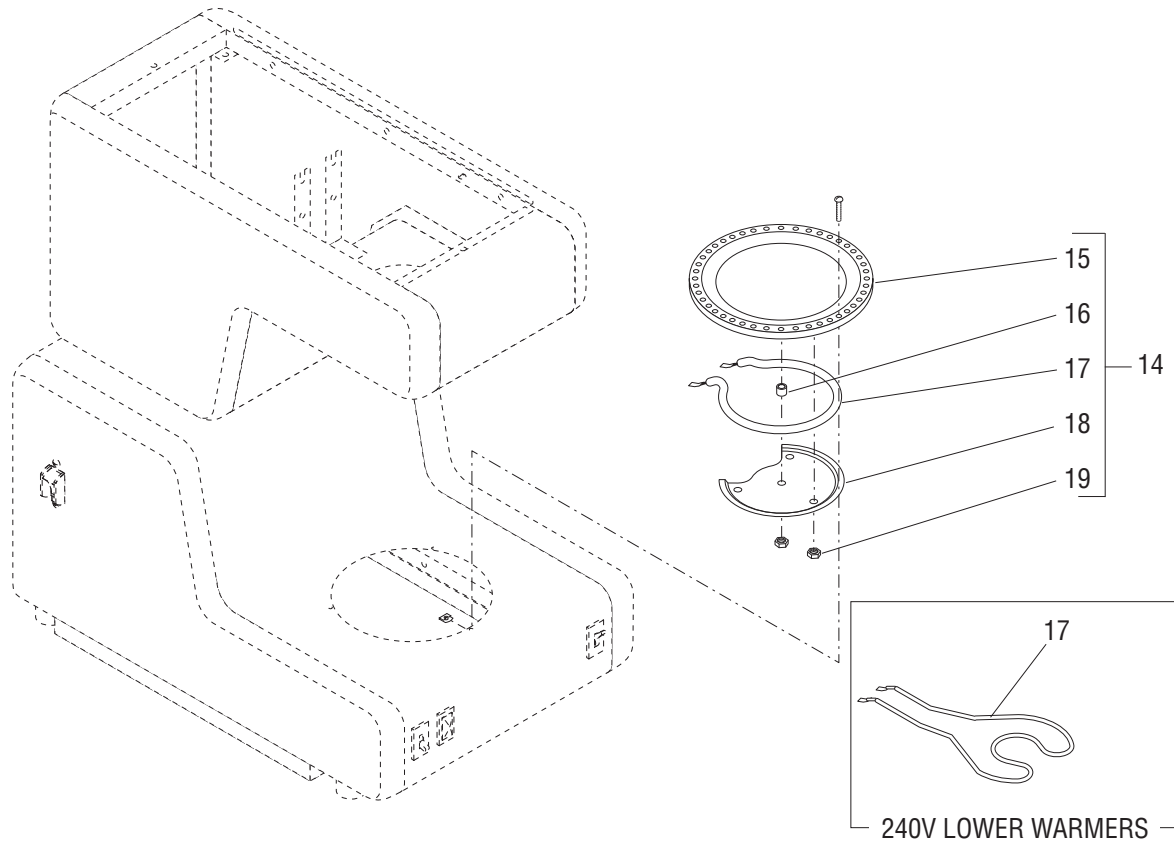
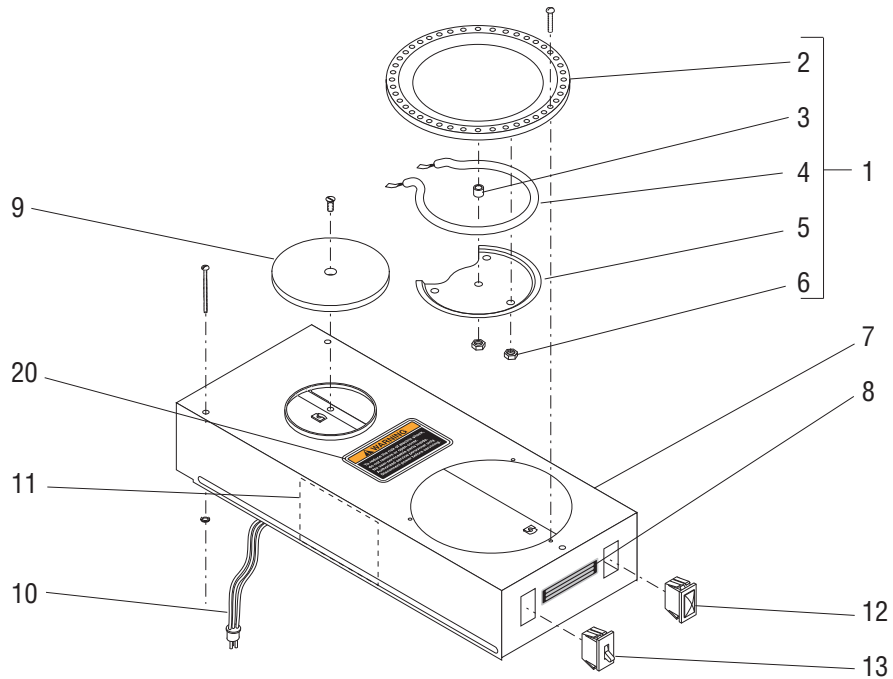
* Indicates the part number listed is for reference only. See DESCRIPTION for possible service replacement.



FAUCET & TUBING(Models RTF & RT & OT with Faucet Conversion)

ITEM	PART NO.	QTY.	DESCRIPTION
1	-----	1	Tube (See STRAINER/FLOW CONTROL)
2	00398.0002	1	Tee
3	-----	1	Solenoid (See STRAINER/FLOW CONTROL)
4	22456.0000	1	Tube (Includes items 5 & 6)
5	00484.0001	1	Valve, Needle
6	20726.0000*	1	Tube (Order item 4)
7	00402.0001	2	Elbow
8	20747.0000	1	Tube
9	-----	1	Coil Assy (See TANK & COMPONENTS)
10	13059.0000	1	Nut
11	01532.0000	1	Lockwasher, Internal-tooth .438"
12	12915.0000	1	Faucet Assy (Includes items 13 thru 22)
13	-----	1	Body (Order item 12)
14	13057.0000	1	Clip, Safety
15	13058.0000	1	Aerator Kit
16	13061.0000	1	Handle/Stem Assy (Includes items 17 thru 22)
17	13053.0000	1	Handle Kit (Includes item 18)
18	02858.0000	1	Pin, Spring .125" Dia x .50"
19	13060.0000	1	Bonnet Nut
20	13055.0000	1	Spring
21	13054.0000	1	Stem
22	13056.0000	1	Seat Cup
23	00875.0000	1	Decal, BUNN-O-MATIC
24	20201.5600	1	Decal, WARNING HOT WATER

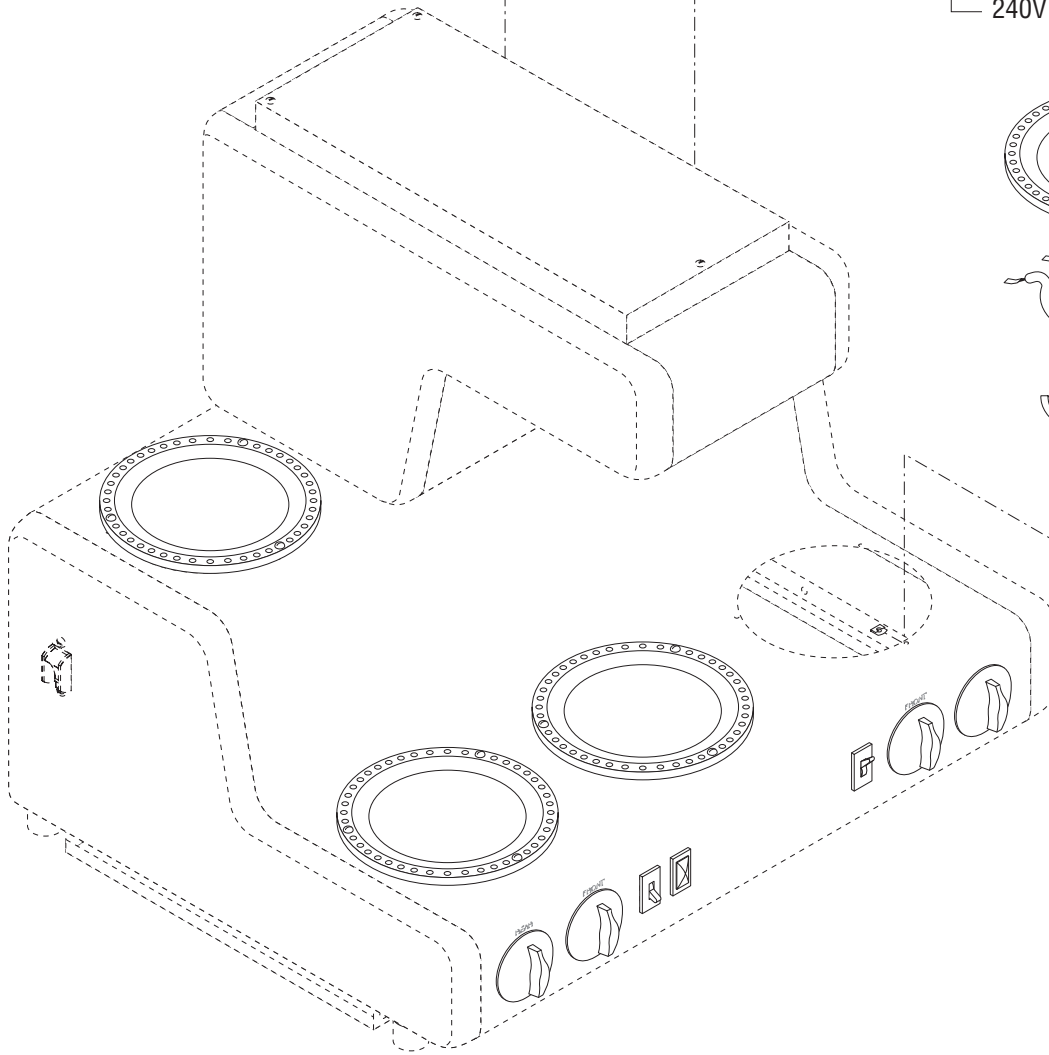
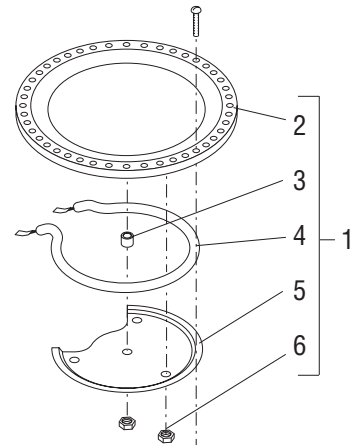
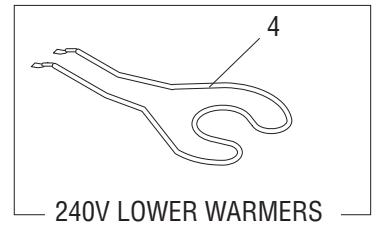
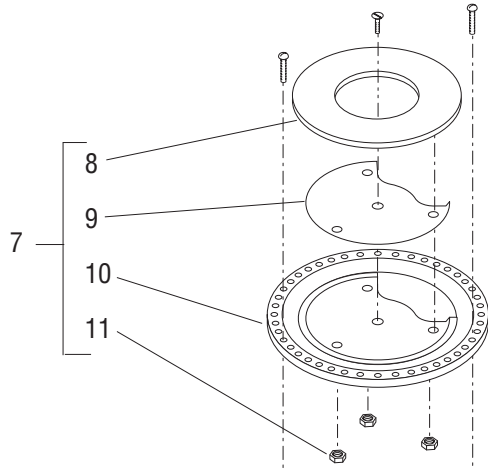
* Indicates the part number listed is for reference only. See DESCRIPTION for possible service replacement.



WARMER ASSEMBLIES (Models OL & OT)

ITEM	PART NO.	QTY.	DESCRIPTION
-	03810.1000	1	Warmer Housing Assy (Model OL)(Includes items 1 thru 13)
-	00225.1001	1	Warmer Housing Assy (Model OT)(Includes items 1 thru8, 10, 12 & 13)
1	03652.0000	1	Warmer Assy, 100W/120V (Includes items 2 thru 6)
	02817.0000	1	Warmer Assy, 240V (Includes items 2 thru 6)
	11440.0011	1	Warmer Assy, 200V (Includes items 2 thru 6)
	01303.0000	3	Screw, PNH PHH #4-40 x .50"
	00916.0000	3	Fastener, "J" Type #4-40
2	03656.0000	1	Dish
3	13042.0001	1	Spacer
4	01227.0000	1	Element (100W/120V)
	01951.0000	1	Element (100W/240V)
	01951.0001	1	Element (100W/200V)
5	05212.0000	1	Plate
6	00970.0000	2	Nut
7	03813.0000*	1	Housing, Top Warmer (Model OL)
	05717.0000	1	Housing, Top Warmer (Model OT)
	01323.0000	3	Screw, #8-32 x 2.5" (Model OL)
	01371.0000	3	Screw, #8-32 x 4.0" (Model OT)
	01516.0000	3	Washer, Nylon Retaining
8	00804.0000	1	Decal, Decorative Stripe
9	01189.0000	1	Lid, Pour Over (Model OL only)
	01377.0000	1	Screw, FLH SLTD #8-32 x .75"
	00912.0000	1	Fastener, "J" Type #8-32
10	01860.0000	1	Harness, Top Warmer (120V)
	01860.0001*	1	Harness, Top Warmer (240V)
11	10007.0000*	1	Schematic, Electrical (Model OL only)
12	01088.0000	1	Lamp (120V)
	01089.0000	1	Lamp (240V)
13	01186.0000	1	Switch, ON/OFF
14	03697.0000	1	Warmer Assy, 100W/120V (Includes items 15 thru 19)
	02817.0000	1	Warmer Assy, 100W/240V (Includes items 15 thru 19)
	01303.0000	3	Screw, PNH PHH #4-40 x .50"
	00916.0000	3	Fastener, "J" Type #4-40
15	03656.0000	1	Dish
16	13042.0001	1	Spacer (120V only)
17	01143.0000	1	Element (100W/120V)
	01951.0000	1	Element (100W/240V)
18	05212.0000	1	Plate
19	00970.0000	2	Nut
20	37881.0000	1	Decal, No Serviceable Parts

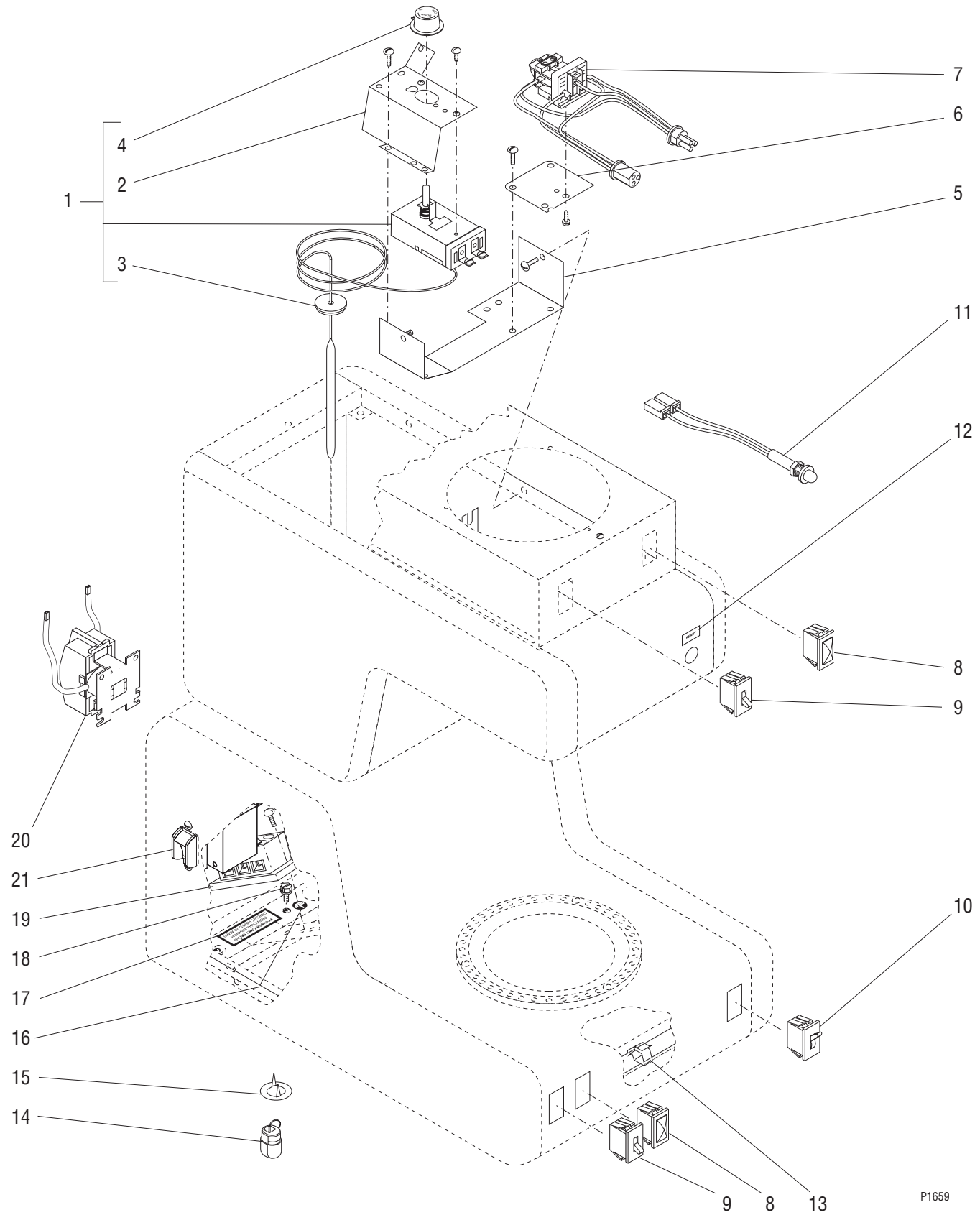
* Indicates the part number listed is for reference only. See DESCRIPTION for possible service replacement.



WARMER ASSEMBLIES (Models RL & RT)

ITEM	PART NO.	QTY.	DESCRIPTION	
1	03697.0000	5	Warmer Assy, 100W/120V (Includes items 2 thru 6)	} Models with High Heat Warmers
	02817.0000	5	Warmer Assy, 240V (Includes items 2 thru 6)	
	01303.0000	16	Screw, PNH PHH #4-40 x .50"	
	01304.0000	1	Screw, PNH PHH #4-40 x .75"	
	00916.0000	17	Fastener, "J" Type #4-40	
2	03656.0000	1	Dish	
3	13042.0001	1	Spacer (120V only)	
4	01143.0000	1	Element (100W/120V)	
	01951.0000	1	Element (100W/240V)	
5	05212.0000	1	Plate	
6	00970.0000	2	Nut	
7	03311.0000	1	Warmer Assy, High Heat 120V (Includes items 8 thru 11)	
	-----	1	Warmer Assy, High Heat 240V (Includes items 8 thru 11)	
	01303.0000	3	Screw, PNH PHH #4-40 x .50"	
	00916.0000	3	Fastener, "J" Type #4-40	
8	01161.0000	1	Element, 120V (Includes hardware below)	
	01907.0000	1	Element, 240V (Includes hardware below)	
	01503.0000	3	Washer	
	00910.0000	3	Nut, Hex #10-32	
9	01198.0000	1	Plate, Retainer	
	01332.0000	1	Screw, PNH SLTD #10 x .50"	
10	01197.0000	1	Dish	
11	00909.0000	3	Nut, Brass #10-32	

* Indicates the part number listed is for reference only. See DESCRIPTION for possible service replacement.



P1659

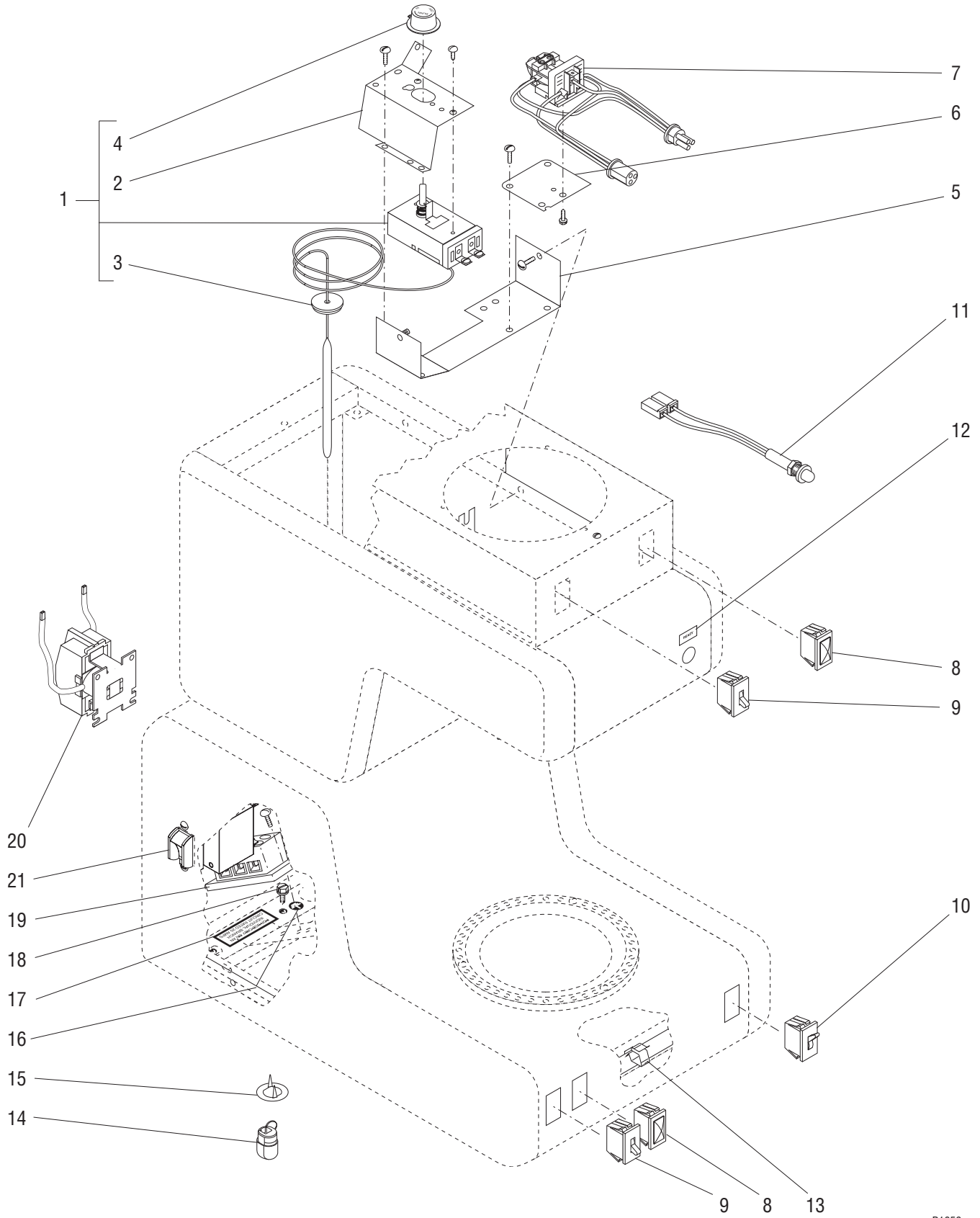
ELECTRICAL & OPERATING CONTROLS (Model OL)

ITEM	PART NO.	QTY.	DESCRIPTION
1	04314.0001	1	Thermostat Assy (Includes items 2 thru 4)
	02328.0003	1	Screw, PNH SLTD #6-32 x .312"
2	20771.0001	1	Bracket
	01315.0000	2	Screw, TRH PHH #8-32 x .375"
3	07073.1000	1	Grommet
4	00720.0000	1	Knob
5	05089.0000	1	Bracket, Component Mounting
	01315.0000	1	Screw, TRH PHH #8-32 x .375"
6	05000.0000	1	Plate
	02308.0000	2	Screw, PNH SLTD #8-32 x .375"
7	02056.1000	1	Relay (120V)
	01977.0000	1	Relay (240V)
	02328.0000	1	Screw, PNH SLTD #6-32 x .375"
8	01088.0000	2	Lamp (120V)
	01089.0000	2	Lamp (240V)
9	01186.0000	2	Switch, ON/OFF
10	01061.0000	1	Switch, MOMENTARY START
11	12984.0004	1	Lamp Assy, Ready (Model OL35B only)
12	20749.0000	1	Decal, READY (Model OL35B only)
13	00927.0000	1	Clip, Cable
14	01666.0000	1	Bushing, Strain Relief (Model OL15 only)
15	00715.0000	1	Washer, Strain Relief (Model OL15 only)
16	00824.0000	1	Decal, Grounding
17	00985.0000	1	Decal, INDIVIDUAL CIRCUIT INFO (Not Applicable to model OL15)
18	01309.0000	1	Screw, Harness Grounding
19	01106.0001	1	Terminal Block, 2-pole RED/BLK
	01106.0000	1	Terminal Block, 2-pole WHT/BLK
	07038.0000	1	Terminal Block, 3-pole RED/WHT/BLK
	01317.0000	2	Screw, TRH PHH #8-32 x .50"
20	06335.1004	1	Contactor (Model OL25B only)
	01331.0000	2	Screw, RND SLTD #10-32 x .50"
21	38894.0001	1	Switch, Master ON/OFF
	01308.0002	2	Screw, Truss Head, Locking #6-32 x .25" (Mounting)
	01327.0000	4	Screw, Pan Head #10-32 x .38" (Terminals)
	01512.0000	4	Lockwasher, Ext.-tooth #10

(Continued)

* Indicates the part number listed is for reference only. See DESCRIPTION for possible service replacement.

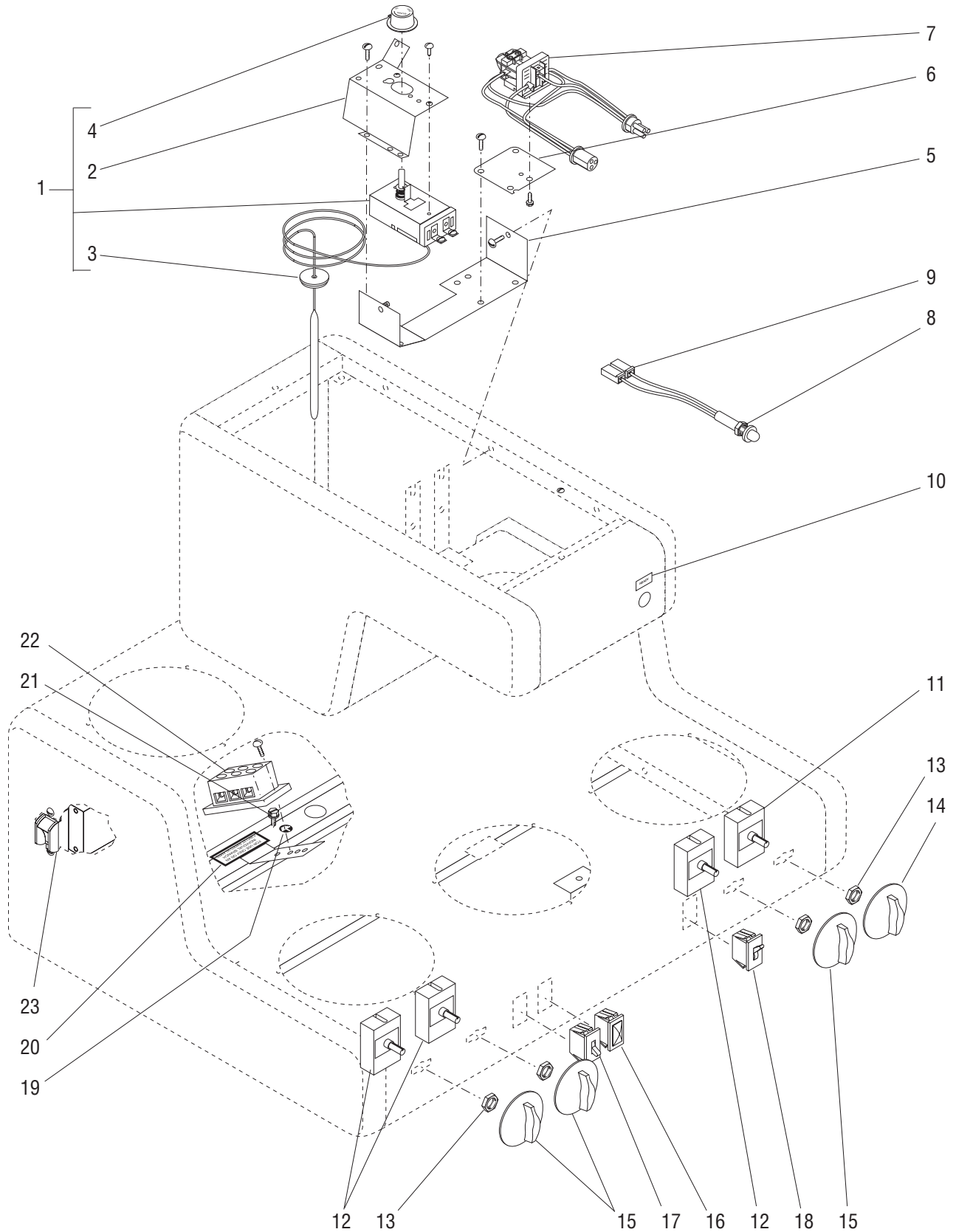
(Continued)



ELECTRICAL & OPERATING CONTROLS (Model OL)

ITEM	PART NO.	QTY.	DESCRIPTION
The following items are not illustrated			
22	01860.0000	1	Harness, Top Warmer, 120V
	01860.0001	1	Harness, Top Warmer, 240V
23	04513.0000	1	Power Cord (OL15 only)
24	06064.0000	1	Decal, Cord Warning (OL15 only)
25	03820.0000	1	Lead, Solenoid Jumper
26	21016.0028	1	Lead, BLK 27.0"
27	21016.0029	1	Lead, BLU/BLK 23.0"
28	05116.0000	1	Harness, Main (Models OL15 & 20)
	05116.0001	1	Harness, Main (Models OL15 & 20)(Models w/ Master ON/OFF Switch)
	05112.0000	1	Harness, Main (Model OL35)
	05112.0001	1	Harness, Main (Model OL35)(Models w/ Master ON/OFF Switch)
	05118.0000	1	Harness, Main (Model OL35A)
	22399.0000	1	Harness, Main (Model OL25B)
29	21016.0011	1	Lead, GRN/YEL 15.0" (Model OL35A)
30	21016.0027	1	Lead, GRN/YEL 26.0" (Model OL35A)
31	21016.0007	1	Lead, BLU/BLK 23.0" (Model OL35B)
32	21016.0155	1	Lead, BLK 27.0" (Model OL35B)
33	22362.0000	1	Harness, Ready Light (Model OL35B)
34	04243.0000	2	Terminal Housing (Model OL35B)
35	21012.0062*	1	Lead, BLK 10.0" (Model OL25B)
36	21012.0064*	1	Lead, BLK 10.0" (Model OL25B)
37	21012.0066	1	Lead, WHT 9.0" (Model OL25B)
38	21012.0067	1	Lead, WHT 9.0" (Model OL25B)
39	22356.0000	1	Lamp Assy, Ready (Model OL25B)
40	04243.0000	2	Terminal Housing (Model OL25B)
41	38920.0000	1	Harness, Wiring, Master ON/OFF Switch

* Indicates the part number listed is for reference only. See DESCRIPTION for possible service replacement.



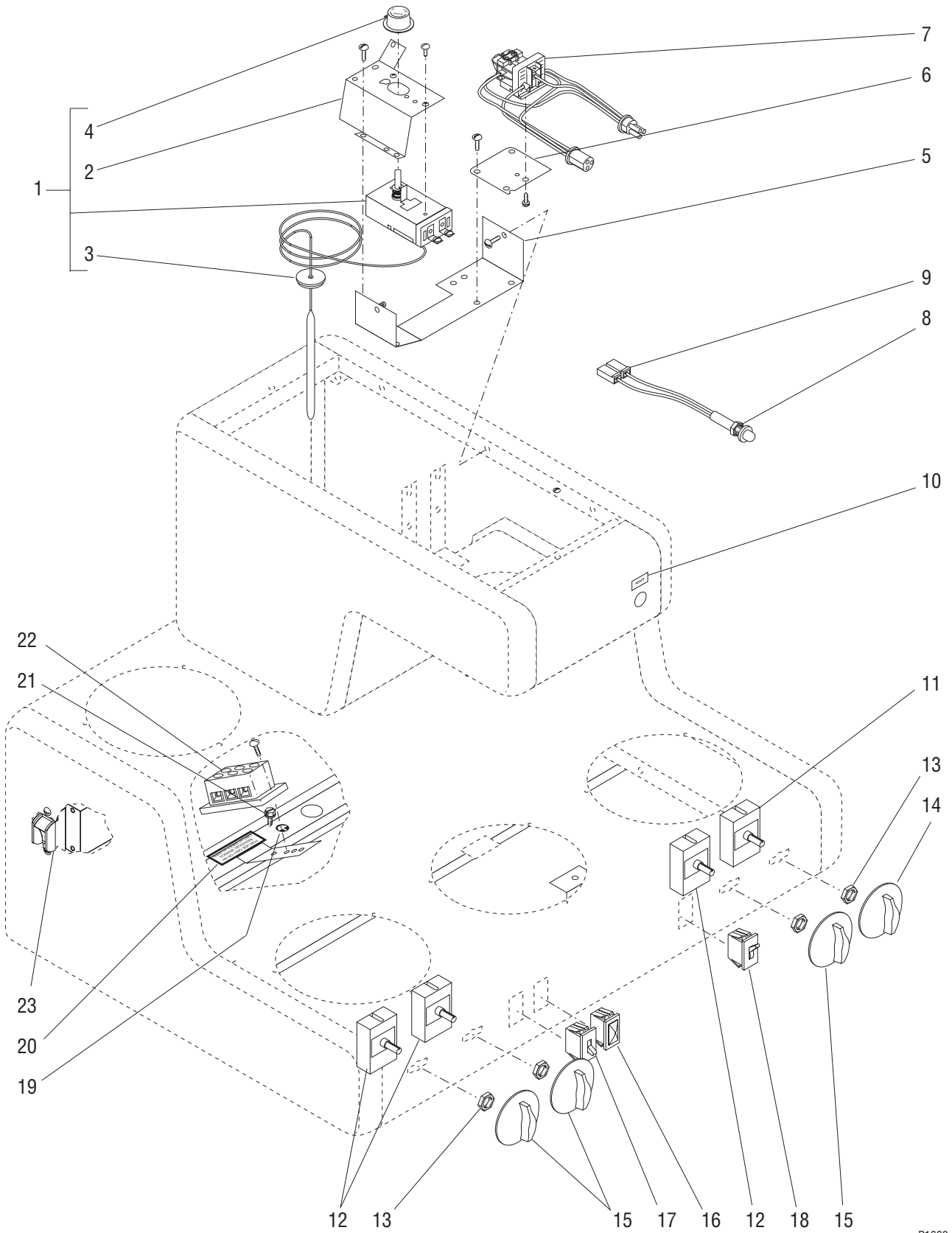
ELECTRICAL & OPERATING CONTROLS (Model RL)

ITEM	PART NO.	QTY.	DESCRIPTION
1	04314.0001	1	Thermostat Assy (Includes items 2 thru 4)
	02328.0003	1	Screw, PNH SLTD #6-32 x .312"
2	20771.0001	1	Bracket
	02308.0000	2	Screw, PHH SLTD w/serr #8-32 x .38"
3	07073.1000	1	Grommet
4	00720.0000	1	Knob
5	05089.0000	1	Bracket, Component Mounting
	01315.0000	1	Screw, TRH PHH #8-32 x .375"
6	05000.0000	1	Plate
	02308.0000	2	Screw, PHH SLTD w/serr #8-32 x .38"
7	02056.1000	1	Relay (120V)
	01977.0000	1	Relay (240V)
	02328.0000	1	Screw, PNH SLTD #6-32 x .375"
8	12984.0004	1	Lamp Assy, Ready (Model RL35B only)
9	04243.0000	2	Terminal Housing (Model RL35B only)
10	20749.0000	1	Decal, READY (Model RL35B only)
11	01053.1000	1	Switch, Rotary OFF/LO/MED/HI (Models with High Heat Warmer)
12	01052.0000	5	Switch, Rotary ON/OFF (One less used on models with High Heat Warmer)
13	00990.0000	5	Nut, Hex .375-24"
14	01055.0000	1	Knob, OFF/LO/MED/HI (Models with High Heat Warmer)
15	01054.0000	5	Knob, ON/OFF (One less used on models with High Heat Warmer)
16	01088.0000	1	Lamp (120V)
	01089.0000	1	Lamp (240V)
17	01186.0000	1	Switch, ON/OFF
18	01061.0000	1	Switch, MOMENTARY START
19	00824.0000	1	Decal, Grounding
20	00985.0000	1	Decal, INDIVIDUAL CIRCUIT INFO
21	01309.0000	1	Screw, Harness Grounding
22	01106.0001	1	Terminal Block, 2-pole RED/BLK
	01106.0000	1	Terminal Block, 2-pole WHT/BLK
	07038.0000	1	Terminal Block, 3-pole RED/WHT/BLK
	01317.0000	2	Screw, TRH PHH #8-32 x .50"
23	38894.0001	1	Switch, Master ON/OFF
	01308.0002	2	Screw, Truss Head, Locking #6-32 x .25" (Mounting)
	01327.0000	4	Screw, Pan Head #10-32 x .38" (Terminals)
	01512.0000	4	Lockwasher, Ext.-tooth #10

(Continued)

* Indicates the part number listed is for reference only. See DESCRIPTION for possible service replacement.

(Continued)

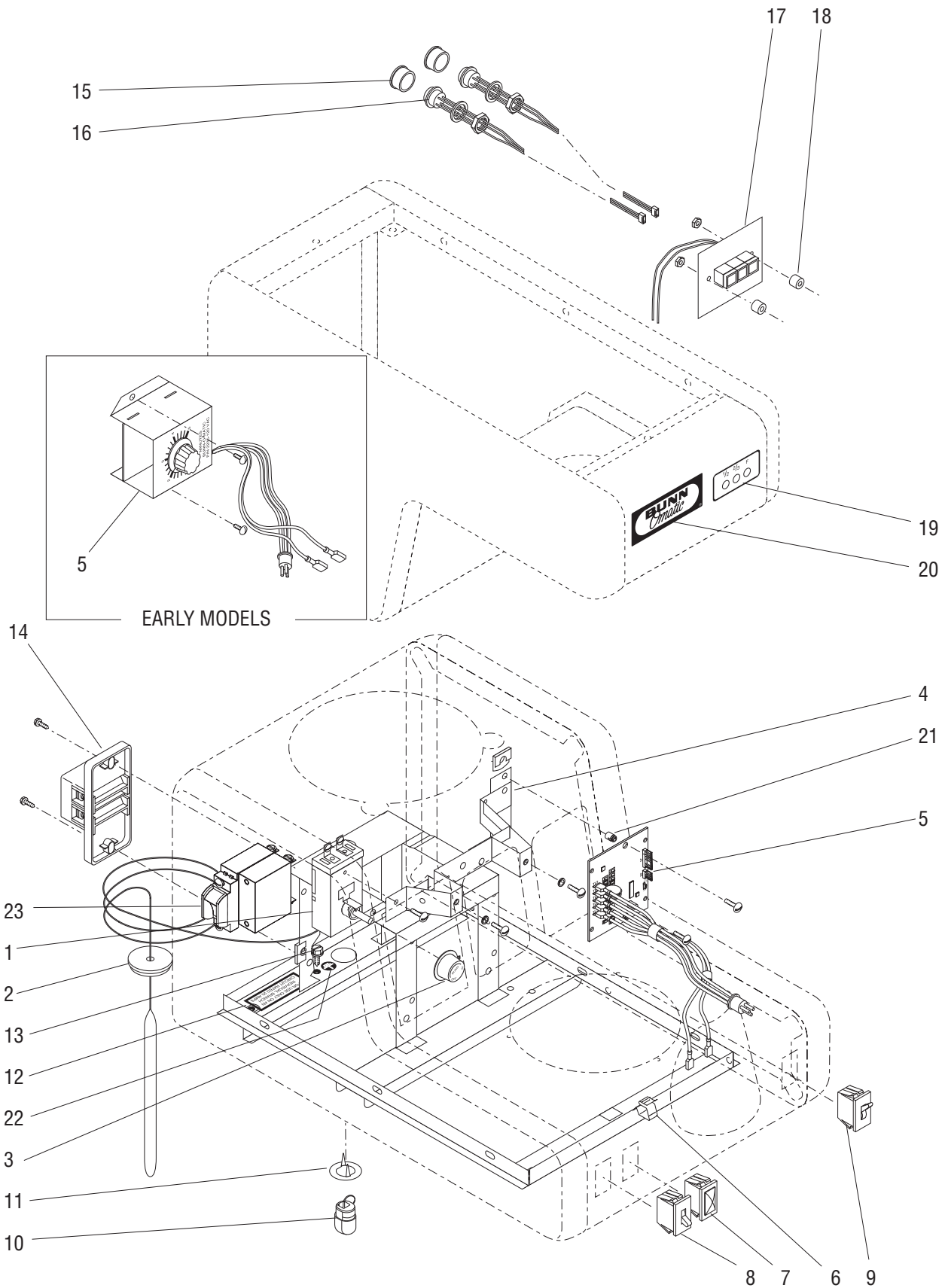


P1660

ELECTRICAL & OPERATING CONTROLS (Model RL)

ITEM	PART NO.	QTY.	DESCRIPTION
The following items are not illustrated			
24	05113.0000	1	Harness, Main (Model RL)(Models w/ High Heat Warmer)
	22360.0000	1	Harness, Main (Model RL)(Models w/oHigh Heat Warmer)
	22360.0002	1	Harness, Main (Model RL)(Models w/oHigh Heat Warmer)(Models w/ Master ON/OFF Switch)
	05117.0000*	1	Harness, Main (Models RLA & RLB)(Models with High Heat Warmer)
	05117.0002	1	Harness, Main (Models RLA & RLB)(Models without High Heat Warmer)
25	21016.0028	1	Lead, BLK 27.0"
26	21016.0029	1	Lead, BLU/BLK 23.0"
27	03820.0000	1	Lead, Solenoid Jumper
28	22354.0000	1	Wire, Ground (Model RLA)
29	22362.0000	1	Harness, Ready Light (Model RL35B)
30	21016.0155	1	Lead, BLK 27.0"
31	21016.0007	1	Lead, BLU/BLK 23.0"
32	38920.0000	1	Harness, Wiring, Master ON/OFF Switch

* Indicates the part number listed is for reference only. See DESCRIPTION for possible service replacement.



P1661

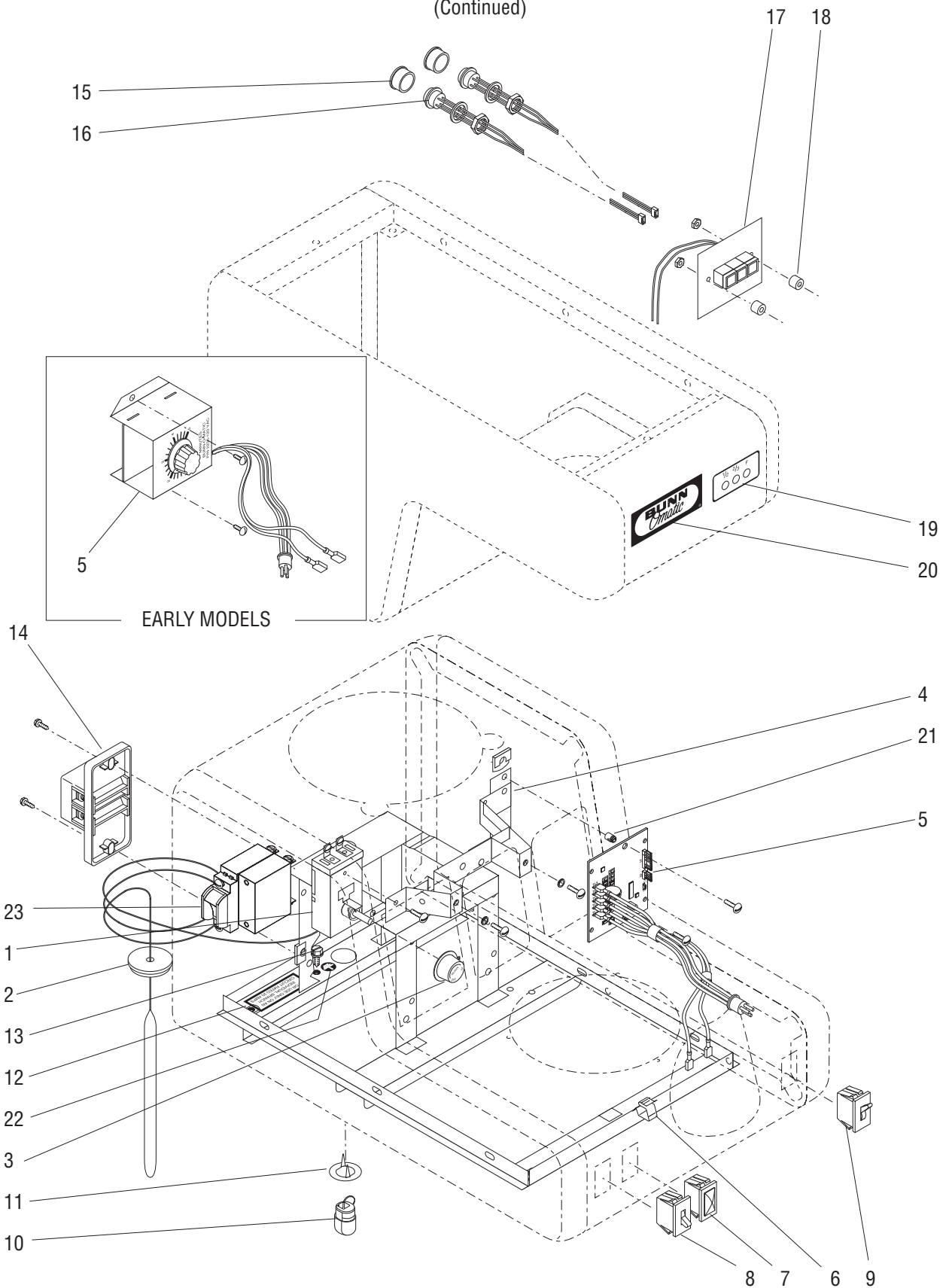
ELECTRICAL & OPERATING CONTROLS (Model OT)

ITEM	PART NO.	QTY.	DESCRIPTION
1	04314.0001	1	Thermostat Assy (Includes items 2 & 3)
	02328.0003	1	Screw, PNH SLTD #6-32 x .312"
2	07073.1000	1	Grommet
3	00720.0000	1	Knob
4	04752.0000	1	Bracket, Component Mounting
	02308.0000	2	Screw, PHH SLTD w/serr #8-32 x .38"
	00970.0000	2	Nut, KEPS #8-32
5	32400.0000	1	Timer, Digital 120V
	32400.0001	1	Timer, Digital 240V
	01320.0000	2	Screw, RDH SLTD #8-32 x 1.0"
	00912.0000	2	Fastener, "J" Type #8-32
6	00927.0000	1	Clip, Cable
7	01088.0000	1	Lamp (120V)
	01089.0000	1	Lamp (240V)
8	01186.0000	1	Switch, ON/OFF
9	01061.0000	1	Switch, MOMENTARY START
10	01666.0000	1	Bushing, Strain Relief (Model OT15 only)
11	00715.0000	1	Washer, Strain Relief (Model OT15 only)
12	00985.0000	1	Decal, INDIVIDUAL CIRCUIT INFO (Not Applicable to model OT15)
13	01309.0000	1	Screw, Harness Grounding
14	01106.0000	1	Terminal Block, 2-pole WHT/BLK
	07038.0000	1	Terminal Block, 3-pole RED/WHT/BLK
	01370.0000	2	Screw, PNH SLTD #8-32 x .75"
	00912.0000	2	Fastener, "J" Type #8-32
15	27657.0000	2	Cap, Plastic (OT35 w/Grinder Interface)
16	05187.0000	2	Harness (OT35 w/Grinder Interface)
17	05178.0000	1	Switch, Control Board (OT35 w/Grinder Interface)
	00973.0000	2	Nut, KEPS #6-32
18	01533.0002	2	Spacer (OT35 w/Grinder Interface)
19	05177.0000*	1	Decal, Switch (OT35 w/Grinder Interface)
20	00875.0000	1	Decal, BUNN-O-MATIC (OT35 w/Grinder Interface)
21	32530.0001	2	Spacer (Models with Digital Timer)
22	00824.0000	1	Decal, Grounding
23	38894.0001	1	Switch, Master ON/OFF
	01308.0002	2	Screw, Truss Head, Locking #6-32 x .25" (Mounting)
	01327.0000	4	Screw, Pan Head #10-32 x .38" (Terminals)
	01512.0000	4	Lockwasher, Ext.-tooth #10

(Continued)

* Indicates the part number listed is for reference only. See DESCRIPTION for possible service replacement.

(Continued)

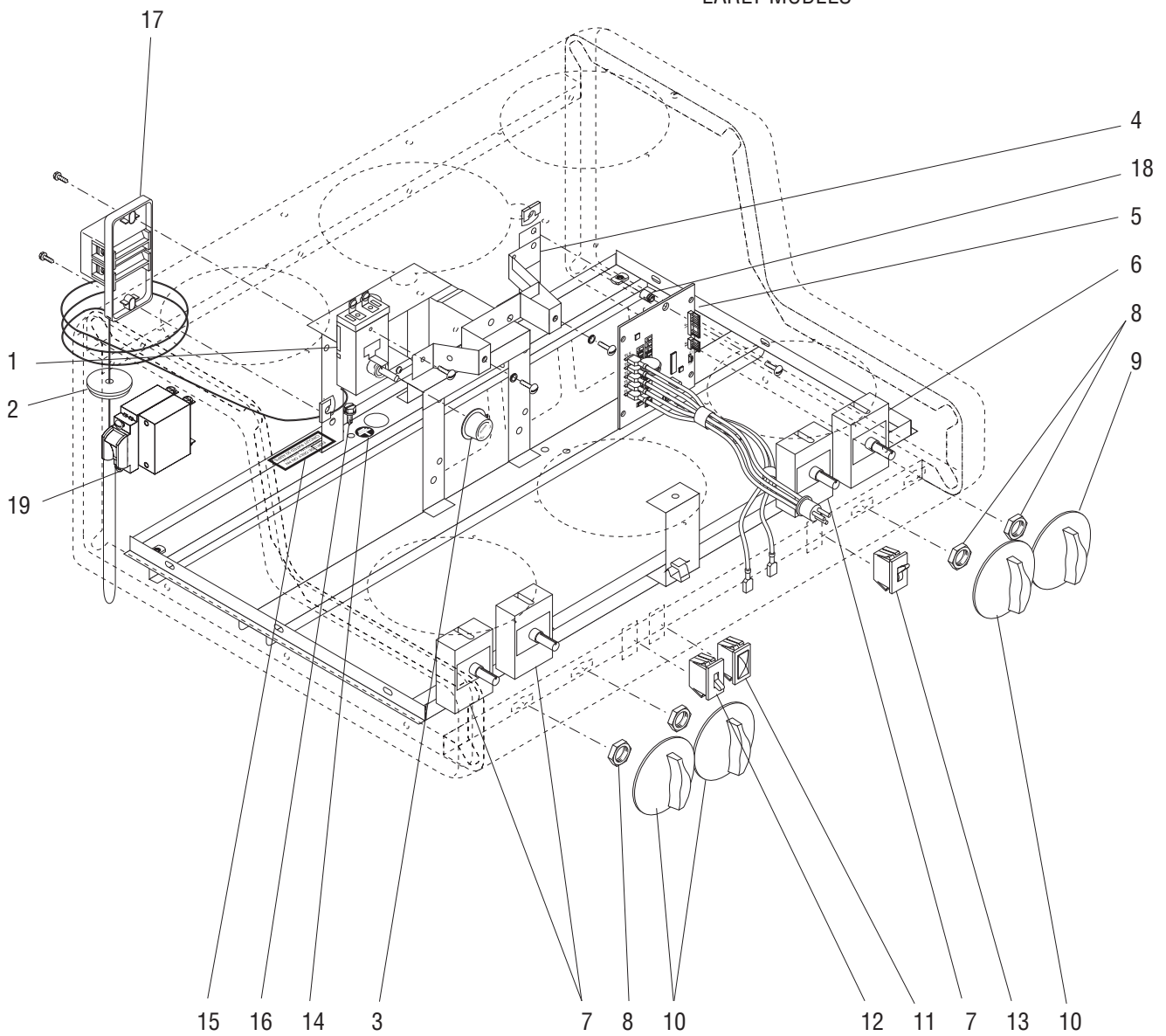
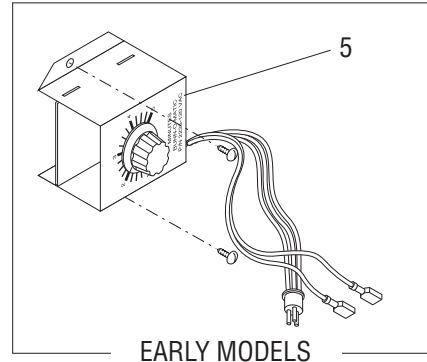


P1661

ELECTRICAL & OPERATING CONTROLS (Model OT)

ITEM	PART NO.	QTY.	DESCRIPTION
The following items are not illustrated			
24	01668.0000*	2	Wire Nut, ORN (OT35 w/Grinder Interface)
25	05186.0000	1	Harness (OT35 w/Grinder Interface)
26	01870.0000	1	Harness, Main (Models OT15 & 20)
	34950.0001	1	Harness, Main (Models OT15 & 20)(Models w/ Master ON/OFF Switch)
	01869.0000*	1	Harness, Main (Model OT35)
	01869.0001	1	Harness, Main (Model OT35)(Models w/ Master ON/OFF Switch)
	22476.0000	1	Harness, Main (OT35 w/Grinder Interface)
27	04513.0000	1	Power Cord (OT15 only)
28	06064.0000	1	Decal, Cord Warning (OT15 only)
29	21016.0028	1	Lead, BLK 27.0"
30	21016.0029	1	Lead, BLU/BLK 23.0"
31	38920.0000	1	Wiring Harness, Master ON/OFF Switch

* Indicates the part number listed is for reference only. See DESCRIPTION for possible service replacement.



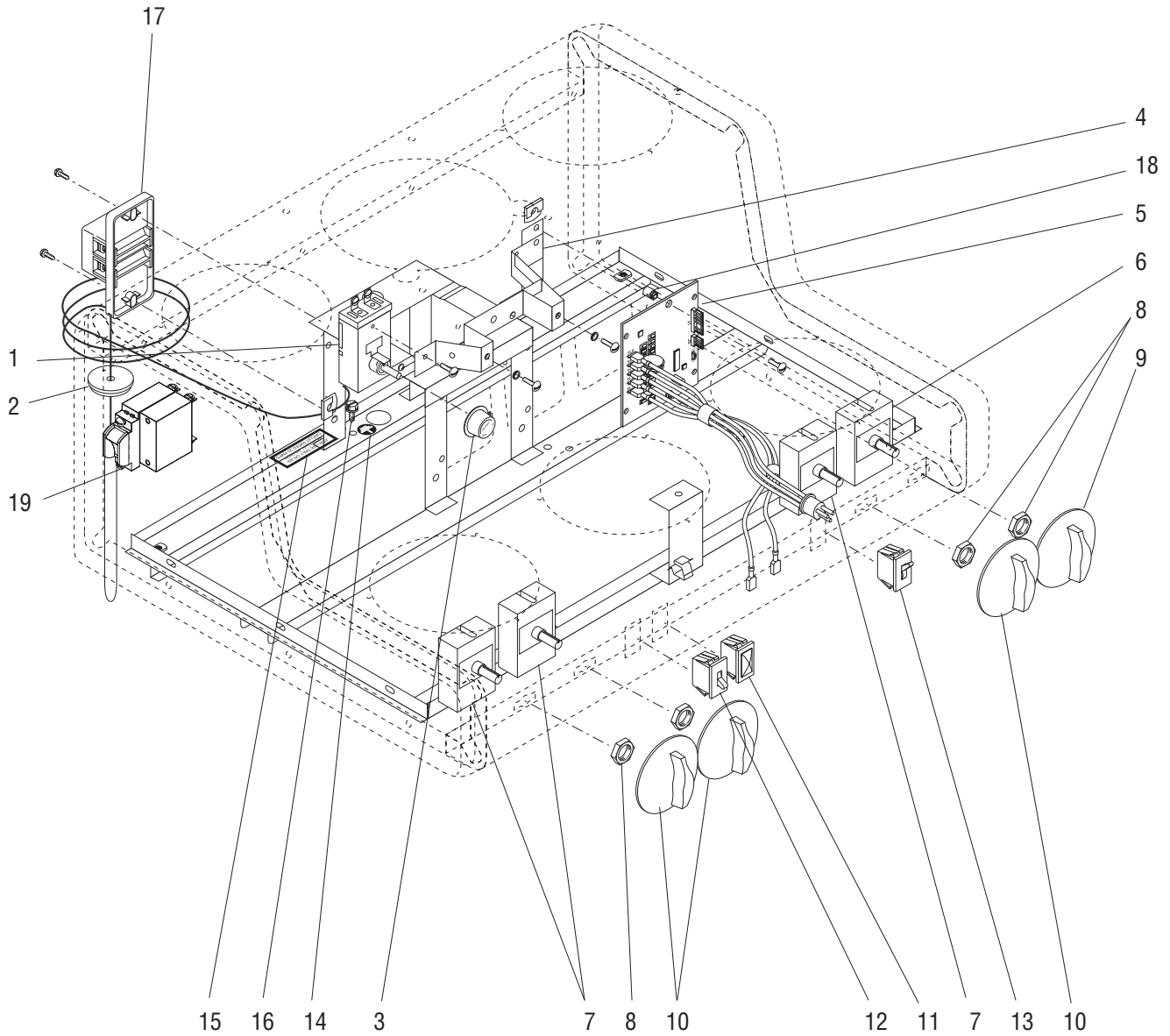
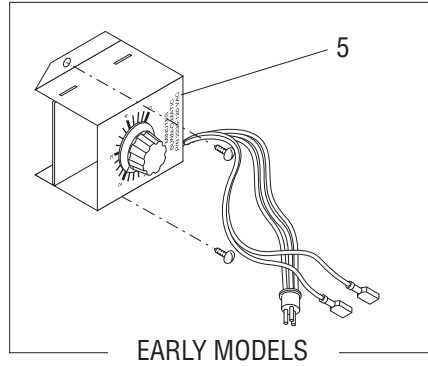
ELECTRICAL & OPERATING CONTROLS (Model RT)

ITEM	PART NO.	QTY.	DESCRIPTION
1	04314.0001	1	Thermostat Assy (Includes items 2 & 3)
	02328.0003	1	Screw, PNH SLTD #6-32 x .312"
2	07073.1000	1	Grommet
3	00720.0000	1	Knob
4	04752.0000	1	Bracket, Component Mounting
	01315.0000	2	Screw, TRH PNH #8-32 x .375"
	01519.0000	2	Lockwasher #8
	00970.0000	2	Nut, KEPS #8-32
5	32400.0000	1	Timer, Digital 120V
	32400.0001	1	Timer, Digital 240V
	01320.0000	2	Screw, RDH SLTD #8-32 x 1.0"
	00912.0000	2	Fastener, "J" Type #8-32
6	01053.1000	1	Switch, Rotary OFF/LO/MED/HI (Models with High Heat Warmer)
7	01052.0000	4	Switch, Rotary ON/OFF (One less used on models with High Heat Warmer)
8	00990.0000	4	Nut, Hex .375-24"
9	01055.0000	1	Knob, OFF/LO/MED/HI (Models with High Heat Warmer)
10	01054.0000	4	Knob, ON/OFF (One less used on models with High Heat Warmer)
11	01088.0000	1	Lamp (120V)
	01089.0000	1	Lamp (240V)
12	01186.0000	1	Switch, ON/OFF
13	01061.0000	1	Switch, MOMENTARY START
14	00824.0000	1	Decal, Grounding
15	00985.0000	1	Decal, INDIVIDUAL CIRCUIT INFO
16	01309.0000	1	Screw, Harness Grounding
17	01106.0001	1	Terminal Block, 2-pole RED/BLK
	01106.0000	1	Terminal Block, 2-pole WHT/BLK
	07038.0000	1	Terminal Block, 3-pole RED/WHT/BLK
	01370.0000	2	Screw, PNH SLTD #8-32 x .75"
	00912.0000	2	Fastener, "J" Type #8-32
18	32530.0001	2	Spacer (Models with Digital Timer)
19	38894.0001	1	Switch, Master ON/OFF
	01308.0002	2	Screw, Truss Head, Locking #6-32 x .25" (Mounting)
	01327.0000	4	Screw, Pan Head #10-32 x .38" (Terminals)
	01512.0000	4	Lockwasher, Ext.-tooth #10

(Continued)

* Indicates the part number listed is for reference only. See DESCRIPTION for possible service replacement.

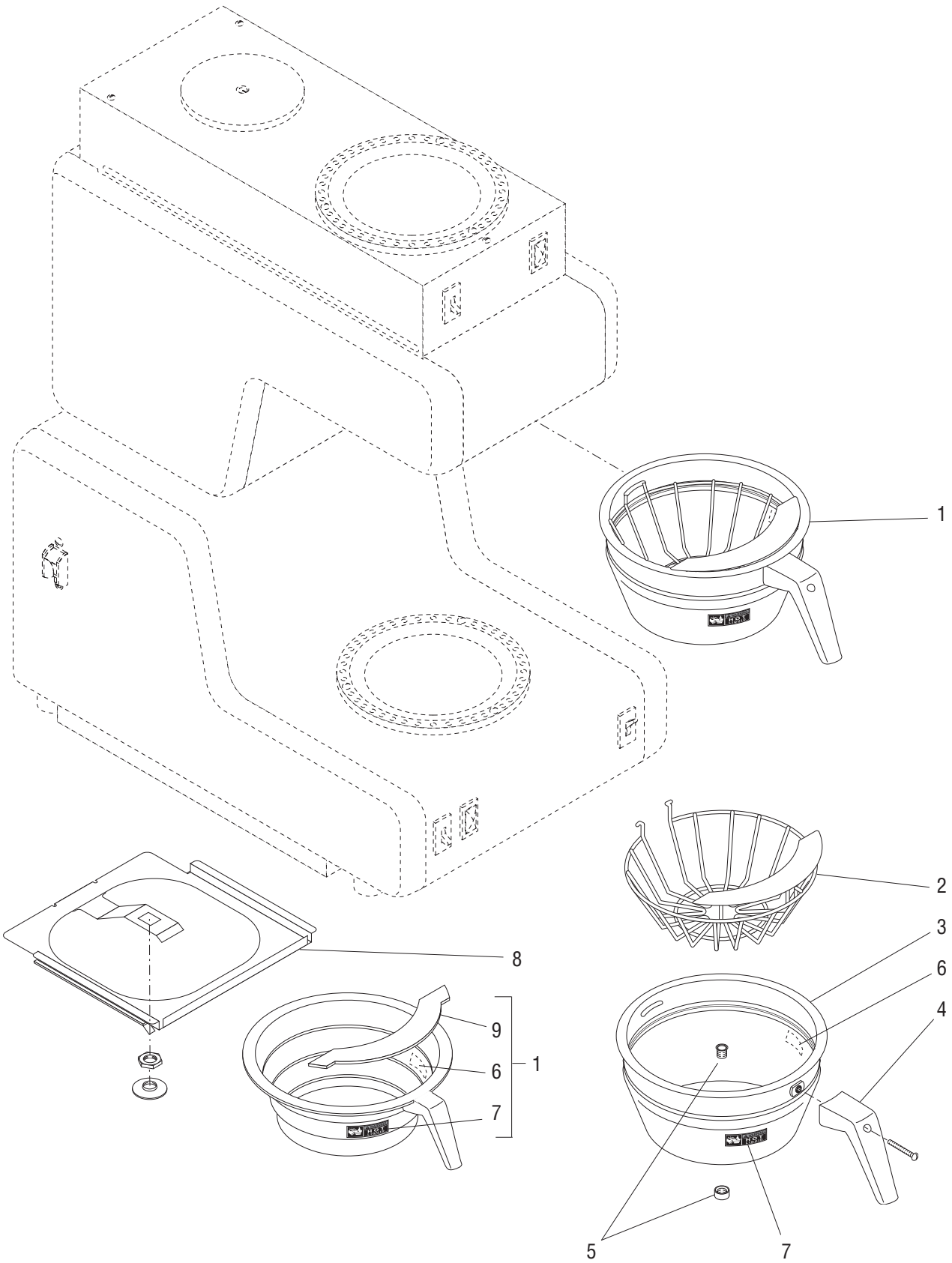
(Continued)



ELECTRICAL & OPERATING CONTROLS (Model RT)

ITEM	PART NO.	QTY.	DESCRIPTION
The following items are not illustrated			
20	21016.0028	1	Lead, BLK 27.0"
21	21016.0029	1	Lead, BLU/BLK 23.0"
22	01825.0000	1	Harness, Main, 120V (Models RT & RTF)(Models with High Heat Warmer)
	01825.0002	1	Harness, Main, 120V (Models RT & RTF)(Models without High Heat Warmer)
	34902.0003	1	Harness, Main, 120V (Models RT & RTF)(Models without High Heat Warmer)(Models w/ Master ON/OFF Switch)
	22430.0000	1	Harness, Main, 120V (Model RT Galley)(Models with High Heat Warmer)
	22430.0002	1	Harness, Main, 120V (Model RT Galley)(Models without High Heat Warmer)
	01826.0000	1	Harness, Main, 240V (Model RTA)(Models with High Heat Warmer)
	01826.0002	1	Harness, Main, 240V (Model RTA)(Models without High Heat Warmer)
	23	22354.0000	1
24	38920.0000	1	Harness, Wiring, Master ON/OFF Switch

* Indicates the part number listed is for reference only. See DESCRIPTION for possible service replacement.



P1663

FUNNELS & BASKETS

ITEM	PART NO.	QTY.	DESCRIPTION
1	20217.0000	1	Funnel, SST w/Black Handle (7.625" Dia)(Includes items 2 thru 5)
	20217.0001	1	Funnel, SST w/Orange Handle (7.625" Dia)(Includes items 2 thru 5)
	20583.0002	1	Funnel, Smoke Plastic (7.25" Dia)(Includes items 6,7 & 9)
	29351.0000	1	Funnel, Smoke Plastic (7.625" Dia)(Includes items 6,7 & 9)
2	33090.0000	1	Filter Basket w/Splash Guard
3	28554.0000	1	Funnel w/Decals (Includes items 6 & 7)
4	20244.1000	1	Handle Kit, Black (Includes screw)
	20244.1001	1	Handle Kit, Orange (Includes screw)
	01331.0002	1	Screw, Round Head #10-32 x 1.50"
5	01031.0000	1	Funnel Tip Kit
6	03408.0002	1	Decal, WARNING-REMOVE FUNNEL
7	03409.0002	1	Decal, WARNING-HOT LIQUID
8	23379.0001	1	Adapter, Funnel (For use with 7.25" Dia Funnel)
9	32964.0000	1	Splash Guard

* Indicates the part number listed is for reference only. See DESCRIPTION for possible service replacement.

NUMERICAL INDEX

PART NO.	PAGE NO.	PART NO.	PAGE NO.	PART NO.	PAGE NO.	PART NO.	PAGE NO.
00225.1001.....	25	01055.0000.....	33,41	01522.0000.....	15	04636.1000.....	17
00305.0000.....	21	01061.0000.....	29,33,37,41	01527.0000.....	13	04637.1000.....	17
00310.0000.....	21	01075.0000.....	15,17	01532.0000.....	19,23	04752.0000.....	37,41
00310.0002.....	21	01082.0000.....	15,17	01533.0002.....	37	04831.0000.....	13
00398.0002.....	21,23	01085.0002.....	19,21	01666.0000.....	29,37	04970.0000.....	11
00400.0001.....	17	01088.0000.....	25,29,33,37,41	01668.0000.....	39	04974.0000.....	9
00402.0001.....	19,21,23	01089.0000.....	25,29,33,37,41	01825.0000.....	43	05000.0000.....	29,33
00406.0001.....	9,11,17	01100.0000.....	19,21	01825.0002.....	43	05005.0000.....	7,11
00432.0001.....	19	01101.0000.....	19,21	01826.0000.....	43	05014.0000.....	5,9
00458.0001.....	19	01104.0000.....	19,21	01826.0002.....	43	05016.0000.....	5,7,9,11
00459.0001.....	19	01106.0000.....	29,33,37,	01860.0000.....	25,31	05017.0000.....	5,7,9,11
00462.0001.....	5,7	01106.0001.....	29,33,41	01860.0001.....	25,31	05023.0002.....	9
00463.0000.....	19	01111.0000.....	19,21	01869.0000.....	39	05023.1000.....	9
00465.0001.....	19	01111.0002.....	19,21	01869.0001.....	39	05025.1000.....	9
00484.0001.....	23	01116.0000.....	19,21	01870.0000.....	39	05025.1000.....	11
00606.0000.....	5,7,9,11	01117.0000.....	21	01907.0000.....	27	05027.0002.....	11
00656.0000.....	5,7,9,11	01119.0000.....	19	01928.0000.....	15,17	05027.1000.....	11
00658.0000.....	5,7,9,11	01138.0000.....	19	01951.0000.....	25,27	05031.0000.....	15
00688.0000.....	7,11	01139.0000.....	19	01951.0001.....	25	05032.1000.....	13
00715.0000.....	5,9,29,37	01143.0000.....	25,27	01975.0000.....	19,21	05033.1000.....	13
00720.0000.....	29,33,37,41	01154.0001.....	21	01977.0000.....	29,33	05036.1000.....	13
00751.0000.....	5,7,9,11	01155.0000.....	21	02056.1000.....	29,33	05037.1000.....	13
00752.0000.....	5,7,9,11	01161.0000.....	27	02308.0000.....	13,19,29,33,37	05038.0000.....	13
00754.0001.....	5,7,9,11	01171.0001.....	21	02310.0000.....	5,7,9,11	05039.0000.....	13
00774.0000.....	9,11	01186.0000.....	25,29,33,37,41	02328.0000.....	29,33	05067.0000.....	15
00803.0000.....	7	01189.0000.....	7,25	02328.0003.....	29,33,37,41	05070.0000.....	15
00804.0000.....	25	01197.0000.....	27	02434.1000.....	5,7,9,11,15	05078.0000.....	13
00822.0000.....	11	01198.0000.....	27	02713.0000.....	13	05082.0000.....	13
00824.0000.....	29,33,37,41	01227.0000.....	25	02745.0000.....	13	05084.0000.....	13
00831.0000.....	5,7,9,11	01303.0000.....	25,27	02746.0000.....	13	05089.0000.....	29,33
00875.0000.....	5,7,9	01304.0000.....	27	02747.0000.....	13	05092.0000.....	7
00875.0000.....	11,23,37	01308.0002.....	29,33,37,41	02755.1000.....	13	05092.1000.....	7
00908.0000.....	13,15,17	01309.0000.....	29,33,37,41	02756.1000.....	13	05096.0000.....	19
00909.0000.....	27	01311.0000.....	5,7,9,11	02775.0000.....	13	05101.0000.....	7
00910.0000.....	27	01315.0000.....	5,7,9,11	02817.0000.....	25,27	05102.0000.....	5
00912.0000.....	7,25,37,41	01315.0000.....	29,33,41	02858.0000.....	23	05103.1000.....	5,7
00916.0000.....	25,27	01317.0000.....	29,33	03311.0000.....	27	05103.1001.....	5
00917.0000.....	5,7,9,11	01318.0000.....	9,11	03408.0002.....	45	05105.0000.....	5
00927.0000.....	5,9,29,37	01320.0000.....	5,7,9	03409.0002.....	45	05105.1002.....	5
00929.0001.....	13,15,17	01320.0000.....	11,37,41	03652.0000.....	25	05106.0000.....	13
00932.0000.....	15	01322.0000.....	11	03656.0000.....	25,27	05106.0001.....	13
00935.0001.....	15	01323.0000.....	25	03697.0000.....	25,27	05108.0000.....	13
00942.0000.....	15,17	01326.0000.....	21	03807.0000.....	13	05110.1000.....	13
00943.0000.....	13,17	01327.0000.....	19,29,33,37,41	03810.1000.....	25	05112.0000.....	31
00946.0000.....	13	01331.0000.....	5,7,9,11,29	03811.1000.....	7	05112.0001.....	31
00970.0000.....	13,15,25	01331.0002.....	45	03813.0000.....	25	05113.0000.....	35
00970.0000.....	27,37,41	01332.0000.....	27	03820.0000.....	19,31,35	05116.0000.....	31
00971.0000.....	5,7,9,11	01370.0000.....	15,37,41	03989.0000.....	13	05116.0001.....	31
00973.0000.....	37	01371.0000.....	7,25	04129.0000.....	17	05117.0000.....	35
00978.0000.....	5,7,9,11	01377.0000.....	7,25	04221.0000.....	17	05117.0002.....	35
00985.0000.....	29,33,37,41	01502.0000.....	19	04236.1000.....	17	05118.0000.....	31
00990.0000.....	33,41	01503.0000.....	27	04243.0000.....	31,33	05119.0000.....	19
01031.0000.....	45	01512.0000.....	5,7,9,11,21	04314.0001.....	29,33,37,41	05177.0000.....	37
01052.0000.....	33,41	01512.0000.....	29,33,37,41	04513.0000.....	31,39	05178.0000.....	37
01053.1000.....	33,41	01516.0000.....	5,7,9,11,25	04626.0000.....	15,17	05186.0000.....	39
01054.0000.....	33,41	01519.0000.....	41	04626.0001.....	17	05187.0000.....	37

NUMERICAL INDEX

PART NO.	PAGE NO.	PART NO.	PAGE NO.	PART NO.	PAGE NO.	PART NO.	PAGE NO.
05194.0000.....	9	21016.0007.....	31,35				
05212.0000.....	25,27	21016.0011.....	31				
05515.0000.....	17	21016.0027.....	31				
05518.0000.....	17	21016.0028.....	31,35,39,43				
05533.0000.....	17	21016.0029.....	31,35,39,43				
05533.0002.....	17	21016.0122.....	17				
05553.0000.....	17	21016.0155.....	31,35				
05682.1000.....	17	21180.0000.....	19,21				
05683.1000.....	17	21181.0000.....	19,21				
05684.0000.....	17	22249.0000.....	19,21				
05717.0000.....	25	22293.0000.....	19,21				
06064.0000.....	31,39	22351.1000.....	7,11				
06335.1004.....	29	22354.0000.....	35,43				
07038.0000.....	29,33,37,41	22356.0000.....	31				
07073.1000.....	29,33,37,41	22357.1002.....	11				
10007.0000.....	25	22357.1003.....	9				
10277.0000.....	11	22358.1000.....	5,9				
10278.0000.....	9	22358.1001.....	5				
11440.0011.....	25	22358.1002.....	9				
12364.0000.....	5,7,9,11	22360.0000.....	35				
12687.0000.....	17	22360.0002.....	35				
12688.0000.....	17	22362.0000.....	31,35				
12689.1000.....	17	22399.0000.....	31				
12915.0000.....	23	22428.1000.....	11				
12984.0004.....	29,33	22430.0000.....	43				
13042.0001.....	25,27	22430.0002.....	43				
13053.0000.....	23	22456.0000.....	23				
13054.0000.....	23	22476.0000.....	39				
13055.0000.....	23	23379.0001.....	45				
13056.0000.....	23	23721.0000.....	19,21				
13057.0000.....	23	23820.1000.....	19,21				
13058.0000.....	23	24684.0000.....	15				
13059.0000.....	23	27657.0000.....	37				
13060.0000.....	23	28479.0000.....	19,21				
13061.0000.....	23	28480.0000.....	19,21				
20201.4300.....	19	28481.0000.....	19,21				
20201.5600.....	23	28554.0000.....	45				
20211.0100.....	17	29329.1000.....	15,17				
20217.0000.....	45	29351.0000.....	45				
20217.0001.....	45	32400.0000.....	37,41				
20244.1000.....	45	32400.0001.....	37,41				
20244.1001.....	45	32423.0000.....	11				
20526.1195.....	21	32424.0000.....	7				
20528.1195.....	21	32530.0001.....	37,41				
20554.0001.....	21	32540.0000.....	9,11				
20583.0002.....	45	32964.0000.....	45				
20726.0000.....	23	33090.0000.....	45				
20747.0000.....	23	34902.0003.....	43				
20749.0000.....	29,33	34950.0001.....	39				
20768.0000.....	13	37881.0000.....	5,7,9,11,25				
20771.0001.....	29,33	38894.0001.....	29,33,37,41				
20942.1000.....	13	38920.0000.....	31,35,39,43				
21012.0062.....	31						
21012.0064.....	31						
21012.0066.....	31						
21012.0067.....	31						