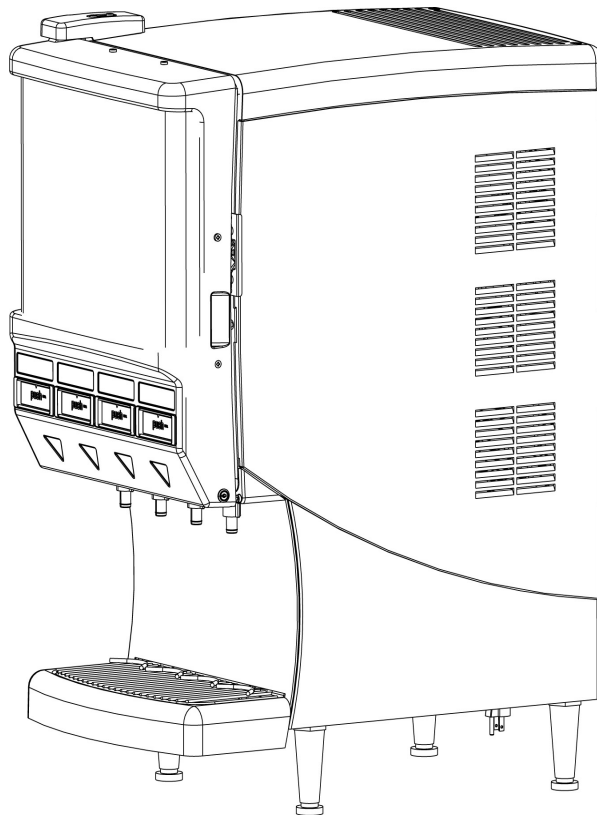




QUEST ELITE 4000

ILLUSTRATED PARTS LIST



Release Date: February 17, 2011

Publication Number: 620048956IPL

Revision Date: May 16, 2011

Revision: B

Visit the IMI Cornelius web site at www.cornelius.com for all your Literature needs.

The products, technical information, and instructions contained in this manual are subject to change without notice. These instructions are not intended to cover all details or variations of the equipment, nor to provide for every possible contingency in the installation, operation or maintenance of this equipment. This manual assumes that the person(s) working on the equipment have been trained and are skilled in working with electrical, plumbing, pneumatic, and mechanical equipment. It is assumed that appropriate safety precautions are taken and that all local safety and construction requirements are being met, in addition to the information contained in this manual.

This Product is warranted only as provided in Cornelius' Commercial Warranty applicable to this Product and is subject to all of the restrictions and limitations contained in the Commercial Warranty.

Cornelius will not be responsible for any repair, replacement or other service required by or loss or damage resulting from any of the following occurrences, including but not limited to, (1) other than normal and proper use and normal service conditions with respect to the Product, (2) improper voltage, (3) inadequate wiring, (4) abuse, (5) accident, (6) alteration, (7) misuse, (8) neglect, (9) unauthorized repair or the failure to utilize suitably qualified and trained persons to perform service and/or repair of the Product, (10) improper cleaning, (11) failure to follow installation, operating, cleaning or maintenance instructions, (12) use of "non-authorized" parts (i.e., parts that are not 100% compatible with the Product) which use voids the entire warranty, (13) Product parts in contact with water or the product dispensed which are adversely impacted by changes in liquid scale or chemical composition.

Contact Information:

To inquire about current revisions of this and other documentation or for assistance with any Cornelius product contact:

www.cornelius.com

800-238-3600

Trademarks and Copyrights:

This document contains proprietary information and it may not be reproduced in any way without permission from Cornelius.

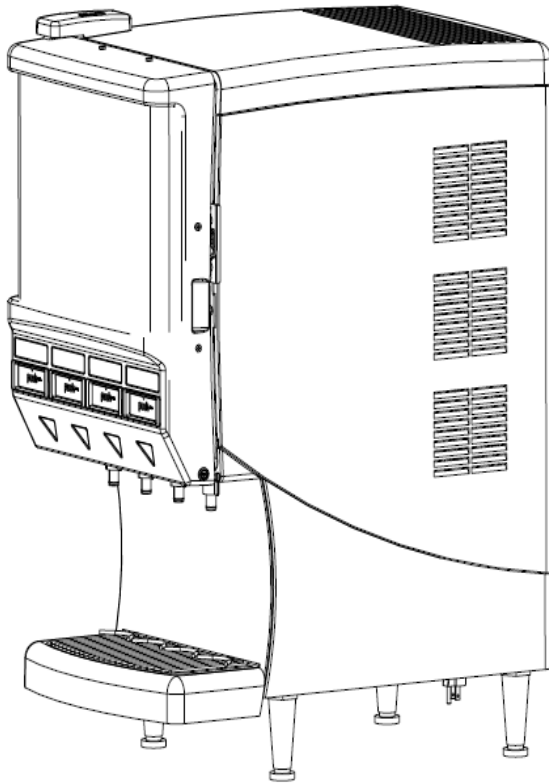
Printed in U.S.A.



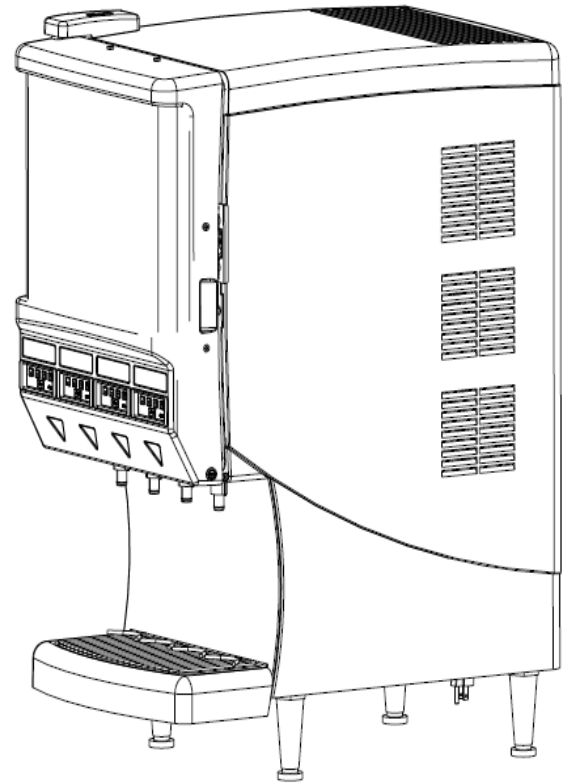
TABLE OF CONTENTS

Quest Elite Units	1
4FL Final Assembly	2
4000 Door Assembly Refrence (Pushbutton & Portion Control)	3
Cabinet Assembly Reference	4
Tank Cover Assembly	5
Refrigeration Frame Assembly	6
Platform Assembly Non Flush Non Soldout QST	7
Platform Assembly SLJ Flush	8
Pump Assembly	9
Bottle Adapter Assembly	10
Valve Block Assembly	11
Electrical Box Assembly	12
Generic Bottle Assembly	13
Recommended Spare Parts Based on 10 Units	14

QUEST ELITE UNITS



4000 Units with Push Buttons



4000 Unit with Portion Control

Figure 1.

Table 1. Top Quest 4000 Assembly

Part No.	Description
721404100	QSTE SLJ Non Flush 4000, 115/60 Pushbutton, Non Illuminated
721404101	QSTE SLJ Non Flush 4000, 115/60 Pushbutton, Illuminated
721414101	QSTE SLJ Flush 4000, 115/60 Pushbutton, Illuminated
721414111	QSTE SLJ Flush 4000, 115/60 Portion, Illuminated
721404111	QSTE SJL Non Flush 4000, 115/60 Portion, Illuminated
721414201	QSTE SLJ Flush 4000, 230/50 Pushbutton, Illuminated
721414211	QSTE SLJ Flush 4000, 230/50 Portion, Illuminated
721414301	QSTE SLJ Flush 4000, 220/60 Pushbutton, Illuminated
721414311	QSTE SLJ Flush 4000, 220/60 Portion, Illuminated

4FL FINAL ASSEMBLY

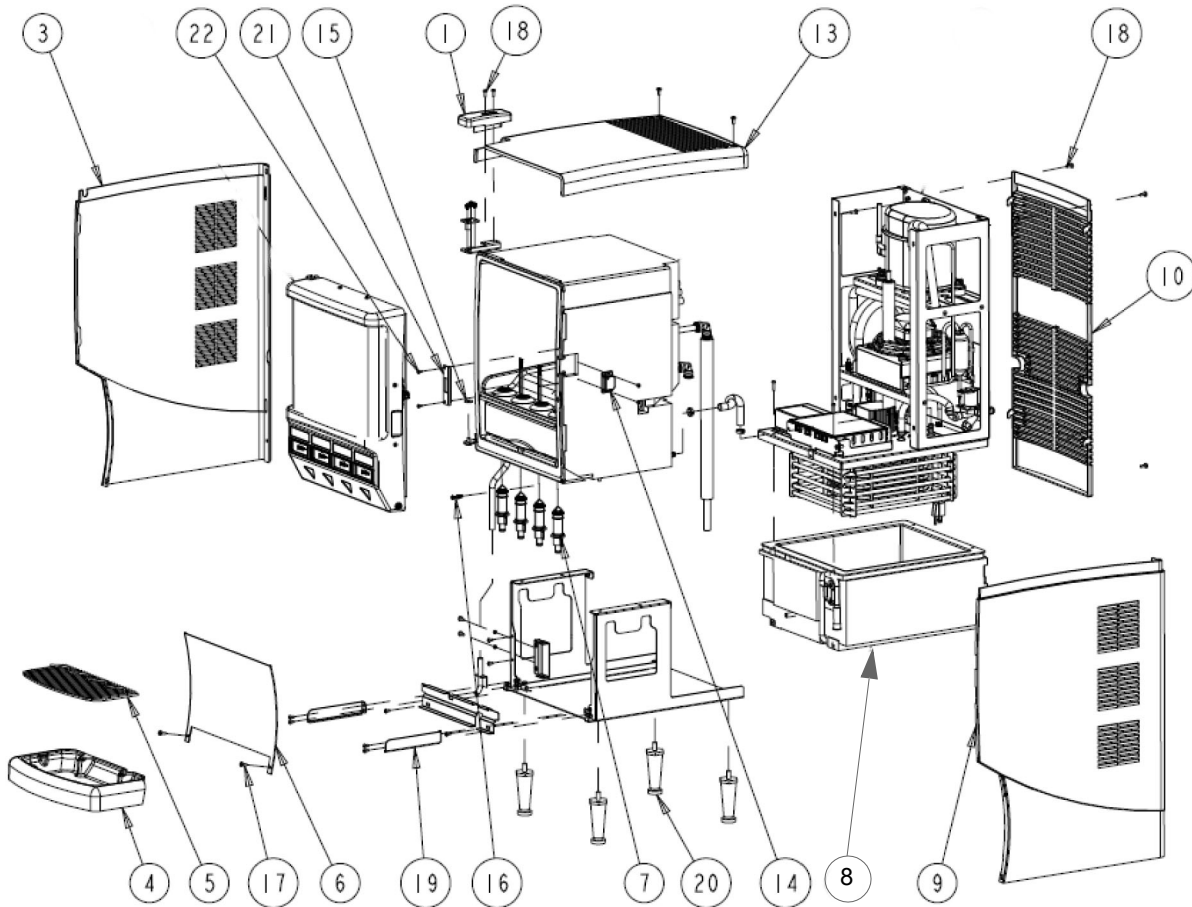


Figure 2.

Table 2. 4FL Final Assembly

Item	Part No.	Description
1	620047969	Hinge Top Cover, Quest Elite 2/4 FL
3	620048897	Side Panel LH. Quest Elite 2/4 FL
4	620049856	Drip Tray, Black W/Texture, Quest Elite 4 FL
5	620708563	Cup Rest W/LOC Quest 4 STND 8.1 X
6	620049021	Splash Panel Guard, Quest Elite 4 FL
7	620715835	Nozzle Static Mixer ASMB
8	620049093	Tank Foam Qste Finish 4fl
9	620048896	Side Panel RH. Quest Elite 2/4 FL
10	620050924	Rear Panel, Quest 4 FL
13	620048960	Top Panel W/Cut, QST Elite 4 FL
14	720704004	Door Catch, Female 2 FL / 4 FL
15	620049566	Washer- Hinge Bottom QST Elite 2/4FL
16	620047782	Pin Latch Cabinet QST2 2FL/4FL
17	0704105	Screw MA #8-32 TRPH 16 SS

Table 2. 4FL Final Assembly

Item	Part No.	Description
18	70178	Screw MA #8-32 TRPH 16 SS
19	620047429	Brkt, Drip Tray, Right, QST 2/4 FL
	620047428	Brkt, Drip Tray, Left, QST 2/4 FL
20	37958	Leg Level 4"
21	720201440	Brkt, Catch Strike Plate QST-NT
22	720701405	Screw TB D6-18 Paph 12 SS
24	620049019	Kit Literature Pkg (Mfg Phanto) (Not Shown)
25	620049048	Label System Wiring Diagram QST2 4FL (Not Shown)
26	620048953	Harness Door Qst2 4FL (Not Shown)
27	620053178	Harn To PWR Cord QSTE 4FL (Not Shown)
28	11732	Harness Assembly Platform SLJ 1000 (Not Shown)
29	620049320	Harn Combined Compressor Con- denser QST Elite 2/4FL (Not Shown)

4000 DOOR ASSEMBLY REFERENCE (PUSHBUTTON & PORTION CONTROL)

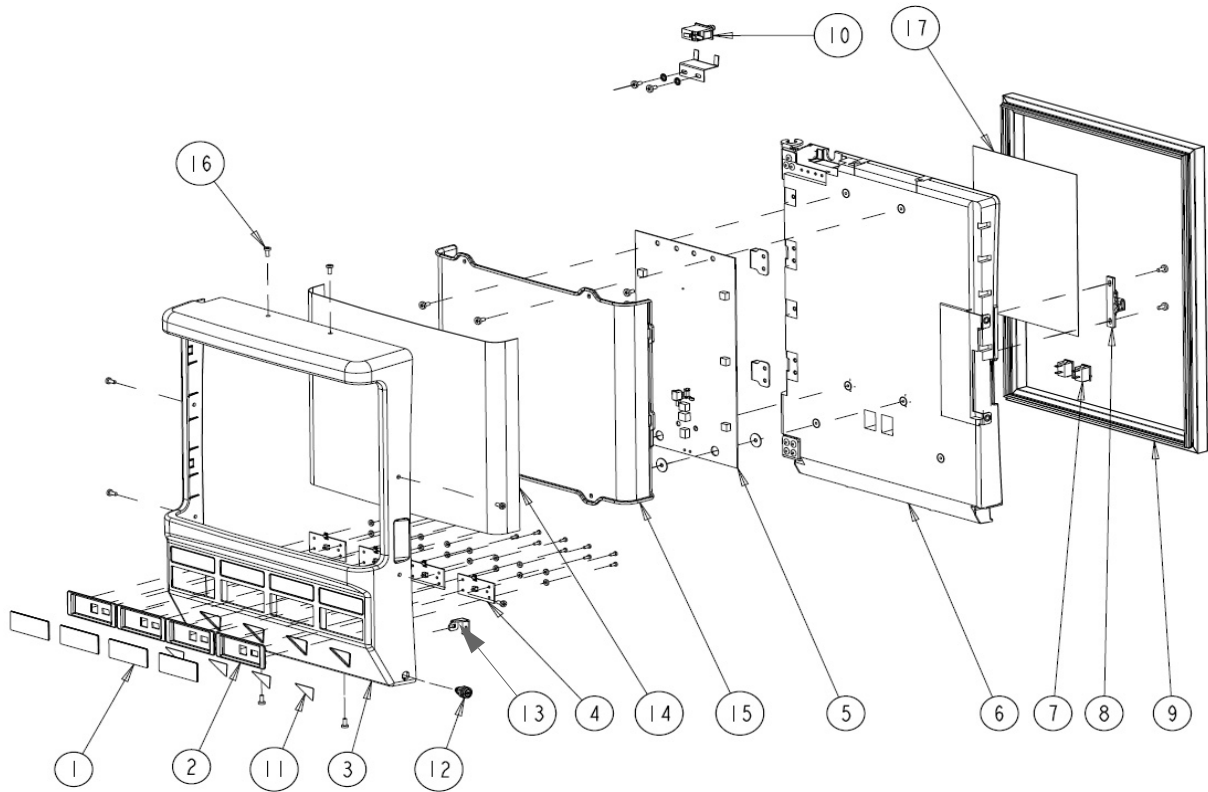


Figure 3.

Table 3. 4000 Door Assembly

Item	Part No.	Description
1	620047753	Overlay Assembly, Push button Control, Quest
	620047750	Overlay Assembly, Portion Control, Quest Elite, 2/4
2	620047751	Bezel, Push button, Silver, Quest Elite, 2/4 FL
	620047968	Bezel, Portion Control, Silver, Quest Elite, 2/4 FL
3	620047764	Merchandiser, Quest Elite, 4FL
4	45018001	Board Push button
	49280001	Board Portion Control
5	620047679-100	LED Quest PCBA Backlight Family
6	620048917	Assembly, Door Foamed, Quest Elite, 4FL
7	720301104	Switch Rocker Sealed For 115V
	620051427	Switch Rocker Unmarkeddv for 220V & 230V
8	720704005	Latch Door Male
9	620047767	Seal, Door, Quest Elite, 4FL
10	720500713	Switch Cut off 10 A MOM E6900A

Table 3. 4000 Door Assembly

Item	Part No.	Description
11	620049097	Label Triangle Nozzle Indicator Mirror Finish QST2 2/4FL
12	729011214	Kit, Lock & Key Door Quest Elite, 2/4FL
13	620047748	Latch Mounting Lock
14	620047769	Graphic, Generic, Quest Elite, 4FL
15	620047768	Lens, Quest Elite, 4FL
16	0704101	Screw MA 8-32 TRPH 12 SS
	620052150	Label Daily Flush & Cleaning Quest Elite Qlt
	620052151	Label Daily Flush & Cleaning SLJ Flush
17	620052153	Label Daily Cleaning QSTE SLJ Non Flush
	629097007	Kit 1, Flavor Strip Quest Elite, 2/4FL (Not Shown)
18	629097008	Kit 2, Flavor Strip Quest Elite, 2/4FL (Not Shown)
	729011220	Kit, Conversion PB to PC, QSTE 4FL (Not Shown)
19	729011221	Kit, Conversion, PC to PB, QSTE 4FL (Not Shown)

CABINET ASSEMBLY REFERENCE

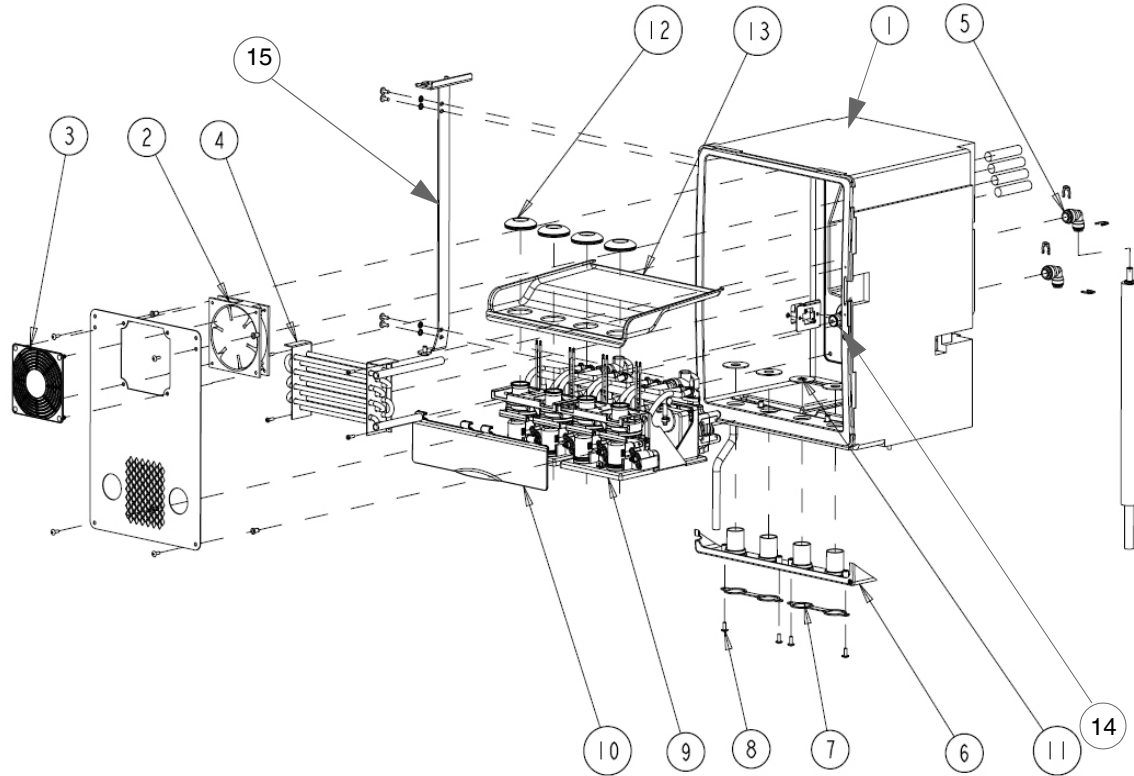


Figure 4.

Table 4. Cabinet Assembly

Item	Part No.	Description
1	620049843	Cabinet Assy QST Elite 4FL Modified Drain
2	720506104	Fan Assembly 115/60/50 4.7 X 4.7X1.0
	720506105	Fan Assembly 230/50/60 4.7 X 4.7 X1.0
3	620047512	Guard, Fan EBM 9000 & 4000
4	720506204	Cabinet Heat Exchanger
5	720509206	Fitting Push, Union Elbow, 3/8"X 1/2" LG
6	620047971	Trim Bottom W/Insert, Quest Elite, 4FL

Table 4. Cabinet Assembly

Item	Part No.	Description
7	720201479	Bracket Dual Nozzle Block Quest
8	07040007	Screw Machine, #8-32 PAPH 28SS
9	720401801X	Platform Assembly SLJ Flush
	720401809	Platform Asy No Flush No Soldout QST
10	720532101	Platform Door, Quest 4FL
11	S3354	Gasket Sealing Bowl Spout
12	720703301	Grommet, Seal Platform Cover Quest
13	720201509	Shelf, Cabinet, Quest 4FL
14	720200206	Fitg Insrt 3/8"NPT PP
15	620047775	Brkt Hinge QST2 2FL/4FL

TANK COVER ASSEMBLY

P/N 620049017

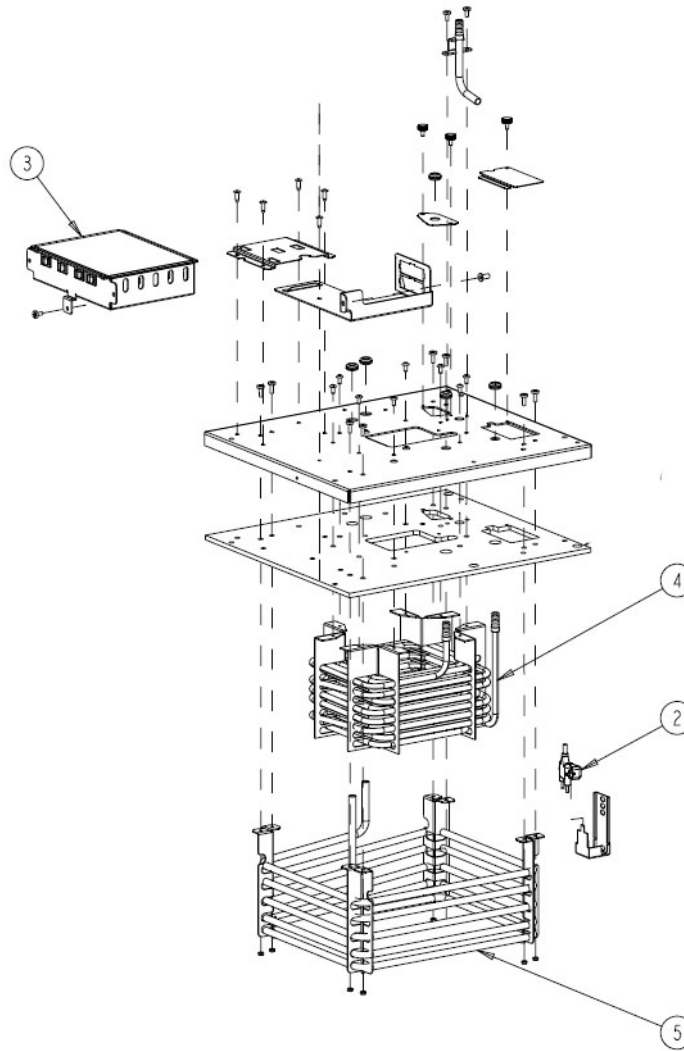


Figure 5.

Table 5. Tank Cover Assembly

Item	Part No.	Description
2	729011223	Kit Service Ice Probe Assy QSTE 4FL
3	720504304	Box Electric Assembly QUEST 2 SLJ

Table 5. Tank Cover Assembly

Item	Part No.	Description
4	620049562	Coil, Water, QUEST Elite 4FL
5	620049564	Coil, Refrigeration QUEST Elite 4FL

REFRIGERATION FRAME ASSEMBLY

P/N 620048916 (115VAC), P/N 620049026 (230VAC), P/N 620049033 (220VAC)

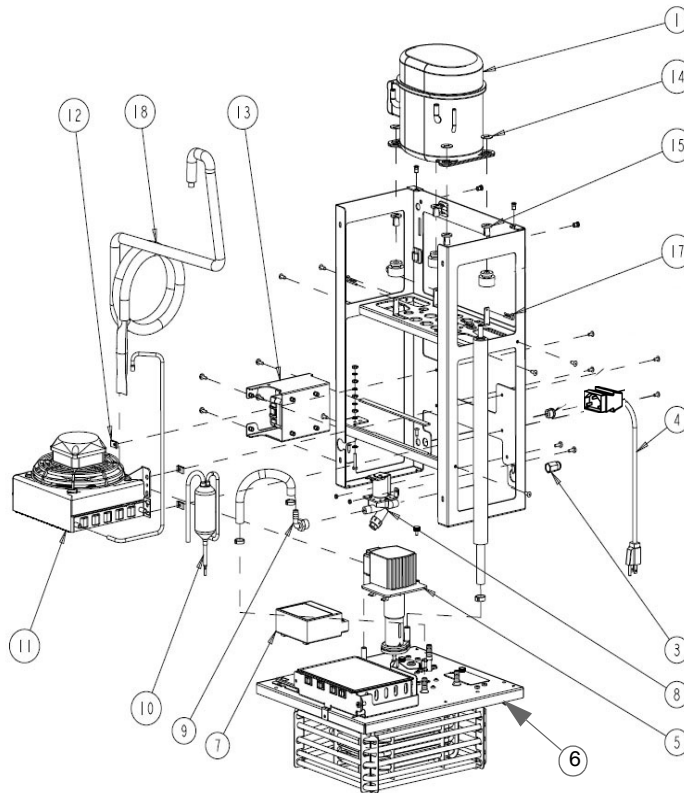


Figure 6.

Table 6. Refrigeration Frame Assembly

Item	Part No.	Description
1	729011215	Kit, 115 V Compressor & Filter Dryer
	729011216	Kit, 230V Compressor & Filter Dryer
	729011217	Kit, 220V Compressor & Filter Dryer
3	620048659	Adapter 1/4" FNPT To 3/8" Male Flare
4	620049959-001	Cord Serv 115V IEC60320-C13
	620049959-003	Tube Connector Discharge QST2
	620049959-007	Cord Pwr QSTE 2/4FL CEI-16/VII Italian Plug
	620049959-008	Cord PWR ME Version QSTE 2/4FL
	620049959-009	Cord PWR QSTE 2/4FL CEI-16/VII Italian Plug
5	620042742	Agitator Motor Assembly 115V
	620042741	Agitator Motor Assembly 230V/50
6	620049017	Tank Cover Assembly, Quest Elite, 4FL
7	729011138	Kit Gibc Field Quest (Not Shown)
	440000901	Control Ice Bank 230V Global
	440000902	Control Ice Bank 120/60 QST

Table 6. Refrigeration Frame Assembly

Item	Part No.	Description
8	620047891	Valve Water W/Solenoid, Quest Elite, 2/4FL
9	620049857	Reducer, Elbow, 1/4 FNPT x 3/8 Barb
10	620047114	2 Cubic Inches Filter Dryer
11	560004360	Motor- Fan 08w 120/60 Service
	560004368	Grille Cond Fan Small
	560004364	Shroud Cond Olympus Small
	560004366	Fan Axial Small
	560003706	Cond-coil & Fan 07W 230/5/6.2
12	6775	Clip Tin CB14-832-4
13	620047655	Transformer, 115V, Quest Elite 2/4FL
	620047654	Transformer, 230V, Quest Elite 2/4FL
14	9649	Washer Comp Mount
15	317781000	Bushing, Split
17	08474	Clip Spring
18	620051404	Cap-tube/Heat Exchange Assy.

PLATFORM ASSEMBLY NON FLUSH NON SOLDOUT QST

P/N 720401809

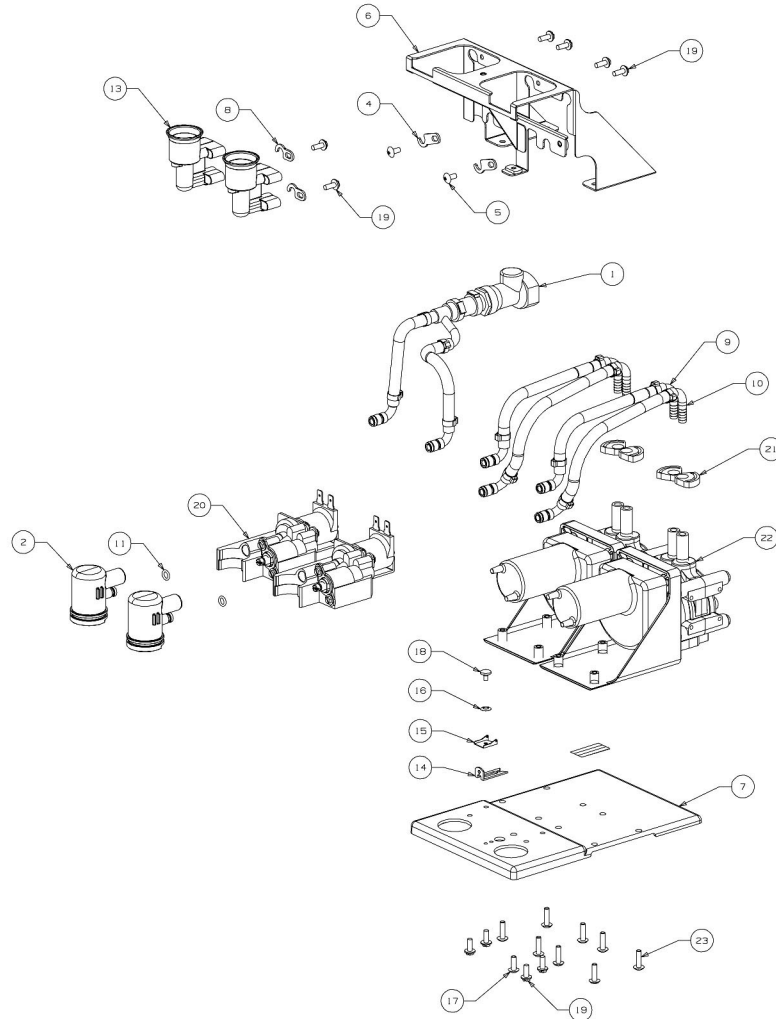


Figure 7.

Table 7. Platform Assy Non Flush Non Soldout QST

Item	Part No.	Description
1	720601337	Tube Asy Water In QST
2	720500033	Chamber Mixing QST4
4	724558601	Clip Tube Retainer QST
5	0704101	Screw MA 08-32 TRPH 12 SS
6	720201433	Brkt Asy Platform SLJ QST-NT
7	720202704	Base Platform SLJ QST IHOP
8	720704207	Washer Hold Down Hook RH Turn QST
9	720601338	Tube Asy Concentrate Out QST
10	720601339	Tube Asy Concentrate In QST
11	31525003	O-Ring 239ID 070CS 60DU BU-N

Table 7. Platform Assy Non Flush Non Soldout QST

Item	Part No.	Description
13	620046159	Adapter Caddy No Flush QST
14	45046	Latch #2 Medium SS
15	45047	Guide Latch #2 Med
16	45048	Washer Latch #2 Med
17	0704105	Screw MA 08-32 TRPH 16 SS
18	720800077	Rivet 125D 1/8
19	07032001	Screw #8-18 X 7/16 Type 25 HHW
20	45508200X	Valve Block Asy QLT Generic
21	48195006	Clamp Hose .470ID
22	45185X	Pump & Motor Asy 3-Roller
23	0704107	Screw #8-32 X 5/8 THMS SS

PLATFORM ASSEMBLY SLJ FLUSH

P/N 720401801X

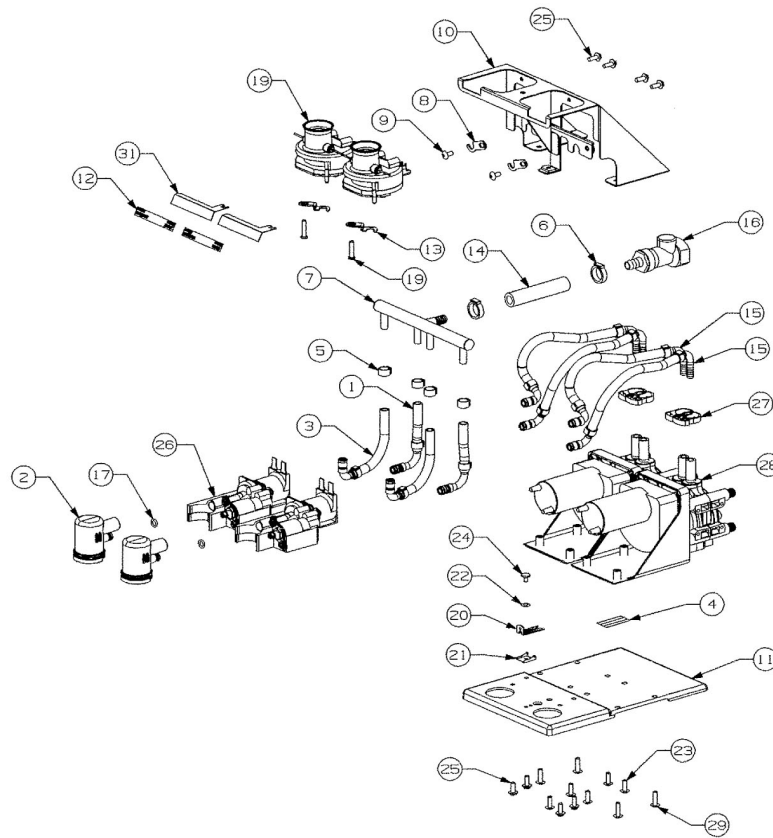


Figure 8.

Table 8. Platform Asy SLJ Flush

Table 8. Platform Asy SLJ Flush

Item	Part No.	Description
1	720509104	Tube Assembly Water Valve Inlet
2	720500033	Chamber Mixing QST4
3	720509105	Tube Assembly Water Rinse Inlet
5	48114004	Clamp Oetr 413Open STPLS #10.5
6	48114002	Clamp Oetr 669 Open STPLS #17.0
7	720509304	Manifold Water SS QUEST 4
8	724558601	Clip Tube Retainer QST
9	0704101	Screw Machine 8-32 TRPH12 SS
10	720201433	Bracket Assembly Platform SLJ QST IHOP
11	720202704	Base Platform SLJ QST IHOP
12	720901004	Label Dispense/Flush QST
13	720704207	Washer Hold Down Hook RH Turn QST
14	49034	Tube TYGON 3/8 IDX 5/8
15	720509103	Tube Assembly Suction Quest

16	720720498	Coupling In-line 3/8 ID HC35
17	31525003	O-ring 239 ID 070CS 60DU BU-N
18	11732	Harness Assembly Platform SLJ 1000(Not Shown)
19	45026X	Adapter Bottle Assembly SL DIS P
20	45046	Latch #2 Medium SS
21	45047	Guide Latch #2 MED
22	45048	Washer Latch #2 MED
23	0704105	Screw MA 08-32 TRPH 16 SS
24	720701001	Rivet Platform Base QST
25	07032001	Screw #8-18 X 7/16 Type 25 HHW
26	45508200X	Valve Block AS QLT Generic
27	48195006	Clamp Hose.470 ID
28	45185X	Pump & Motor Assembly 3-Roller
29	0704107	Screw #8-30 2X 5/8 THMS SS
30	720501706	Cap Plug.093 ID X 50 Long 1/2 inch
31	720201434	Bracket Platform Label SLJ QST

PUMP ASSEMBLY

P/N 45185X

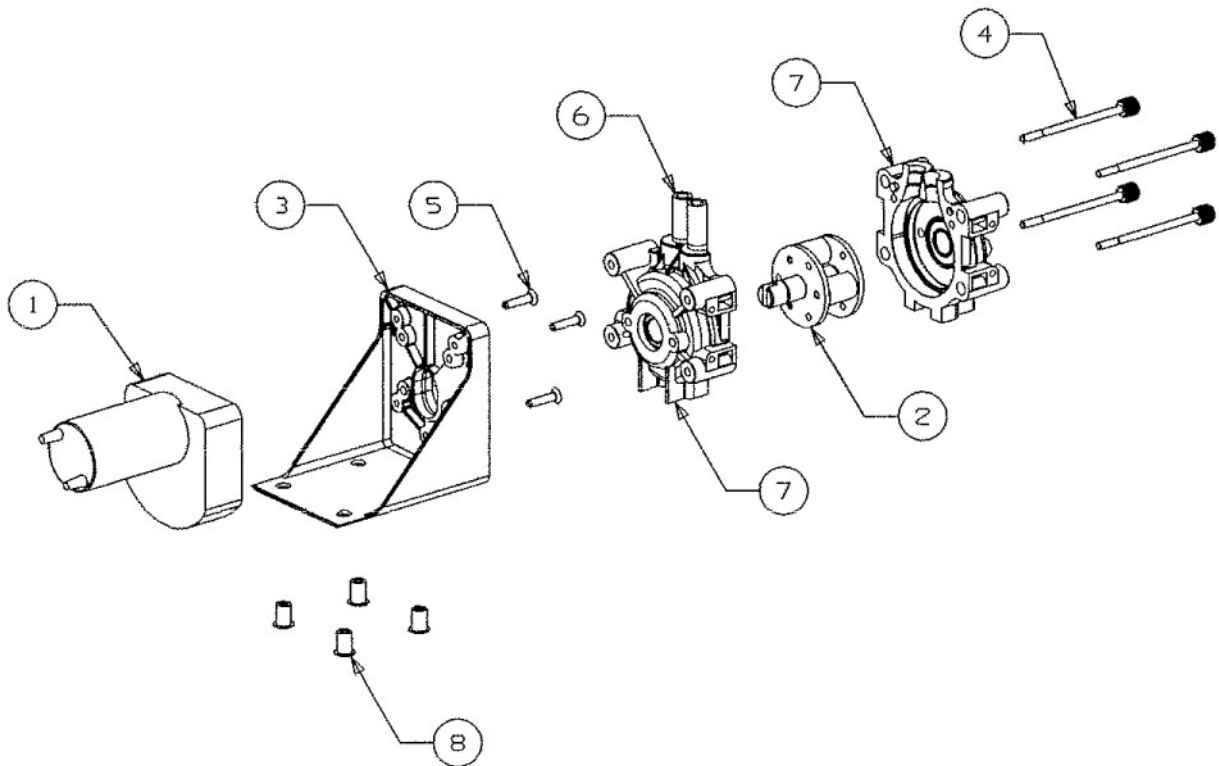


Figure 9.

Table 9. Pump Assembly

Item	Part No.	Description
1	45016001	Pump Gear Motor
2	45728001	Rotor Assembly (Thick Wall)
3	45050	Pump & Motor Mounting Block
4	720701407	Screw TH 08-32 PH 88 SS
5	0702905	Screw #8X3/4" FHMS
6	45098	Pump Tubing Kit (Pump Tubing, Clamps & Instructions)
*	45078	Pump Assembly (Items 2 & 7)
7	45727	Pump Body, Front/Rear
8	45283	Rubber Bushing W/Nutsert Insert

BOTTLE ADAPTER ASSEMBLY

P/N 45026X

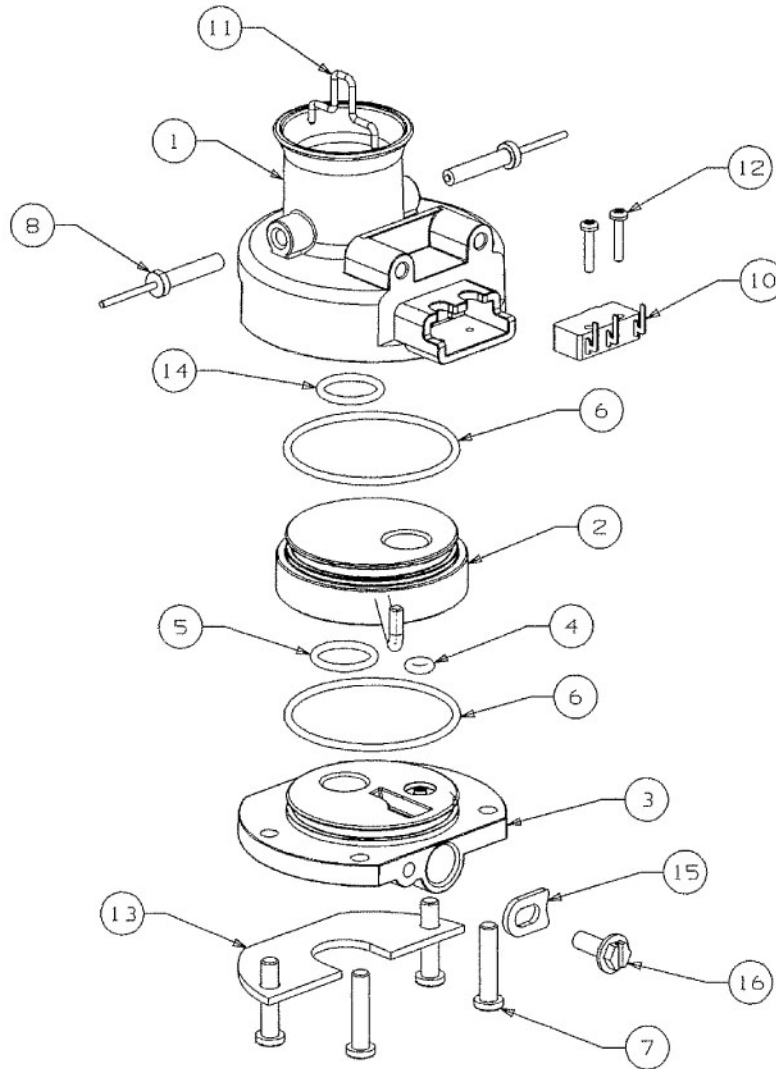


Figure 10.

Table 10. Bottle Adapter Assembly

Item	Part No.	Description
1	45060001	Caddy Adapter, Top
2	45060002	Run & Flush Valve
3	45060003	Caddy Adapter, Bottom
4	620051432	O-Ring Blue 0.120 ID & C/S.080 Dial. Quest Elite
5	31525064	O-Ring 5/8 inch OD X 0.489 ID TFE/SIL
6	31525061	O-Ring 1.489 inch ID X 0.070 inch DIA
*	45026100	O-Ring Kit (Includes All O-Rings Needed to Rebuild Bottle Adapter)
7	07015001	Screw, #8-18 HI-LO, PH

Table 10. Bottle Adapter Assembly

Item	Part No.	Description
8	45043	Pin-Sensor, Sold Out
10	60068021	Switch, Snap Action W/PC Switch
11	45076	Actuator Pin
12	60067086	Screw, #2-50 6X 7/16 inch PH, SS
13	45084001	Caddy Plate
14	31525014	O-Ring 5/8 inch OD X 0.489 ID
15	71822081	Washer Hold Down
16	07032001	Screw, #8-18 X 7/16 Type "25" HHWF

VALVE BLOCK ASSEMBLY

P/N 45508200X

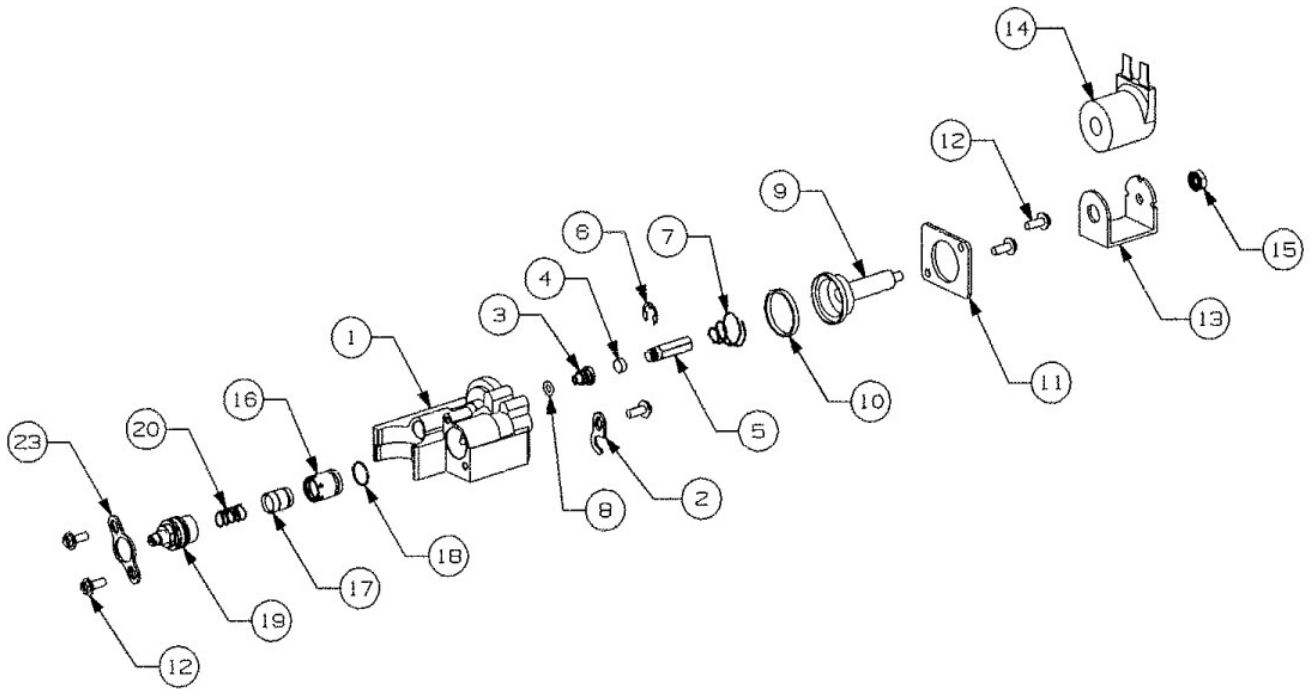


Figure 11.

Table 11. Valve Block Assembly

Item	Part No.	Description
1	45506100	Valve Block
2	45586	Hold Down Washer
3	49612	Valve Port, Water
4	620711131	Seal Armature - Water Side
5	71860290	Armature
6	71815321	Retaining Ring, 0.242 ID
7	18367	Coil Spring, SS
8	31525020	O-Ring 5/16" ODX0.176 ID
9	19695001	Guide
10	620710107	Gasket FFV/SEV
11	45518	Bracket, Valve Block
12	07032001	Screw, #8-18 X 7/16" Type "25" HHW
13	16779003	"C" Frame, Solenoid
14	48520001	Coil, 24VDC
15	0720406	Not #10-32 KEPS SS
16	60281001	Sleeve Syrup Ceramic SL
17	60280002	Piston Water Ceramic SL
18	31525060	O-Ring 459ID 040CS 70DU BU-N

Table 11. Valve Block Assembly

Item	Part No.	Description
*	48979103	Sleeve & Piston Asy Water Ceramic (Include items 16, 17&18)
19	7245699	Flow Control/Bonnet Assembly
20	48258005	Spring, Zero, FFV
23	45587	Hold Down Washer

ELECTRICAL BOX ASSEMBLY

P/N 720504304

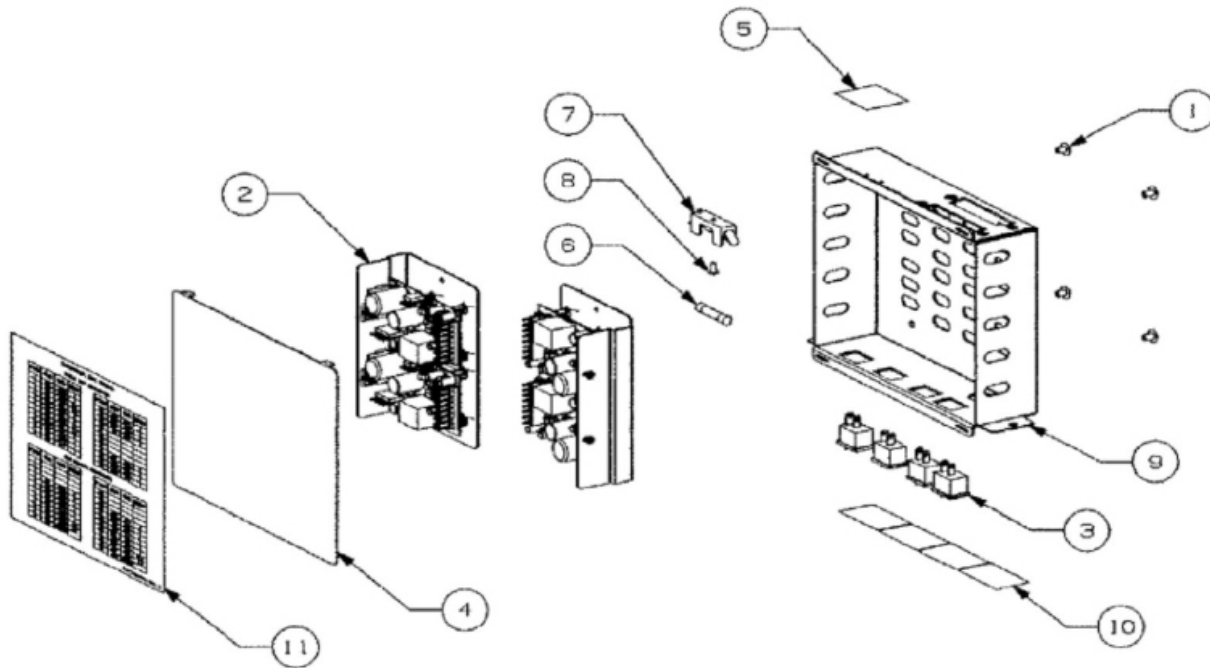


Figure 12.

Table 12. Electrical Box Assembly

Item	Part No.	Description
1	07061003	Screw #10 X 3/8" Type F HHW
2	720504504	Voltage Regulator Assembly
*	45012102	Voltage Regulator Board Only (includes insulator)
3	45432001	Hi/Low Speed Rocker Switch
4	720504414	Cover, Electrical Box
5	45758	Label-Fuse Rating
6	59328001	Fuse, 6.25 Amp, 250 VAC
7	7245059	Fuse Holder
8	734801	Up Rivet
9	720504404	Box Elec DC Quest 4000
10	45621	Label, Speed Switch
11	720500716	Label Wiring Electrical Box QST 4

GENERIC BOTTLE ASSEMBLY

P/N 720401107

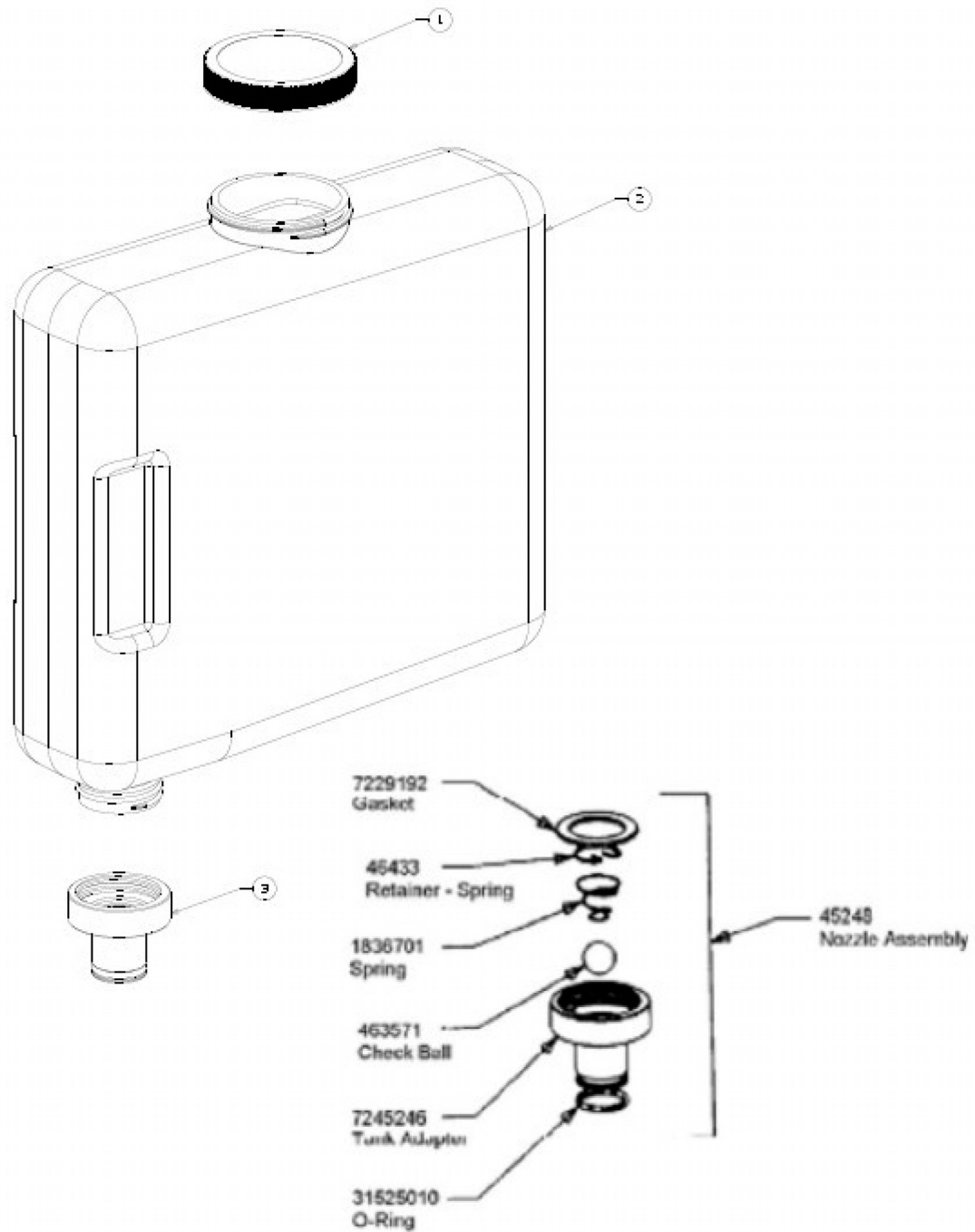


Figure 13.

Table 13. Generic Bottle Assembly

Item	Part No.	Description
1	720202010	Cap 400 Series QST
2	720401106	Bottle Refillable QST
3	45248	Adapter Assembly, Bottle

RECOMMENDED SPARE PARTS BASED ON 10 UNITS

Qty.	Part No.	Description
1	560004360	Condenser Fan, Motor 115V, 60Hz
1	560004361	Condenser Fan, Motor 230VAC
1	560004364	Fan Shroud
1	560004368	Grill Fan
1	560004366	Fan Blade
1	560004360	Motor- Fan 08W 120/60 Service
2	18367	Spring, Coil S/S-Water Solenoid
4	45098	Pump Tubing Kit
1	620051427	Switch Rocker Unmarkedv QSTE 2/4FL
1	720301104	Switch Rocker Sealed
2	720521500	Voltage Regulator Board, QLT
2	720504602	Voltage Regulator Board, SLJ
2	45016001	Pump Dear Motor
1	45026100	Bottle Adapter O-Ring Kit (all O-rings in bottle adapter)
1	45728001	Pump Rotor Assembly
1	48520001	Coil, 24 VDC, Valve Block
2	48979103	Spool & Sleeve Assembly W/31525-060 O-Ring
1	440000902	Global Ice Bank Control
1	720520501	Drip Tray Grill
1	720500102	Drip Tray
1	720502800	Agitator Motor
2	720506104	Cabinet Fan, 115 VAC
1	720507101	Dispense Nozzle, Static Mixer, & O-Ring
1	720508801	Push Button Control Board
2	720508802	Portion Control Board
1	620047655	Transformer 120 V 60 Hz 26 V@ 4A2
1	620047891	Valve Water W/solenoid QS T2 2/
1	620049856	Drip Tray Black W/texture QS T
1	729011215	Comp A EA 3417 YXA QS T2 2/4FL
1	720506104	Fan Assembly 115/60/50 4.7X4.7X1.0
1	620047654	Transformer 230V 60 230V 26V@4A2
1	620048651	Compressor 230V/50HZ QST 22/4F
1	620054204	Relay, Comp AEA 3417 YXA, 115V/60Hz
1	620054205	Overld,OLP, Comp, AEA 3417 YXA, 115V/60Hz
1	620054206	Relay, Comp, AEA 3417 YXL, 230V/50Hz
1	620054207	Overld,OLP, Comp, AEA3417 YXL, 230V/50HZ

Qty.	Part No.	Description
1	620054208	Relay, Comp, AEA3417 YXD, 220V/60HZ
1	620054209	Overld,OLP, Comp, AEA 3417 YXD 220V/60HZ

IMI Cornelius Inc.
www.cornelius.com