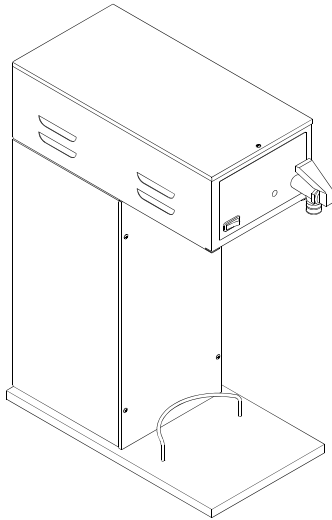


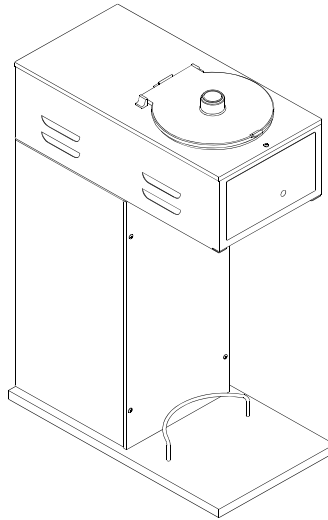
M-90 SERIES

Automatic And Pour-Over Coffee Brewers

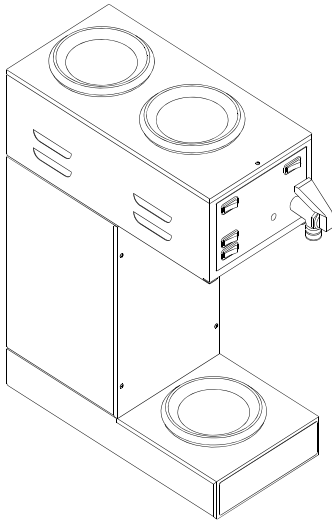
Parts And Service



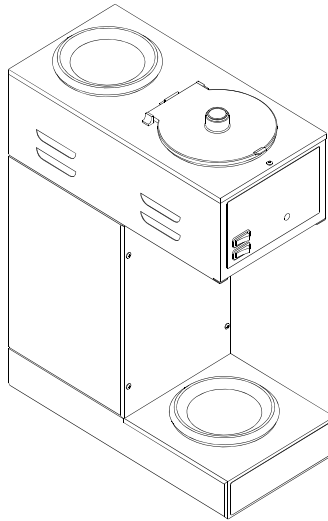
1010546
Automatic Airpot Brewer



1010547
Pour-Over Airpot Brewer



1010559
Automatic Brewer



1010548
Pour-Over Brewer



3828 S. Main St. Los Angeles, CA 90037
800-421-6860 • 310-787-5444 • Fax 310-787-5412
brewmatic.com

TABLE OF CONTENTS

Important Information Page 3

Appliance Information Page 4

Wiring Diagrams Pages 5 – 7

1010546 - M-90 Automatic Airpot Brewer

1010559 – M-90 Automatic Brewer

1010547 – M-90 Pour-Over Airpot Brewer

1010548 – M-90 Pour-Over Brewer

1010544 – M-90 Automatic Brewer, 120/240 Volts

Troubleshooting Guide Pages 8 - 14

Parts Diagrams And Parts Lists Pages 15 – 36

6003093 - Element Pan Assembly W/PTC Black

1010546 - M-90 Automatic Airpot Brewer

1010559 & 1010544 – M-90 Automatic Brewer

Tank Assembly – M-90 Automatic Brewers

1010547 – M-90 Pour-Over Airpot Brewer

1010548 – M-90 Pour-Over Brewer

Tank Assembly – M-90 Pour-Over Brewers

Previous Tank Fitting Revisions

IMPORTANT INFORMATION

Read all instructions and safeguards included in the original packaging, and this service manual, carefully and completely before installing, operating or servicing this appliance. Additional copies of installation instructions and service manuals are available upon request.

The proper performance of service is essential for the safe and effective operation of this appliance. Repairs should be performed by qualified service personnel only. If you are unable to, or need help servicing this appliance, contact the nearest Brewmatic Authorized Service Agent or you can contact Brewmatic at 800-421-6860.

Only Authorized Replacement Parts Should Be Used. Part substitutions could create a fire hazard and the risk of personal injury. The use of replacement parts or accessory attachments not recommended by Brewmatic may be hazardous.

Do Not By-Pass Any Safety Mechanisms Or Operate This Appliance Without Covers In Place. Brewmatic requires that all safety devices and covers be in place and functioning at all times to guard against a fire hazard and the risk of personal injury.

Brewmatic Does Not Recommend, And Will Not Furnish Anyone With Information For Changing The Electrical Rating Of Any Appliance Manufactured Or Distributed By Brewmatic. Brewmatic will not approve of any unauthorized changes to the basic design of this appliance. Any modification or alteration to the appliance may create a fire hazard, may create a risk of personal injury, may void the safety listings and may void the warranty.

Plumbing connections - All plumbing connections to water supply lines and drains should be performed by a licensed plumber complying with all applicable plumbing codes having jurisdiction.

Electrical connections - With the exception of cords with plugs already attached, all electrical connections or alterations to the power supply should be performed by a licensed electrician complying with all applicable electrical codes having jurisdiction.

When repairing or replacing internal electrical wiring, in part or in whole, use only terminals and wires with the same rating, gauge and insulation covering.

When calling for information, parts or service, have the model number, serial number, voltage, phase and date of purchase available. Electrical information may be obtained from the electrical information nameplate located on the appliance.

All procedures, diagrams and specifications contained in this manual are based on the latest information available at the time of publication. Information, parts and specifications are subject to change without notice.

We assume no liability for any damage to person or property caused by the utilization of this publication to effect maintenance or repairs.

Due to periodic reviews and changes in safety listing standards, listings and approvals may change at any time. For current listing and approval information contact Brewmatic.

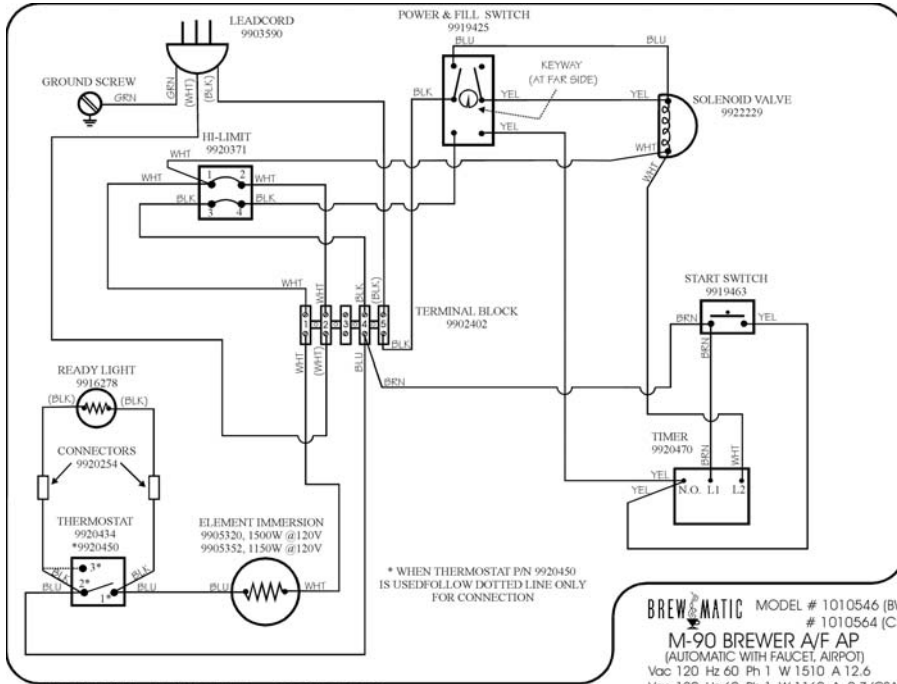
Appliance Specifications:

Model Number:	1010546	1010559	1010544	1010547	1010548
Description:	M-90 Automatic Airpot Brewer With Faucet	M-90 Automatic Brewer With Faucet	M-90 Automatic Brewer With Faucet	M-90 Pour-Over Airpot Brewer	M-90 Pour-Over Brewer
Volts:	120	120	120/240	120	120
Watts:	1510	1780	3600	1500	1680
Amps:	12.5	14.8	15.0	12.5	14.0
Hertz:	60	60	60	60	60
Phase:	1	1	1	1	1
Power Supply Cord:	6 Ft., 2 wire + ground, 15 Amp, 14 awg.	6 Ft., 2 wire + ground, 15 Amp, 14 awg.	6 Ft., 3 wire + ground, 20 Amp, 14 awg.	6 Ft., 2 wire + ground, 15 Amp, 14 awg.	6 Ft., 2 wire + ground, 15 Amp, 14 awg.
Plug:	NEMA 5-15 P. Furnished and attached.	NEMA 5-15 P. Furnished and attached.	NEMA L14-20 P. Furnished and attached.	NEMA 5-15 P. Furnished and attached.	NEMA 5-15 P. Furnished and attached.
Power Supply Required:	120 volt, 15 amp, dedicated circuit.	120 volt, 15 amp, dedicated circuit.	120/240 or 120/208 volt, 20 amp, dedicated circuit.	120 volt, 15 amp, dedicated circuit.	120 volt, 15 amp, dedicated circuit.
Wall Receptacle Required:	15 Amp. NEMA 5-15 R. Not furnished.	15 Amp. NEMA 5-15 R. Not furnished.	20 Amp. NEMA L14-20R. Not furnished.	15 Amp. NEMA 5-15 R. Not furnished.	15 Amp. NEMA 5-15 R. Not furnished.
Water Supply Required:	30 psi min., 80 psi max.	30 psi min., 80 psi max.	30 psi min., 80 psi max.	None required.	None required.
Water Connection:	1/4" Flare. Flared nut supplied.	1/4" Flare. Flared nut supplied.	1/4" Flare. Flared nut supplied.		
Listings:	UL, NSF, MEA & LA Mech.	UL, NSF, MEA & LA Mech.	UL, NSF, MEA & LA Mech.	UL, NSF, MEA & LA Mech.	UL, NSF, MEA & LA Mech.

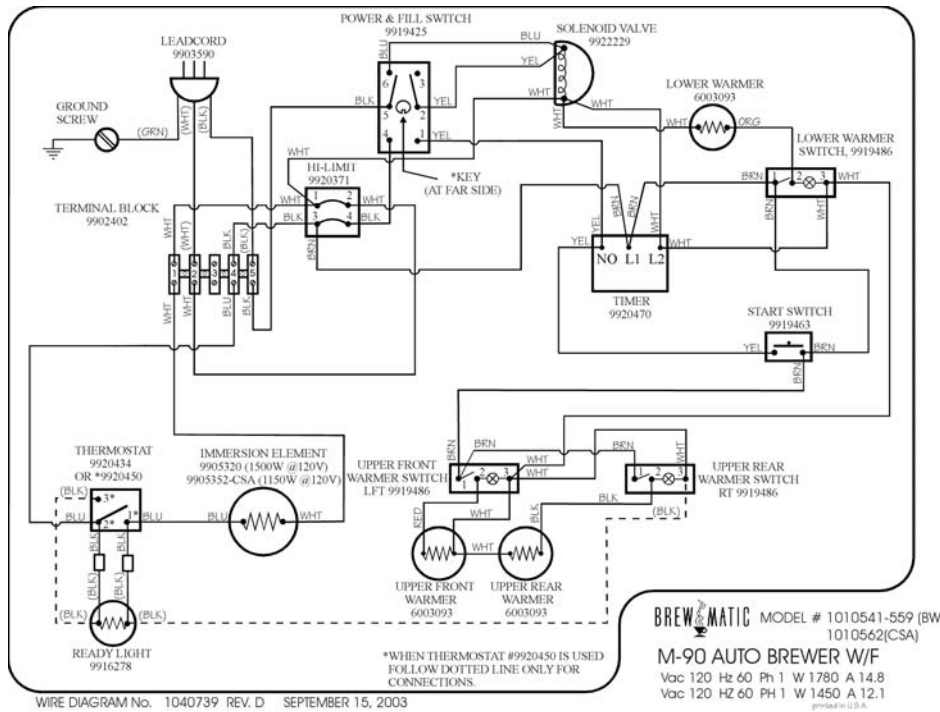
Additional Information:

Brewing Capacity:	74 oz. maximum.	64 oz. maximum.	64 oz. maximum.	64 oz. maximum.	64 oz. maximum.
Brewing Temperature:	192° - 196°F	192° - 196°F	192° - 196°F	192° - 196°F	192° - 196°F
Temperature Adjustment:	☺ Increase. ☹ Decrease	☺ Increase. ☹ Decrease	☺ Increase. ☹ Decrease	☺ Increase. ☹ Decrease	☺ Increase. ☹ Decrease
Beverage Adjustment:	☺ Increase. ☹ Decrease	☺ Increase. ☹ Decrease	☺ Increase. ☹ Decrease	None	None
Timer Setting:	2:10 Min., Approximately	1:50 Min., Approximately.	1:50 Min., Approximately.	None	None
Faucet Adjustment:	☺ Increase. ☹ Decrease	☺ Increase. ☹ Decrease	☺ Increase. ☹ Decrease	None	None
Flow Control:	.19 gpm. Not Adjustable.	.25 gpm. Not Adjustable.	.25 gpm. Not Adjustable.	None	None
Hi-Limit Thermostat:	Manual. Not adjustable.	Manual. Not adjustable.	Manual. Not adjustable.	Manual. Not adjustable.	Manual. Not adjustable.
Receptacle Supplied On Unit	None.	None.	NEMA 5-15R, 120v, Switched. 600w maximum.	None.	None.

WIRING DIAGRAM

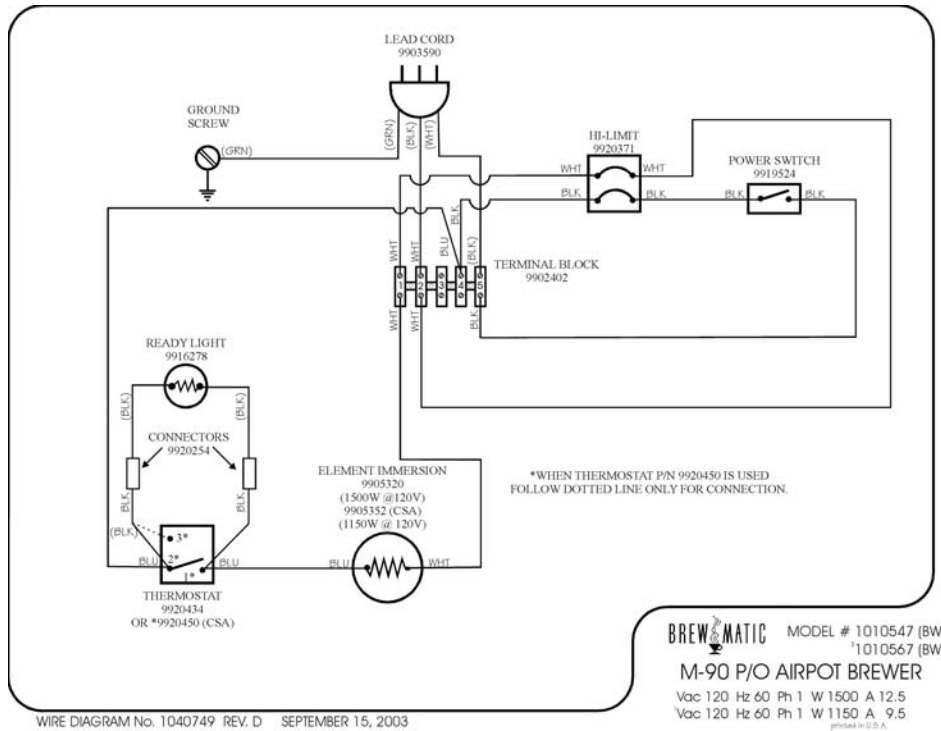


1010546 - M-90 Automatic Airpot Brewer

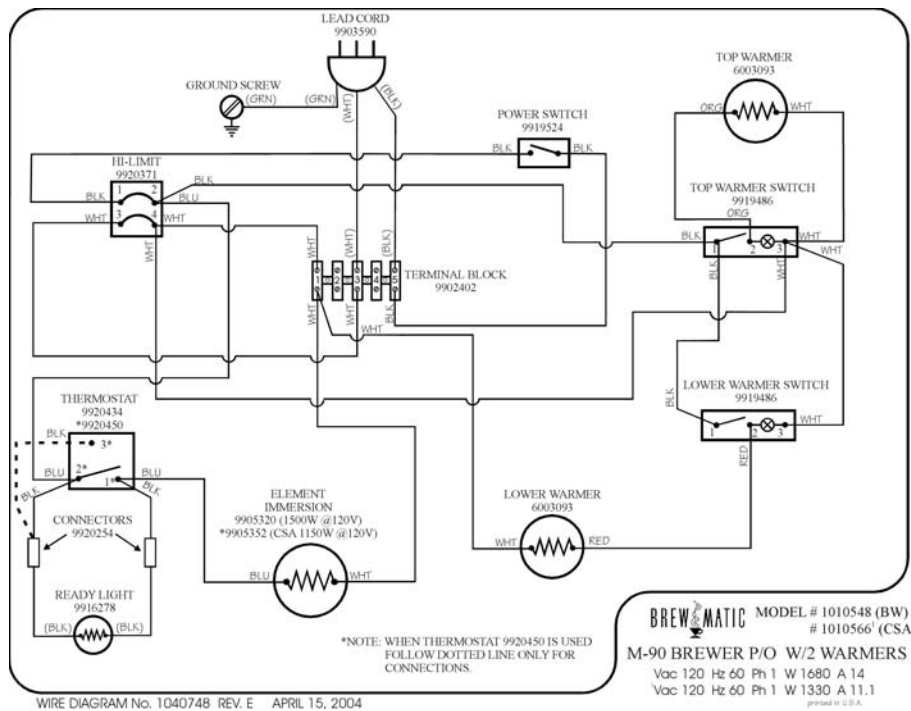


1010559 - M-90 Automatic Brewer

WIRING DIAGRAM

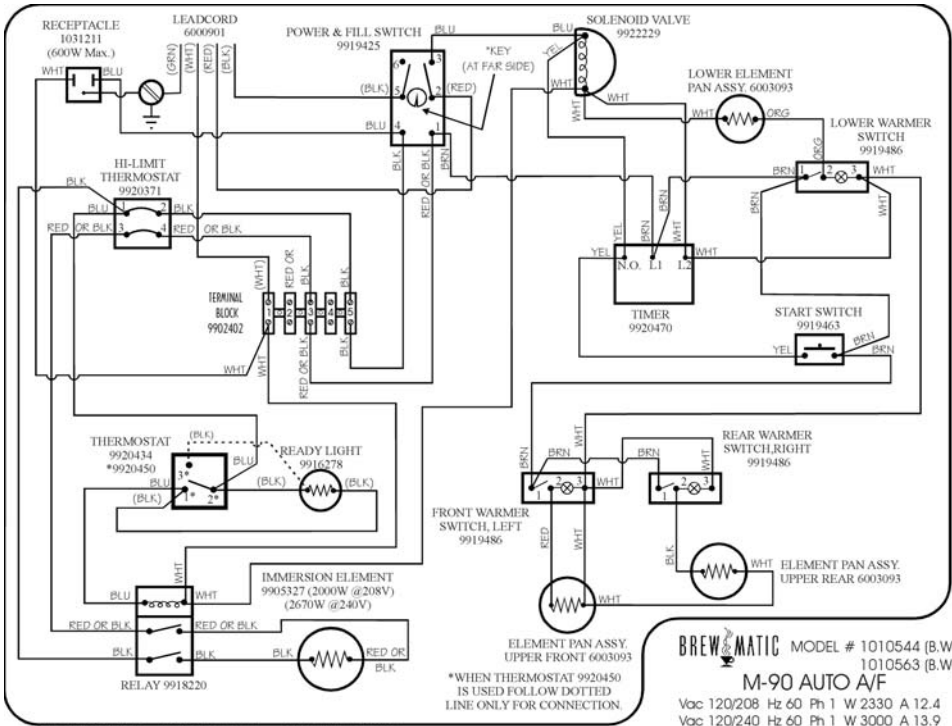


1010547 - M-90 Pour-Over Airpot Brewer



1010548 - M-90 Pour-Over Brewer

WIRING DIAGRAM



WIRE DIAGRAM No. 1040751 REV. E FEBRUARY 3, 2004

1010544 - M-90 Automatic Brewer, 120/240 Volts

TROUBLESHOOTING

Read and follow the cautions below before attempting to service this coffee brewer.

CAUTION:

Read and verify that the installation instructions have been followed before attempting to operate this appliance. Incorrect installation or operating procedures will void the warranty and may damage this appliance.

Unplug the power cord before servicing, unless electrical testing is required. Be certain the power supply is of the correct rating and polarity before connecting the power supply cord. The chassis must be grounded to prevent possible electric shock. Failure to heed this warning may damage this appliance and may cause injury.

Under no circumstance should the hi-limit thermostat be by-passed. In the event of failure the hi-limit thermostat should be replaced. Use only original or authorized replacement parts.

Carefully inspect the internal wiring for wear or damage when servicing. Worn or damaged wiring may cause malfunctions and premature component failures. Replace any wires that have loose connections, damaged insulation or show evidence of overheating. When repairing or replacing internal electrical wiring, in part or in whole, use only terminals and wires with the same rating, gauge and insulation covering.

Adjusting the faucet flow beyond factory recommended settings could result in rapid cooling of the faucet flow or result in excessive faucet head pressure.

Symptoms	Solutions
1. The coffee brewer will not operate. The lights and warmers do not work, and the coffee brewer will not brew coffee.	<p>Make sure the power supply cord is connected to a proper, working wall receptacle.</p> <p>Make sure the "On-Off-Fill" switch has been turned on. (Pour-over models have an "On-Off" switch.)</p> <p>Check the main circuit breaker in the building to see if it has tripped.</p> <p>Reset or replace the hi-limit thermostat. (120v models only.)</p> <p>Check to make sure the internal wiring is correct. Inspect for loose, damaged or overheating wires or terminals. Repair or replace wiring as necessary.</p> <p>Test the "On-Off-Fill" switch. Replace it if necessary. (Pour-over models have an "On-Off" switch only.)</p> <p>Test the power supply cord. Replace it if necessary.</p>

Symptoms	Solutions
<p>2. The coffee brewer will not brew coffee. The lights and warmers work, and the coffee brewer heats.</p>	<p>Test the start switch. Replace it if necessary. (Automatic models only.)</p> <p>Water or condensation on the timer may cause it to malfunction. Dry the timer and retest. (Automatic models only.)</p> <p>On pour-over models, water must be poured in to initiate a brew cycle. Pour in approximately 64 oz. of water for each brew cycle. See installation instructions for correct procedures. (Pour-over models only.)</p> <p>Inspect the reservoir and reservoir tubing for blockage. (Pour-over models only.)</p> <p>Check to make sure the internal wiring is correct. Inspect for loose, damaged or overheating wires or terminals. Repair or replace wiring as necessary.</p> <p>Test the timer. Replace it if necessary. (Automatic models only.)</p> <p>Open the flow control and clean the flow control washer and flow control screen. (Automatic models only.)</p> <p>Test the "On-Off-Fill" switch. Replace it if necessary. (Automatic models only.)</p> <p>Test the solenoid valve. Replace it if necessary. (Automatic models only.)</p> <p>If present, check any in-line water filters, check valves or shut-off valves for proper operation or blockage. (Automatic models only.)</p>
<p>3. The coffee brewer will not heat. The lights and warmers work. The water for brewing is cold.</p>	<p>Reset or replace the hi-limit thermostat. (120/240v models only).</p> <p>Test the thermostat. Replace it if necessary.</p> <p>Test the immersion element. Replace it if necessary.</p> <p>Check to make sure the internal wiring is correct. Inspect for loose, damaged or overheating wires or terminals. Repair or replace wiring as necessary.</p> <p>Test the power relay. Replace it if necessary. (120/240v models only.)</p>
<p>4. The coffee brewer takes much longer than normal to heat. The lights and warmers work.</p>	<p>Test the thermostat. Replace it if necessary.</p> <p>Test the voltage supply. The voltage supplied should match the voltage requirement on the electrical nameplate.</p> <p>Test the immersion element. Replace it if necessary.</p> <p>Check to make sure the internal wiring is correct. Inspect for loose, damaged or overheating wires or terminals. Repair or replace wiring as necessary.</p> <p>Test the power relay. Replace it if necessary. (120/240v models only.)</p>

Symptoms	Solutions
<p>5. The hi-limit thermostat keeps activating.</p>	<p>Test the hi-limit thermostat. Replace it if necessary.</p> <p>Test the brewing temperature. Adjust the thermostat if necessary. (See #7).</p> <p>Check the hi-limit thermostat mounting clip. When placed in the mounting clip, the hi-limit should be just snug against the tank. Too much pressure against the tank could cause the hi-limit to activate prematurely.</p> <p>Inspect the wiring on the hi-limit thermostat for loose, damaged or overheating wires or terminals. Repair or replace wiring as necessary.</p> <p>Test the power relay. Replace it if necessary. (120/240v models only.)</p> <p style="text-align: center;">WARNING</p> <p>Under no circumstance should the hi-limit thermostat be by-passed. In the event of failure, the hi-limit thermostat should be replaced. Use only original or authorized replacement parts.</p>
<p>6. The coffee brewer trips the buildings circuit breaker.</p>	<p>Too many appliances are connected on one electrical circuit.</p> <p>The electrical circuits amperage rating is too low. Locate a correctly rated circuit or call an electrician to correct this problem.</p> <p>This coffee brewer may require a dedicated wall circuit. Check the electrical specifications.</p> <p>Check to make sure the internal wiring is correct. Inspect for loose, damaged or overheating wires or terminals. Repair or replace wiring as necessary.</p> <p>Inspect the immersion element for damage. Replace it if necessary.</p>
<p>7. The brewing temperature is either too hot or too cold.</p>	<p>The thermostat bulb must be in its clip and attached to the immersion element correctly.</p> <p>Inspect the thermostat bulb for excessive lime buildup. Clean the bulb if necessary.</p> <p>Adjust or replace the thermostat.</p> <p>Thermostat Adjustment:</p> <p>9920434: Clockwise to increase, Counter-clockwise to decrease.</p> <p>9920450: Counter-Clockwise to increase, clockwise to decrease.</p> <p>Turn the adjustment screw a maximum of 1/8 turn per adjustment. Retest and adjust again if necessary. The recommended temperature is between 192° and 196°F. Test below brew cone with water only.</p> <p style="text-align: center;">WARNING:</p> <p>If the thermostat cannot be adjusted properly it should be replaced. The thermostat is calibrated at the factory and no attempt should be made to recalibrate it. Use only original or authorized replacement parts.</p> <p>Test the power relay. Replace it if necessary. (120/240v models only.)</p>

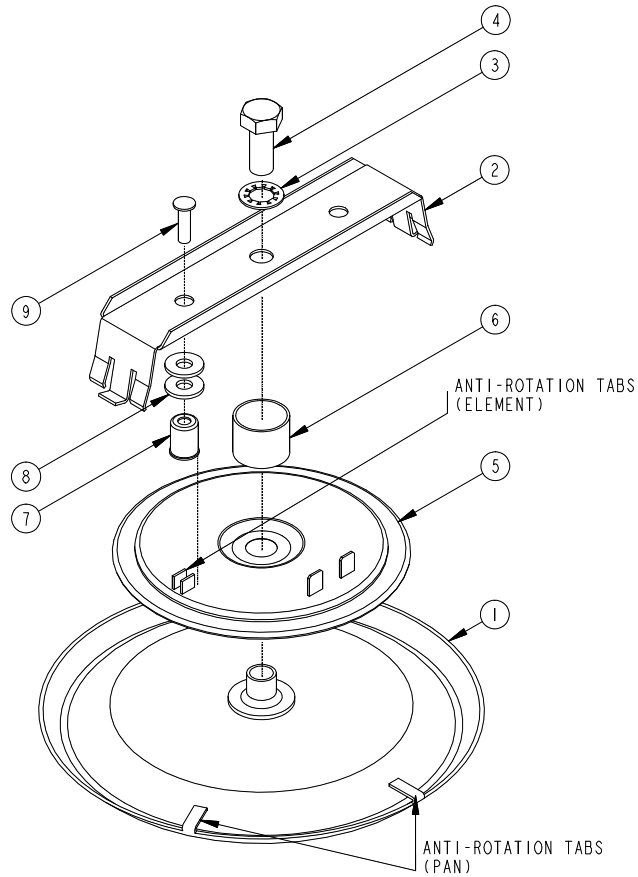
Symptoms	Solutions
<p>8. The brewing cycle is too slow.</p>	<p>Inspect and clean the spray head, silicone tubing and siphon fittings.</p> <p>Inspect and clean the siphon screen on the inside of the tank.</p>
<p>9. The beverage level is consistently high or consistently low. (Automatic models only.)</p>	<p>Adjust the timer. To increase the beverage level, turn the timer adjustment knob clockwise. To decrease the beverage level, turn the adjustment knob counterclockwise. Turn the adjustment knob 1/2 reference mark maximum per adjustment. Retest and adjust again if necessary. Note: The marks on the timer are for reference only and are not intended as an accurate measurement of time.</p> <p>Test the timer. Replace it if necessary.</p> <p>Open the flow control and clean the flow control washer and flow control screen.</p> <p>The flow control washer should be .19 GPM for model 1010546 only and .25 GPM for models 1010544 & 1010559 only. Incorrect flow washers can cause inaccurate beverage levels.</p> <p>Test the incoming water supply pressure. Water pressure should be between 30 and 80 psi. If the water pressure exceeds 80psi, install a water pressure regulator and reduce the water pressure to 50psi.</p>
<p>10. The beverage level is inconsistent.</p>	<p>Inspect and clean the spray head, silicone tubing and siphon fittings.</p> <p>Inspect and clean the siphon screen on the inside of the tank.</p> <p>Inspect the reservoir and reservoir tubing for blockage. (Pour-over models only.)</p> <p>Make sure the tank cover is in place correctly and that the gaskets are in good condition.</p> <p>Water or condensation on the timer may cause it to malfunction. Dry the timer and retest. (Automatic models only.)</p> <p>Test the incoming water supply for inconsistent water pressure. If the water pressure is inconsistent, install a water pressure regulator and reduce the water pressure to minimize the water pressure fluctuations. (Automatic models only.)</p> <p>Test the timer. Replace it if necessary. (Automatic models only.)</p> <p>Adjust or replace the thermostat. (See #7.)</p> <p>If present, check any in-line water filters, check valves or shut-off valves for proper operation or blockage. (Automatic models only.)</p> <p>Check the faucet coil fittings inside the tank for leaks. Tighten or replace these fittings as necessary. (Automatic models only.)</p> <p>Test the solenoid valve for leaks. Repair or replace it if necessary. (Automatic models only.)</p>

Symptoms	Solutions
<p>11. Water drips from the spray head for a long time after the brew cycle is finished.</p>	<p>Inspect and clean the spray head, silicone tubing and siphon fittings.</p> <p>Inspect and clean the siphon screen on the inside of the tank.</p> <p>Inspect the reservoir and reservoir tubing for blockage. (Pour-over models only.)</p>
<p>12. The brewing cycle starts by itself. (Automatic models only.)</p>	<p>Test the start switch. Replace it if necessary.</p> <p>Water or condensation on the timer may cause it to malfunction. Dry the timer and retest.</p> <p>Test the "On-Off-Fill" switch. Replace it if necessary.</p> <p>Check the faucet coil fittings inside the tank for leaks. Tighten or replace these fittings as necessary.</p> <p>Test the solenoid valve for leaks. Replace it if necessary.</p> <p>Check to make sure the internal wiring is correct. Inspect for loose, damaged or overheating wires or terminals. Repair or replace wiring as necessary.</p> <p>Test the incoming water supply pressure. Water pressure should be between 30 and 80 psi. Excessive water pressure can cause the valve to open or leak. If the pressure exceeds 80 psi, install a pressure regulator and reduce pressure to 50 psi.</p> <p>Water flow should enter the solenoid valve on the side marked "IN". Water entering the valve on the wrong side may cause the valve to open or leak.</p> <p>Inspect and clean the spray head, silicone tubing and siphon fittings.</p> <p>Inspect and clean the siphon screen on the inside of the tank.</p>
<p>13. The brewing cycle will not shut off. (Automatic models only.)</p>	<p>Test the start switch. Replace it if necessary.</p> <p>Test the "On-Off-Fill" switch. Replace it if necessary.</p> <p>Water or condensation on the timer may cause it to malfunction. Dry the timer and retest.</p> <p>Check to make sure the internal wiring is correct. Inspect for loose, damaged or overheating wires or terminals. Repair or replace wiring as necessary.</p> <p>Test the timer. Replace it if necessary.</p> <p>Check the faucet coil fittings inside the tank for leaks. Tighten or replace these fittings as necessary.</p> <p>Test the incoming water supply pressure. Water pressure should be between 30 and 80 psi. Excessive water pressure can cause the valve to open or leak. If the water pressure exceeds 80 psi, install a water pressure regulator and reduce the water pressure to 50 psi.</p> <p>Water flow should enter the solenoid valve on the side marked "IN". Water entering the valve on the wrong side may cause the valve to open or leak.</p>

Symptoms	Solutions
<p>14. Parts are failing frequently.</p>	<p>Check to make sure the internal wiring is correct. Inspect for loose, damaged or overheating wires or terminals. Repair or replace wiring as necessary.</p> <p>Test the voltage supply. The voltage supplied should match the voltage requirement on the electrical nameplate.</p> <p>Test the wall receptacle for correct polarity.</p> <p>Use only original, or authorized, replacement parts.</p>
<p>15. Water leaks from the bottom of the coffee brewer.</p>	<p>Inspect and clean the spray head, silicone tubing and siphon fittings.</p> <p>Inspect the reservoir and reservoir tubing for blockage. (Pour-over models only.)</p> <p>Make sure the tank cover is in place correctly and that the gaskets are in good condition.</p> <p>Inspect the tank and tank fittings for leaks.</p> <p>The flow control washer should be .19 GPM for model 1010546 only and .25 GPM for models 1010544 & 1010559 only. Incorrect flow washers may cause the tank to overflow. (Automatic models only.)</p> <p>Adjust the timer. (See #9.) (Automatic models only.)</p>
<p>16. The water from the hot water faucet comes out too fast or too slow. (Automatic models only.)</p>	<p>Adjust the faucet adjustment needle valve to approximately 5 oz. In 15 to 20 seconds. Turn the adjustment counterclockwise to increase the faucet flow, clockwise to decrease the faucet flow.</p>
<p>17. The water from the hot water faucet is not hot enough. (Automatic models only.)</p>	<p>Make sure that the faucet is adjusted correctly. (See #16.)</p> <p>The coffee brewer must be on and heated before the faucet will deliver hot water.</p>
<p>18. The hot water faucet drips constantly. (Automatic models only.)</p>	<p>Check the faucet seat cup. If the seat cup appears cracked or dried out, replace the seat cup.</p> <p>Inspect the faucet for wear or leaks. Replace it if necessary.</p>
<p>19. No water at the hot water faucet. The brewing cycle works. (Automatic models only.)</p>	<p>Make sure that the faucet adjustment valve is turned on and adjusted correctly. (See #16.)</p> <p>Check the faucet and faucet water lines for blockage.</p>
<p>20. The warmers will not heat. (Models with warmers only.)</p>	<p>Test the warmer switch. Replace it if necessary.</p> <p>Check to make sure the internal wiring is correct. Inspect for loose, damaged or overheating wires or terminals. Repair or replace wiring as necessary.</p> <p>Test the warmer element. Replace it if necessary.</p>

Symptoms	Solutions
<p>21. The solenoid valve chatters or howls. (Automatic models only.)</p>	<p>Check to make sure the internal wiring is correct. Inspect for loose, damaged or overheating wires or terminals. Repair or replace wiring as necessary.</p> <p>The coffee brewer should be connected to a cold water line only.</p> <p>Copper tubing should not touch the coffee brewer or counter top. Position the tubes so that they are not touching anything.</p> <p>Test the incoming water supply pressure. Water pressure should be between 30 and 80 psi. Excessive water pressure can cause the valve to chatter. If the water pressure exceeds 80psi, install a water pressure regulator and reduce the water pressure to 50 psi.</p> <p>Water hammer. Contact a plumber to correct this problem.</p> <p>Test the solenoid valve. Replace it if necessary.</p>
<p>22. The coffee tastes weak or does not taste good.</p>	<p>Inspect and clean the spray head, silicone tubing and siphon fitting.</p> <p>The spray head should be in place and clean for proper coffee extraction.</p> <p>Test the brewing temperature. Adjust if necessary. (See #7.)</p> <p>Test the brew cycle for correct beverage level. Adjust if necessary. (See #9.) (Automatic models only.)</p> <p>Adjust the amount of ground coffee being used.</p> <p>Adjust the grind of the coffee.</p> <p>Make sure that the paper filter being used is correct for this type of coffee brewer.</p>
<p>23. There are coffee grounds in the brewed coffee.</p>	<p>Test the brew cycle for correct beverage level. (See #9.) Adjust if necessary. (Automatic models only.)</p> <p>Inspect the brew cone for wear or damage. Replace it if necessary.</p> <p>Adjust the amount of ground coffee being used or adjust the grind of the coffee. Too much coffee or coffee that is ground too fine may slow the flow of the water through the coffee.</p> <p>Make sure that the paper filter being used is correct for this type of coffee brewer.</p> <p>Two paper filters may have been used accidentally. Use only one filter per brew cycle.</p> <p>Fine grind coffees and water softening systems may affect the way the water flows through the brew cone and coffee, and may cause coffee grounds to show up in the brewed coffee. There are several options available to help solve this problem: Extended brew spray heads, wide base brew cones or a paper filter designed for faster water flow. Call Brewmatic for complete details and options.</p>

PARTS DIAGRAM & PARTS LIST
 6003093 – Element Pan Assembly W/PTC Black



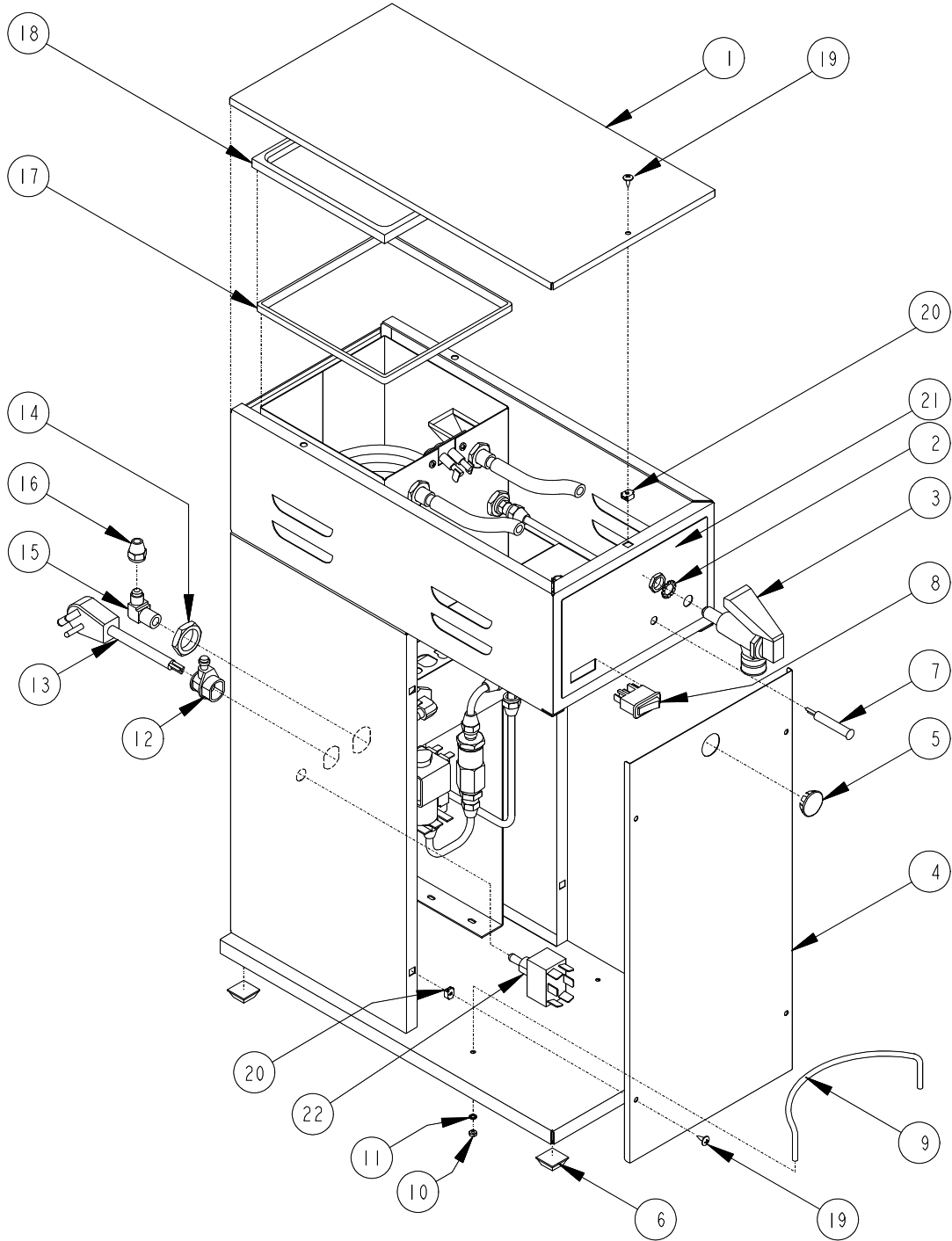
Item No.	Part No.	Description
1.	6001020	Element Pan Assembly, Black
2.	6004021	Bracket, Element
3.	9303115	Washer, Lock, With Internal Tooth, 5/16"
4.	9010115	Screw, Machine, 5/16"-18 x 3/4"
5.	9905329	Element, PTC
6.	6000578	Spacer, Element
7.	9905350	Eyelet, Element Pan
8.	9301106	Washer, #10 x .049 Thick, S/S
9.	9918270	Rivet, Tubular Aluminum

The PTC, or Positive Temperature Coefficient element is a self-regulating element that adjusts its temperature to maintain a consistent preset level. The result is an even beverage temperature regardless of the level in the decanter.

Another feature of this element is its ability to operate with voltages between 100 through 240, and still maintain the same temperature settings.

PARTS DIAGRAM – EXTERNAL VIEW

1010546 – M-90 Automatic Airpot Brewer



PARTS LIST – EXTERNAL VIEW

1010546 – M-90 Automatic Airpot Brewer

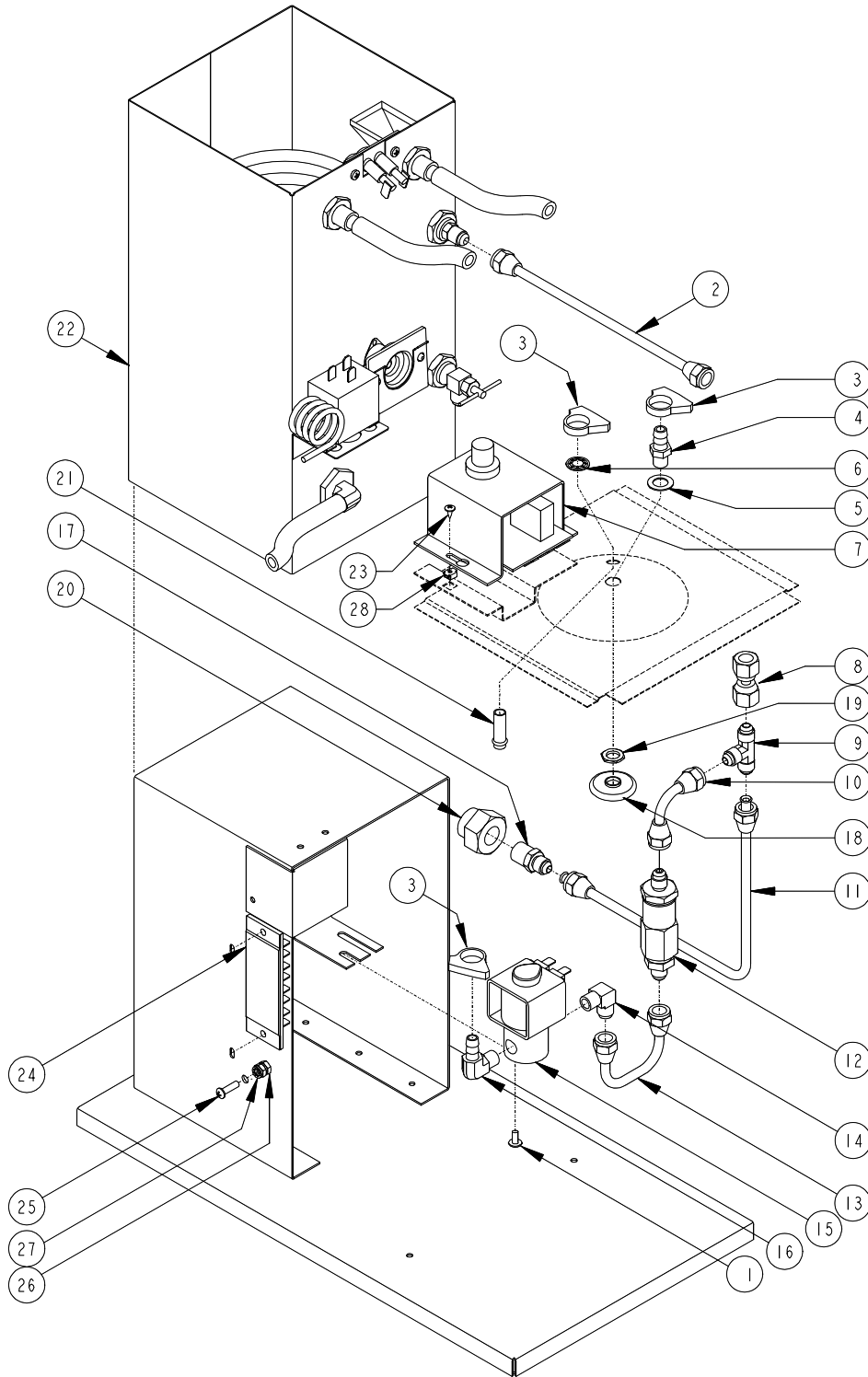
Item No.	Part No.	Description
1.	1010020	Top Cover, Auto
2.	9303124	Washer, Lock, With External Tooth
3.	9906477	Faucet, Pressure, M-90
	9919457	Seat Cup, Faucet
	9901122	Aerator, Faucet
	9921119	Faucet Upper Assy
4.	1010137	Panel, Front Access
5.	9916176	Plug, Snap, 7/8"
6.	9906407	Foot, Stick on
7.	9916278	Pilot Light, 125v, Green
8.	9919463	Switch, Start, Black
9.	1010139	Rail, Locator
10.	9201152	Nut, Hex, 1/4", #6-32
11.	9303103	Washer, Lock, With Internal Tooth, #6
12.	9902329	Bushing, Strain Relief
13.	9903590	Cord, Lead
14.	6000011	Nut, Hex
15.	9906201	Fitting, Elbow, Flared, 1/4" Tube, Brass
16.	9906103	Fitting, Flared Nut, 1/4", Brass
17.	1010254	Gasket, Tank
18.	1010231	Lid, Tank
19.	9004104	Screw, Sheet Metal, #6 x 3/8"
20.	9914354	Nut, Expansion
21.	1040724	Facia, Hood, Black
22.	9919425	Switch, Toggle

Not Shown

6000641	Cone, Wide Bottom, Black
---------	--------------------------

PARTS DIAGRAM – INTERNAL VIEW

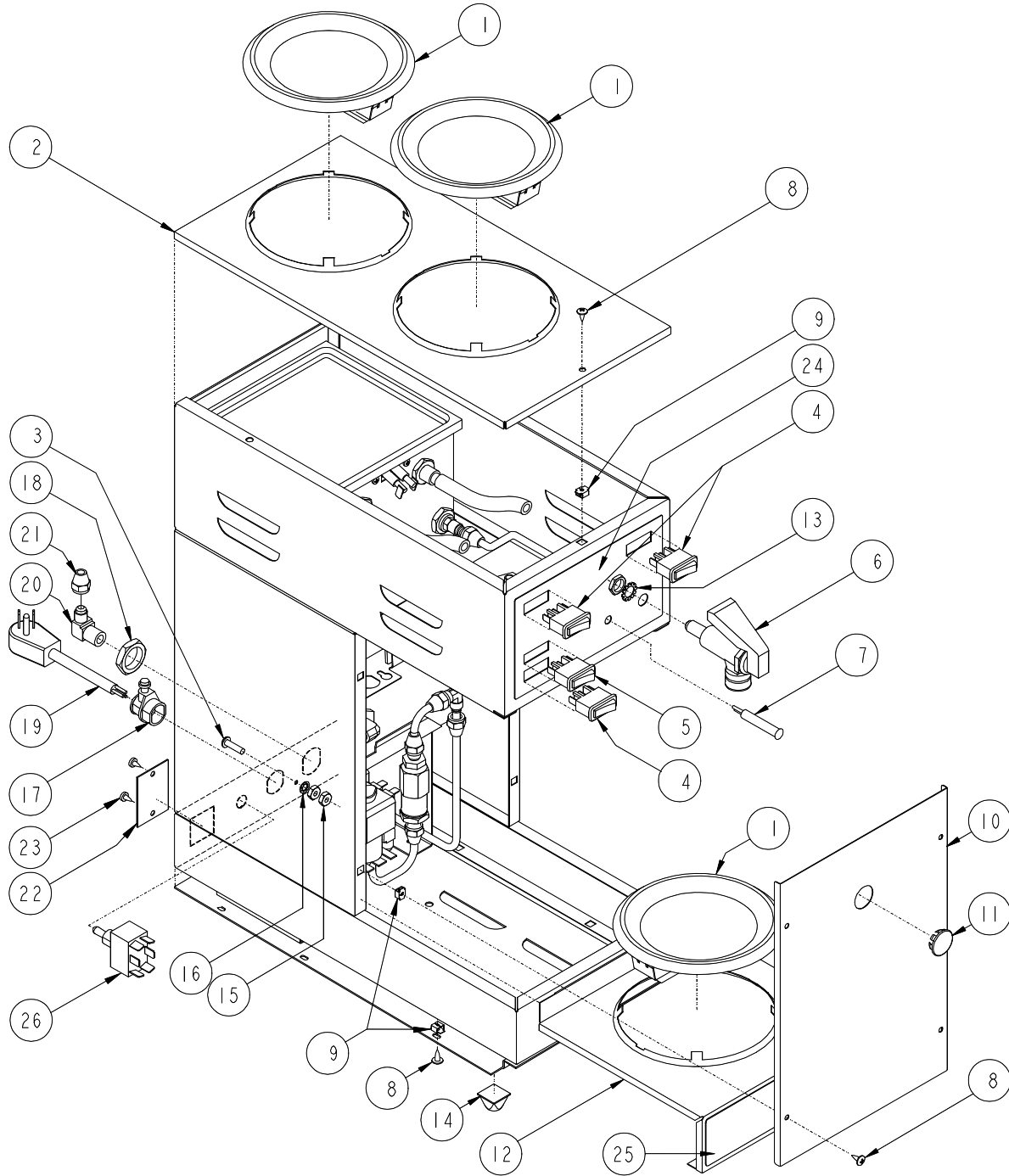
1010546 – M-90 Automatic Airpot Brewer



PARTS LIST – INTERNAL VIEW
1010546 – M-90 Automatic Airpot Brewer

Item No.	Part No.	Description
1.	9001258	Screw, Machine, #10-32 x 1/4"
2.	1010150	Tube, Assembly, Faucet
3.	9903549	Clamp, Hose, Double Tang
4.	6000792	Fitting, 1/8" Straight Pipe x 5/16"
5.	9907223	Gasket, S/S, 13/32" ID x 11/16" OD x .032 Thick
6.	9914360	Nut, Push On, 5/16", S/S
7.	9920470	Timer, W/Relay Output, 120v
8.	9914363	Nut, Swivel, 1/4" Brass
9.	9906357	Fitting, Tee, 1/4" Tube x 1/4" Tube x 1/4" Tube
10.	1010263	Tube Assembly, Tee
11.	1010309	Tube Assembly, Tee, Water Inlet
12.	9906375	Flow Control, .19 GPM
	9906433	Washer, Flow Control, .19 GPM
13.	1034007	Tube Assembly, Valve & Tee
14.	9906154	Fitting, Elbow, Male, 1/8" Pipe x 1/4" Tube
15.	9922229	Valve, Solenoid, 2 Way, 120v
16.	9906416	Fitting, 90°, 1/8" Pipe x 5/16" Hose
17.	9906202	Fitting, 1/2" Union, 1/4" Tube x 1/4" Tube
18.	1031320	Spray, Head Brewer
19.	9202120	Nut, Hex, 1/8"-27 x 1/16" Thick
20.	6000747	Bushing, Reducer, 1/4" Flare x 1/2" Straight Pipe x 1/4" Pipe
21.	1031296	Tube, Overflow
22.	1010304	Tank Assy, Automatic, 120v
23.	9004104	Screw, Sheet Metal, #6 x 3/8"
24.	9902402	Block, Terminal
25.	9001208	Screw, Machine, #8-32 x 5/8"
26.	9201145	Nut, Hex, #8-32, S/S
27.	9303104	Washer, Lock, With Internal Tooth, #8
28.	9914354	Nut, Expansion

PARTS DIAGRAM – EXTERNAL VIEW
1010559 & 1010544 – M-90 Automatic Brewer

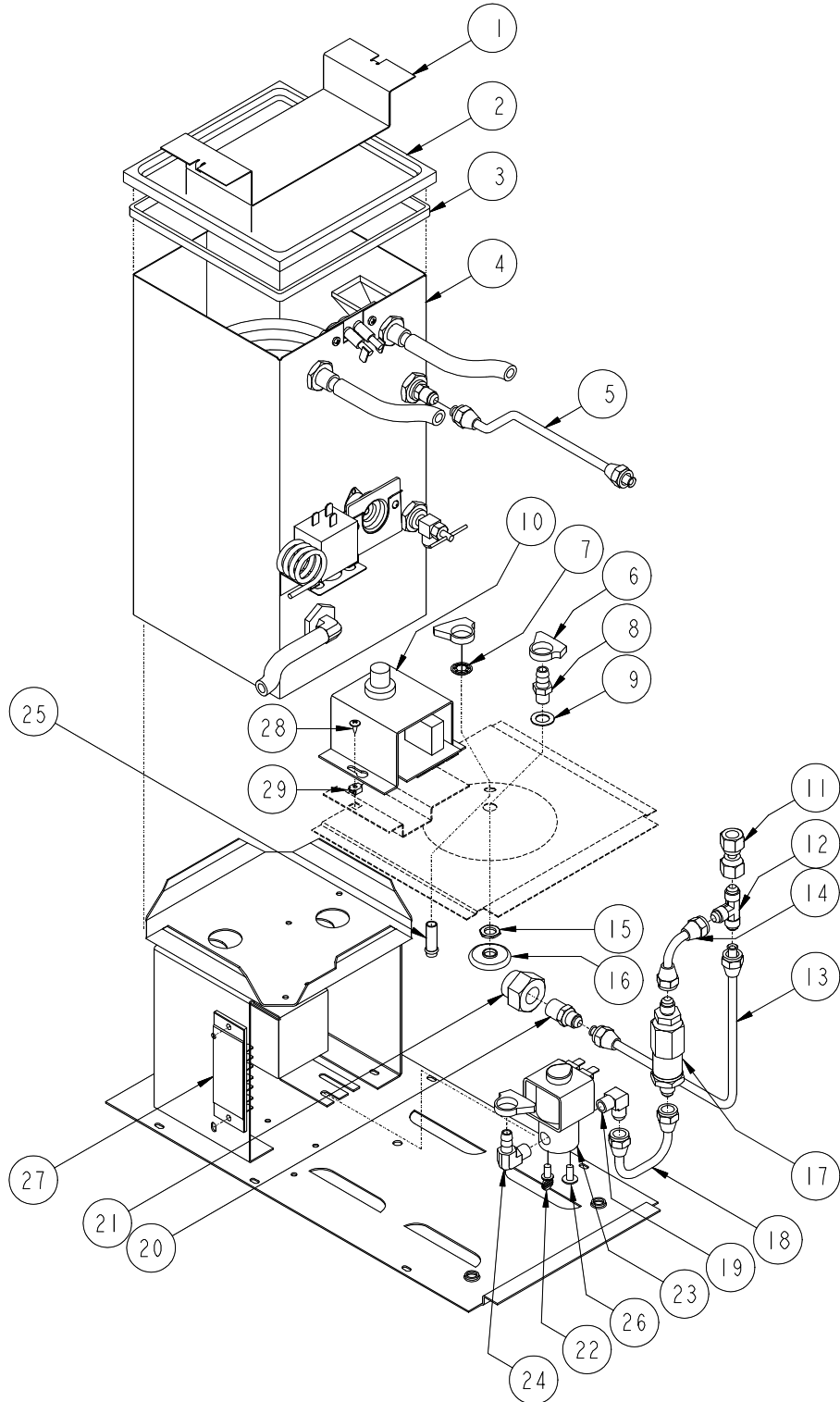


PARTS LIST – EXTERNAL VIEW
1010559 & 1010544 – M-90 Automatic Brewer

Item No.	Part No.	Description
1.	6003093	Element Pan Assembly, W/PTC, Black
2.	1010142	Cover, Top
3.	9001208	Screw, Machine, #8-32 x 5/8"
4.	9919486	Switch, Lighted, 120v
5.	9919463	Switch, Start, Black
6.	9906477	Faucet, Pressure
	9919457	Seat Cup, Faucet
	9901122	Aerator, Faucet
	9921119	Faucet Upper Assy
7.	9916278	Pilot Light, 125v, Green
8.	9004104	Screw, Sheet Metal, #6 x 3/8"
9.	9914354	Nut, Expansion
10.	1010005	Front Panel
11.	9916176	Plug, Hole, 7/8"
12.	1010110	Lower Cover
13.	9303124	Washer, Lock, With External Tooth
14.	9906472	Foot, Stick On, Black
15.	9201145	Nut, Hex, #8-32, S/S
16.	9303104	Washer, Lock, With Internal Tooth, #8
17.	9902329	Bushing, Strain Relief
18.	6000011	Nut, Hex
19.	9903590	Cord, Lead
	6000901	Cord, Power Supply Assy, (1010544)
20.	9906201	Fitting, Elbow, Flared, 1/4" Tube, Brass
21.	9906103	Fitting, Flared Nut, 1/4", Brass
22.	1010104	Cover Plate, Receptacle
23.	9005110	Screw, Sheet Metal, #6 x 1/4"
24.	1040722	Facia, Hood, Black
25.	1040723	Facia, Base, Black
26.	9919425	Switch, Toggle
Not Shown		
	6000596	Cone, Commercial Brewer, Black
	9918220	Relay, Large, 115v 25a, (1010544)
	9005148	Screw, Tapping, #8-32 x 5/8", (1010544)
	1031211	Receptacle Assembly, (1010544)

PARTS DIAGRAM – INTERNAL VIEW

1010559 & 1010544 – M-90 Automatic Brewer

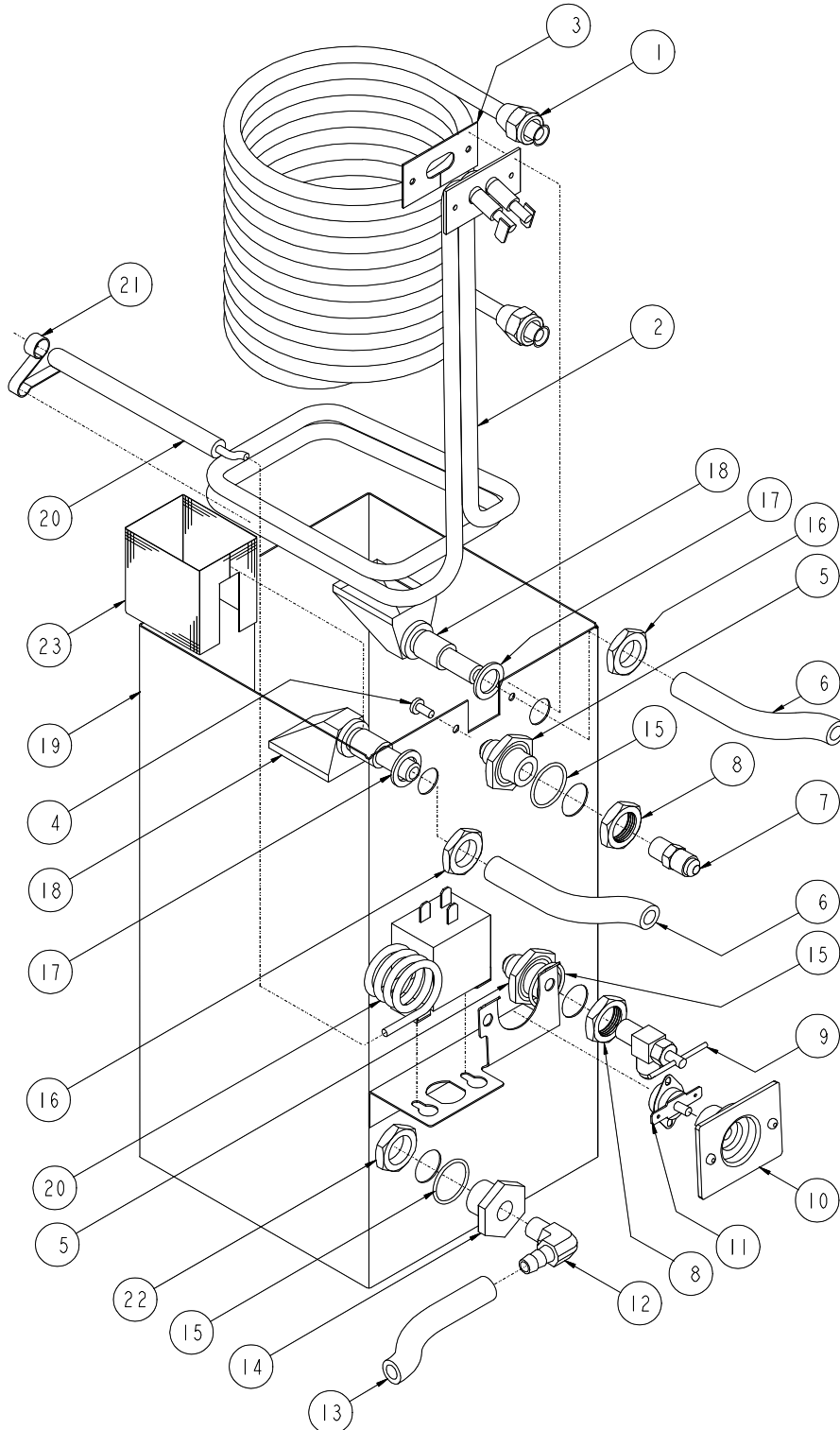


PARTS LIST – INTERNAL VIEW
1010559 & 1010544 – M-90 Automatic Brewer

Item No.	Part No.	Description
1.	1010147	Bracket, Tank Lid Support
2.	1010231	Lid, Tank
3.	1010254	Gasket, Tank
4.	1010304	Tank Assy, 120v
	1010305	Tank Assy, 120/240v, (1010544)
5.	1010159	Tube Assembly, Faucet
6.	9903549	Clamp, Hose, Double Tang
7.	9914360	Nut, Push-On, 5/16", S/S
8.	6000792	Fitting, 1/8" Straight Pipe x 5/16"
9.	9907223	Gasket, S/S, 13/32" ID x 11/16" OD x .032 Thick
10.	9920470	Timer, W/Relay Output, 120v
11.	9914363	Nut, Swivel, 1/4", Brass
12.	9906357	Fitting, Tee, 1/4" Tube x 1/4" Tube x 1/4" Tube
13.	1010264	Tube Assembly, Tee
14.	1010263	Tube Assembly, Tee
15.	9202120	Nut, Hex, 1/8"-27 x 1/16" Thick
16.	1030006	Spray Head, Brewer
17.	9906506	Flow Control, .250 GPM
	9906434	Washer, Flow Control, .250 GPM
18.	1034007	Tube Assembly, Valve & Tee
19.	9906154	Fitting, Elbow, Male, 1/8" Pipe x 1/4" Tube
20.	9906202	Fitting, 1/2" Union, 1/4" Tube x 1/4" Tube
21.	6000747	Bushing, Reducer, 1/4" Flare x 1/2" Straight Pipe x 1/4" Pipe
22.	9013006	Screw, Thumb, With Shoulder, #10-32 x 3/8"
23.	9922229	Valve, Solenoid, 2 Way, 120v
24.	9906416	Fitting, 90°, 1/8" Pipe x 5/16" Hose
25.	1031296	Tube, Overflow
26.	9001162	Screw, Machine, #10-32 x 3/8"
27.	9902402	Block, Terminal
28.	9004104	Screw, Sheet Metal, #6 x 3/8"
29.	9914354	Nut, Expansion

PARTS DIAGRAM – TANK VIEW

1010546, 1010559 & 1010544 – M-90 Automatic Brewers



PARTS LIST – TANK VIEW

1010546, 1010559 & 1010544 – M-90 Automatic Brewers

FOR PREVIOUS TANK FITTING REVISIONS, SEE PAGE 36

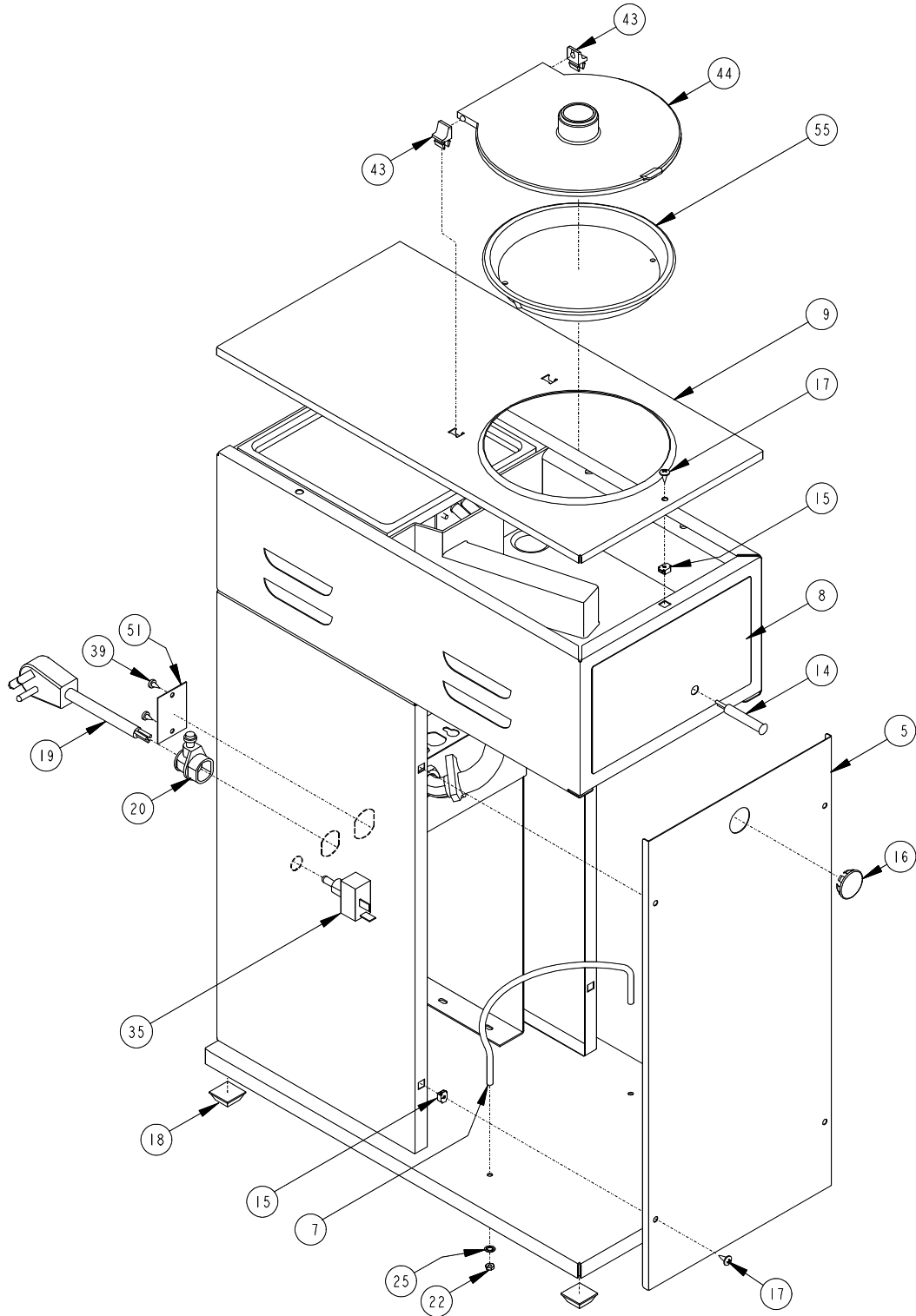
Item No.	Part No.	Description
1.	1010117	Coil Assembly, 5/16"
2.	9905320	Element, 120v 1500w
	9905327	Element, 240v 2670w, (1010544)
3.	6000274	Gasket, Silicone
4.	9001226	Screw, Machine, #6-32 x 5/16"
5.	6000768	Fitting, Coil
6.	1010033	Tube, Spray, 7" Long
7.	9903103	Fitting, Connector, Male
8.	9914281	Nut, Hex
9.	9922253	Valve, Needle
10.	6000629	Mount, Heat Limiter, High Temperature
11.	9920371	Thermostat, Hi Heat Limiter, 120v
12.	9906416	Fitting, 90°, 1/8" Pipe x 5/16" Hose
13.	1032180	Tube, Silicone, By-Pass
14.	6000527	Fitting, Bushing, Reducer
15.	9915153	O-Ring, Ethylene Propylene
16.	9207101	Nut, Pipe, 1/4"
17.	9301183	Washer, .750 OD x 1/2" ID x 1/16" Thick, Rubber
18.	1010070	Siphon Fitting, Tank
19.	1010100	Weld Assembly, Tank
20.	9920434	Thermostat, 120v
21.	6000363	Clip, Thermostat
22.	6000762	Nut, Jam, 3/8" Straight Pipe
23.	6000588	Screen, Siphon, S/S, .020 Diameter

Not Shown

9903549	Clamp, Hose, Double Tang
---------	--------------------------

PARTS DIAGRAM - EXTERNAL VIEW

1010547 - Pour-Over Airpot Brewer



PARTS LIST - EXTERNAL VIEW

1010547 - M-90 Pour-Over Airpot Brewer

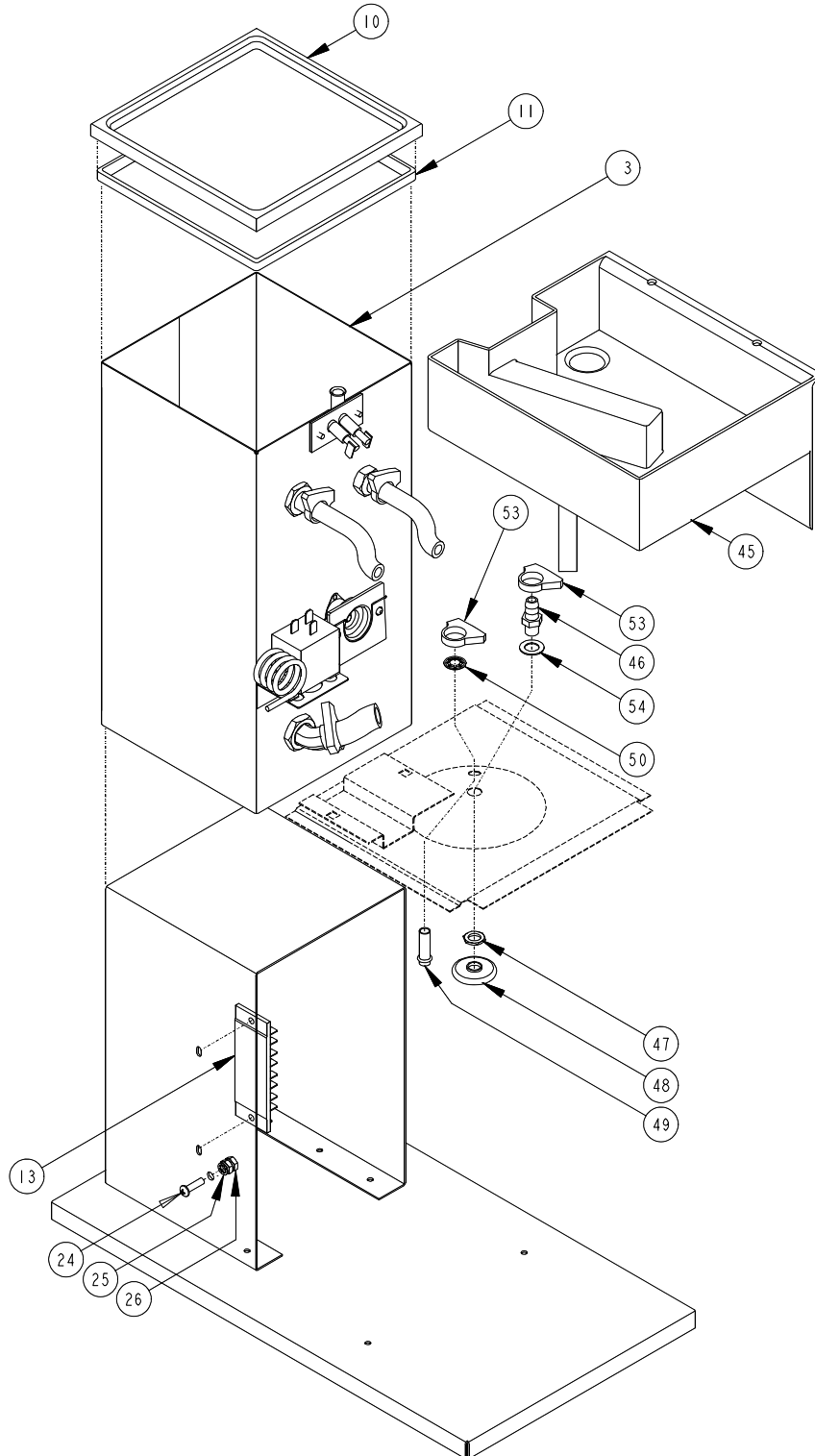
Item No.	Part No.	Description
5.	1010137	Panel, Front Access
7.	1010139	Rail, Locator
8.	1040726	Facia, Hood, Black
9.	1010010	Top Cover, Pour-Over
14.	9916278	Pilot Light, 125v, Green
15.	9914354	Nut, Expansion
16.	9916176	Plug, Hole, 7/8"
17.	9004104	Screw, Sheet Metal, #6 x 3/8"
18.	9906407	Foot, Stick On
19.	9903590	Cord, Lead
20.	9902329	Bushing, Strain Relief
22.	9201152	Nut, Hex, 1/4", #6-32
25.	9303103	Washer, Lock, With Internal Tooth, #6
35.	9919524	Switch, Toggle
39.	9005110	Screw, Sheet Metal, #6 x 1/4"
43.	1040676	Hinge, Brewers, Black
44.	1040675	Cover, Hinged, Black
51.	1010104	Cover Plate, Receptacle
55.	6000541	Grid, Pour-Over, Black

Not Shown

6000596	Cone, Commercial Brewer, Black
---------	--------------------------------

PARTS DIAGRAM - INTERNAL VIEW

1010547 - M-90 Pour-Over Airpot Brewer



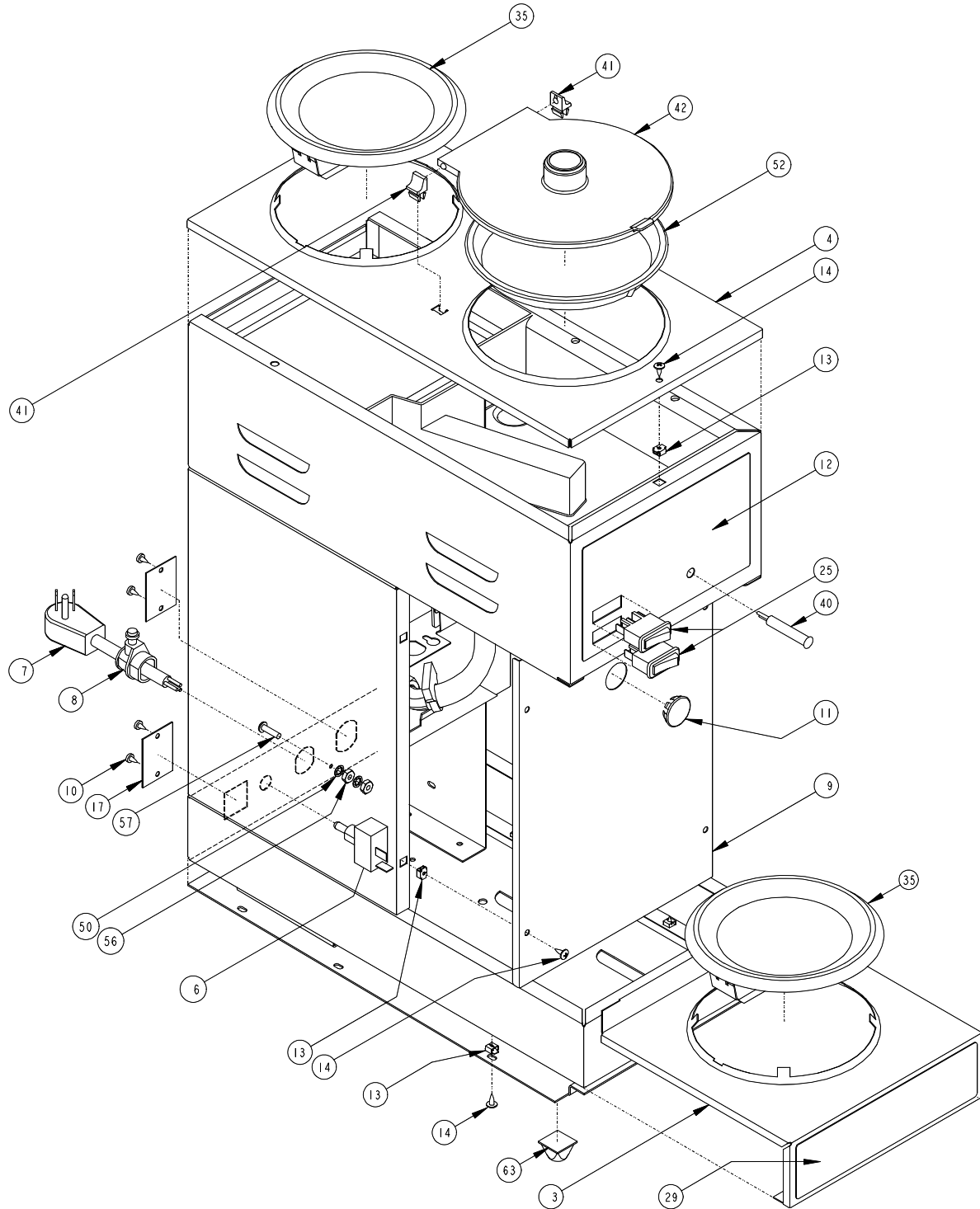
PARTS LIST - INTERNAL VIEW

1010547 - M-90 Pour-Over Airpot Brewer

Item No.	Part No.	Description
3.	1010310	Tank Assembly, Pour-Over, 120v
10.	1010231	Lid, Tank
11.	1010254	Gasket, Tank
13.	9902402	Block, Terminal
24.	9001208	Screw, Machine, #8-32 x 5/8"
25.	9303104	Washer, Lock, With Internal Tooth, #8
26.	9201145	Nut, Hex, #8-32, S/S
45.	1010011	Reservoir, Pour-Over
46.	6000792	Fitting, 1/8" Straight Pipe x 5/16"
47.	9202120	Nut, Hex, 1/8"-27 x 1/16" Thick
48.	1030006	Spray Head, Brewer
49.	1031296	Tube, Overflow
50.	9914360	Nut, Push-On, 5/16" Diameter, S/S
53.	9903549	Clamp, Hose, Double Tang
54.	9907223	Gasket, S/S, 13/32" ID x 11/16" OD x .032 Thick

PARTS DIAGRAM - EXTERNAL VIEW

1010548 - M-90 Pour-Over Brewer



PARTS LIST - EXTERNAL VIEW

1010548 - M-90 Pour-Over Brewer

Item No.	Part No.	Description
3.	1010110	Lower Cover
4.	1010239	Top Cover Weld Assembly
6.	9919524	Switch, Toggle
7.	9903590	Cord, Lead
8.	9902329	Bushing, Strain Relief, Black
9.	1010005	Front Panel
10.	9005110	Screw, Sheet Metal, #6 x 1/4"
11.	9916176	Plug, Hole, 7/8"
12.	1040725	Facia, Hood, Black
13.	9914354	Nut, Expansion
14.	9004104	Screw, Sheet Metal, #6 x 3/8"
17.	1010104	Cover Plate, Receptacle
25.	9919486	Switch, Lighted, 120v
29.	1040723	Facia, Base, Black
35.	6003093	Element Pan Assembly, W/PTC, Black
40.	9916278	Pilot Light, 125v, Green
41.	1040676	Hinge, Brewers, Black
42.	1040675	Cover, Hinged, Black
50.	9303104	Washer, Lock, With Internal Tooth, #8
52.	6000541	Grid, Pour-Over, Black
56.	9201145	Nut, Hex, #8-32, S/S
57.	9001208	Screw, Machine, #8-32 x 5/8"
63.	9906472	Foot, Stick On, Black

Not Shown

6000596	Cone, Commercial Brewer, Black
---------	--------------------------------

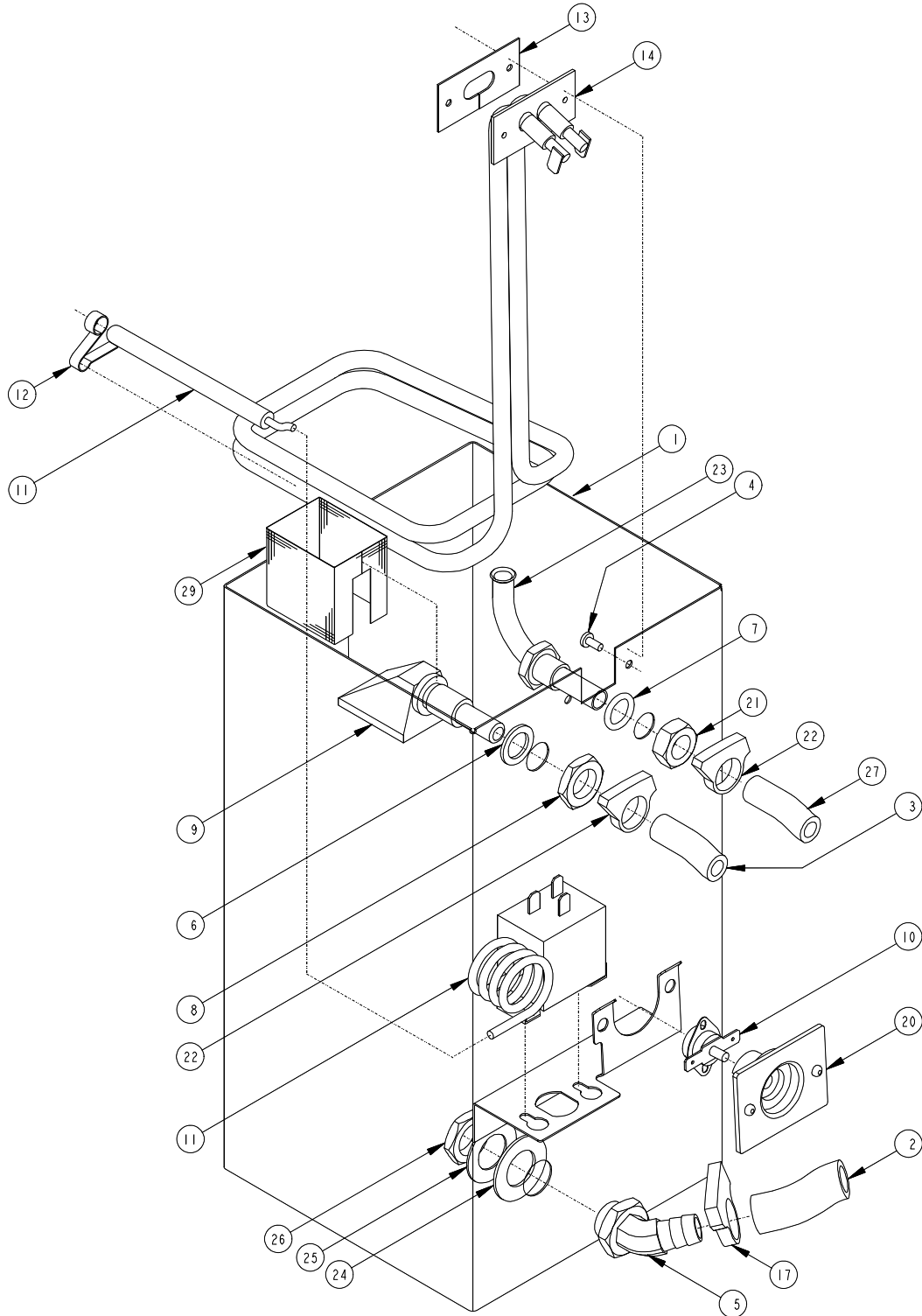
PARTS LIST - INTERNAL VIEW

1010548 - M-90 Pour-Over Brewer

Item No.	Part No.	Description
2.	1010306	Tank Assembly, Pour-Over, 120v
26.	1010231	Lid, Tank
27.	1010254	Gasket, Tank
28.	1010147	Bracket, Tank Lid Support
32.	9903549	Clamp, Hose, Double Tang
43.	1010011	Reservoir, Pour-Over
44.	6000792	Fitting, 1/8" Straight Pipe x 5/16"
45.	9202120	Nut, Hex, 1/8"-27 x 1/16" Thick
46.	1030006	Spray Head, Brewer
47.	1031296	Tube, Overflow
48.	9914360	Nut, Push-On, 5/16" Diameter, S/S
49.	9907223	Gasket, S/S, 13/32" ID x 11/16" OD x .032 Thick
62.	9902402	Block, Terminal

PARTS DIAGRAM - TANK VIEW

1010547 & 1010548 - M-90 Pour-Over Brewers



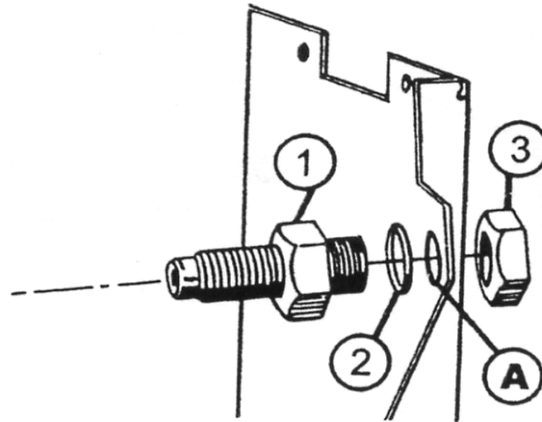
PARTS LIST - TANK VIEW

1010547 & 1010548 - M-90 Pour-Over Brewers

Item No.	Part No.	Description
1.	1010045	Weld Assembly, Tank, (1010547)
	1010064	Weld Assembly, Tank, (1010548)
2.	1010034	Tube, Fill, Silicone
3.	1010033	Tube, Spray, 7" Long
4.	9001226	Screw, Machine, #6-32 x 5/16"
5.	1010163	Solder Assembly, Water Inlet
6.	9301183	Washer, .750 OD x 1/2" ID x 1/16" Thick, Rubber
7.	9915110	O-Ring
8.	9207101	Nut, Pipe, 1/4", Brass
9.	1010070	Siphon Fitting, Tank
10.	9920371	Thermostat, Hi Heat Limiter, 120v
11.	9920434	Thermostat, 120v
12.	6000363	Clip, Thermostat
13.	6000274	Gasket, Silicone
14.	9905320	Element, 120v 1500w
17.	9903550	Clamp, Hose, Double Tang
20.	6000629	Mount, Heat Limiter, High Temperature
21.	9202115	Nut, Hex, 1/2"-20 x 5/16" Thick, Brass
22.	9903549	Clamp, Hose, Double Tang
23.	1031222	Tube Assembly, Overflow
24.	9301109	Washer, 1-1/4" OD x 11/16" ID x 1/32" Thick, Copper
25.	9301108	Washer, 1-3/16" OD x 11/16" ID x .035 Thick, S/S
26.	9914281	Nut, Hex, 3/8" Straight Pipe
27.	1010061	Tube, Overflow, 5-5/8" Long
29.	6000588	Screen, Siphon, S/S, .020 Diameter

PREVIOUS TANK FITTING REVISIONS

All M-90 Automatic Brewers



Item No.	Part No.	Description
1	9906520	Fitting
2	9915110	"O"-Ring
3	9202115	Nut, Hex
A		Hole Diameter, .5

NOTE: Some items have been replaced on the M-90 Brewers. Please note old part numbers have been replaced with New Part numbers.

MODEL 1010546 ONLY

Old Part No.	Description	NEW PART NO.	DESCRIPTION
9906506	Flow Control .250 GPM	9906375	Flow Control .19 GPM
9906434	Flow Washer .250 GPM	9906433	Flow Washer .19 GPM
1030006	Spray Head	1031320	Spray Head
9914240	Nut, Hex	9914281	Nut, Hex

ALL MODELS: (Including 1010546)

Old Part No.	Description	NEW PART NO.	DESCRIPTION
9903435	Cord, Lead	9903590	Cord, Lead
9902325	Board, Terminal	9902402	Block, Terminal
1010022	Mount, Hi Heat Limiter	6000629	Mount, Hi Heat Limiter
9920436	Thermostat, Hi Heat Limiter	9920371	Thermostat, Hi Heat Limiter
9920450	Thermostat	9920434	Thermostat
9919369	Toggle Switch	9919524	Toggle Switch

MODEL 1010546, 1010559 & 1010544 ONLY

Old Part No.	Description	NEW PART NO.	DESCRIPTION
9914240	Nut, Hex	9914281	Nut, Hex



Mailing Address: PO Box 2959 Torrance, CA 90509-2959
Shipping Address: 3828 S. Main St. Los Angeles, CA 90037
310-787-5444 • 800-421-6860 • Fax 310-787-5412
brewmatic.com