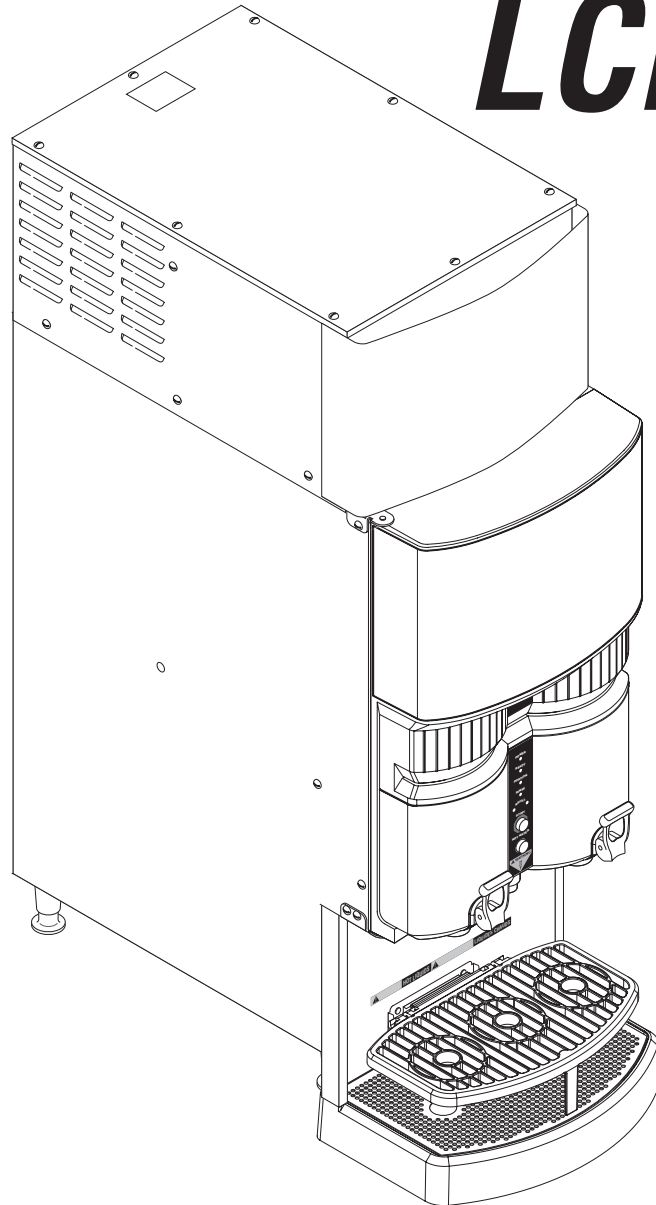


BUNN®

LCR-2

LCR-2 PC



ILLUSTRATED PARTS CATALOG

Designs, materials, weights, specifications, and dimensions for equipment or replacement parts are subject to change without notice.

BUNN-O-MATIC CORPORATION

POST OFFICE BOX 3227

SPRINGFIELD, ILLINOIS 62708-3227

PHONE: (217) 529-6601 FAX: (217) 529-6644

BUNN-O-MATIC COMMERCIAL PRODUCT WARRANTY

Bunn-O-Matic Corp. ("BUNN") warrants equipment manufactured by it as follows:

- 1) All equipment other than as specified below: 2 years parts and 1 year labor.
- 2) Electronic circuit and/or control boards: parts and labor for 3 years.
- 3) Compressors on refrigeration equipment: 5 years parts and 1 year labor.
- 4) Grinding burrs on coffee grinding equipment to grind coffee to meet original factory screen sieve analysis: parts and labor for 3 years or 30,000 pounds of coffee, whichever comes first.

These warranty periods run from the date of installation BUNN warrants that the equipment manufactured by it will be commercially free of defects in material and workmanship existing at the time of manufacture and appearing within the applicable warranty period. This warranty does not apply to any equipment, component or part that was not manufactured by BUNN or that, in BUNN's judgment, has been affected by misuse, neglect, alteration, improper installation or operation, improper maintenance or repair, damage or casualty. This warranty is conditioned on the Buyer 1) giving BUNN prompt notice of any claim to be made under this warranty by telephone at (217) 529-6601 or by writing to Post Office Box 3227, Springfield, Illinois 62708-3227; 2) if requested by BUNN, shipping the defective equipment prepaid to an authorized BUNN service location; and 3) receiving prior authorization from BUNN that the defective equipment is under warranty.

THE FOREGOING WARRANTY IS EXCLUSIVE AND IS IN LIEU OF ANY OTHER WARRANTY, WRITTEN OR ORAL, EXPRESS OR IMPLIED, INCLUDING, BUT NOT LIMITED TO, ANY IMPLIED WARRANTY OF EITHER MERCHANTABILITY OR FITNESS FOR A PARTICULAR PURPOSE. The agents, dealers or employees of BUNN are not authorized to make modifications to this warranty or to make additional warranties that are binding on BUNN. Accordingly, statements by such individuals, whether oral or written, do not constitute warranties and should not be relied upon.

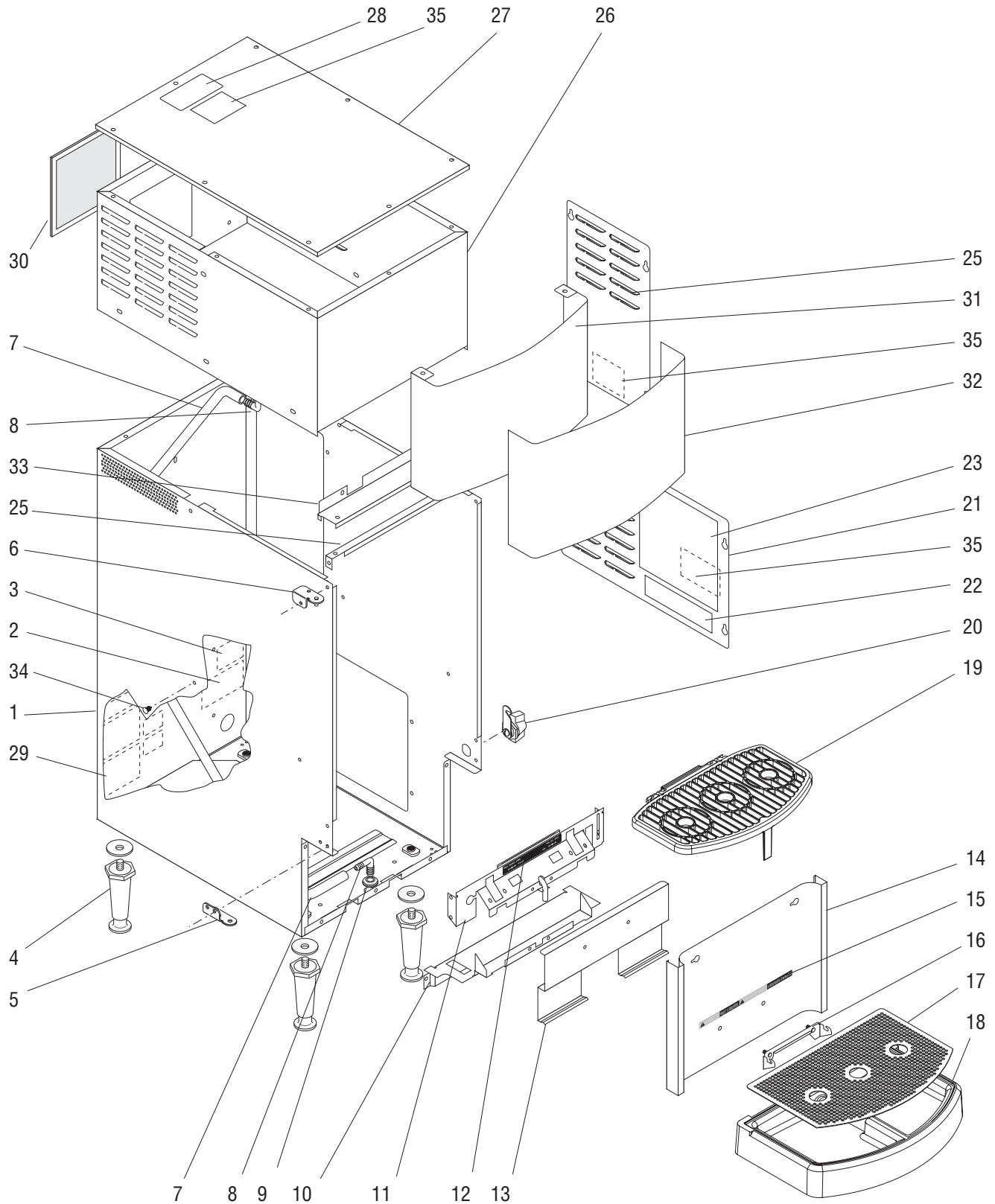
If BUNN determines in its sole discretion that the equipment does not conform to the warranty, BUNN, at its exclusive option while the equipment is under warranty, shall either 1) provide at no charge replacement parts and/or labor (during the applicable parts and labor warranty periods specified above) to repair the defective components, provided that this repair is done by a BUNN Authorized Service Representative; or 2) shall replace the equipment or refund the purchase price for the equipment.

THE BUYER'S REMEDY AGAINST BUNN FOR THE BREACH OF ANY OBLIGATION ARISING OUT OF THE SALE OF THIS EQUIPMENT, WHETHER DERIVED FROM WARRANTY OR OTHERWISE, SHALL BE LIMITED, AT BUNN'S SOLE OPTION AS SPECIFIED HEREIN, TO REPAIR, REPLACEMENT OR REFUND.

In no event shall BUNN be liable for any other damage or loss, including, but not limited to, lost profits, lost sales, loss of use of equipment, claims of Buyer's customers, cost of capital, cost of down time, cost of substitute equipment, facilities or services, or any other special, incidental or consequential damages.

TABLE OF CONTENTS

TITLE	PAGE NO.
Housing & Panels	4
Door Assembly	8
Cabinet Assembly	12
Refrigeration Compartment.....	14
Compressor & Lines	16
Compressor Assembly.....	20
Tank Assembly.....	22
Dispense Valves & Lines.....	26
Pump Assembly.....	30
Electrical Controls.....	32
Numerical Index.....	36



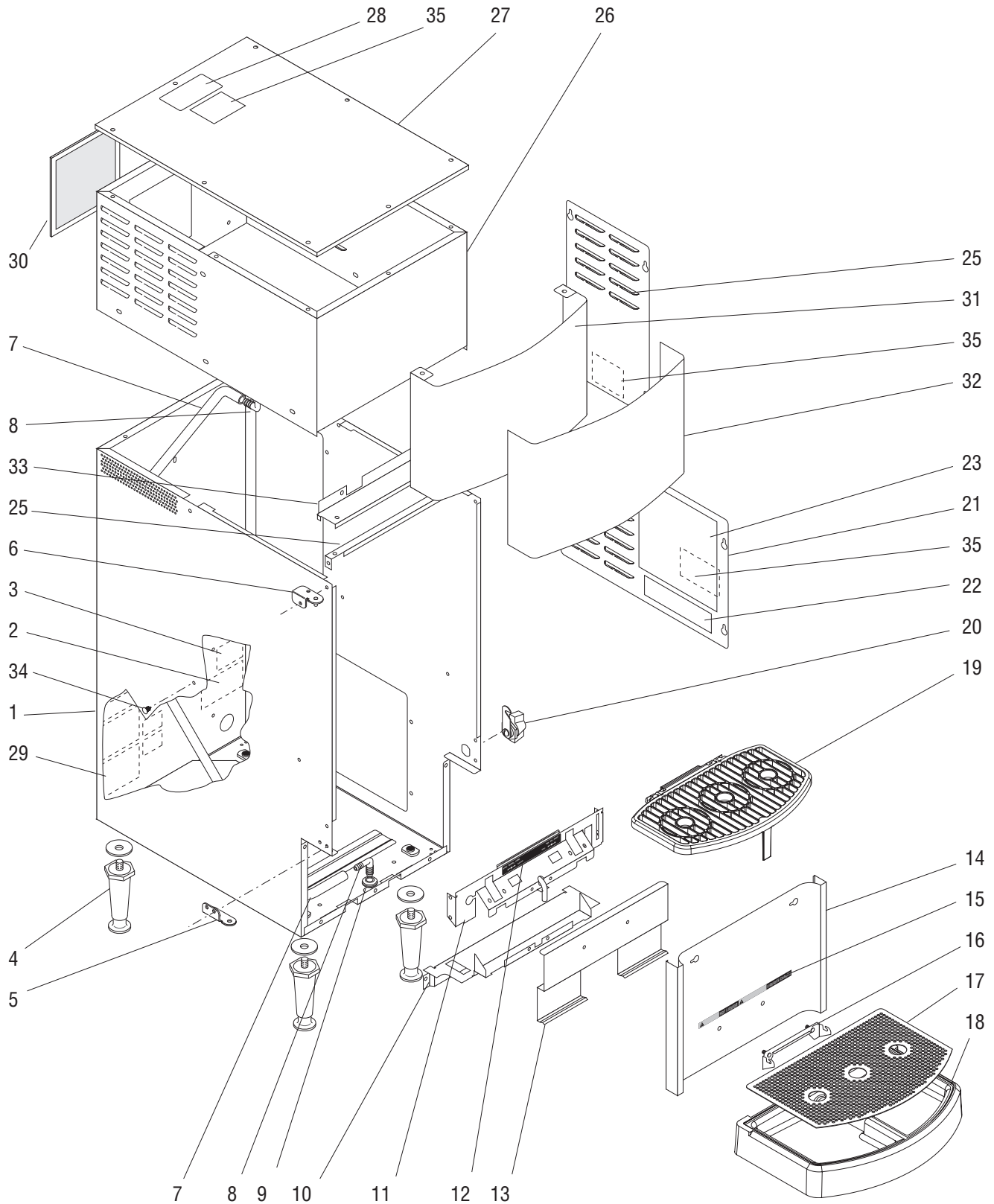
HOUSING & PANELS

ITEM	PART NO.	QTY.	DESCRIPTION
1	35825.0001*	1	Housing Assy BLK (Not serviced. Order Decals separately)
2	00656.0000	1	Decal, Comply to Plumbing Code
3	00986.0002	1	Decal, Warning - Electrical
4	26528.0000	4	Leg 4.0" adj.
	01526.0001	4	Washer, Flat
5	34335.0002	1	Hinge, Lower Door
	01315.0005	2	Screw, Truss Head, Sltd. Blk #8-32 x .38"
6	34385.0001	1	Hinge, Upper Door .25" Pin length (Early model doors w/Bushing)
	34385.0003	1	Hinge, Upper Door .375" Pin length (Late model doors w/o Bushing)
	01315.0005	2	Screw, Truss Head, Sltd. Blk #8-32 x .38"
7	-----	1	Hose, Silicone .25" ID x 35.0" (Order item 37)
8	32656.0000	2	Elbow .25" x .38" Barb
9	02536.0000	1	Grommet
10	34152.0001	1	Bracket
	01311.0003	2	Screw, Truss Head, Sltd. Blk #8-32 x .25"
	01382.0000	2	Screw, Truss Head, Sltd. Blk #6-32 x .38"
11	35188.0000	1	Bracket
	01315.0005	4	Screw, Truss Head, Sltd. Blk #8-32 x .38"
12	34783.0000	1	Decal, Dispense Platform
13	34366.0000	1	Bracket
14	34363.1000	1	Splash Panel w/Decal (Includes item 15)
	01315.0005	2	Screw, Truss Head, Sltd. Blk #8-32 x .38"
15	11646.0002	1	Decal, Warning - Hot Liquids
16	34368.0000	1	Pivot
	34765.0000	2	Nut #10-32
17	34379.0001	1	Cover, Drip Tray (See item 36)
18	34377.0001	1	Drip Tray (See item 36)
19	34821.1000	1	Cup Tray
20	34472.0000	1	Lock, Door (Includes Keys)
21	34186.1002	1	Panel w/Decals, Lower Access (Includes items 22, 23 & 35)
	01311.0003	4	Screw, Truss Head, Sltd. Blk #8-32 x .25"
22	34960.0000	1	Decal, Terminal Block Wiring
23	36025.0000	1	Schematic, Electrical (LCR-2, LCR-2C)
	36025.0001	1	Schematic, Electrical (LCR-2A)

(Continued)

* Indicates the part number listed is for reference only. See DESCRIPTION for possible service replacement.

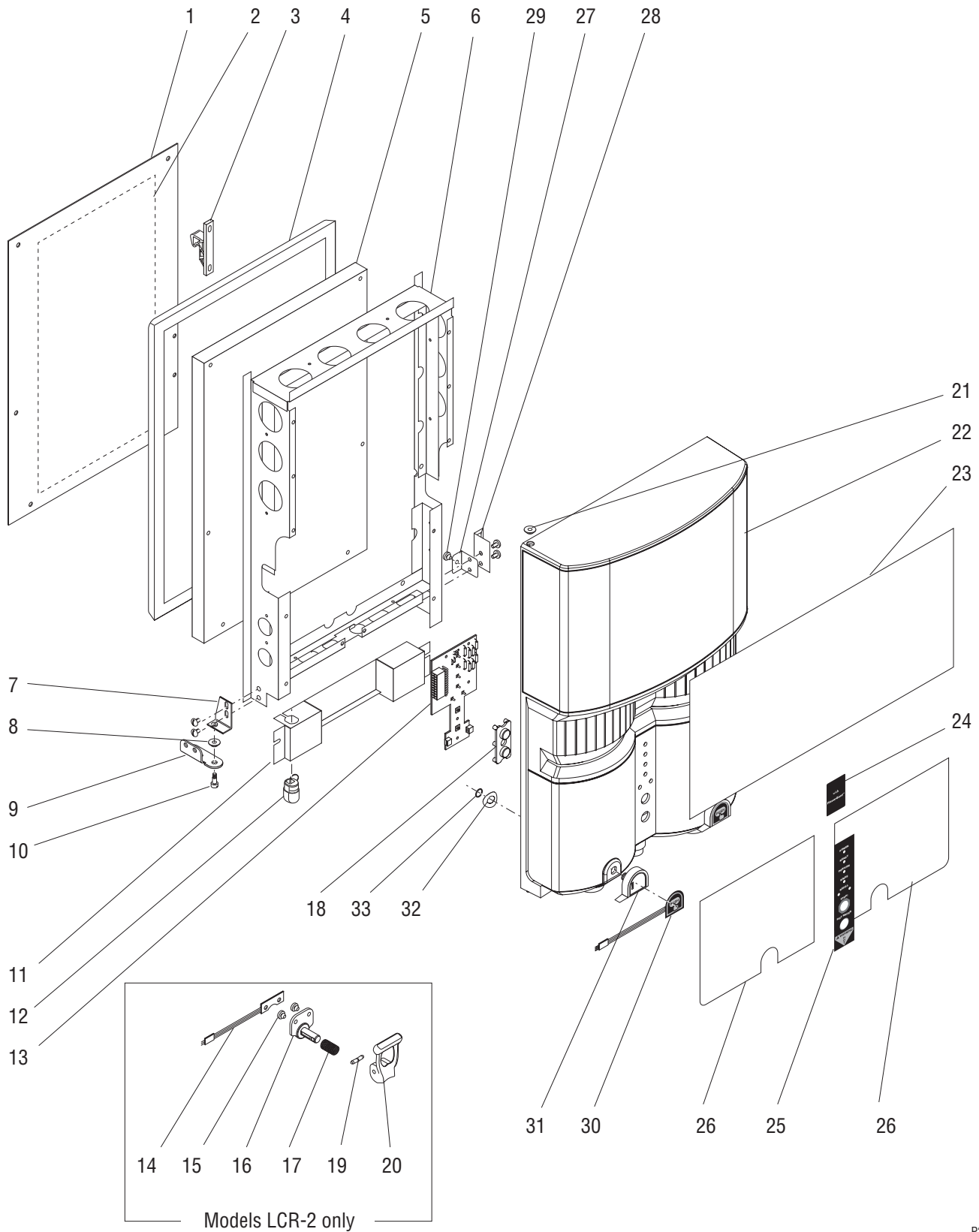
(Continued)



HOUSING & PANELS

ITEM	PART NO.	QTY.	DESCRIPTION
24	34190.0000	1	Brace
	01311.0003	2	Screw, Truss Head, Sltd. Blk #8-32 x .25"
25	34194.1001	1	Panel w/Decal, Upper Access (Includes item 35)
	01311.0003	4	Screw, Truss Head, Sltd. Blk #8-32 x .25"
26	35883.0003	1	Housing, Refrigeration
	01315.0005	6	Screw, Truss Head, Sltd. Blk #8-32 x .38"
27	35884.1003	1	Cover, Top (Includes items 28 & 35)
	01315.0005	8	Screw, Truss Head, Sltd. Blk #8-32 x .38"
28	27442.0000	1	Decal, Warning - Moving Parts
29	28181.0003	1	Decal, Optional Field Wiring
30	35833.0000	1	Filter,Air
31	35890.0001	1	Panel, Merchandise
32	36011.0000	1	Decal, Upper Hood
33	35829.0001	1	Cover, Top Front
	01315.0005	2	Screw, Truss Head, Sltd. Blk #8-32 x .38"
34	36149.0000	2	Fastener
35	37881.0000	3	Decal, No Serviceable Parts
36	34893.0001	-	Drip Tray Kit (Includes items 17 & 18)
37	11707.1000	-	Hose, Silicone .25" ID x 12.0" (Use as required)
	11707.1001	-	Hose, Silicone .25" ID x 36.0" (Use as required)
	11707.1002	-	Hose, Silicone .25" ID x 120.0" (Use as required)

} Not Illustrated

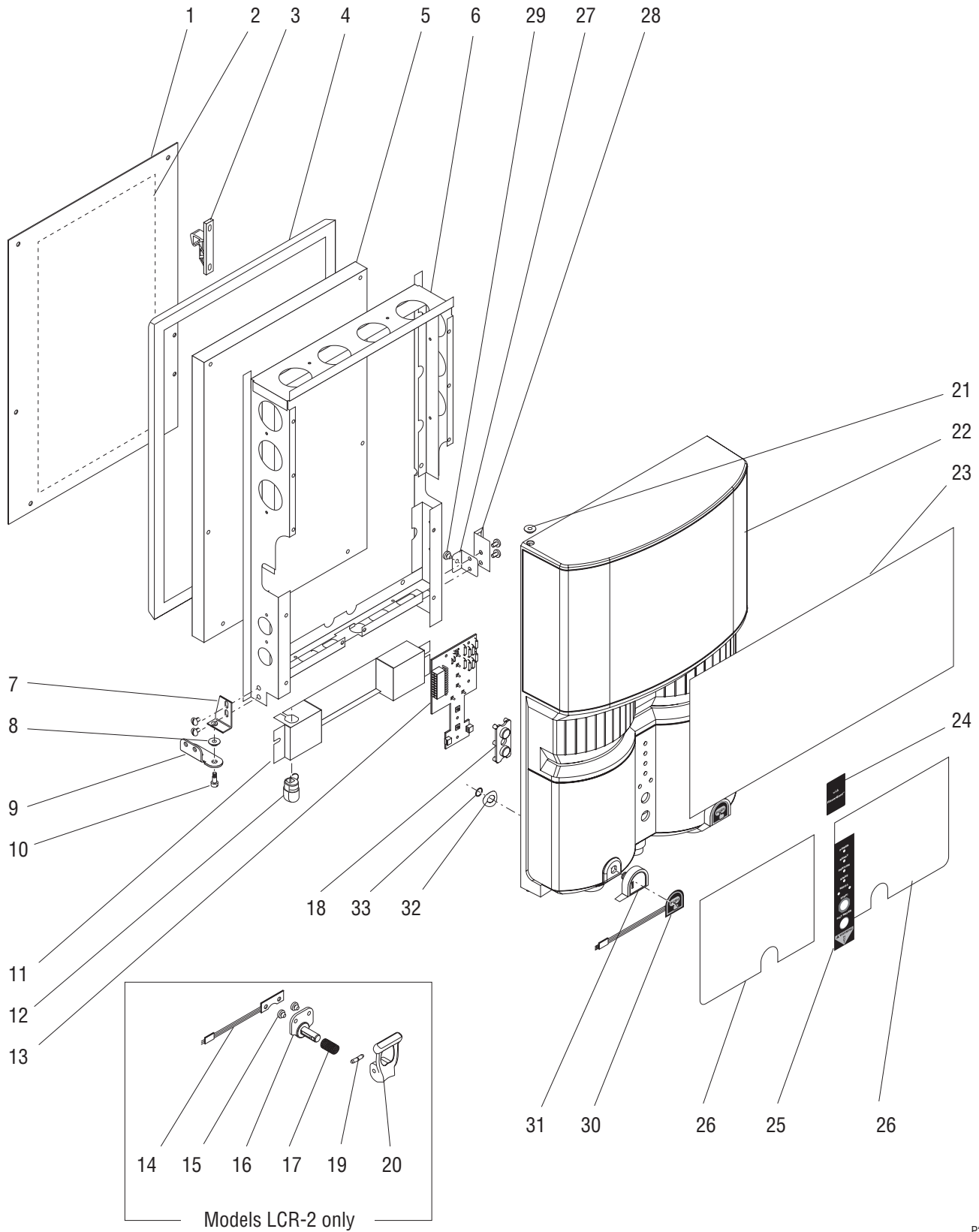


DOOR ASSEMBLY

ITEM	PART NO.	QTY.	DESCRIPTION	
-	34284.1000	1	Door Assembly (Includes items 6,7,10,13,14,18 & 21 thru 26)	
1	34531.1000	1	Plate w/Decal (Includes item 2)	
	01321.0001	6	Screw, Truss Head Sltd. #8-32 x 1.25"	
2	34809.0000	1	Decal, Maintenance	
3	34667.0000	1	Keeper, Door Latch	
	02336.0000	2	Screw, Truss Head Sltd. #4-40 x .38"	
4	34150.0000	1	Seal, Product Cabinet	
5	34473.0000	1	Insulation, Door	
6	-----	1	Frame, Door (Not Serviced)	
7	34334.0000	1	Bracket	
	01311.0000	2	Screw, Truss Head Sltd. #8-32 x .25"	
8	34362.0000	1	Bushing, Lower Hinge	
9	-----	1	Lower Door Hinge (See HOUSINGS & PANELS)	
10	34741.0000	1	Shoulder Screw #8-32	
11	34527.0000	1	Panel	
	38044.0000	2	Screw, Pan Head #6 48-2	
12	26444.0000	1	Bushing, Strain Relief	
13	34388.1000	1	Circuit Board, LED	
	38044.0000	2	Screw, Pan Head #6 48-2	
14	33039.0001	2	Switch, Membrane	} Models LCR-2 with Standard Controls
15	34340.1000	1	Button Kit (Includes two buttons)	
16	34341.1000	2	Stem, Handle	
17	34742.0000	2	Spring	
18	34387.0000	1	Cover, Switch	
19	01219.0000	2	Pin, Faucet Handle	} Models LCR-2 with Standard Controls
20	33434.1000	1	Handle, Black	
	33434.1002	1	Handle, Orange	
			Includes item 19	
21	34362.0001	1	Bushing, Upper Hinge (Early models only)	
22	34283.0000*	1	Door Front	
	38044.0000	13	Screw, Pan Head #6 48-2	
23	34708.0000	1	Decal, Upper Door Wrap	
24	34712.0000	1	Decal, Flavor Gard	
25	34711.0000	1	Decal, LED Display	

(Continued)

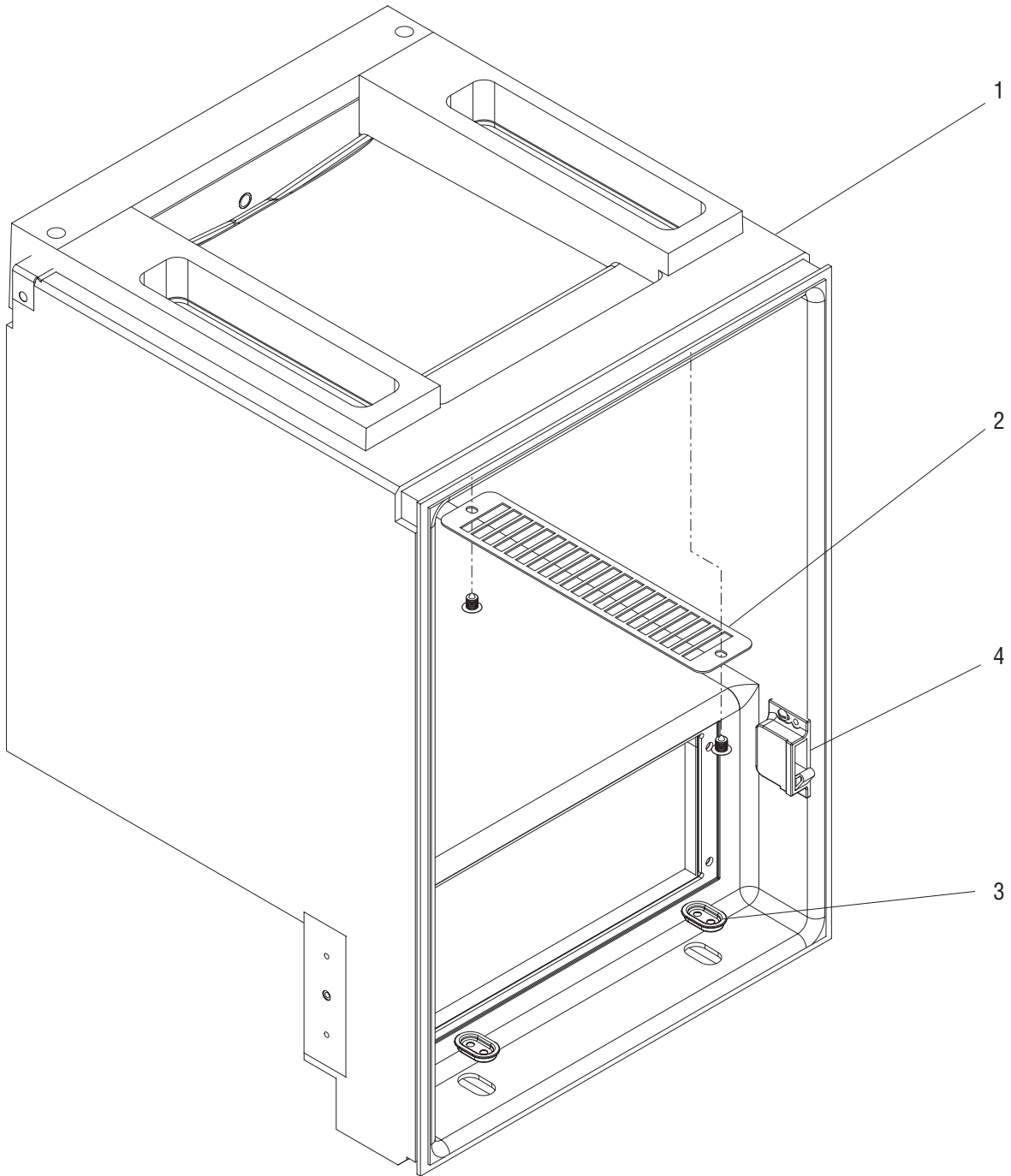
(Continued)



DOOR ASSEMBLY

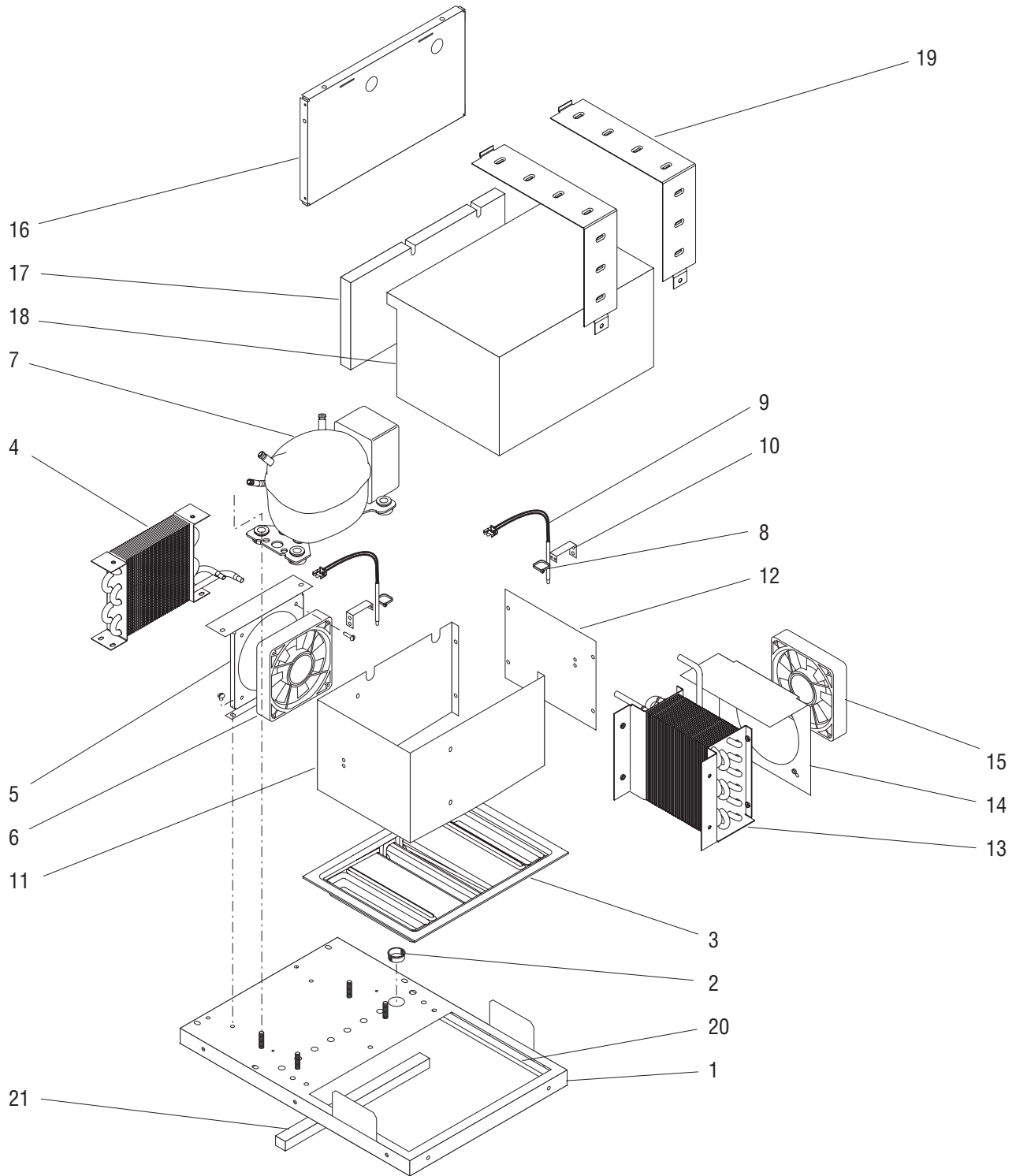
ITEM	PART NO.	QTY.	DESCRIPTION
26	34709.0000	1	Decal, Left Faux Server
	34710.0000	1	Decal, Right Faux Server
27	35087.0000	1	Bracket, Switch
	01311.0000	2	Screw, Truss Head Sltd. #8-32 x .25"
28	36012.0000	1	Bracket, Latch
29	34340.0000	1	Button
30	36554.0000	2	Membrane Switch
31	36673.0000	2	Bezel
32	36785.0000	2	Washer, Wavy
33	36786.0000	2	Snap Ring

Models LCR-2, PC
with Portion Controls



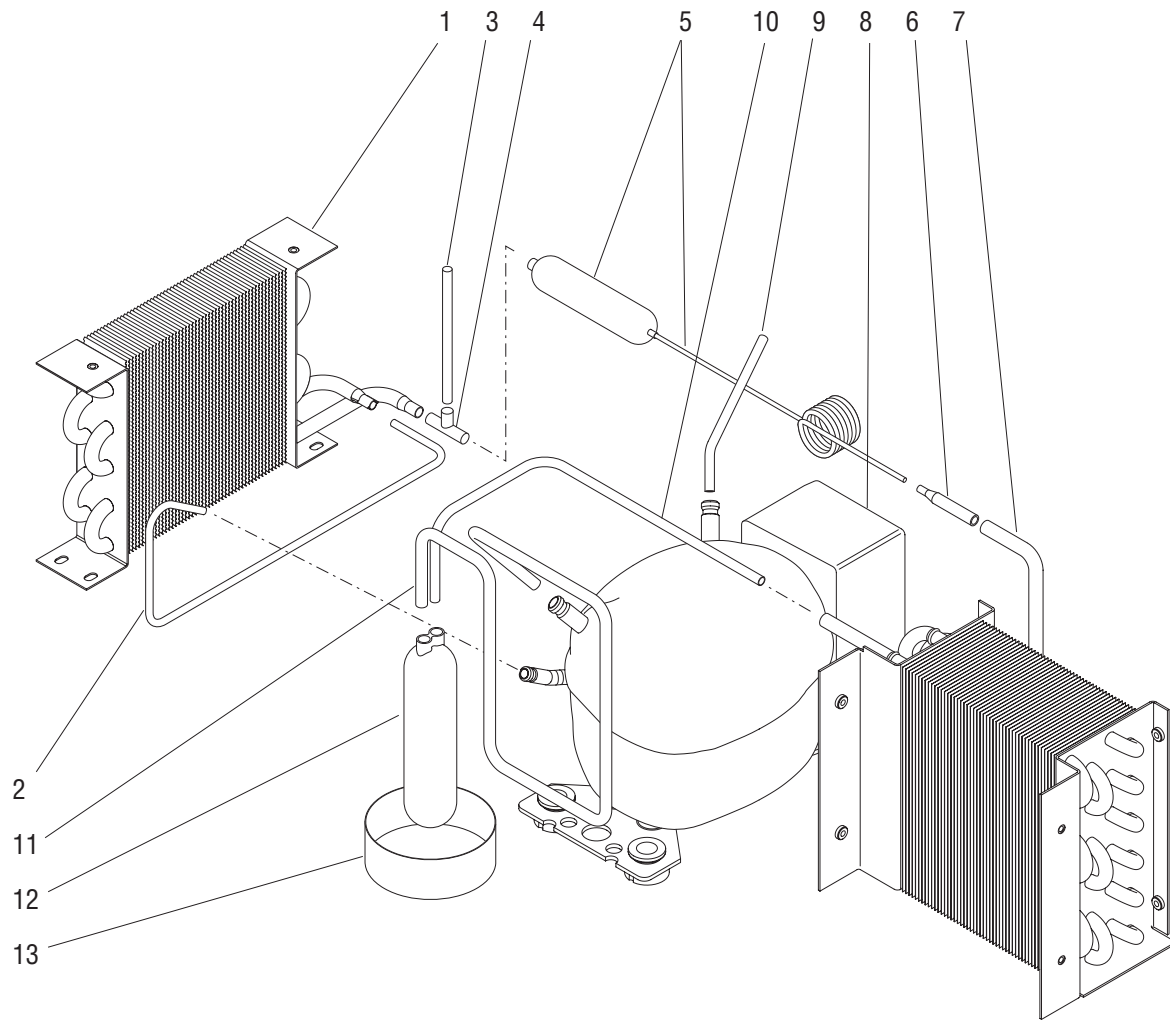
CABINET ASSEMBLY

ITEM	PART NO.	QTY.	DESCRIPTION
1	36113.0000	1	Cabinet
2	35959.0000	2	Cover, Vent
	36149.0000	4	Fastener
3	34702.0000	2	Grommet
4	34666.0001	1	Catch
	02336.0000	2	Screw, Truss Head Sltd. #4-40 x .38"



REFRIGERATION COMPARTMENT

ITEM	PART NO.	QTY.	DESCRIPTION
-	36077.0000	1	Refrigeration Assembly (Model BD-50F) (Includes item 1- 24)
-	36077.0001	1	Refrigeration Assembly (Model BD-35F) (Includes item 1- 24)
1	35827.0000	1	Base
	01326.0005	2	Screw, Truss Head, Sltd.,Blk #10-32 x 1.25"
2	00606.0000	1	Bushing, Snap
3	35830.0000	1	Drip Tray
4	35821.0000	1	Condenser
5	35887.0000	1	Bracket
	01311.0000	2	Screw, Truss Head #8-32 x .25"
6	33297.0001	1	Fan
	02370.0003	4	Screw, Pan Head #6-32 x 1.50"
7	-----	1	Compressor Assy. (See COMPRESSOR ASSEMBLY)
	34529.0000	4	Washer
	00901.0000	4	Nut, Hex .250"-20
8	00617.0000	2	Cable Tie
9	34803.1000	2	Sensor Assembly
10	36016.0000	2	Bracket
	01382.0000	4	Screw, Truss Head #6-32 x .38"
11	35834.0000	1	Housing
12	35891.0000	1	Panel
	01311.0000	4	Screw, Truss Head #8-32 x .25"
13	35823.0000	1	Evaporator
	01311.0000	4	Screw, Truss Head #8-32 x .25"
14	35888.0000	1	Bracket
	01311.0000	4	Screw, Truss Head #8-32 x .25"
15	33297.0001	1	Fan
	02370.0003	4	Screw, Pan Head #6-32 x 1.50"
16	35838.0000	1	Panel
	01327.0000	3	Screw, Pan Head #10-32 x .38"
17	35965.0000	1	Panel, Styrofoam - Back
18	38301.0000	1	Panel, Styrofoam
19	35836.0000	2	Strap
	01311.0000	2	Screw, Truss Head #8-32 x .25"
20	36117.0000	1	Insulation, 30.0"
21	36118.0000	1	Insulation, 11.9"
The following items are not illustrated:			
22	36037.0000	1	Wiring Harness - Compressor Module
23	36050.0000	1	Wiring Harness - Compressor Speed Control (Model BD-50F)
	36050.0001	1	Wiring Harness - Compressor Speed Control (Model BD-35F)
24	36056.0000	1	Wiring Harness - Sensors

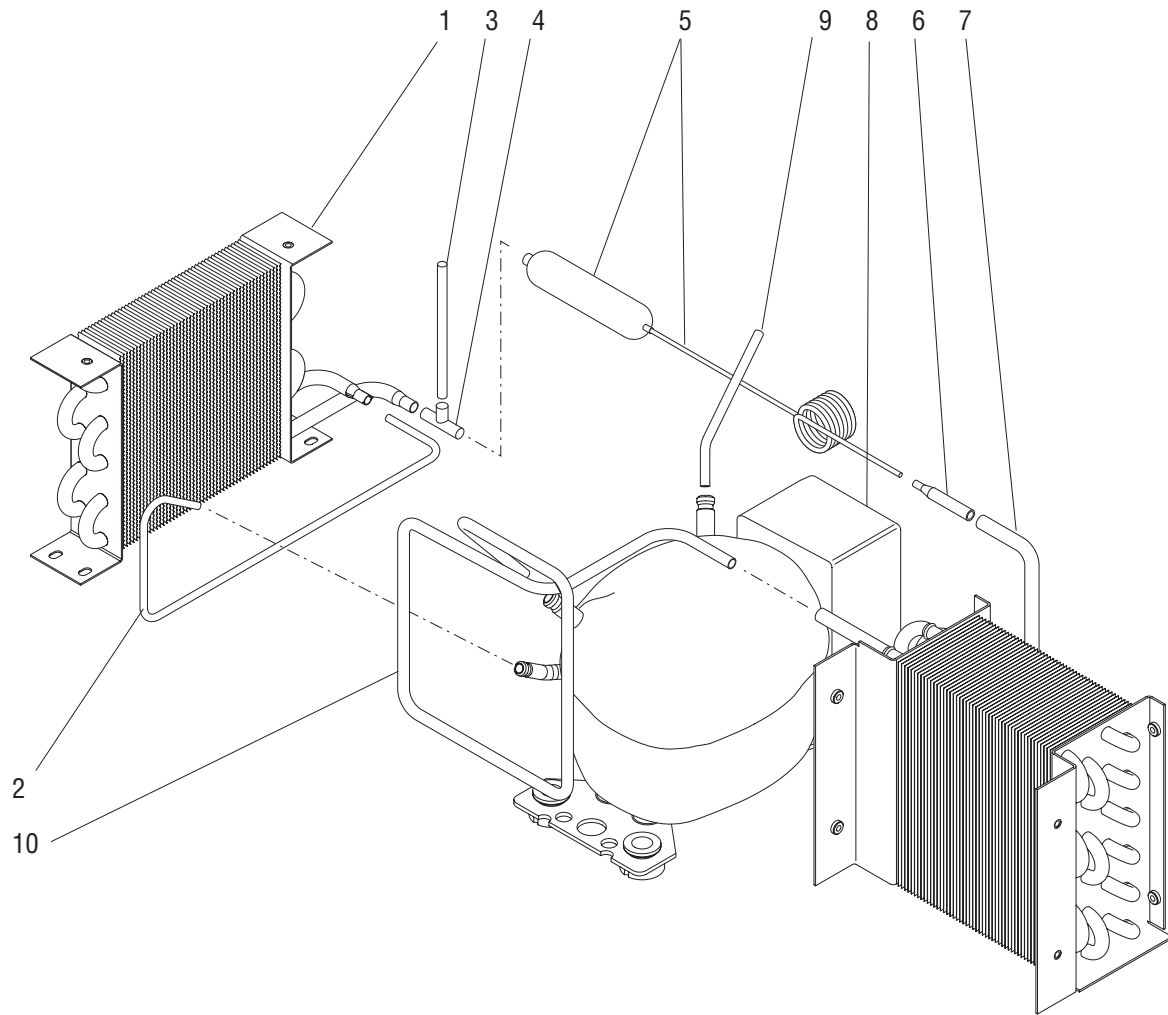


COMPRESSOR & LINES (MODEL BD50F)

ITEM	PART NO.	QTY.	DESCRIPTION
1	-----	1	Condenser Assembly (See REFRIGERATION COMPARTMENT)
2	36021.0001	1	Tube (Requires brazing to install)
3	35581.0001	1	Tube (Requires brazing to install)
4	00467.0000	1	Tee (Requires brazing to install)
5	35820.0000	1	Filter Dryer Assembly (Requires brazing to install)
6	36010.0000	1	Adapter (Requires brazing to install)
7	-----	1	Evaporator Assembly (See REFRIGERATION COMPARTMENT)
8	-----	1	Compressor Assembly (See COMPRESSOR ASSEMBLY)
9	36019.0001	1	Tube (Requires brazing to install)
10	36018.0001	1	Tube (Requires brazing to install)
11	36020.0001	1	Tube (Requires brazing to install)
12	35819.0000	1	Accumulator (Requires brazing to install)
13	27411.0000	1	Condensate Cup

The following items are not illustrated:

14	-----	1	Tape, Cork - Pipe Insulating 2.50' (Early models)(Order item 15)
15	M2336.1000	-	Insulation, Tube 72.0" (Use as required)

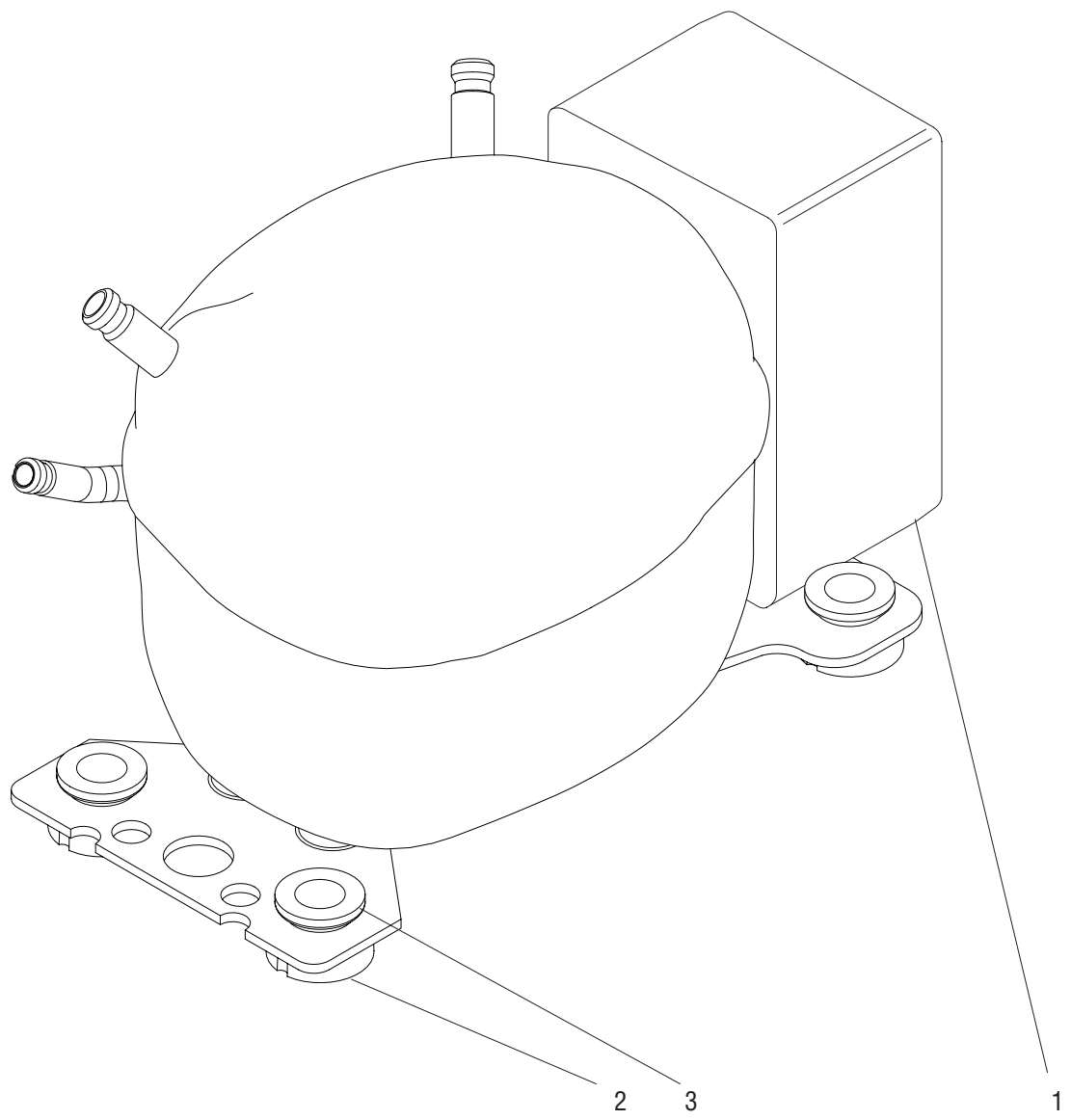


COMPRESSOR & LINES (MODEL BD35F)

ITEM	PART NO.	QTY.	DESCRIPTION
1	-----	1	Condenser Assembly (See REFRIGERATION COMPARTMENT)
2	36021.0001	1	Tube (Requires brazing to install)
3	35581.0001	1	Tube (Requires brazing to install)
4	00467.0000	1	Tee (Requires brazing to install)
5	35820.0000	1	Filter Dryer Assembly (Requires brazing to install)
6	36010.0000	1	Adapter (Requires brazing to install)
7	-----	1	Evaporator Assembly (See REFRIGERATION COMPARTMENT)
8	-----	1	Compressor Assembly (See COMPRESSOR ASSEMBLY)
9	36019.0001	1	Tube (Requires brazing to install)
10	36308.0001	1	Tube (Requires brazing to install)

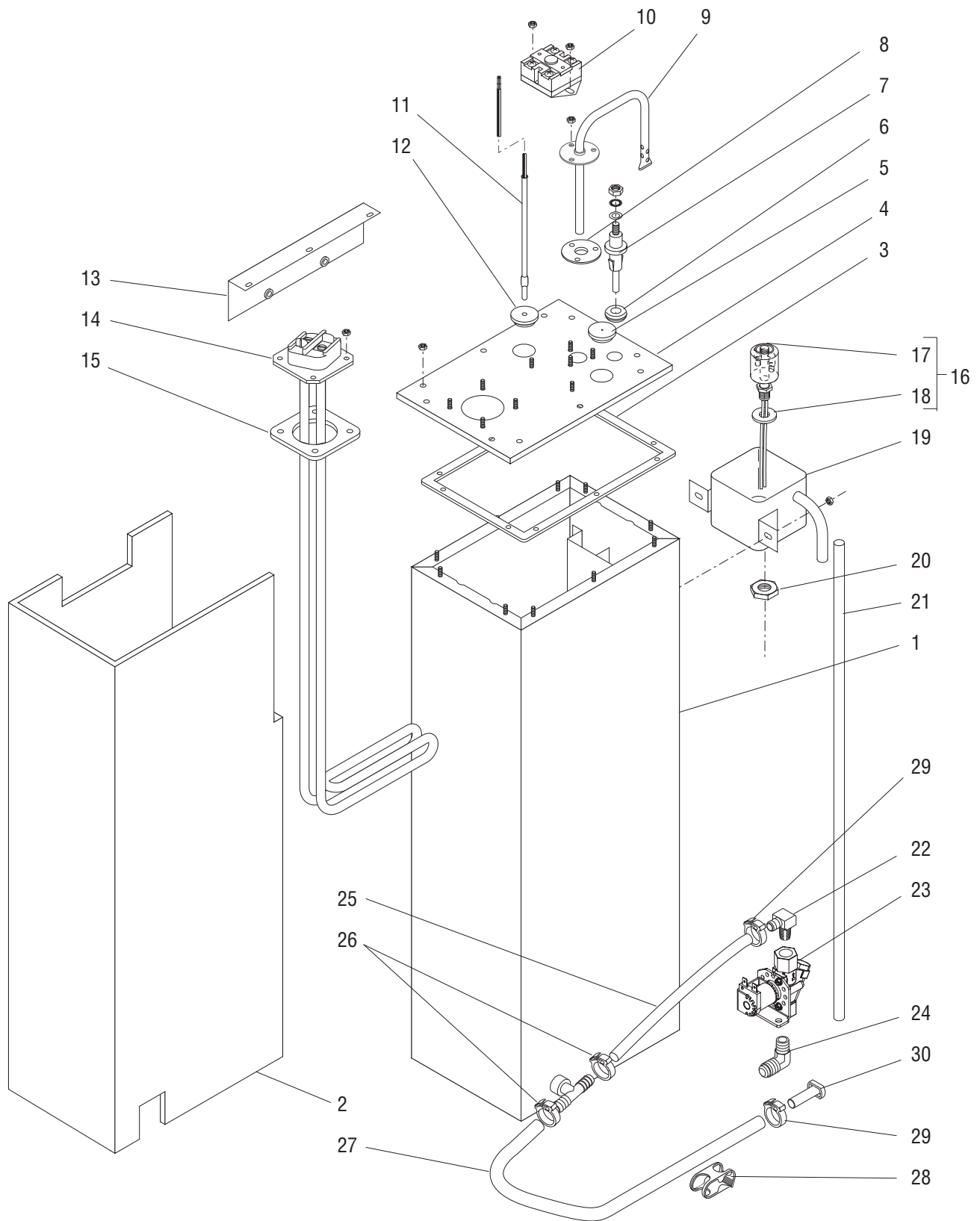
The following items are not illustrated:

11	-----	1	Tape, Cork - Pipe Insulating 2.00' (Early models)(Order item 12)
12	M2336.1000	-	Insulation, Tube 72.0" (Use as required)



COMPRESSOR ASSEMBLY

ITEM	PART NO.	QTY.	DESCRIPTION
-	35822.0000	1	Compressor Assembly (Model BD-50F) (Includes items 1 - 3)
	35822.0001	1	Compressor Assembly (Model BD-35F) (Includes items 1 - 3)
1	35961.0000	1	Electronics Box
2	35962.0000	4	Grommet
3	35963.0000	4	Sleeve

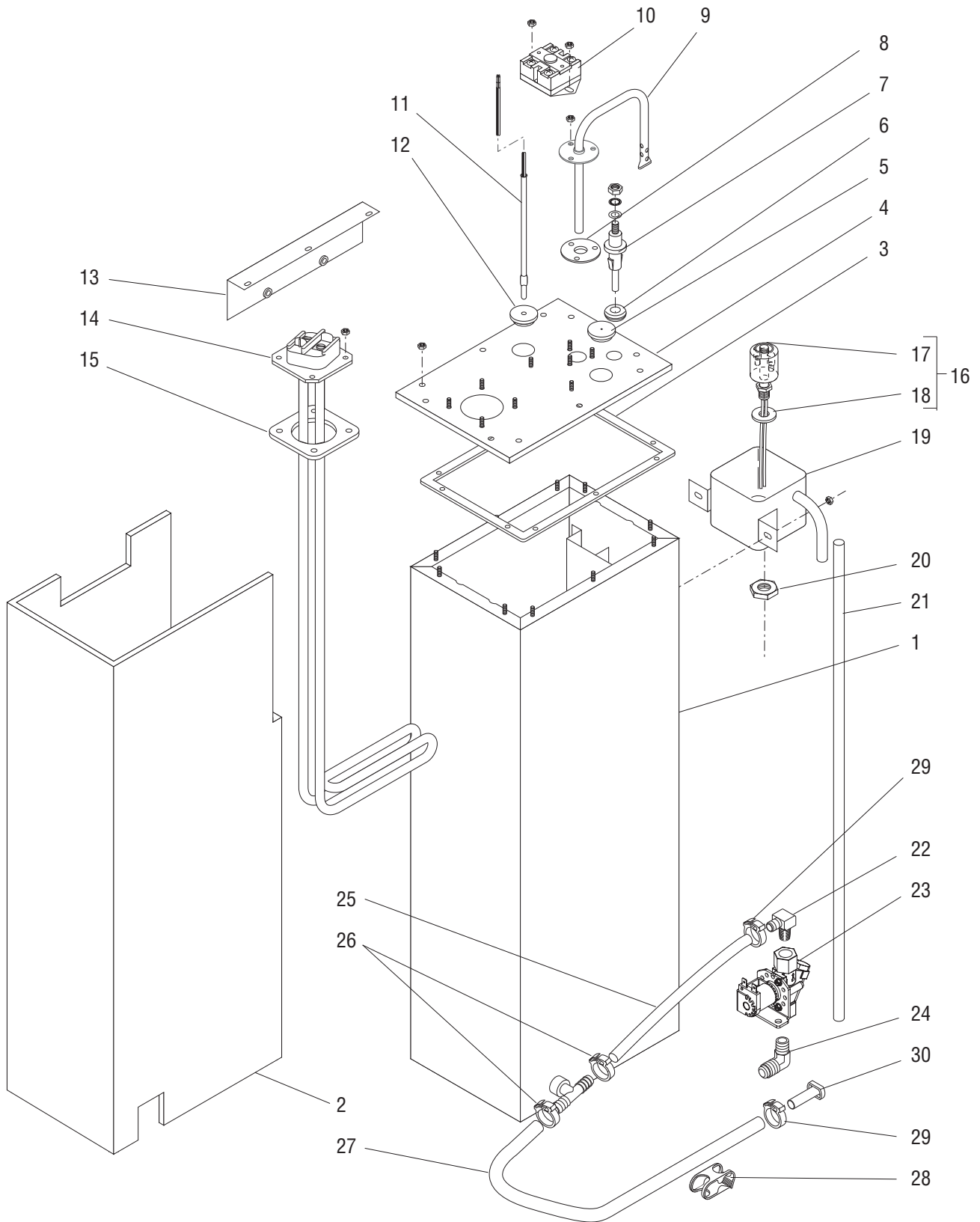


TANK ASSEMBLY

ITEM	PART NO.	QTY.	DESCRIPTION
1	34158.0000	1	Tank Assy
2	34389.0001	1	Insulation, Tank Wrap
3	12377.0000	1	Gasket, Tank Lid
4	34160.0000	1	Lid, Tank
	00906.0000	10	Nut #6-32
5	07073.0000	1	Grommet, Thermostat
6	02536.0000	1	Grommet, Level Probe
7	20936.1000	1	Probe, Liquid Level
	01501.0000	1	Washer
	20203.0100	1	Lockwasher, Int.-tooth #8
	00908.0000	1	Nut #8-32
8	05515.0000	1	Gasket, Overflow Tube
9	26622.0002	1	Tube, Overflow
	00908.0000	3	Nut #8-32
10	23717.0003	1	Limit Thermostat, Double
	00971.0000	2	Nut, Keps #10-32
11	29327.0000	1	Probe, Temperature
12	12570.0000	1	Grommet, Temperature Probe
13	34895.0000	1	Bracket
	01315.0005	2	Screw, Truss Head Sltd. Blk #8-32 x .38"
14	33926.1000	1	Tank Heater, 6000W 240V (Includes item 15)
	12322.1000	1	Tank Heater, 4000W 240V (Includes item 15)
	00908.0000	4	Nut #8-32
15	12398.0002	1	Gasket, Tank Heater
16	03803.0002	1	Switch, Overflow (Includes items 17 & 18)
17	03807.0000	1	Retaining Ring
18	03633.0000	1	Gasket, Silicone
19	22728.0002	1	Overflow Cup
	00970.0000	2	Nut, Keps #8-32
20	00946.0000	1	Nut, Brass .125"-27
21	-----	1	Tube, Silicone .375" ID x 21.0" (Order item 31)
22	34684.0000	1	Elbow .375" Barb x .375" NPT
23	33418.0001	1	Valve, Water Inlet
	01326.0000	2	Screw, Truss Head Sltd. #10-32 x .25"
24	34768.0000	1	Elbow .38" NPT x .63" flare
25	-----	1	Tube, Silicone .375" ID x 7.5" (Order item 31)

(Continued)

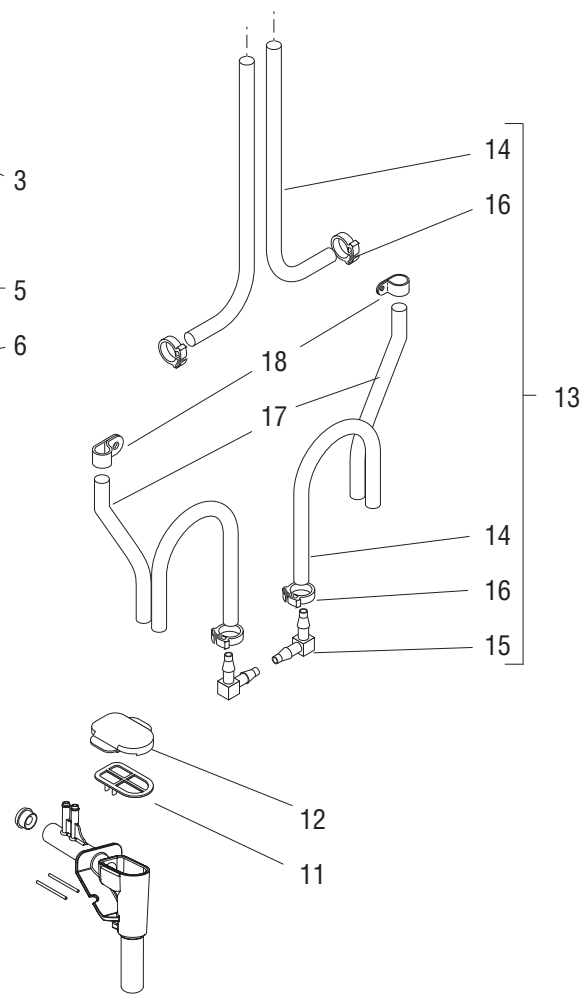
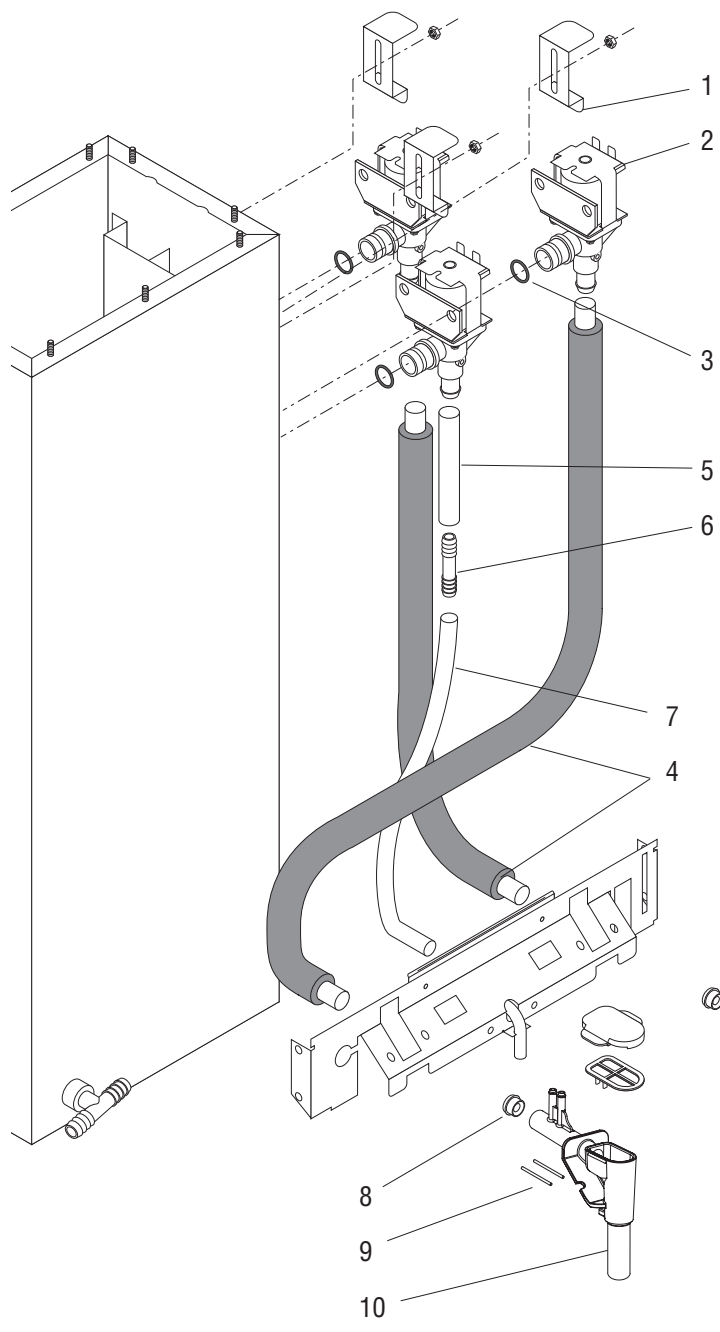
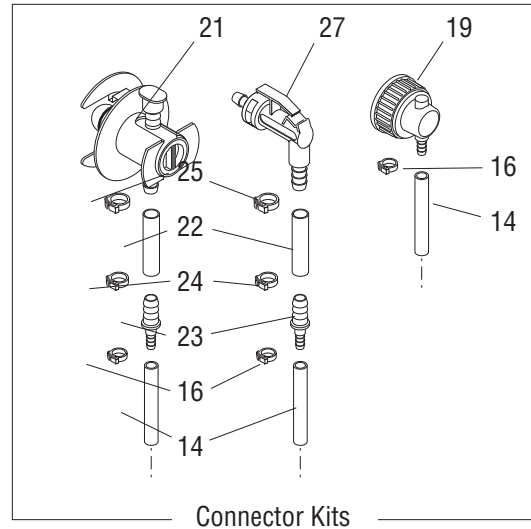
(Continued)



TANK ASSEMBLY

ITEM	PART NO.	QTY.	DESCRIPTION
26	12422.0005	2	Clamp .62/.71" ID
27	-----	1	Tube, Silicone .375" ID x 19.0" (Order item 31)
28	11630.0001	1	Clip, Shut-off
29	12422.0001	2	Clamp .59/.66" ID
30	34392.0000	1	Plug, Hose
31	20976.1000	-	Tube, Silicone .375" ID x 12.0" (Use as required)
	20976.1001	-	Tube, Silicone .375" ID x 30.0" (Use as required)

} Not Illustrated

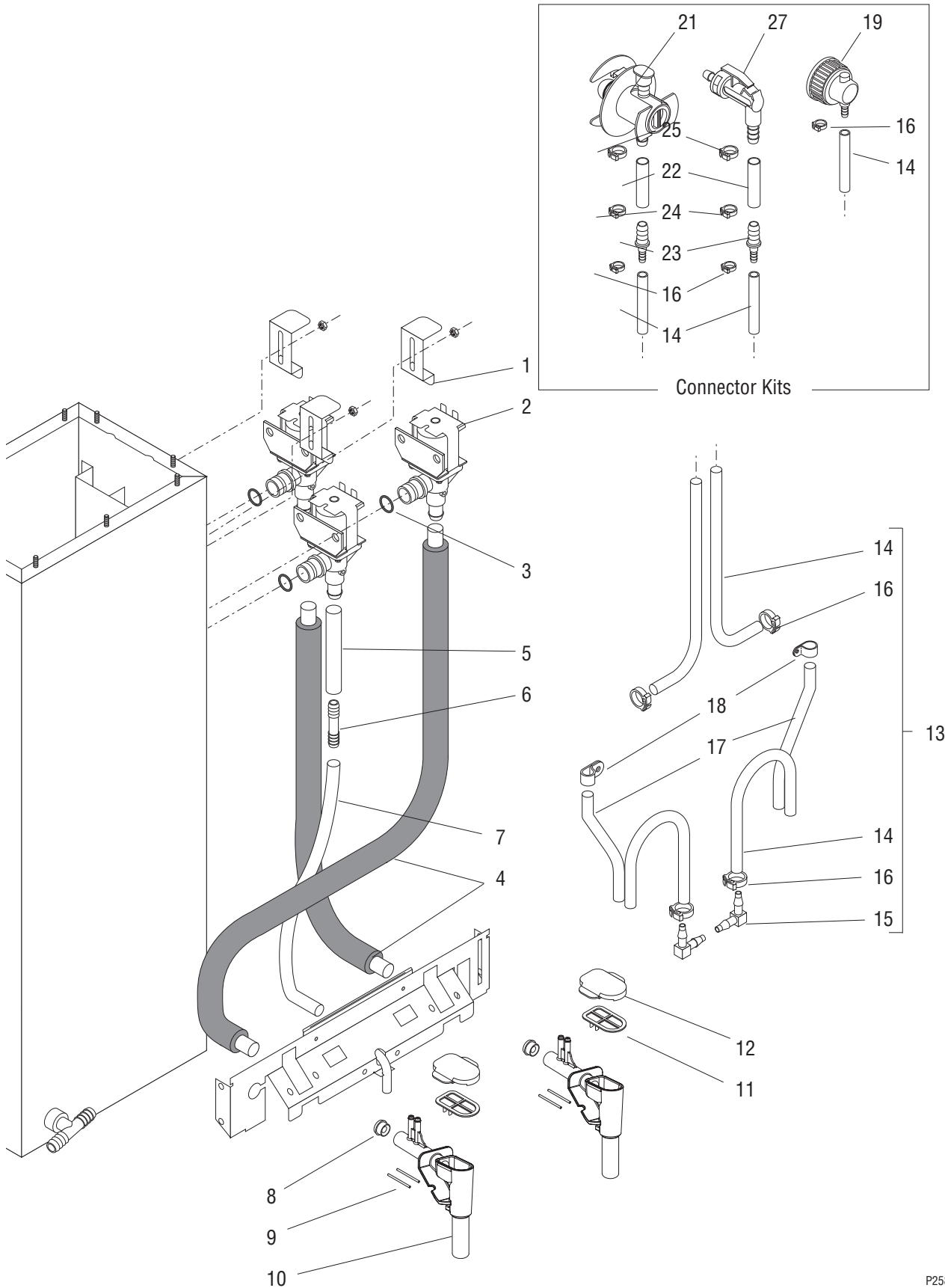


DISPENSE VALVES & LINES

ITEM	PART NO.	QTY.	DESCRIPTION
1	29576.0000	3	Bracket
	00970.0000	3	Nut, Keps #8-32
2	34202.0000	3	Valve, Dispense (Includes item 3)(Refer to item 40)
3	24733.0011	3	O-ring
4	34962.1000	2	Warmer Tube Assy (Includes Warmer Tape w/Leads)
5	-----	1	Tube, Silicone .375" ID x 5.0" (Order item 35)
6	34644.0000	1	Connector, Barb .375"
7	-----	1	Tube, Silicone .313" ID x 16.0" (Order item 36)
8	34807.0000	2	Flow Restrictor (Optional for 1.8 oz/sec. flow rate)
9	34689.0000	4	Pin
10	34346.1000	2	Mixing Chamber Assy (Includes items 8, 9, 11 & 12)
	01315.0000	4	Screw, Truss Head Sltd. #8-32 x .38"
11	34198.0000	2	Lid
12	34384.0000	2	Snap Cap
13	34727.1000	2	Hose Assy .187" ID (Incl. items 14 - 16)
	34727.1001	2	Hose Assy .187" ID x 14.0" Feed End (Incl. items 14 - 16)
	34728.1000	2	Hose Assy .125" ID (Incl. items 14 - 16)
14	-----	4	Hose .187" ID x 9.0"]
	-----	2	Hose .187" ID x 14.0"] Order item 13
	-----	4	Hose .125" ID x 9.0"]
15	34714.0000	2	Elbow (.187" ID Hose Assy)
	34715.0000	2	Elbow (.125" ID Hose Assy)
16	12422.0011	4	Clamp .40/.45" ID (.187" ID Hose Assy)
	12422.0007	4	Clamp .31/.34" ID (.125" ID Hose Assy)
17	-----	2	Hose .125" I.D. x 6.0" (Order item 38)
18	05920.0000	2	Clip
19	35057.0000	2	Connector .187"
	35057.0001	2	Connector .25"
20	35055.0000	2	Adapter Kit (Includes items 21 - 25)
21	33160.0000	2	Connector
22	-----	2	Hose, Silicone .25" I.D. x 1.75" (Order item 39)
23	35053.0000	2	Coupling, Reducing
24	12422.0000	2	Clamp .47/.54" I.D.
25	12422.0006	2	Clamp .53/.59" I.D.
26	35056.0000	2	Adapter Kit (Includes items 22,23,24 & 27)

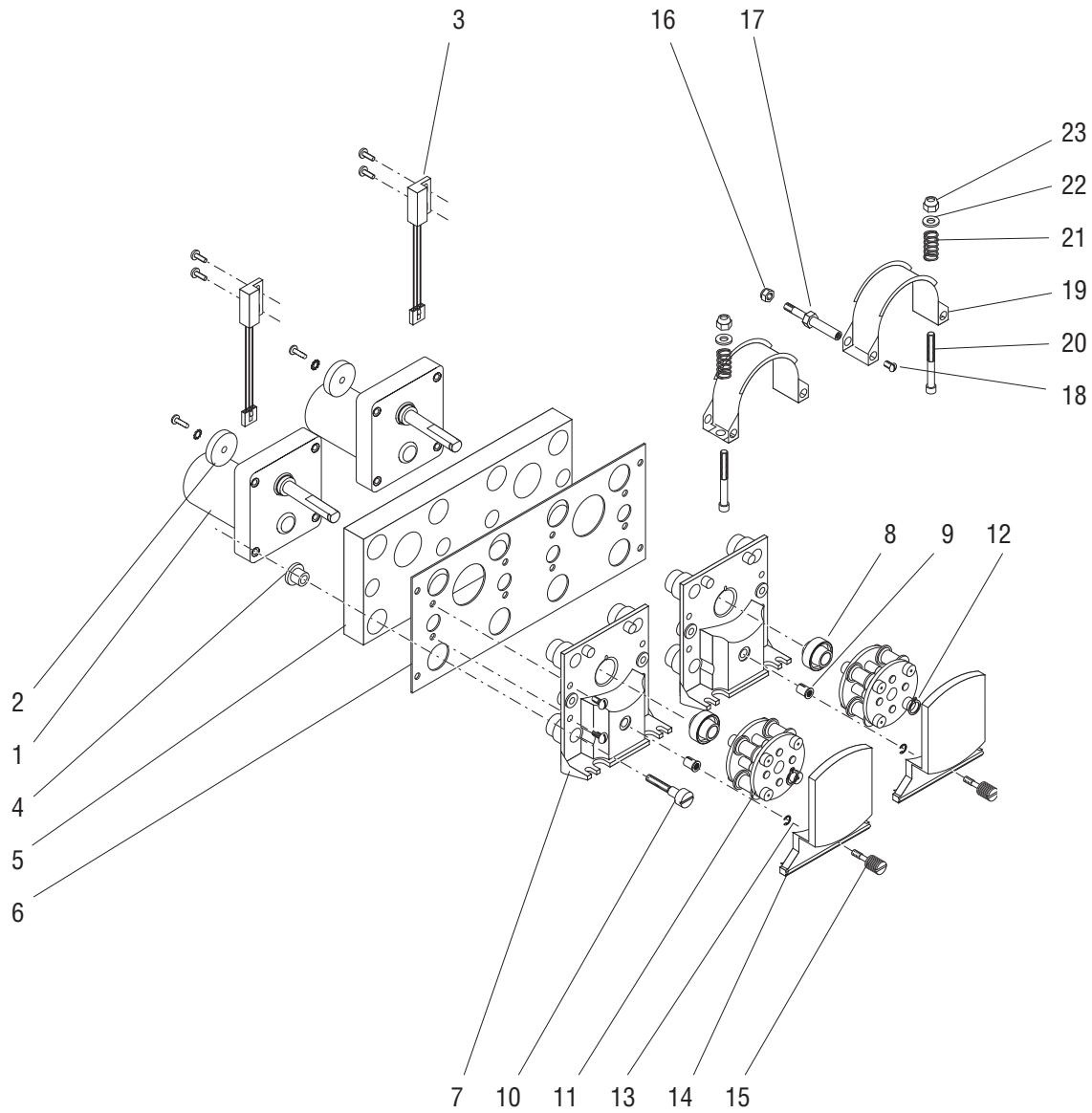
(Continued)

(Continued)



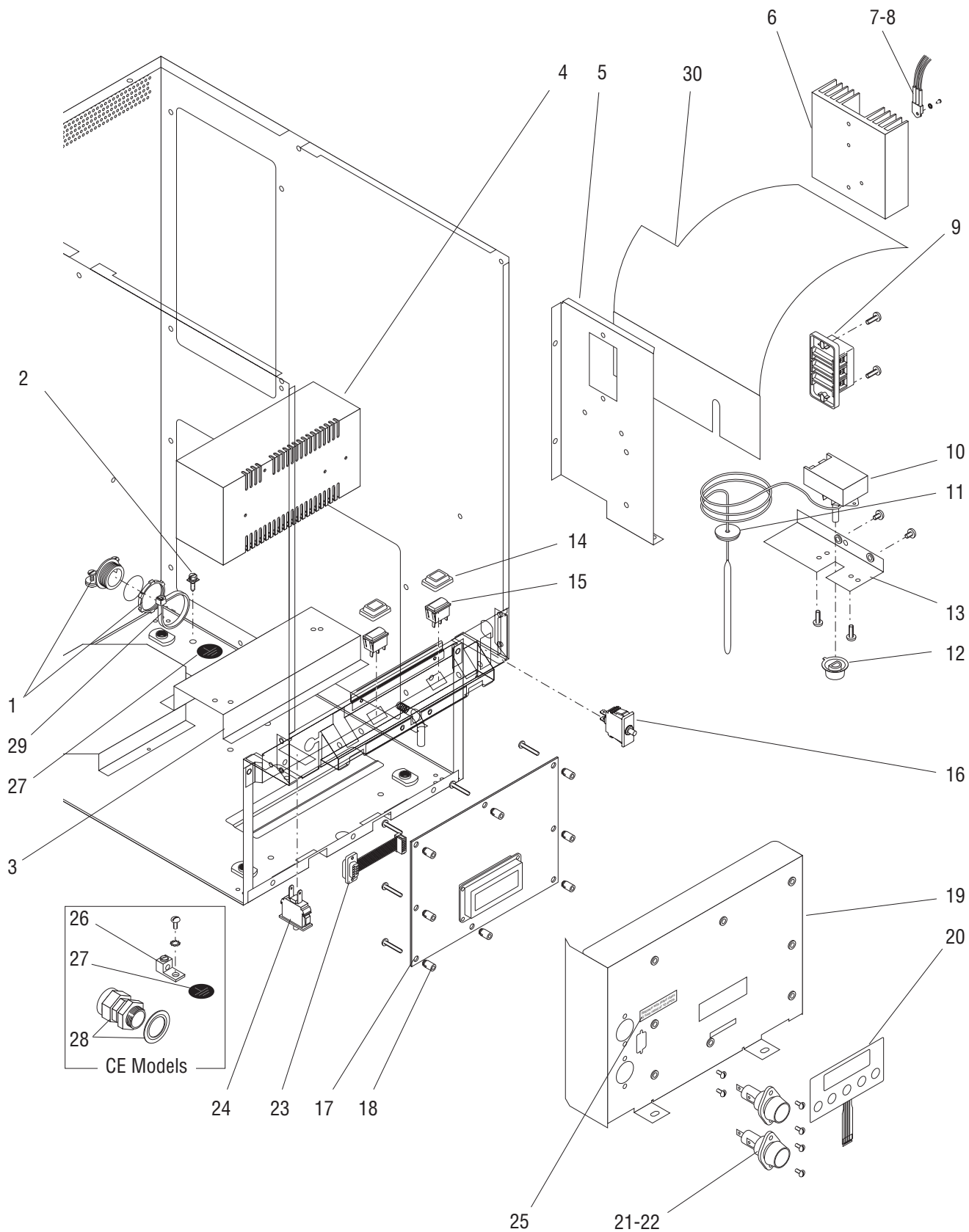
DISPENSE VALVES & LINES

ITEM	PART NO.	QTY.	DESCRIPTION
27	35054.0000	2	Connector
Items 28 through 38 are Not Illustrated			
28	34400.0200	-	Adapter Kit (Incl. items 13,16, 19 & 37)(Uses .125" I.D. Hose & Clamps)
29	34400.0201	-	Adapter Kit (Incl. items 13,16, 19 & 37)(Uses .188" I.D. Hose & Clamps)
30	34400.0202	-	Adapter Kit (Incl. items 13,16, 20 & 37)(Uses .125" I.D. Hose & Clamps)
31	34400.0203	-	Adapter Kit (Incl. items 13,16, 20 & 37)(Uses .188" I.D. Hose & Clamps)
32	34400.0204	-	Adapter Kit (Incl.items 13,16, 26 & 37)(Uses .125" I.D. Hose & Clamps)
33	34400.0205	-	Adapter Kit (Incl. items 13,16, 26 & 37)(Uses .188" I.D. Hose & Clamps)
34	34400.0208	-	Adapter Kit, 14.0" Feed End (Incl. items 13,16, 19 & 37)(Uses .188" I.D. Hose & Clamps)
35	33159.1000	-	Tube, Silicone .375" ID x 12.0" (Use as required)
	33159.1001	-	Tube, Silicone .375" ID x 36.0" (Use as required)
36	28526.1000	-	Tube, Silicone .313" ID x 12.0" (Use as required)
	28526.1001	-	Tube, Silicone .313" ID x 36.0" (Use as required)
	28526.1002	-	Tube, Silicone .313" ID x 60.0" (Use as required)
37	M2531.0001	-	Lube Compound .30 oz.
38	34726.1000	-	Hose .125" I.D. x 10.0" (Use as required)
39	11707.1000	-	Tube, Silicone .25" ID x 12.0" (Use as required)
	11707.1001	-	Tube, Silicone .25" ID x 36.0" (Use as required)
	11707.1002	-	Tube, Silicone .25" ID x 120.0" (Use as required)
40	34202.0050	-	Repair Kit, Dispense Valve (Includes items for 1 Valve)



PUMP ASSEMBLY

ITEM	PART NO.	QTY.	DESCRIPTION
-	34682.1000	1	Pump Assy. (Includes items 2 - 23)
1	34536.0000	2	Motor
2	32654.0000	2	Magnet Hub
	01512.0000	2	Lockwasher, Ext.-tooth #10
	01331.0004	2	Screw, Round Head Sltd. Locking #10-32 x .50"
3	33608.1000	2	RPM Sensor
	02336.0000	4	Screw, Truss Head Sltd. #4-40 x .38"
4	32957.0000	8	Bushing, Rubber
5	34748.0000	1	Insulation
6	34193.0000	1	Bracket, Pump Mounting
	01317.0000	4	Screw, Truss Head Sltd. #8-32 x .50"
7	34166.0000	2	Block
	02328.0003	8	Screw, Pan Head Sltd. #6-32 x .312"
8	33825.0000	2	Bearing
9	32928.0000	2	Insert, Threaded #10-32
10	32927.0000	8	Shoulder Bolt #10-32
11	32706.1000	2	Rotor
12	32652.0000	2	Ring, Retaining
13	34998.0000	2	E-ring
14	34167.0000	2	Cover
15	34997.0000	2	Thumb Screw #10-32 x .625"
16	34765.0000	2	Nut, Flanged #10-32
17	32609.0000	2	Standoff
18	01311.0001	2	Screw, Truss Head Sltd. Locking #8-32 x .25"
19	34713.0000	2	Compression Band
20	33295.0001	2	Screw #10-32 NF x 2.50"
21	23918.0001	2	Spring
22	01522.0000	2	Washer
23	00991.0003	2	Nut, Elastic Lock #10-32

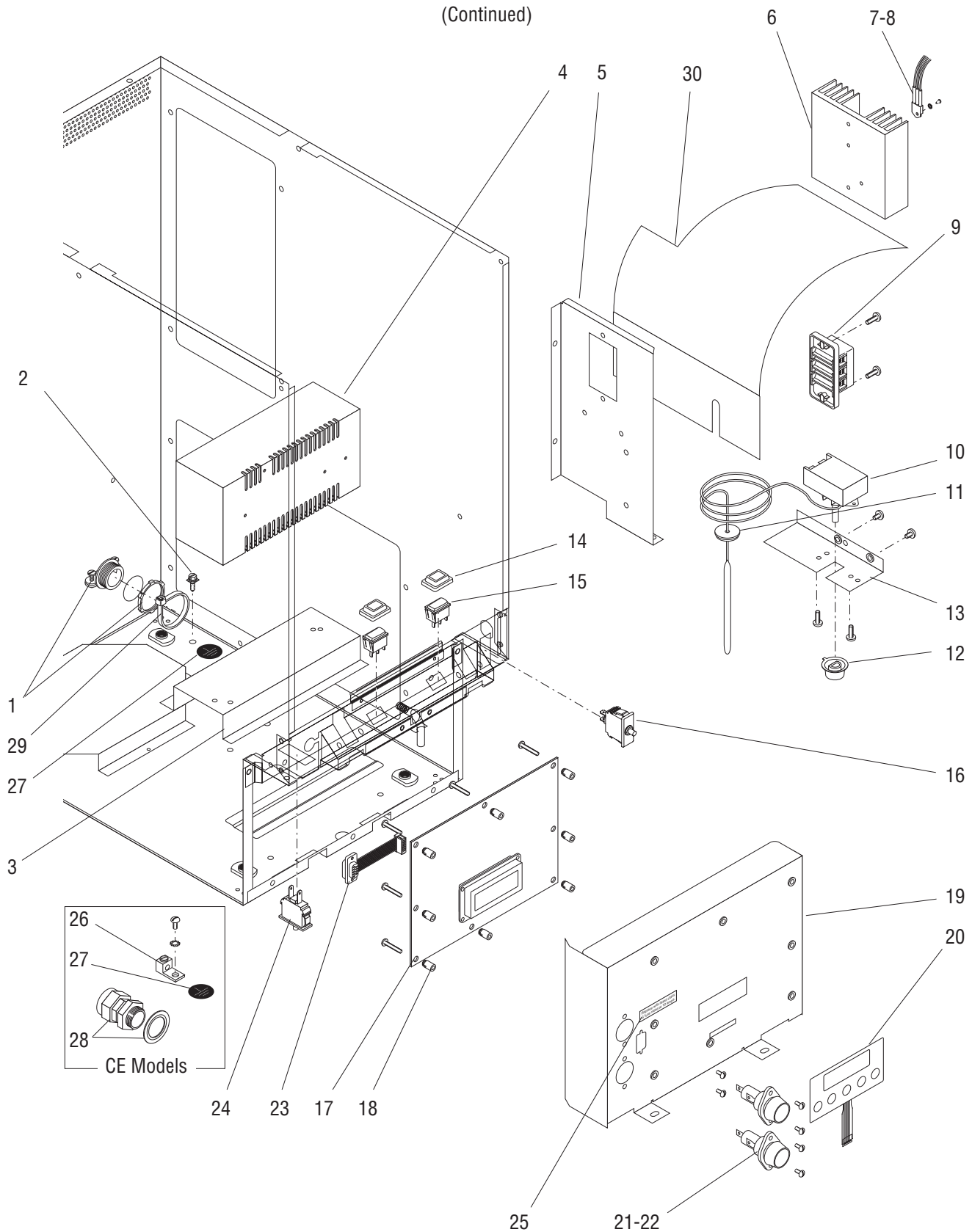


ELECTRICAL CONTROLS

ITEM	PART NO.	QTY.	DESCRIPTION
1	01590.0000	1	Cable Connector
2	01309.0000	1	Screw, Grounding #10-32 x .50"
3	34345.0000	1	Bracket
	01311.0000	1	Screw, Truss Head Sltd. #8-32 x .25"
4	33363.0000	1	Power Supply
	32283.0000	2	Screw, M4 x 6mm
5	34164.0000	1	Bracket
	01311.0003	2	Screw, Truss Head Sltd. Blk #8-32 x .25"
	01311.0000	1	Screw, Truss Head Sltd. SST #8-32 x .25"
6	20541.0001	1	Heat Sink
	01347.0000	2	Screw, Truss Head Serr. #6-32 x .38"
7	12565.0011	1	Triac, 40A
	01520.0000	1	Lockwasher, Split #6
	02328.0003	1	Screw, Pan Head Sltd. #6-32 x .312"
8	M2522.1000	-	Heat Sink Compound
9	07038.0000	1	Terminal Block, 3-Pole
	01106.0003	1	Terminal Block, 2-Pole (230V CE Models)
	01317.0000	2	Screw, Truss Head Sltd. #8-32 x .50"
10	07045.0004	1	Thermostat (Includes items 11, 12 & 13)
	02301.0001	2	Screw, Pan Head Phillips #6-32 x .312"
11	07073.0000	1	Grommet, Thermostat
12	00720.0000	1	Knob
13	28224.0001	1	Bracket
	01311.0003	2	Screw, Truss Head Sltd. Blk #8-32 x .25"
14	34390.0000	2	Cap, Rocker Switch
15	27437.0001	2	Switch, Selector
16	34386.0000	1	Switch, Door Open
17	34197.1001	1	Circuit Board, Control
	38123.0000	8	Screw, Truss Head #6-32 x 1.00"
18	29081.0003	8	Spacer
19	38492.0000	1	Bracket
	34380.0000	1	Bracket (230V CE Models only)
	01311.0000	2	Screw, Truss Head Sltd. #8-32 x .25"
20	34205.1000	1	Membrane Switch
21	21741.0000	2	Fuse Holder (230V CE Models only)
	02328.0003	4	Screw, Pan Head Sltd. #6-32 x .312"
22	22012.0000	2	Fuse, 10A (230V CE Models only)

(Continued)

(Continued)



ELECTRICAL CONTROLS

ITEM	PART NO.	QTY.	DESCRIPTION
23	34393.0000	1	Cable, Ribbon
	02327.0002	2	Screw, Pan Head Sltd. Locking #4-40 x .312"
24	34386.0000	1	Switch, Dispense Volume Memory
25	27443.0001	1	Decal, Fuse Rating (230V CE Models only)
26	27705.0000	1	Terminal Lug (230V CE Models)
	01375.0000	1	Screw, Pan Head Brass #10-32 x .50"
	01512.0000	1	Lockwasher, Ext.-tooth #10
27	00824.0000	1	Decal, Ground
28	32833.0000	1	Strain Relief, Cord (230V CE Models)
	01531.0000	1	Washer, Reducing
29	03290.0000	1	Cable Tie, Power Cord Retainer
30	00637.0007	1	Shield. Terminal Block
The following items are not illustrated			
31	20630.0005	1	Power Cord (LCC-2 & LCA-2 Models only)
	23799.0001	1	Power Cord (LCC-2C & LCA-2C Models only)
32	34534.0000	1	Harness, Main Wiring (Early models)
	36798.0000	1	Harness, Main Wiring (Late models)
	34534.0001	1	Harness, Main Wiring (230V CE Models)(Early models)
	36798.0001	1	Harness, Main Wiring (230V CE Models)(Late models)
33	34535.0000	1	Harness, Switches/Power (Early models)
	38570.0000	1	Harness, Switches/Power (Late models)
34	34519.0000	1	Harness, Portion Control Wiring (Early models)
35	34523.0000	1	Harness, Motors Wiring
36	34525.0000	1	Harness, T-block to Tank Heater & Limit
37	34526.0000	1	Harness, Probe Wiring (Early models)
38	36045.0000	1	Harness, Refrigeration
39	34961.0000	1	Harness, Tube Warmer Wiring (Early models)
40	21014.0196	1	Lead, Thermostat Blk 30.0"
41	35081.0000	1	Wire, Double Limit Jumper (230V CE Models)
42	36049.0000	1	Jumper - Compressor Module
43	36049.0000	1	Jumper, Circuit Board (Models with Pull and Hold Controls)
	36049.0001	1	Jumper, Circuit Board (Models with Portion Controls)
44	37518.0000	1	Harness, Door Wiring (Late models)

NUMERICAL INDEX

PART NO.	PAGE NO.	PART NO.	PAGE NO.	PART NO.	PAGE NO.	PART NO.	PAGE NO.
00467.0000.....	17,19	11630.0001.....	25	32928.0000.....	31	34389.0001.....	23
00606.0000.....	15	11646.0002.....	5	32957.0000.....	31	34390.0000.....	33
00617.0000.....	15	11707.1000.....	7,29	33039.0001.....	9	34392.0000.....	25
00637.0007.....	35	11707.1001.....	7,29	33159.1000.....	29	34393.0000.....	35
00656.0000.....	5	11707.1002.....	7,29	33159.1001.....	29	34400.0200.....	29
00720.0000.....	33	12322.1000.....	23	33160.0000.....	27	34400.0201.....	29
00824.0000.....	35	12377.0000.....	23	33295.0001.....	31	34400.0202.....	29
00901.0000.....	15	12398.0002.....	23	33297.0001.....	15	34400.0203.....	29
00906.0000.....	23	12422.0000.....	27	33363.0000.....	33	34400.0204.....	29
00908.0000.....	23	12422.0001.....	25	33418.0001.....	23	34400.0205.....	29
00946.0000.....	23	12422.0005.....	25	33434.1000.....	9	34400.0208.....	29
00970.0000.....	23,27	12422.0006.....	27	33434.1002.....	9	34472.0000.....	5
00971.0000.....	23	12422.0007.....	27	33608.1000.....	31	34473.0000.....	9
00986.0002.....	5	12422.0011.....	27	33825.0000.....	31	34519.0000.....	35
00991.0003.....	31	12565.0011.....	33	33926.1000.....	23	34523.0000.....	35
01106.0003.....	33	12570.0000.....	23	34150.0000.....	9	34525.0000.....	35
01219.0000.....	9	20203.0100.....	23	34152.0001.....	5	34526.0000.....	35
01309.0000.....	33	20541.0001.....	33	34158.0000.....	23	34527.0000.....	9
01311.0000.....	9,11,15,33	20630.0005.....	35	34160.0000.....	23	34529.0000.....	15
01311.0001.....	31	20936.1000.....	23	34164.0000.....	33	34531.1000.....	9
01311.0003.....	5,7,33	20976.1000.....	25	34166.0000.....	31	34534.0000.....	35
01315.0000.....	27	20976.1001.....	25	34167.0000.....	31	34534.0001.....	35
01315.0005.....	5,7,23	21014.0196.....	35	34186.1002.....	5	34535.0000.....	35
01317.0000.....	31,33	21741.0000.....	33	34190.0000.....	7	34536.0000.....	31
01321.0001.....	9	22012.0000.....	33	34193.0000.....	31	34644.0000.....	27
01326.0000.....	23	22728.0002.....	23	34194.1001.....	7	34666.0001.....	13
01326.0005.....	15	23717.0003.....	23	34197.1001.....	33	34667.0000.....	9
01327.0000.....	15	23799.0001.....	35	34198.0000.....	27	34682.1000.....	31
01331.0004.....	31	23918.0001.....	31	34202.0000.....	27	34684.0000.....	23
01347.0000.....	33	24733.0011.....	27	34202.0050.....	29	34689.0000.....	27
01375.0000.....	35	26444.0000.....	9	34205.1000.....	33	34702.0000.....	13
01382.0000.....	5,15	26528.0000.....	5	34283.0000.....	9	34708.0000.....	9
01501.0000.....	23	26622.0002.....	23	34284.1000.....	9	34709.0000.....	11
01512.0000.....	31,35	27411.0000.....	17	34334.0000.....	9	34710.0000.....	11
01520.0000.....	33	27437.0001.....	33	34335.0002.....	5	34711.0000.....	9
01522.0000.....	31	27442.0000.....	7	34340.0000.....	11	34712.0000.....	9
01526.0001.....	5	27443.0001.....	35	34340.1000.....	9	34713.0000.....	31
01531.0000.....	35	27705.0000.....	35	34341.1000.....	9	34714.0000.....	27
01590.0000.....	33	28181.0003.....	7	34345.0000.....	33	34715.0000.....	27
02301.0001.....	33	28224.0001.....	33	34346.1000.....	27	34726.1000.....	29
02327.0002.....	35	28526.1000.....	29	34362.0000.....	9	34727.1000.....	27
02328.0003.....	31,33	28526.1001.....	29	34362.0001.....	9	34727.1001.....	27
02336.0000.....	9,13,31	28526.1002.....	29	34363.1000.....	5	34728.1000.....	27
02370.0003.....	15	29081.0003.....	33	34366.0000.....	5	34741.0000.....	9
02536.0000.....	5,23	29327.0000.....	23	34368.0000.....	5	34742.0000.....	9
03290.0000.....	35	29576.0000.....	27	34377.0001.....	5	34748.0000.....	31
03633.0000.....	23	32283.0000.....	33	34379.0001.....	5	34765.0000.....	5,31
03803.0002.....	23	32609.0000.....	31	34380.0000.....	33	34768.0000.....	23
03807.0000.....	23	32652.0000.....	31	34384.0000.....	27	34783.0000.....	5
05515.0000.....	23	32654.0000.....	31	34385.0001.....	5	34803.1000.....	15
05920.0000.....	27	32656.0000.....	5	34385.0003.....	5	34807.0000.....	27
07038.0000.....	33	32706.1000.....	31	34386.0000.....	33,35	34809.0000.....	9
07045.0004.....	33	32833.0000.....	35	34387.0000.....	9	34821.1000.....	5
07073.0000.....	23,33	32927.0000.....	31	34388.1000.....	9	34893.0001.....	7

NUMERICAL INDEX

PART NO.	PAGE NO.	PART NO.	PAGE NO.	PART NO.	PAGE NO.	PART NO.	PAGE NO.
34895.0000.....	23	36049.0001.....	35				
34960.0000.....	5	36050.0000.....	15				
34961.0000.....	35	36050.0001.....	15				
34962.1000.....	27	36056.0000.....	15				
34997.0000.....	31	36077.0000.....	15				
34998.0000.....	31	36077.0001.....	15				
35053.0000.....	27	36113.0000.....	13				
35054.0000.....	29	36117.0000.....	15				
35055.0000.....	27	36118.0000.....	15				
35056.0000.....	27	36149.0000.....	7,11				
35057.0000.....	27	36308.0001.....	19				
35057.0001.....	27	36554.0000.....	11				
35081.0000.....	35	36673.0000.....	11				
35087.0000.....	11	36785.0000.....	11				
35188.0000.....	5	36786.0000.....	11				
35581.0001.....	17,19	36798.0000.....	35				
35819.0000.....	17	36798.0001.....	35				
35820.0000.....	17,19	37518.0000.....	35				
35821.0000.....	15	37881.0000.....	7				
35822.0000.....	21	38044.0000.....	9				
35822.0001.....	21	38123.0000.....	33				
35823.0000.....	15	38301.0000.....	15				
35825.0001.....	5	38492.0000.....	33				
35827.0000.....	15	38570.0000.....	35				
35829.0001.....	7	M2336.1000	17,19				
35830.0000.....	15	M2522.1000	33				
35833.0000.....	7	M2531.0001	29				
35834.0000.....	15						
35836.0000.....	15						
35838.0000.....	15						
35883.0003.....	7						
35884.1003.....	7						
35887.0000.....	15						
35888.0000.....	15						
35890.0001.....	7						
35891.0000.....	15						
35959.0000.....	13						
35961.0000.....	21						
35962.0000.....	21						
35963.0000.....	21						
35965.0000.....	15						
36010.0000.....	17,19						
36011.0000.....	7						
36012.0000.....	11						
36016.0000.....	15						
36018.0001.....	17						
36019.0001.....	17,19						
36020.0001.....	17,19						
36021.0001.....	17						
36025.0000.....	5						
36025.0001.....	5						
36037.0000.....	15						
36045.0000.....	35						
36049.0000.....	35						