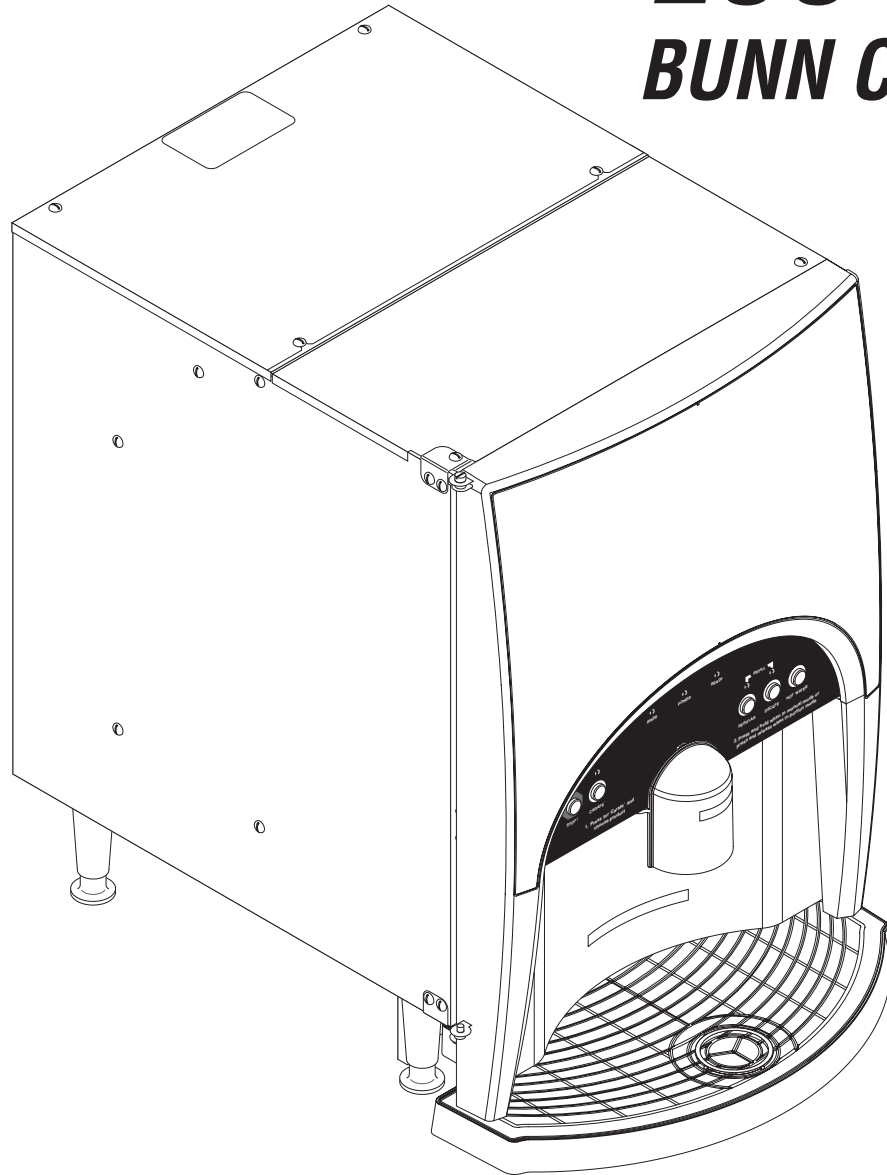


BUNN®

LCC-2 LP BUNN CHILLED



ILLUSTRATED PARTS CATALOG

Designs, materials, weights, specifications, and dimensions for equipment or replacement parts are subject to change without notice.

BUNN-O-MATIC CORPORATION

POST OFFICE BOX 3227

SPRINGFIELD, ILLINOIS 62708-3227

PHONE: (217) 529-6601 FAX: (217) 529-6644

BUNN-O-MATIC COMMERCIAL PRODUCT WARRANTY

Bunn-O-Matic Corp. ("BUNN") warrants equipment manufactured by it as follows:

- 1) All equipment other than as specified below: 2 years parts and 1 year labor.
- 2) Electronic circuit and/or control boards: parts and labor for 3 years.
- 3) Compressors on refrigeration equipment: 5 years parts and 1 year labor.
- 4) Grinding burrs on coffee grinding equipment to grind coffee to meet original factory screen sieve analysis: parts and labor for 3 years or 30,000 pounds of coffee, whichever comes first.

These warranty periods run from the date of installation. BUNN warrants that the equipment manufactured by it will be commercially free of defects in material and workmanship existing at the time of manufacture and appearing within the applicable warranty period. This warranty does not apply to any equipment, component or part that was not manufactured by BUNN or that, in BUNN's judgment, has been affected by misuse, neglect, alteration, improper installation or operation, improper maintenance or repair, damage or casualty. This warranty is conditioned on the Buyer 1) giving BUNN prompt notice of any claim to be made under this warranty by telephone at (217) 529-6601 or by writing to Post Office Box 3227, Springfield, Illinois 62708-3227; 2) if requested by BUNN, shipping the defective equipment prepaid to an authorized BUNN service location; and 3) receiving prior authorization from BUNN that the defective equipment is under warranty.

THE FOREGOING WARRANTY IS EXCLUSIVE AND IS IN LIEU OF ANY OTHER WARRANTY, WRITTEN OR ORAL, EXPRESS OR IMPLIED, INCLUDING, BUT NOT LIMITED TO, ANY IMPLIED WARRANTY OF EITHER MERCHANTABILITY OR FITNESS FOR A PARTICULAR PURPOSE. The agents, dealers or employees of BUNN are not authorized to make modifications to this warranty or to make additional warranties that are binding on BUNN. Accordingly, statements by such individuals, whether oral or written, do not constitute warranties and should not be relied upon.

If BUNN determines in its sole discretion that the equipment does not conform to the warranty, BUNN, at its exclusive option while the equipment is under warranty, shall either 1) provide at no charge replacement parts and/or labor (during the applicable parts and labor warranty periods specified above) to repair the defective components, provided that this repair is done by a BUNN Authorized Service Representative; or 2) shall replace the equipment or refund the purchase price for the equipment.

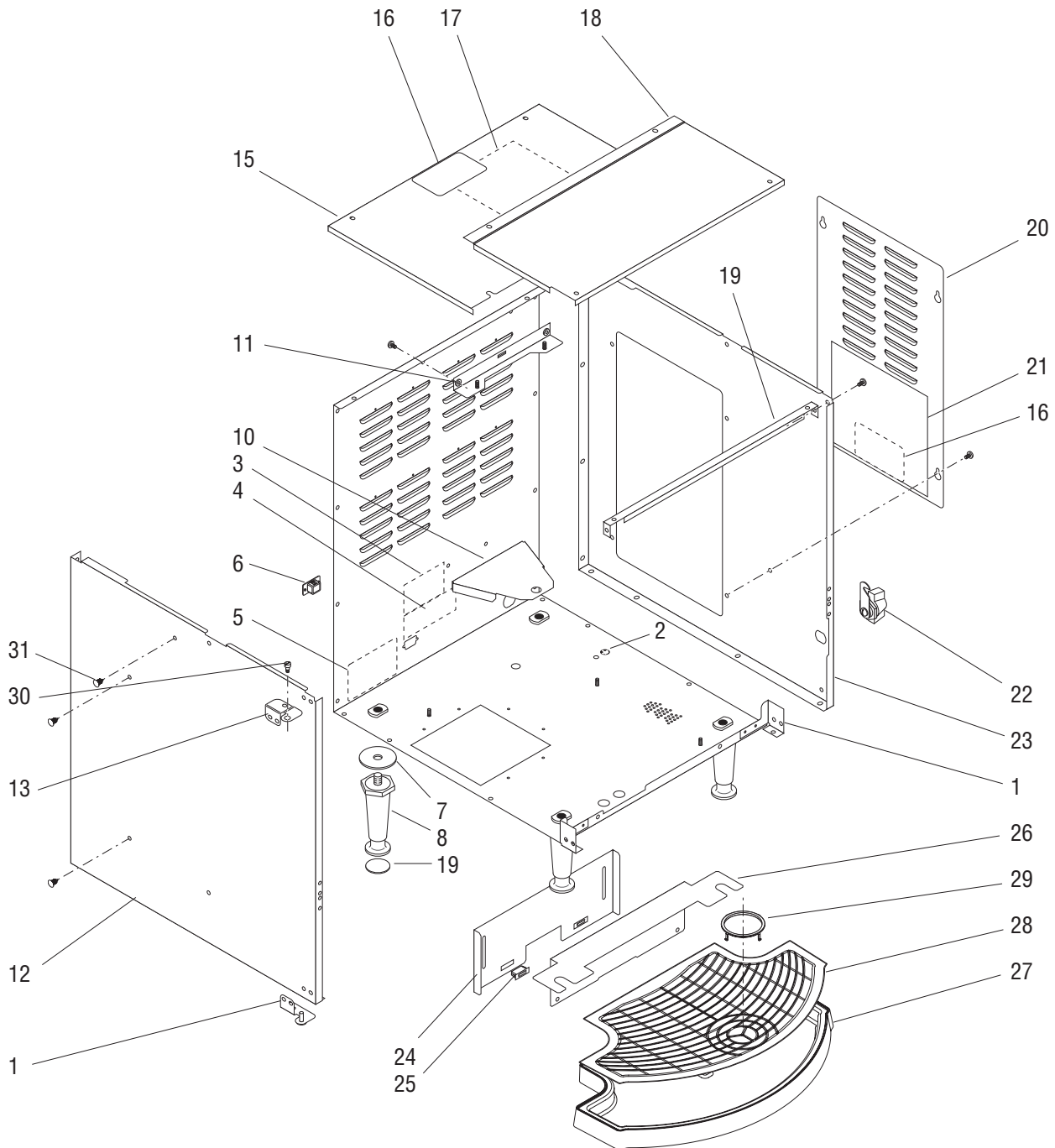
THE BUYER'S REMEDY AGAINST BUNN FOR THE BREACH OF ANY OBLIGATION ARISING OUT OF THE SALE OF THIS EQUIPMENT, WHETHER DERIVED FROM WARRANTY OR OTHERWISE, SHALL BE LIMITED, AT BUNN'S SOLE OPTION AS SPECIFIED HEREIN, TO REPAIR, REPLACEMENT OR REFUND.

In no event shall BUNN be liable for any other damage or loss, including, but not limited to, lost profits, lost sales, loss of use of equipment, claims of Buyer's customers, cost of capital, cost of down time, cost of substitute equipment, facilities or services, or any other special, incidental or consequential damages.

BUNN, LCA-2 LP and BUNNLink are either trademarks or registered trademarks of Bunn-O-Matic Corporation.

TABLE OF CONTENTS

Cabinet Assembly	10
Dispense Valve and Mixing Chamber	20
Door Assembly	8
Electrical Components	22
Fan, Air Duct & Filter.....	12
Housing, Panels & Drip Tray	4
Numerical Index.....	24
Pump Assembly.....	14
Tank Assembly.....	18
Water Inlet & Tank Drain	16



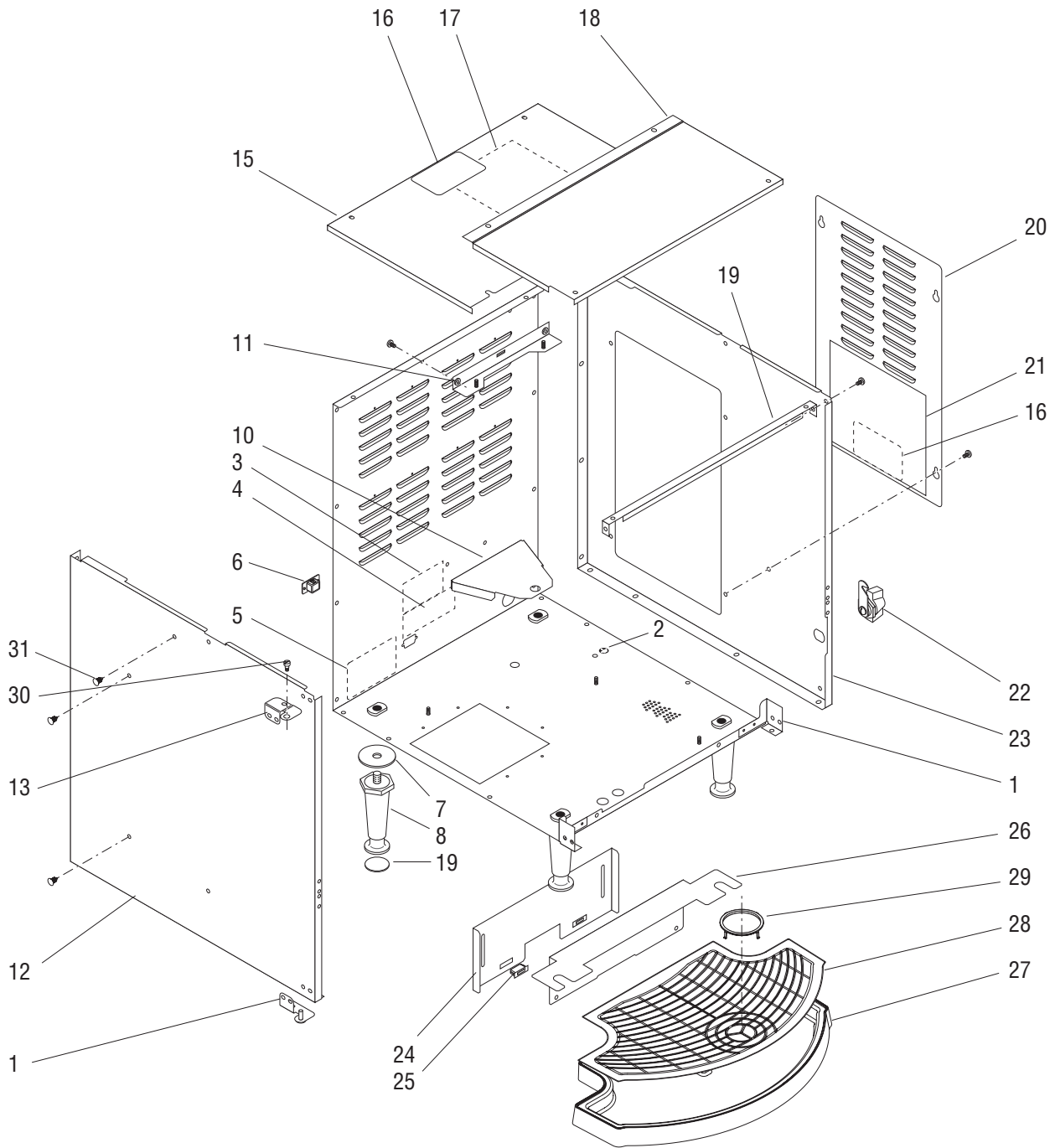
HOUSING, PANELS AND DRIP TRAY

ITEM	PART NO.	QTY.	DESCRIPTION
1	37590.0001	1	Housing
2	00824.0000	1	Decal, Ground Screw
3	00986.0002	1	Decal, Warning - Electrical
4	00656.0000	1	Decal, Comply to Plumbing Code
5	-----	1	Machine Data Plate (Not serviced)
6	36398.0000	1	Plug, BunnLink Access
7	01526.0001	4	Washer
8	26528.0000	4	Leg
9	03996.0000	4	Pad, Non-skid
10	36941.0000	1	Bracket, Lower Tank Mount
	01315.0005	2	Screw, Truss Head BLK #8-32 x .38"
11	34118.0001	1	Bracket, Upper Tank Mount
	01315.0005	2	Screw, Truss Head BLK #8-32 x .38"
12	37708.0001	1	Panel, Left Side
	01315.0005	7	Screw, Truss Head BLK #8-32 x .38"
13	37578.0001	1	Hinge Bracket, Upper
	01315.0005	3	Screw, Truss Head BLK #8-32 x .38"
14	37716.0001	1	Hinge Bracket, Lower
	01315.0005	3	Screw, Truss Head BLK #8-32 x .38"
15	36945.1000	1	Top Cover w/Decals, Rear (Includes items 16 & 17)
	01315.0005	2	Screw, Truss Head BLK #8-32 x .38"
16	37881.0000	2	Decal, No Serviceable Parts
17	25151.0000	1	Shield, Insulator
18	36938.0001	1	Top Cover, Front
	01315.0005	4	Screw, Truss Head BLK #8-32 x .38"
19	36944.0000	1	Bracket
	01315.0005	1	Screw, Truss Head BLK #8-32 x .38"
20	36939.0001	1	Panel, Access
	01315.0005	4	Screw, Truss Head BLK #8-32 x .38"
21	37921.0003	1	Electrical Schematic 120V
22	34472.0000	1	Lock Assembly
23	37589.0001	1	Panel, Right Side
	01315.0005	10	Screw, Truss Head BLK #8-32 x .38"
24	37709.0000	1	Bracket, Drip Tray Adjustment
25	21436.0000	2	Catch, Magnetic

(Continued)

* Indicates the part number listed is for reference only. See DESCRIPTION for possible service replacement.

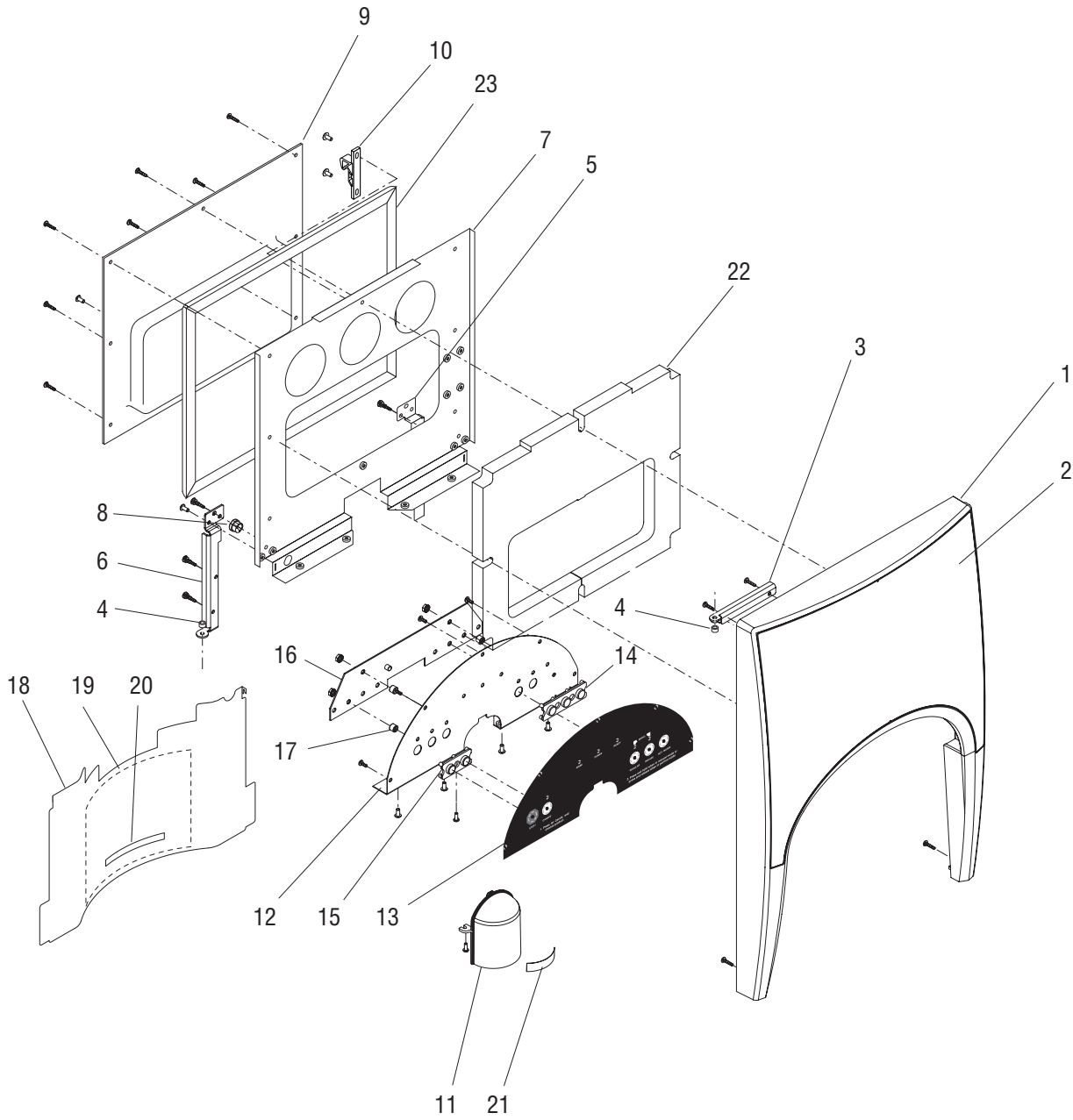
(Continued)



HOUSING, PANELS AND DRIP TRAY

ITEM	PART NO.	QTY.	DESCRIPTION
26	37710.0000	1	Bracket, Drip Tray Mounting
	01311.0000	2	Screw, Truss Head #8-32 x .25"
27	37846.1000	1	Drip Tray
28	38185.1000	1	Cover Assy, Drip Tray (Includes item 29)
29	38047.1000	1	Cup Locator Ring
30	29504.0004	1	Screw, Shoulder #8-32 x .38" Lkg
31	36149.0000	3	Fastener

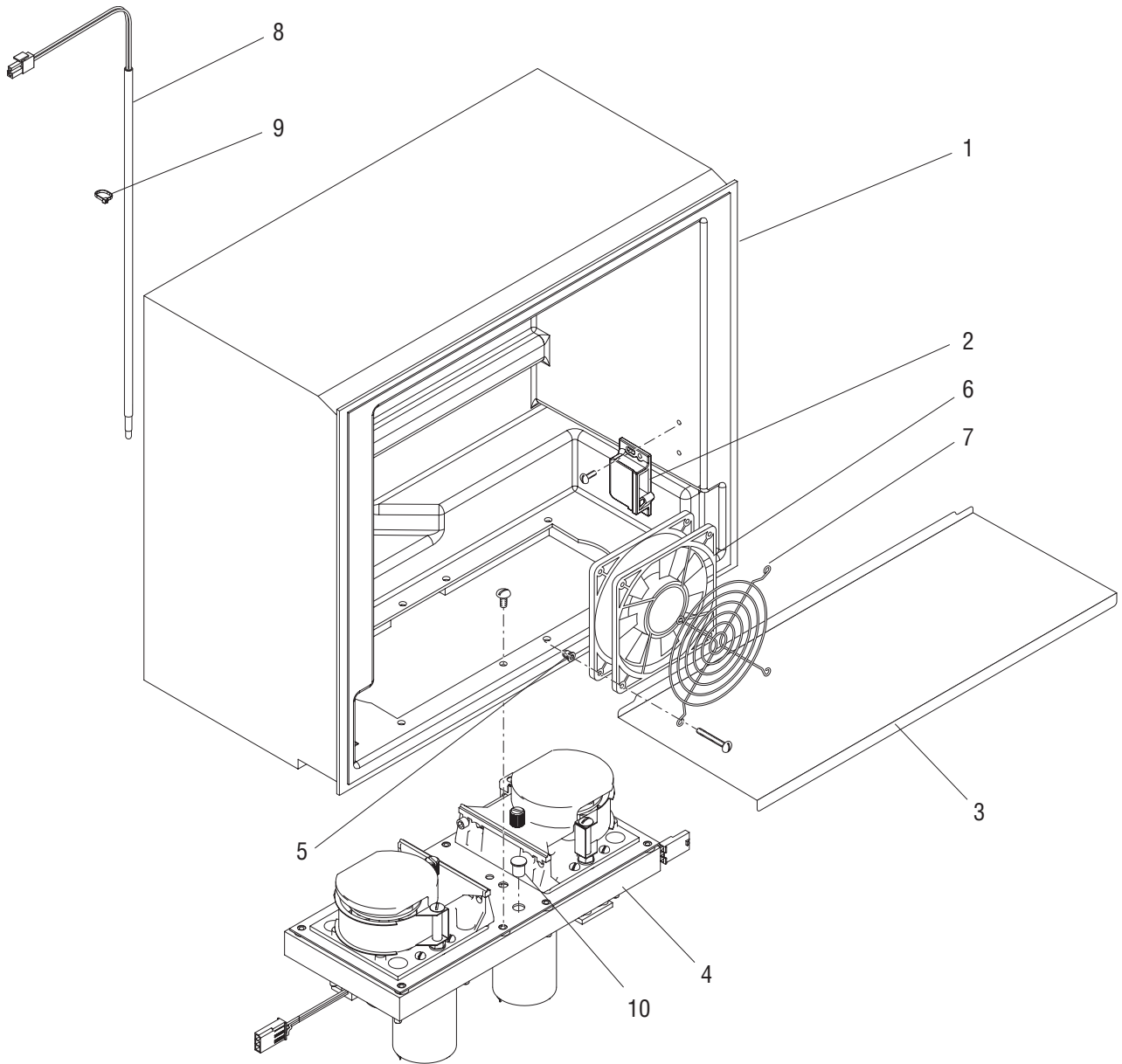
* Indicates the part number listed is for reference only. See DESCRIPTION for possible service replacement.



DOOR ASSEMBLY

ITEM	PART NO.	QTY.	DESCRIPTION
-	37826.0005	1	Door Assembly (Includes items)
1	37438.0000	1	Door (Includes item)
2	37833.0001	1	Decal, Door Graphic
3	38072.0000	1	Hinge, Top Door
	01360.0001	2	Screw, Pan Head, Phillips #6 x .60"
4	37825.0000	2	Spacer
5	37690.0000	1	Bracket, Door Lock Right
	01360.0001	4	Screw, Pan Head, Phillips #6 x .60"
	01382.0000	1	Screw, Truss Head #8 x .38"
6	37446.0000	1	Hinge, Bottom Door
	01360.0001	4	Screw, Pan Head, Phillips #6 x .60"
	01382.0000	1	Screw, Truss Head #8 x .38"
7	37442.0001	1	Bracket, Door Support
8	04822.0000	1	Bushing, Strain Relief
9	38795.0001	1	Liner, Inner Door
	01360.0001	7	Screw, Pan Head, Phillips #6 x .60"
	01382.0000	1	Screw, Truss Head #8 x .38"
10	34667.0000	1	Keeper, Door Latch
	01315.0000	2	Screw, Truss Head #8 x .38"
11	38794.1000	1	Cover W/Decal, Dispense Nozzle (Includes item 21)
	21717.0000	2	Screw, Pan Head, Std #6-32 x .375"
12	37440.1000	1	Panel w/Decals (Includes item 13)
	38044.0000	5	Screw, Pan Head, Phillips #6 x .375"
	01382.0000	4	Screw, Truss Head #8 x .38"
13	37585.0000	1	Decal, Control Panel
14	34387.0001	1	Cover, Push Button 3 Switch
15	34387.0000	1	Cover, Push Button 2 Switch
16	37561.1000	1	Circuit Board
17	37828.0000	5	Spacer
	00970.0000	5	Nut, Keps #8-32
18	37444.1001	1	Panel, Splash w/Decals (Includes items 19 & 21)
	01360.0001	2	Screw, Pan Head, Phillips #6 x .60"
19	38792.0000	1	Decal, Cleaning
20	11646.0002	1	Decal, Warning - Hot Liquid (English/French)
21	37280.0000	1	Decal, Warning - Hot Liquid
22	37441.0001	1	Insulation
23	36937.0000	1	Seal
24	37916.0000	1	Wiring Harness, Door Interconnect (Not illustrated)

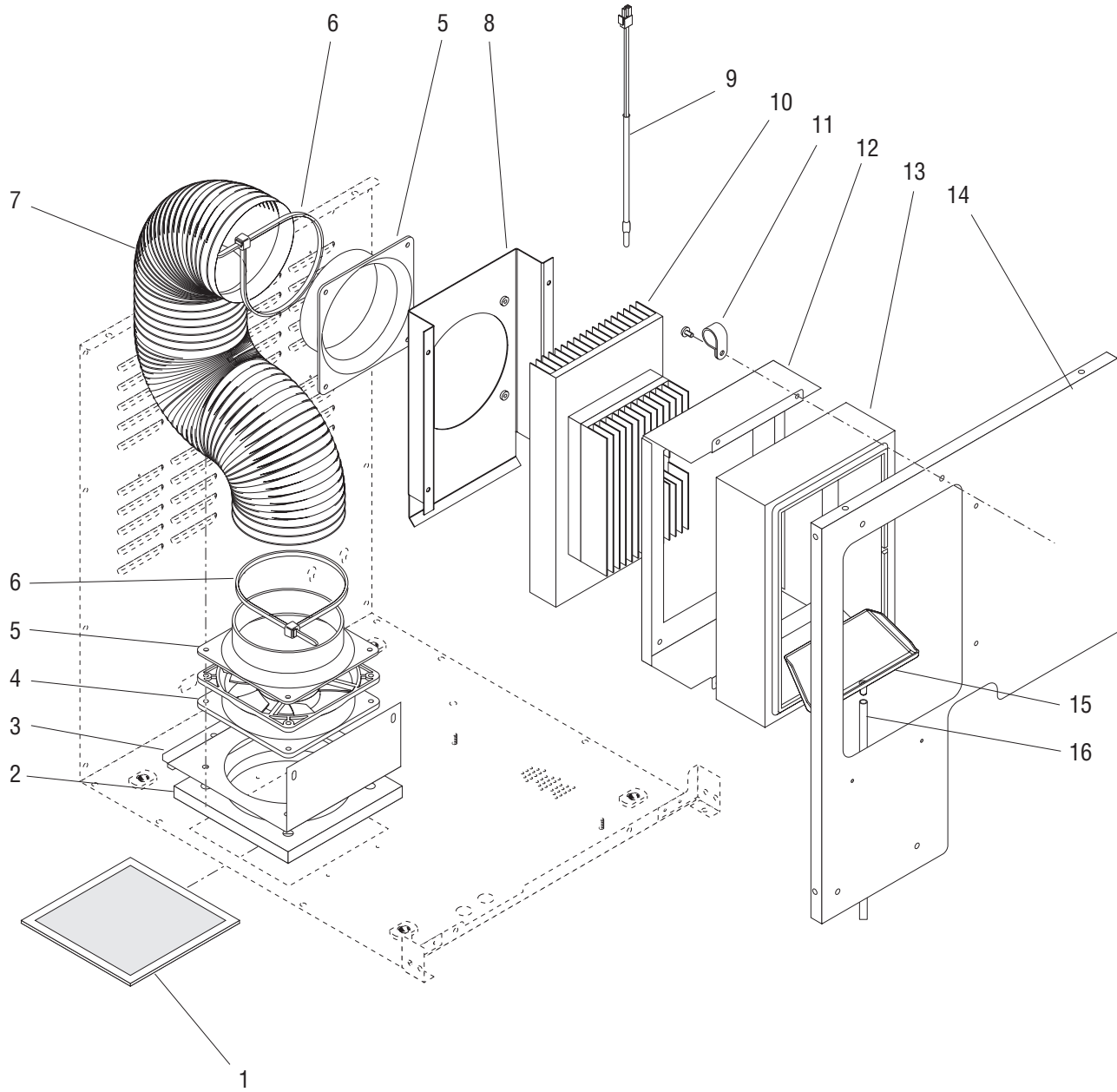
* Indicates the part number listed is for reference only. See DESCRIPTION for possible service replacement.



CABINET ASSEMBLY

ITEM	PART NO.	QTY.	DESCRIPTION
1	38797.0000*	1	Cabinet, Foamed
	38044.0000	2	Screw, Pan Head, Phillips #6 x .375"
2	34666.0001	1	Catch, Door Latch
	02336.0000	2	Screw, Truss Head #4-40 x .38"
3	38807.0000	1	Platform, Product
4	-----	1	Pump Assy (See PUMP ASSEMBLY)
	01315.0000	8	Screw, Truss Head #8 x .38"
5	38810.0000	4	Insert
6	33358.0000	1	Fan
7	34010.0000	1	Guard, Fan
	02370.0001	4	Screw, Pan Head #6-32 x 1.25"
8	34803.1000	1	Sensor, Temperature
9	00617.0000	1	Tie, Cable
10	00671.0000	1	Plug

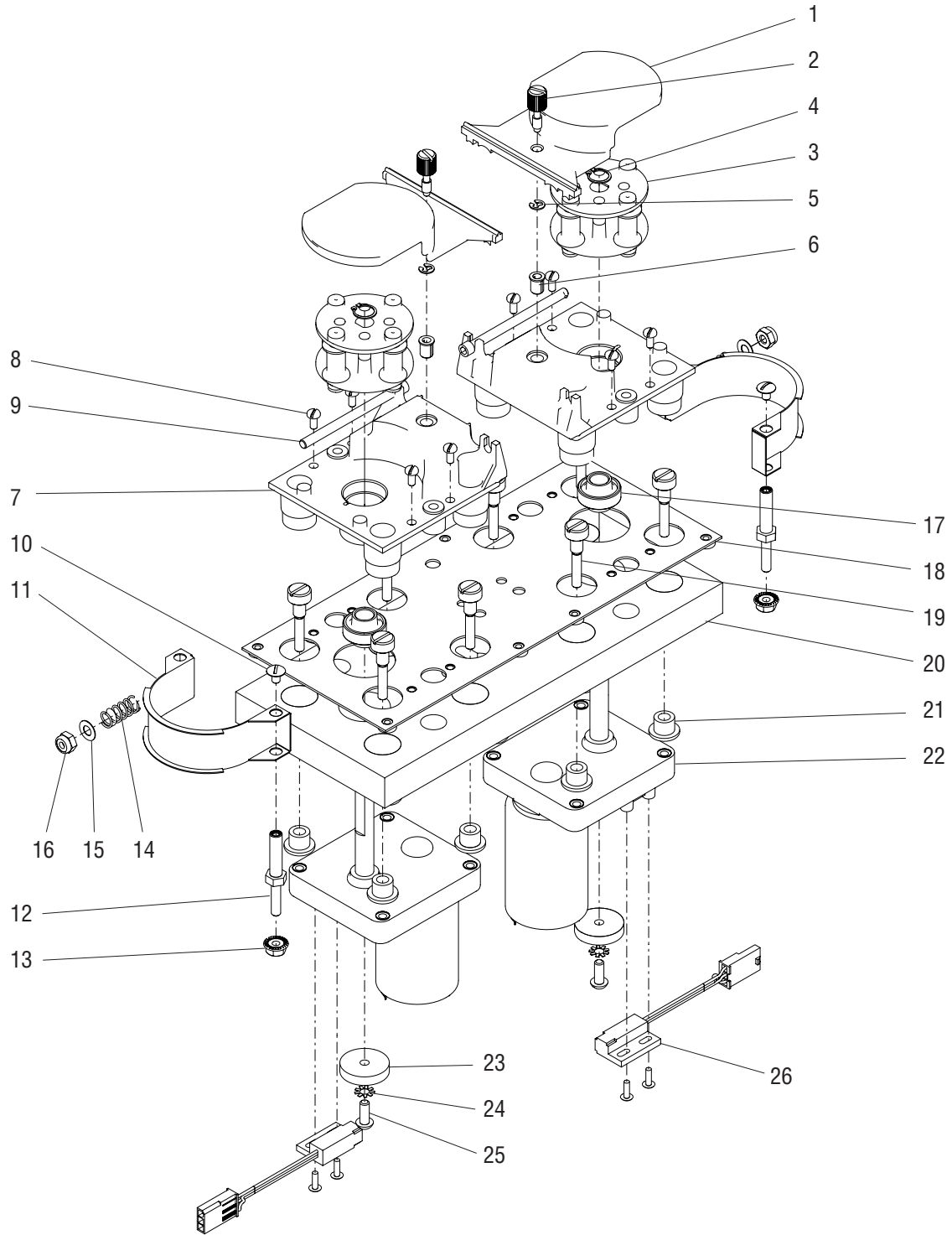
* Indicates the part number listed is for reference only. See DESCRIPTION for possible service replacement.



FAN, AIR DUCT & FILTER

ITEM	PART NO.	QTY.	DESCRIPTION
1	35833.0000	1	Filter Screen
2	32280.0000	1	Foam, Air Duct Fan
3	38806.0000	1	Bracket
	01311.0000	2	Screw, Truss Head #8-32 x .25"
	00970.0000	1	Nut, Keps #8-32
4	33297.0001	1	Fan Assy
	01384.0000	4	Screw, Truss Head #8-32 x 1.5"
5	38808.0000	2	Adapter, 4" Duct
6	32734.0000	2	Tie, Cable
7	38811.0000	1	Air Duct
8	38804.0000	1	Bracket
	01382.0000	8	Screw, Truss Head #6-32 x .38"
9	28891.1000	1	Probe, temperature
10	34265.0000	1	Thermoelectric Assy
	01326.0000	4	Screw, Truss Head #10-32 x .25"
11	00603.0000	1	Clamp
	01315.0000	1	Screw, Truss Head #8-32 x .38"
12	38802.0000	1	Bracket
	01315.0000	2	Screw, Truss Head #8-32 x .38"
13	38809.0000	1	Foam, Chiller
14	38799.0000	1	Panel, Center
	01315.0005	5	Screw, Truss Head BLK #8-32 x .38"
15	38822.0000	1	Condensation Tray
16	34726.1004	1	Tube, Norprene .125" ID x 12.0"

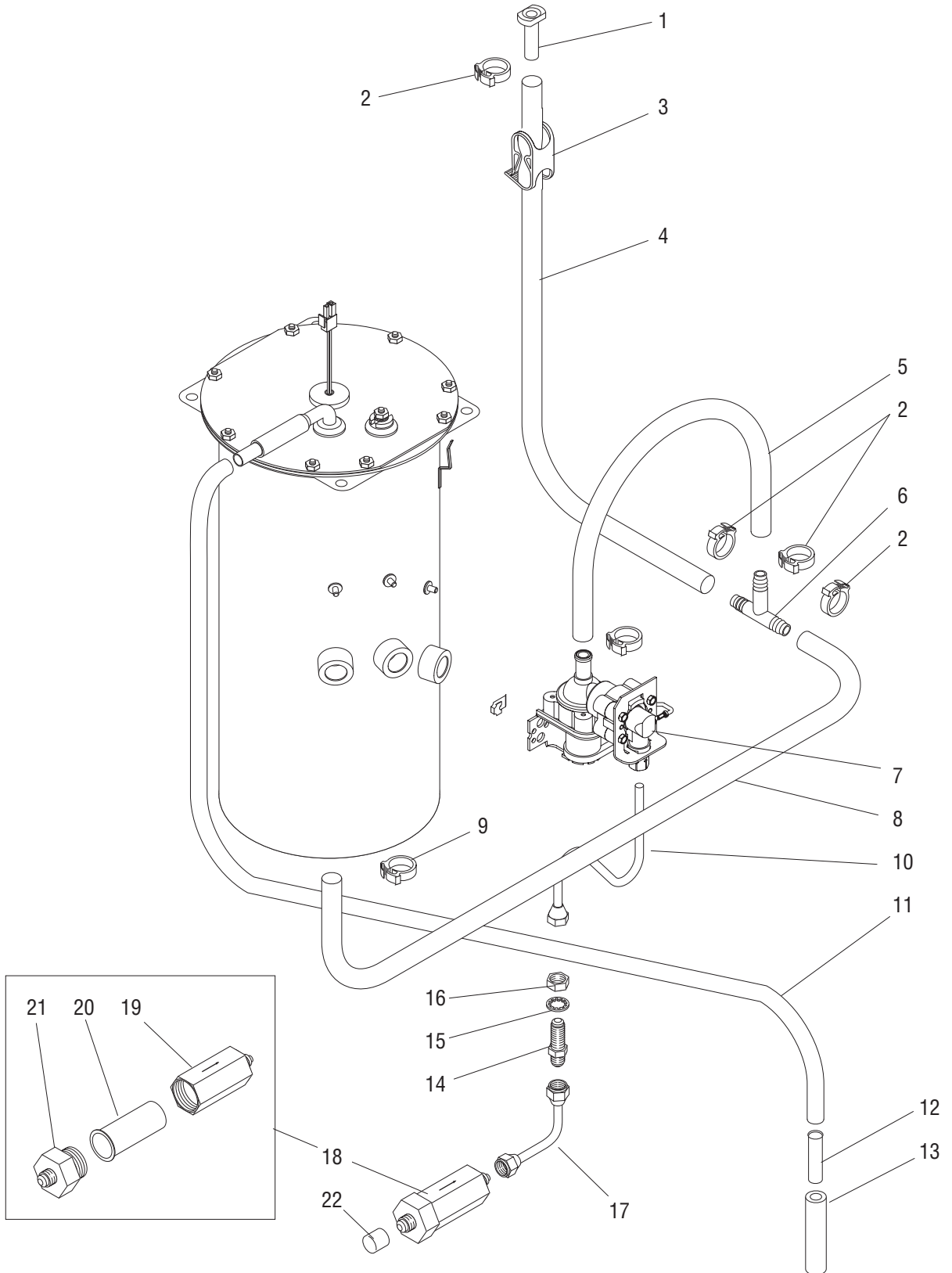
* Indicates the part number listed is for reference only. See DESCRIPTION for possible service replacement.



PUMP ASSEMBLY

ITEM	PART NO.	QTY.	DESCRIPTION
-	37829.1000	1	Pump Assy (Includes items 1 thru 26)
1	34167.0000	2	Cover, Pump Block
2	34997.0000	2	Thumb Screw
3	32706.1000	2	Rotor
4	32652.0000	2	Retaining Ring
5	34998.0000	2	Retaining Ring
6	32928.0000	2	Insert, Threaded
7	34166.0000	2	Block, Pump
8	02328.0003	8	Screw, Pan Head #6-32 x .312"
9	33295.0001	2	Capscrew #10-32 UNF x 2.5"
10	01311.0001	2	Screw, Truss Head #8-32 x .25" Locking
11	34713.0000	2	Compression Band
12	32609.0000	2	Standoff
13	34765.0000	2	Nut, Flanged #10-32
14	23918.0001	2	Spring, Compression
15	01522.0000	2	Washer
16	00991.0003	2	Nut, Elastic Lock #10-32
17	33825.0000	2	Bearing
18	36928.0000	1	Bracket, Pump Mounting
19	32927.0000	8	Screw, Shoulder #10-32 UNC
20	37580.0000	1	Insulation, Pump
21	32957.0000	8	Bushing
22	34536.0000	2	Motor
23	32654.0000	2	Magnet Hub
24	01512.0000	2	Lockwasher, External-tooth #10
25	01331.0004	2	Screw, Round Head, Locking #10-32
26	33608.1000	2	Sensor, RPM
	02336.0000	4	Screw, Truss Head #4-40 x .38"

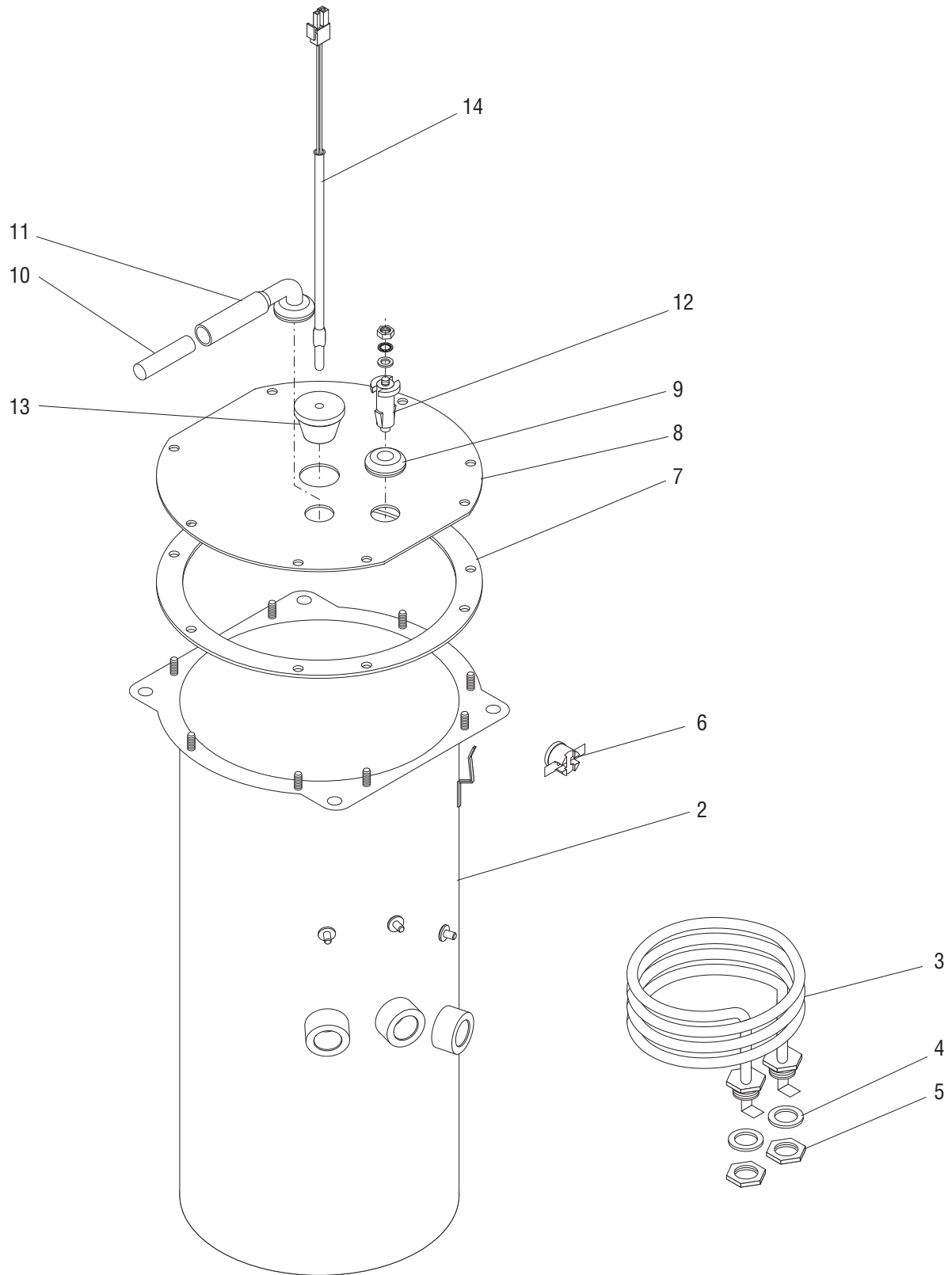
* Indicates the part number listed is for reference only. See DESCRIPTION for possible service replacement.



WATER INLET & TANK DRAIN

ITEM	PART NO.	QTY.	DESCRIPTION
1	34392.0000	1	Plug
2	12422.0001	5	Clamp .59/.66" ID
3	11630.0001	1	Clamp, Shut off
4	20976.0067*	1	Tube, Silicone .375" ID x 21.0" (Order item 23)
5	20976.0073*	1	Tube, Silicone .375" ID x 11.5" (Order item 23)
6	38948.0001	1	Tee .38" Barb
7	26135.0005	1	Valve, Water Inlet 120V
	01315.0005	2	Screw, Truss Head BLK #8-32 x .38"
	00938.0000	2	Fastener, U-type #8-32
8	28526.0000*	1	Tube, Silicone .313" ID x 11.5" (Order item 25)
9	12422.0006	1	Clamp .53/.59" ID
10	26661.0000	1	Tube, Water Inlet
11	11707.0012*	1	Tube, Silicone .25" ID x 23.0" (Order item 24)
12	21801.0002	1	Tube, SST .375" O.D. x 1.50"
13	28526.0029*	1	Tube, Silicone .313" I.D. x .50" (Order item 25)
14	00459.0000	1	Fitting, Bulkhead
15	01532.0000	1	Lockwasher, Internal tooth .438"
16	00463.0000	1	Nut, Hex .438"-20
17	21814.0016	1	Tube
18	23820.1000	1	Strainer Assy (Includes items 19 - 21)
19	23819.0000*	1	Body (Order item 18)
20	23721.0000	1	Screen
21	22249.0000	1	Cap, End
22	12919.0005	1	Cap (For shipping purposes only)
23	20976.1000	-	Tube, Silicone .375" ID x 12.0" (Use as required)
	20976.1001	-	Tube, Silicone .375" ID x 36.0" (Use as required)
	20976.1002	-	Tube, Silicone .375" ID x 120.0" (Use as required)
24	11707.1000	-	Tube, Silicone .25" ID x 12.0" (Use as required)
	11707.1001	-	Tube, Silicone .25" ID x 36.0" (Use as required)
	11707.1002	-	Tube, Silicone .25" ID x 120.0" (Use as required)
25	28526.1000	-	Tube, Silicone .313" ID x 12.0" (Use as required)
	28526.1001	-	Tube, Silicone .313" ID x 36.0" (Use as required)
	28526.1002	-	Tube, Silicone .313" ID x 60.0" (Use as required)
	28526.1003	-	Tube, Silicone .313" ID x 120.0" (Use as required)

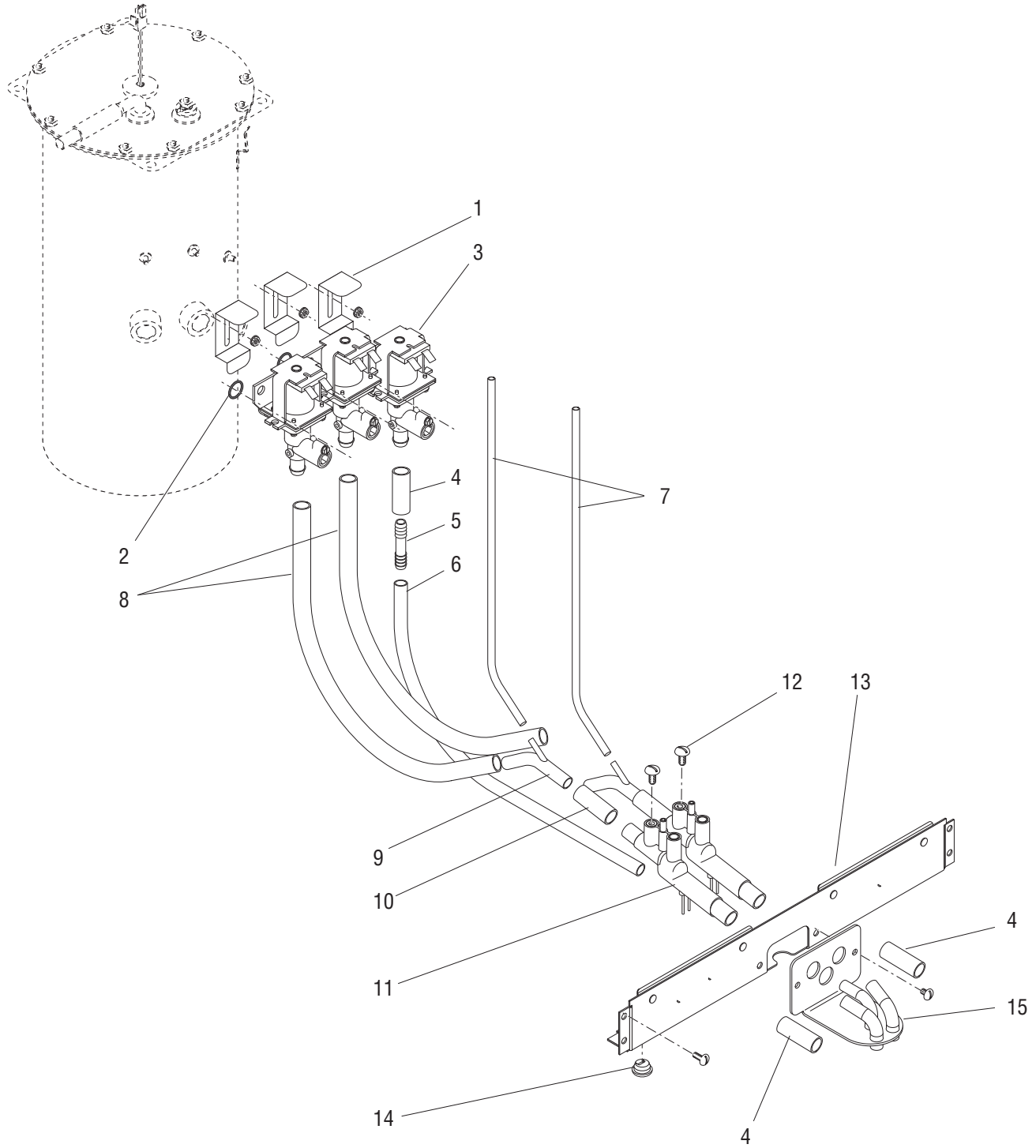
* Indicates the part number listed is for reference only. See DESCRIPTION for possible service replacement.



TANK ASSEMBLY

ITEM	PART NO.	QTY.	DESCRIPTION
-	37812.1000	1	Tank Assy 120V (Includes item 1 - 14)
	00970.0000	3	Nut, Keps #8-32
1	36934.0000	1	Insulation, Tank (Not illustrated)
2	36931.0000	1	Tank
3	02755.1000	1	Tank Heater 1425W, 120V (Includes item 4)
4	00943.0000	2	Gasket
5	00942.0000	2	Nut, Hex .50"-20
6	29329.1000	1	Limit Thermostat
7	04221.0000	1	Gasket, Tank Lid
8	28735.0000	1	Tank Lid
	00908.0000	8	Nut, Hex #8-32
9	02536.0000	1	Grommet
10	21801.0002	1	Tube, SST .375" O.D. x 1.50"
11	38969.0001	1	Fitting, Air Vent
12	07412.1002	1	Probe Kit, Liquid Level (Includes hardware below)
	00908.0000	1	Nut, Hex #8-32
	20203.0100	1	Lockwasher, Internal tooth #8
	01501.0000	1	Washer
13	33801.0001	1	Grommet
14	28891.1002	1	Probe, Temperature

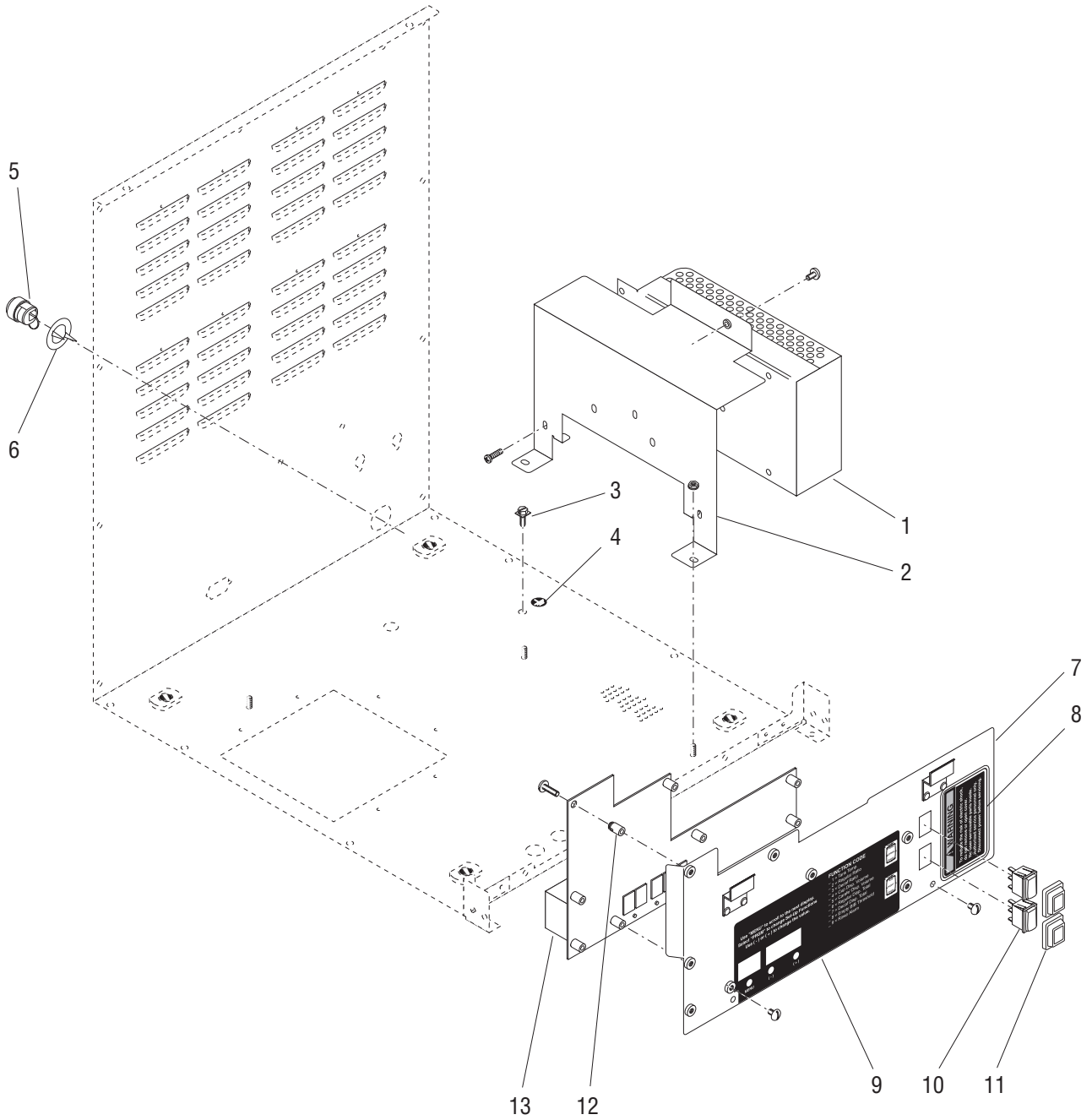
* Indicates the part number listed is for reference only. See DESCRIPTION for possible service replacement.



DISPENSE VALVE & MIXING CHAMBER

ITEM	PART NO.	QTY.	DESCRIPTION
1	29576.0000	3	Bracket, Valve Retaining
	00970.0000	3	Nut, Keps #8-32
2	24733.0011	3	O-ring
3	32345.1000	3	Valve, Dispense 120V
4	20976.0062*	3	Tube, Silicone .375" ID x 1.75" (Order item 16)
5	34644.0000	1	Connector
6	11707.0010*	1	Tube, Silicone .25" ID x 16.0" (Order item 17)
7	36630.0001*	2	Tube, Silicone .125" ID x 20.0" (Order item 18)
8	28526.0000*	2	Tube, Silicone .313" ID x 11.5" (Order item 19)
9	37858.0000	2	Elbow, 45°
10	20976.0072*	2	Tube, Silicone .375" ID x 1.5" (Order item 16)
11	37854.1000	2	Mixing Chamber Assy
12	01326.0000	2	Screw, Truss Head #10-32 x .25"
13	36947.0001	1	Bracket, Lower Cabinet
	01315.0005	4	Screw, Truss Head BLK #8-32 x .38"
14	04822.0000	1	Bushing, Strain Relief
15	37807.0000	1	Bracket, Dispense Nozzle
	01315.0000	2	Screw, Truss Head #8-32 x .375"
16	20976.1000	-	Tube, Silicone .375" ID x 12.0" (Use as required)
	20976.1001	-	Tube, Silicone .375" ID x 36.0" (Use as required)
	20976.1002	-	Tube, Silicone .375" ID x 120.0" (Use as required)
17	11707.1000	-	Tube, Silicone .25" ID x 12.0" (Use as required)
	11707.1001	-	Tube, Silicone .25" ID x 36.0" (Use as required)
	11707.1002	-	Tube, Silicone .25" ID x 120.0" (Use as required)
18	36630.1001	-	Tube, Silicone .125" ID x 36.0" (Use as required)
19	28526.1000	-	Tube, Silicone .313" ID x 12.0" (Use as required)
	28526.1001	-	Tube, Silicone .313" ID x 36.0" (Use as required)
	28526.1002	-	Tube, Silicone .313" ID x 60.0" (Use as required)
	28526.1003	-	Tube, Silicone .313" ID x 120.0" (Use as required)

* Indicates the part number listed is for reference only. See DESCRIPTION for possible service replacement.



ELECTRICAL COMPONENTS

ITEM	PART NO.	QTY.	DESCRIPTION
1	33363.0001	1	Power Supply Module
	24003.0201	3	Screw, Pan Head M3 x 4.0 mm
2	37851.0000	1	Bracket
	00970.0000	2	Nut, Keps #8-32
	01315.0005	1	Screw, Truss Head BLK #8-32 x .38"
3	01309.0000	1	Screw, Grounding 120V
4	00824.0000	1	Decal, Ground Screw
5	00713.0000	1	Bushing, Strain Relief 120V
6	00715.0000	1	Adapter Washer, Strain Relief 120V
7	38771.1000	1	Bracket w/Decals, Circuit Board Mounting (Includes items 8 & 9)
	01311.0000	2	Screw, Truss Head #8-32 x .25"
8	37881.0000	1	Decal, No Serviceable Parts
9	37911.0001	1	Decal, Main Circuit Board Panel
10	27437.0001	2	Switch
11	34390.0000	2	Cap, Rocker Switch
12	29081.0001	8	Spacer
13	38726.1000	1	Circuit Board, Main
	01390.0000	8	Screw, Round Head #8-32 x .62"

Items listed below are not illustrated

14	37775.0000	1	Wiring Harness, Main 120V
15	20630.0008	1	Power Cord 120V
16	39269.0000*	1	Wiring Harness, Fans 120V
17	39270.0000*	1	Wiring Harness, Temp. Sensors 120V

* Indicates the part number listed is for reference only. See DESCRIPTION for possible service replacement.

NUMERICAL INDEX

PART NO.	PAGE NO.	PART NO.	PAGE NO.	PART NO.	PAGE NO.	PART NO.	PAGE NO.
00459.0000	17	20976.0073	17	34387.0001	9	37851.0000	23
00463.0000	17	20976.1000	17,21	34390.0000	23	37854.1000	21
00603.0000	13	20976.1001	17,21	34392.0000	17	37858.0000	21
00617.0000	11	20976.1002	17,21	34472.0000	5	37881.0000	5,23
00656.0000	5	21436.0000	5	34536.0000	15	37911.0001	23
00671.0000	11	21717.0000	9	34644.0000	21	37916.0000	9
00713.0000	23	21801.0002	17,19	34666.0001	11	37921.0003	5
00715.0000	23	21814.0016	17	34667.0000	9	38047.1000	7
00824.0000	5,23	22249.0000	17	34713.0000	15	38044.0000	9,11
00908.0000	19	23721.0000	17	34726.1004	13	38072.0000	9
00938.0000	17	23819.0000	17	34765.0000	15	38185.1000	7
00942.0000	19	23820.1000	17	34803.1000	11	38226.1000	23
00943.0000	19	23918.0001	15	34997.0000	15	38771.1000	23
00970.0000	9,13,19,21,23	24003.0201	23	34998.0000	15	38792.0000	9
00986.0002	5	24733.0011	21	35883.0000	13	38794.1000	9
00991.0003	15	25151.0000	5	36149.0000	7	38795.0001	9
01309.0000	23	26135.0005	17	36398.0000	5	38797.0000	11
01311.0000	7,13,23	26528.0000	5	36630.0001	21	38799.0000	13
01311.0001	15	26661.0000	17	36630.1001	21	38802.0000	13
01315.0000	9,11,13,21	27437.0001	23	36928.0000	15	38804.0000	13
01315.0005	5,13,17,21,23	28526.0000	17,21	36931.0000	19	38806.0000	13
01326.0000	13,21	28526.0029	17	36934.0000	19	38807.0000	11
01331.0004	15	28526.1000	17,21	36937.0000	9	38808.0000	13
01360.0001	9	28526.1001	17,21	36938.0001	5	38809.0000	13
01382.0000	9,13	28526.1002	17,21	36939.0001	5	38810.0000	11
01384.0000	13	28526.1003	17,21	36941.0000	5	38811.0000	13
01390.0000	23	28735.0000	19	36944.0000	5	38822.0000	13
01501.0000	19	28891.1000	13	36945.1000	5	38948.0001	17
01512.0000	15	28891.1002	19	36947.0001	21	38969.0001	19
01522.0000	15	29081.0001	23	37280.0000	9	39269.0000	23
01526.0001	5	29329.1000	19	37438.0000	9	39270.0000	23
01532.0000	17	29504.0004	7	37440.1000	9		
02328.0003	15	29576.0000	21	37441.0001	9		
02336.0000	11,17	32280.0000	13	37442.0001	9		
02370.0001	11	32345.1000	21	37444.1001	9		
02536.0000	19	32609.0000	15	37446.0000	9		
02755.1000	19	32652.0000	15	37561.1000	9		
03996.0000	5	32654.0000	15	37578.0001	5		
04221.0000	19	32706.1000	15	37580.0000	15		
04822.0000	9,21	32734.0000	13	37585.0000	9		
07412.1002	19	32927.0000	15	37589.0001	5		
11630.0001	17	32928.0000	15	37590.0001	5		
11646.0002	9	32957.0000	15	37690.0000	9		
11707.0010	21	33295.0001	15	37708.0001	5		
11707.0012	17	33297.0001	13	37709.0000	5		
11707.1000	17,21	33358.0000	11	37710.0000	7		
11707.1001	17,21	33363.0001	23	37716.0001	5		
11707.1002	17,21	33608.1000	15	37775.0000	23		
12422.0001	17	33801.0001	19	37807.0000	21		
12422.0006	17	33825.0000	15	37812.1000	19		
12919.0005	17	34010.0000	11	37825.0000	9		
20203.0100	19	34118.0001	5	37826.0005	9		
20630.0008	23	34166.0000	15	37828.0000	9		
20976.0062	21	34167.0000	15	37829.1000	15		
20976.0067	17	34265.0000	13	37833.0001	9		
20976.0072	21	34387.0000	9	37846.1000	7		