



DATE:

26/03/2012

SPARE PARTS MANUAL

LB 4712

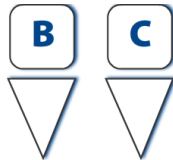


Tel. 0039.011.2398429

Fax 0039.011.23980466

technicalservice@lavazza.it

<http://ts.inlavazza.it>



TAV: 5 - BOILER ASSEMBLY

REF.	PART NO.	DESCRIPTION	NOTES	UDV
	10061827	SUPPORT FOR BOILER		5
	1006188	SCREW 3.5X15		
	1006189	TYRE BOILER 230V ASSY ALUMINIUM		
	1006190	PIPE 10 L=15M 60SR SILICONE		
	1006191	SELF-TAPPING 5X30		
	10061791	PIPE D=7,5X9,3 L=2 M SILICONE		
7	10061115	PROTECTION FOR SPRING		10
8	10061116	FITTING+PROTECTION ASSY L=185 MM		5
9	10061114	HOSE CLAMP D.11/11,6		10
10	10061113	THERMOSTAT 175° 1NT-15L-5126		20
11	10061118	SCREW 4X8		50

LB 2300 SINGLE CUP 230V 14

- A) MACHINE MODEL:** Machine model.
- B) TABLE NUMBER:** Table identification number.
- C) TABLE TITLE:** Descriptive title of the table.
- D) REFERENCE:** reference number of the single items shown in the drawing.
- E) PART NO.:** Identification number of the item.
- F) DESCRIPTION:** item description.
- G) NOTES:** Service information regarding the relevant item.
- H) UDV (Required minimum quantity):** The required minimum quantity for each part. When the order is directly sent to Luigi Lavazza S.p.A. the quantity ordered must be equal or a multiple of the one indicated in the UDV column.



Certificated n° IT09/0445

Edizione 26/03/2012
© Copyright LAVAZZA S.p.A.

ATTENTION

Only original spare parts must be used. The manufacturer declines any responsibility arising from the use of unoriginal spare parts.

ENVIRONMENT

The replacement part should be delivered to the appropriate collection centres for disposal.

SPARE PARTS INDEX

Pag. 4: CASE

Pag. 6: ELECTRIC CIRCUIT

Pag. 8: HYDRAULIC CIRCUIT

Pag. 12: POWER PUMP

Pag. 14: BOILER

Pag. 16: WATER VALVES / AUTOSTEAMER

Pag. 20: BREWING UNIT

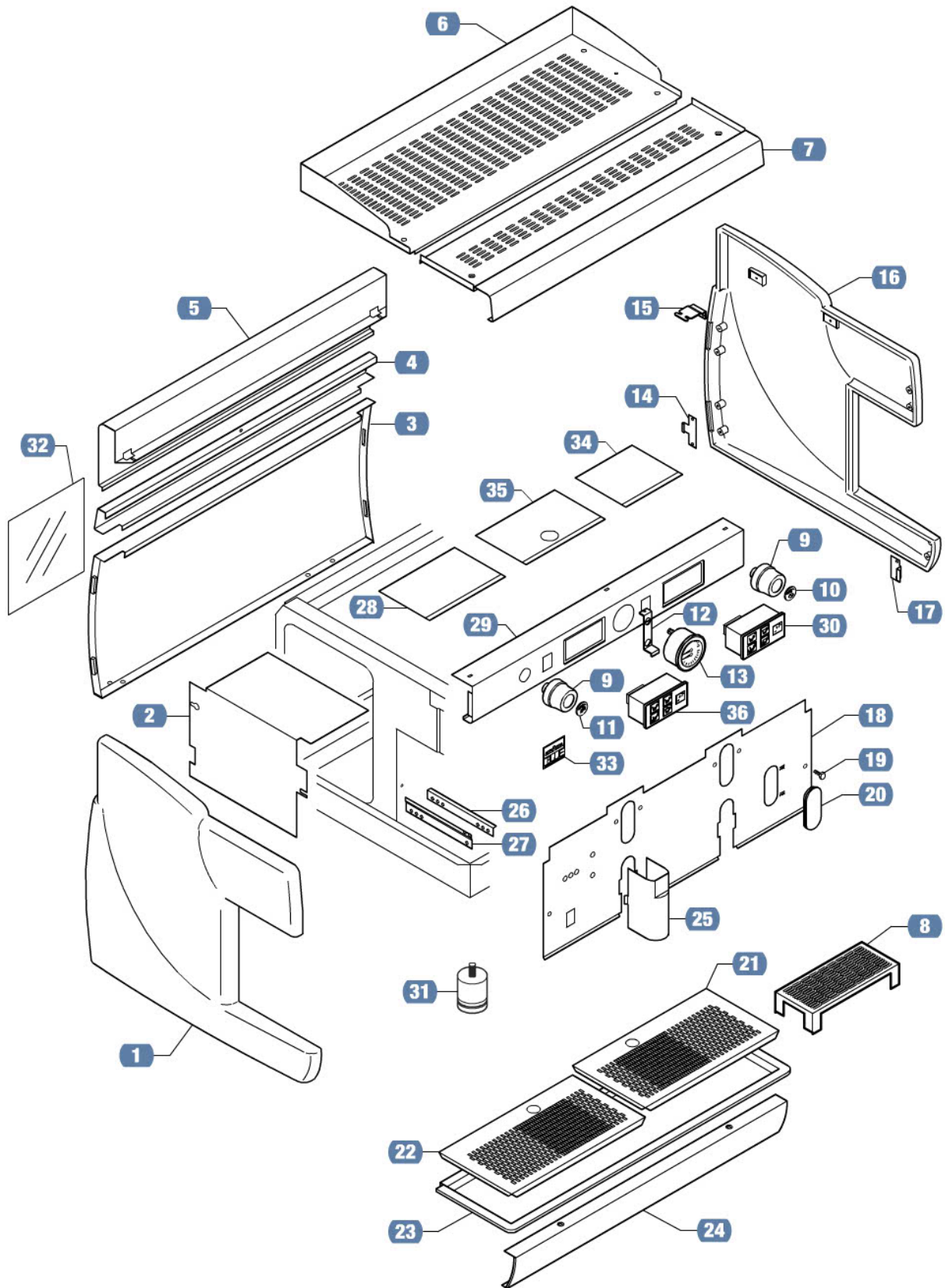
Pag. 22: FILTERS AND FILTER HOLDERS

Pag. 24: WATER CHARGE – WATER LEVEL

Pag. 26: ACCESSORIES

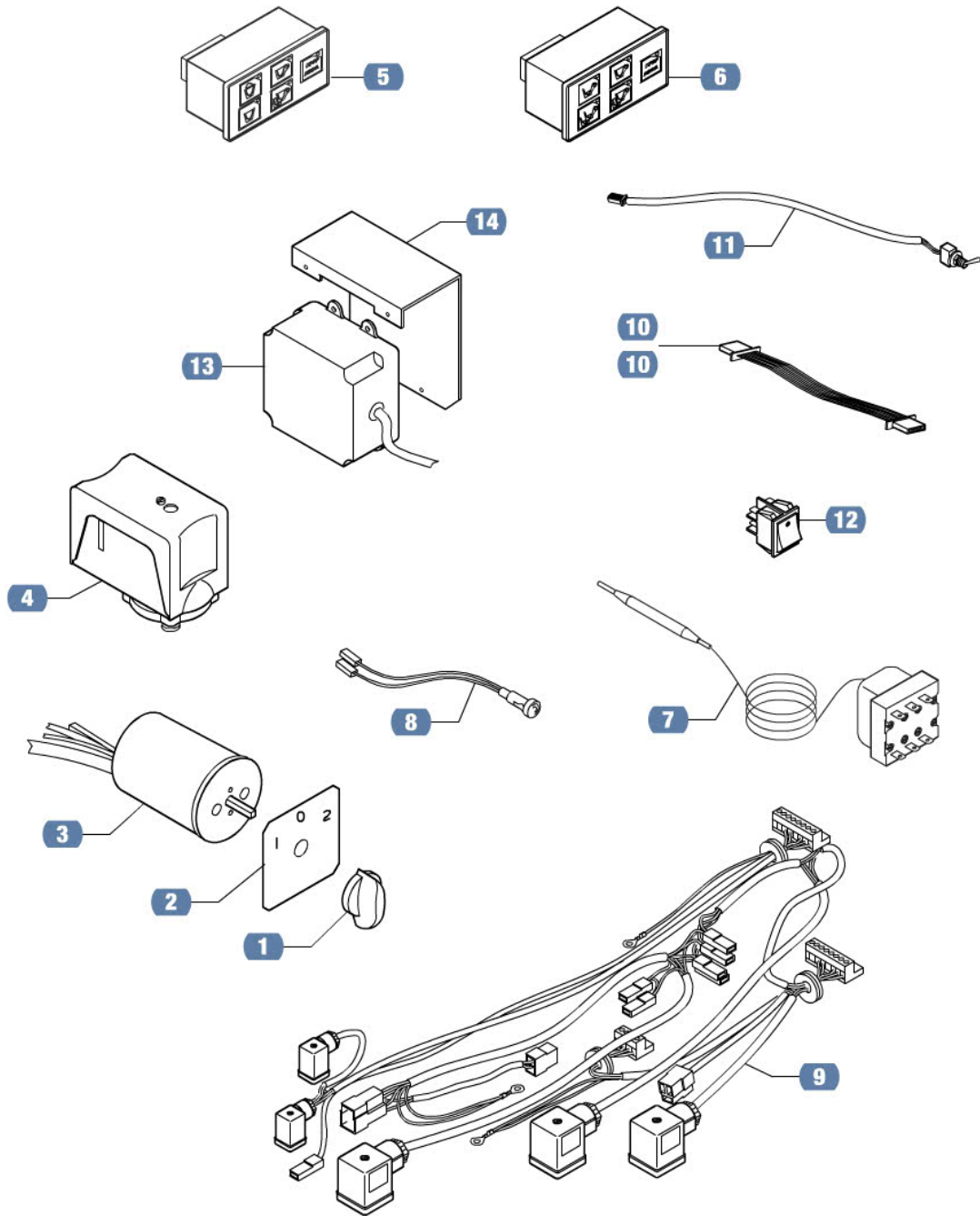
TAV: 1 - CASE

REF.	PART NO.	DESCRIPTION	NOTES	MOQ
1	10066144	SIDE PANEL LH GREY		1
2	10065857	SIDE PANEL PROTECTION		2
3	10066146	LOWER REAR PANEL 2 GR.		1
4	10066147	CENTRAL REAR PANEL 2 GR .		1
5	10066148	UPPER REAR PANEL 2 GR.		1
6	10066149	UPPER GRID 2GR SS		1
7	10066150	TOP COVER 2GR SS		1
8	10066520	GRID FOR CUP LIFTING		2
9	10066152	STEAM/WATER KNOB		10
10	10066153	STEAM ADHESIVE LABEL FOR HANDLE		10
11	10066154	WATER ADHESIVE LABEL FOR HANDLE		5
12	10066155	SUPPORT FOR PRESSURE GAUGE		2
13	10066156	ROUND PRESSURE GAUGE D.SCALE		1
14	10066157	REAR FASTENER		2
15	10066158	UPPER FASTENER		2
16	10066159	SIDE PANEL RH GREY		1
17	10066160	FRONT FASTENER		2
18	10066497	COVER FOR BOILER		1
19	10066162	SCREW M6X12		5
20	10066163	LEVEL INDICATOR		1
21	10066164	LOWER GRID RH		2
22	10066165	LOWER GRID LH		2
23	10066166	TRAY 2GR		1
24	10066167	FRONT BASE PROFILE W/O HOLES		1
25	10066420	COVER FOR SOLENOID VALVE		2
26	10066169	GUIDE RH-LH FOR TRAY		2
27	10066170	SPACER		2
28	10065856	CIRCUIT COVER LH 2GR		0
29	10066172	FRONT PANEL 2GR.		1
30	10066174	KEYBOARD 4 COFFEES		1
31	10066425	ADJUSTABLE FOOT SAT/SS H88/102		5
32	10066175	ADHESIVE LABEL "LAVAZZA BLUE"		5
33	10066176	ADHESIVE LABEL "LAVAZZA BLUE"		2
34	10066499	CIRCUIT COVER RH 2GR+55		1
35	10066498	CENTRAL COVER		1
36	10070842	KEYBOARD 5K SIRIA WITH AUTOSTEAMER		1



TAV: 2 - ELECTRIC CIRCUIT

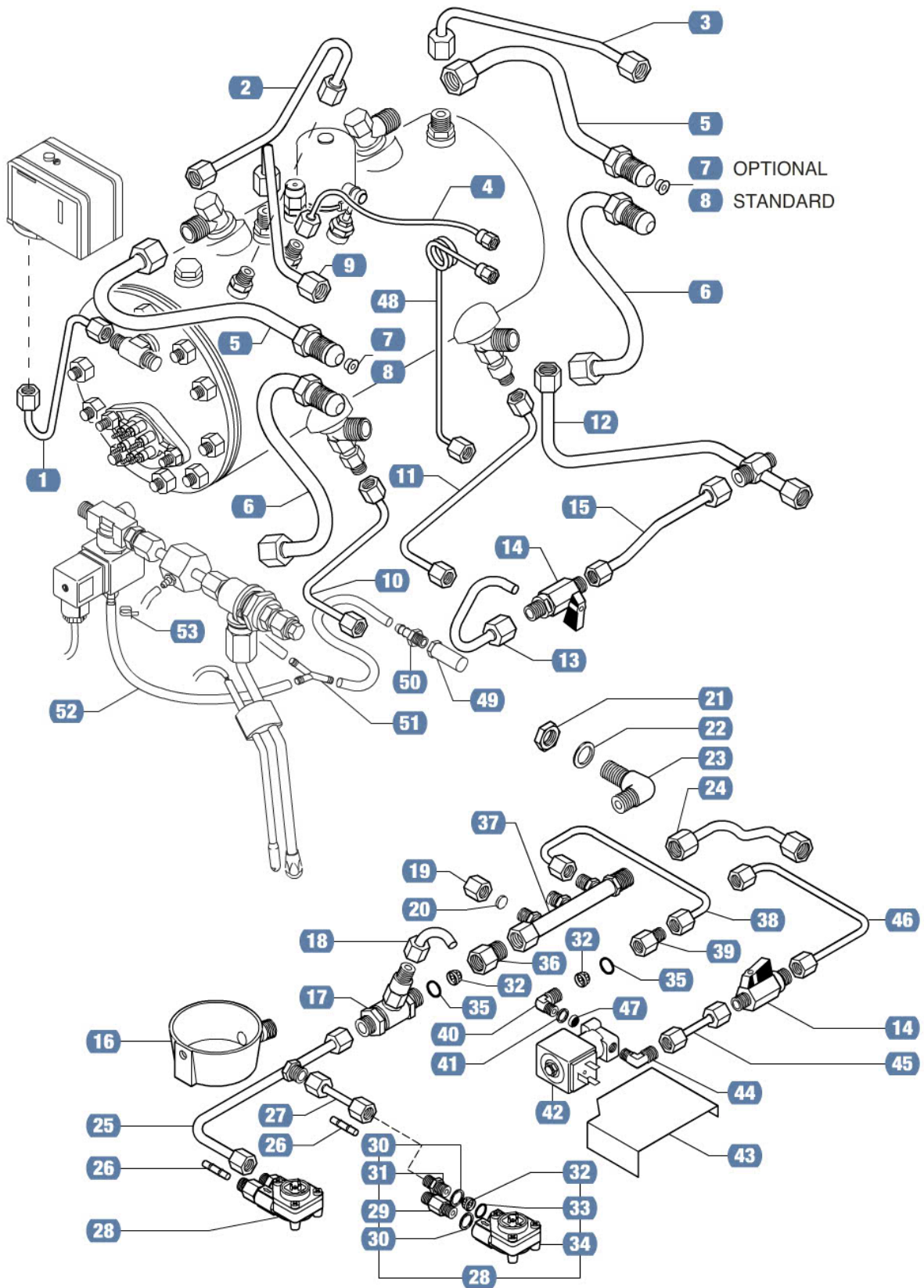
REF.	PART NO.	DESCRIPTION	NOTES	MOQ
1	10066200	BREWING UNIT		10
2	10066201	MAIN SWITCH KNOB		5
3	10066496	SELECTOR SWITCH		1
4	10066203	PRESSURE SWITCH SIRAI P302/6		2
5	10070842	KEYBOARD 5K SIRIA WITH AUTOSTEAMER		1
6	10066174	KEYBOARD 4 COFFEES		1
7	10066261	THERMOSTAT EGO UL 169°C		1
8	10066521	PILOT LIGHT 250V		2
9	10071198	WIRING EVD/2+A/STEAM		0
10	10066210	CABLE 10 CORES FOR KEYBOARD 80CM		5
10	10066211	CABLE 10 CORES FOR KEYBOARD 140CM		2
11	10066212	LEVER SWITCH FOR PROGRAMS		5
12	10066208	BIP.SWITCH - RED LED		10
13	10070846	CONTROL UNIT AUTOSTEAMER 230V		1
14	10066207	SUPPORT FOR CONTROL UNIT RL3		2



TAV: 3 - HYDRAULIC CIRCUIT

REF.	PART NO.	DESCRIPTION	NOTES	MOQ
1	10066214	PIPE D.6 L.240		1
2	10071199	WELDED PIPE D.8 L=210		0
3	10066216	WELDED PIPE D.10 L=300		1
4	10066217	WELDED PIPE D.4 L=310		1
5	10066218	PIPE D.12 L=295		1
6	10066542	WELDED PIPE D.12 L=300		1
7	10066558	THROTTLING ELEMENT		10
8	10066534	THROTTLING ELEMENT		1
9	10065854	WELDED PIPE D.8 L=330		0
10	10066221	WELDED PIPE D.6 L=260		1
11	10066222	WELDED PIPE D.6 L=340		1
12	10066223	PIPE D.10 L=320		1
13	10066224	PIPE D.8 L=100		1
14	10066225	SHUT-OFF VALVE		5
15	10066226	PIPE D.8 L=135 DV 16/A		1
16	10066227	DRAIN CUP D.80		5
17	10066557	ADJUSTABLE VALVE S.C.N.R.		2
18	10066229	PIPE D.6 L=50 3 W169		5
19	10066230	CAP 1/4 GAS FEMALE		5
20	10066231	GASKET KLINGERSIL4400		20
21	10066232	LOCK NUT 3/8		10
22	10066233	WASHER BRASS 3/8		50
23	10066523	FITTING - L-SHAPED 3/8 GASX3/8 GAS L.30		2
24	10066550	WELDED PIPE D.8 L=150		1
25	10066236	WELDED PIPE D.8 L=205		1
26	10066237	NOZZLE D.0,5		5
27	10066238	WELDED PIPE D.6 L=55		1
28	10066461	FLOWMETER ASSY		1
29	10066528	FITTING 1/4X1/4		20
30	10066134	GASKET 1/4 17X13.3X1.5 COPPER		20
31	10066391	FITTING 1/4X1/4 W/FLANGE		5
32	10066243	FILTER STEEL		10
33	10066244	O-RING 2031		10
34	10066245	FLOWMETER		1
35	10066246	O-RING FOR FILTER		20
36	10066529	FITTING 3/8MX3/8F + FILTER SEAT		15
37	10066466	DISPENSING BLOCK ASSY 2-3-4GR		2
38	10066249	WELDED PIPE D.6 L=255		1

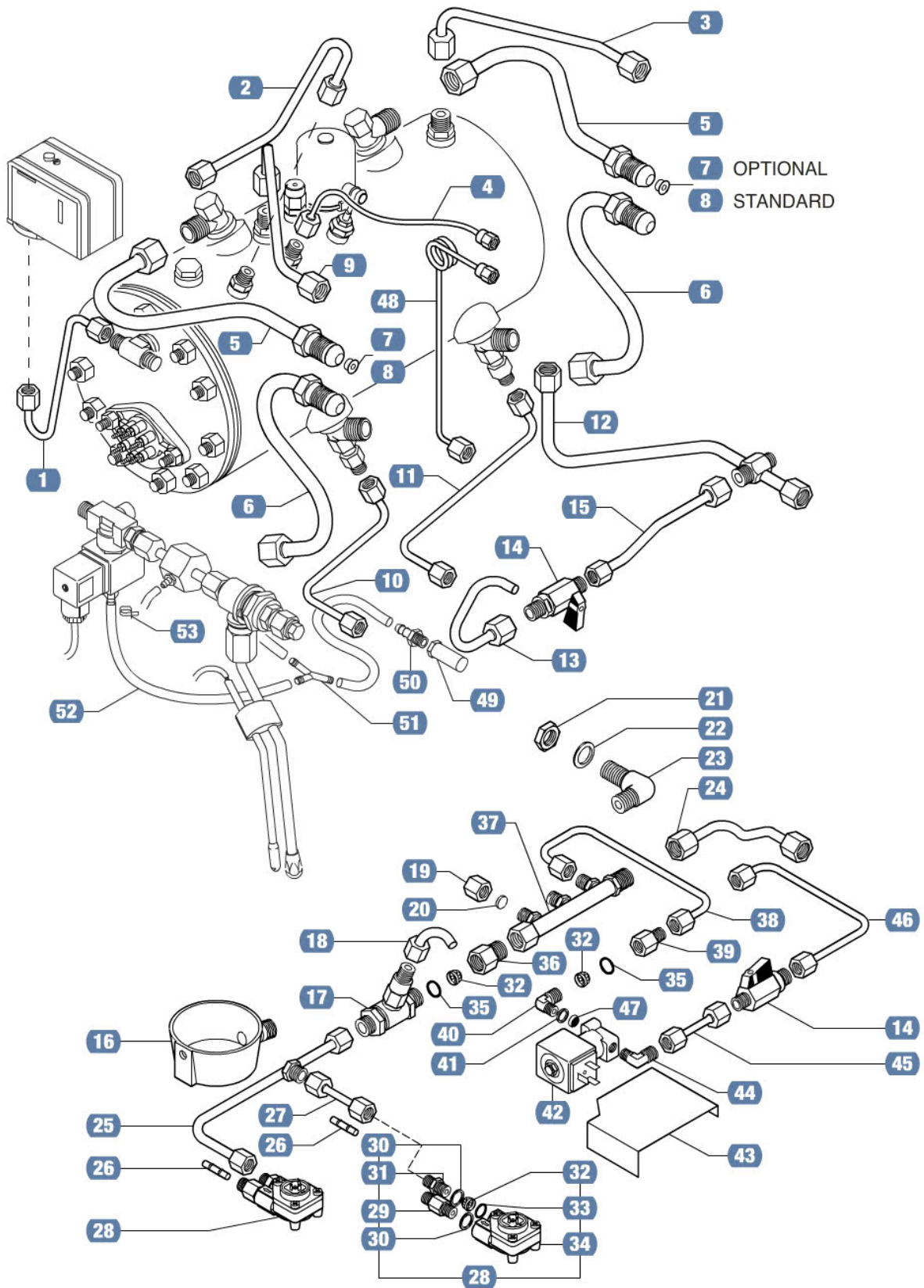
TAV: 3 - HYDRAULIC CIRCUIT



TAV: 3 - HYDRAULIC CIRCUIT

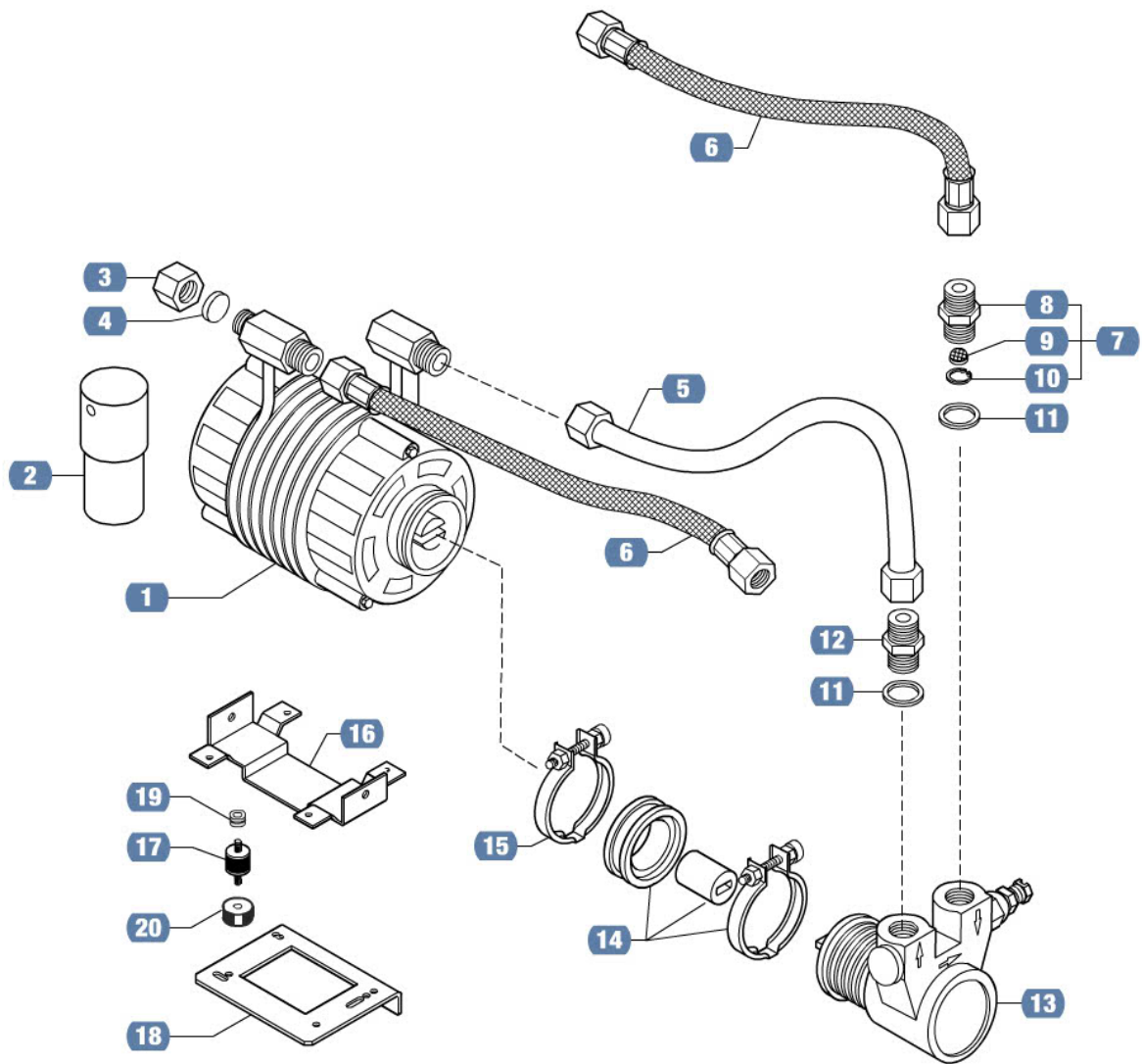
REF.	PART NO.	DESCRIPTION	NOTES	MOQ
39	10066531	FITTING FOR FILTER		20
40	10066524	FITTING - L-SHAPED D.10 3/8X1/8		10
41	10066252	GASKET 8.5X5X1 COPPER		20
42	10066516	SOLENOID VALVE 230V		1
43	10066254	COVER FOR SOLENOID VALVE		2
44	10066444	FITTING - L-SHAPED D6,2 1/4X1/8		1
45	10066548	WELDED PIPE D.6 L=50		1
46	10066552	PIPE D.6 L=230		1
47	10066258	FILTER STEEL D-8 TH.0,3		10
48	10066544	WELDED PIPE D.4 L=730		1
49	10064580	NUT FOR WATER BREAK NOZZLE 14X27		5
50	10064581	FITTING FOR PIPE		10
51	10065893	FITTING - Y-SHAPED D.10		15
52	10066363	PIPE D.5X8 SILICONE		1
53	10065891	SPRING CLAMP		10

TAV: 3 - HYDRAULIC CIRCUIT



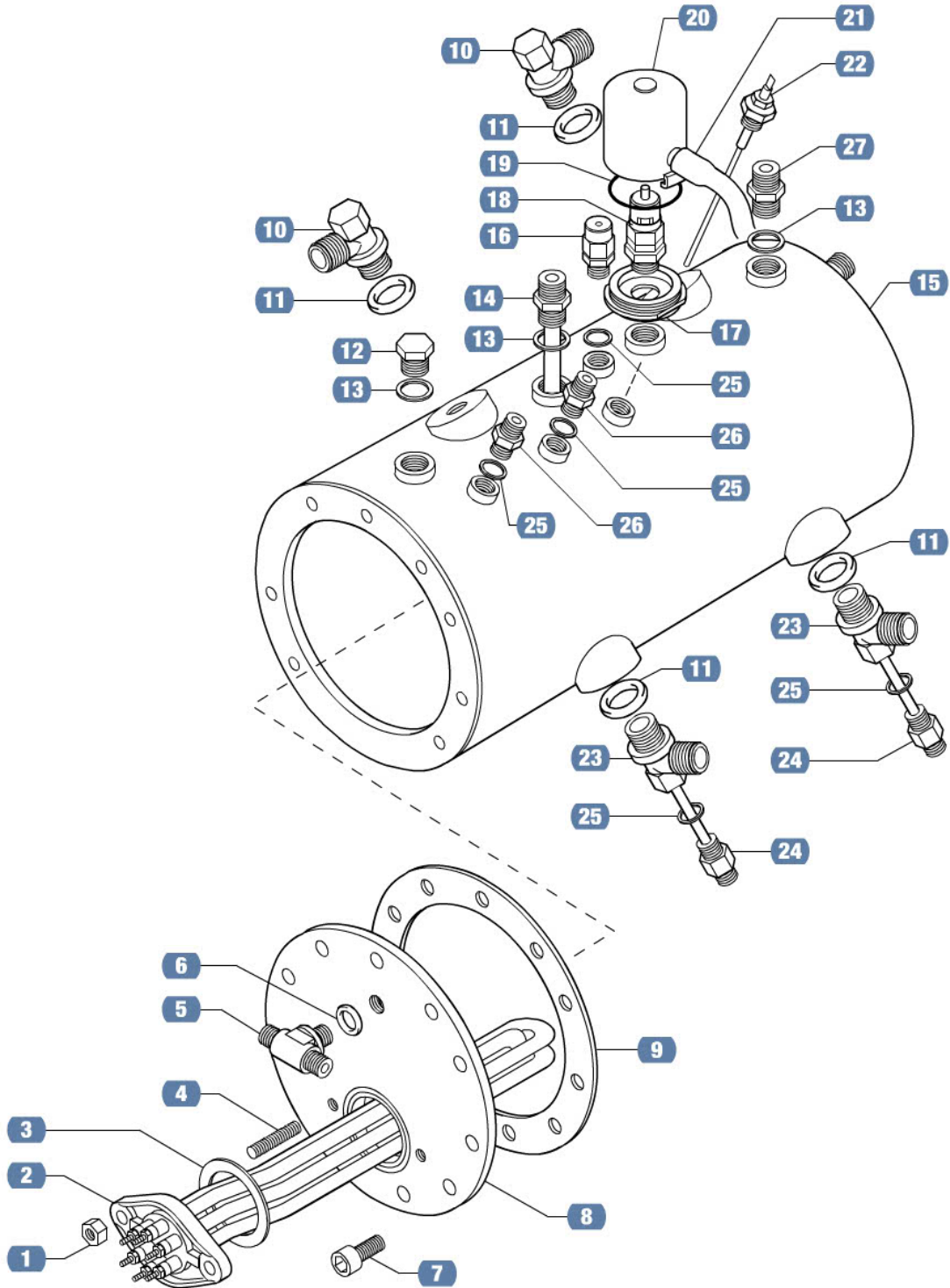
TAV: 4 - POWER PUMP

REF.	PART NO.	DESCRIPTION	NOTES	MOQ
1	10066259	MOTOR RPM NI 230V 50/60 ASSY		1
2	10066260	MOTOR CAPACITOR 230V 7UF		5
3	10066230	CAP 1/4 GAS FEMALE		5
4	10066231	GASKET KLINGERSIL4400		20
5	10066545	WELDED PIPE D.6 L=200		1
6	10066264	PIPE FLEX D.3/8 FF W/CONN.FITTINGS		5
7	10066502	FITTING 3/8+3/8 ASSY		10
8	10066501	FITTING 3/8X3/8+FILTER SEAT		20
9	10066243	FILTER STEEL		10
10	10066268	RETAINING RING SS		10
11	10066122	GASKET 3/8 22X17X1.5 COPPER		20
12	10066530	FITTING 3/8X3/8 GAS		5
13	10066271	PUMP PROCON CO 51509BLF		1
14	10066272	KIT DECOUPLING MOTOR-PUMP		2
15	10066273	CLAMPING COLLAR MOTOR-PUMP		5
16	10066351	MOTOR SUPPORT RPM		5
17	10066274	SHOCK ABSORBER FOR MOTOR		2
18	10066350	MOTOR FRAME SUPPORT		5
19	10066491	CABLE CLAMP		10
20	10066314	GASKET 15X4X4 HNBR		20



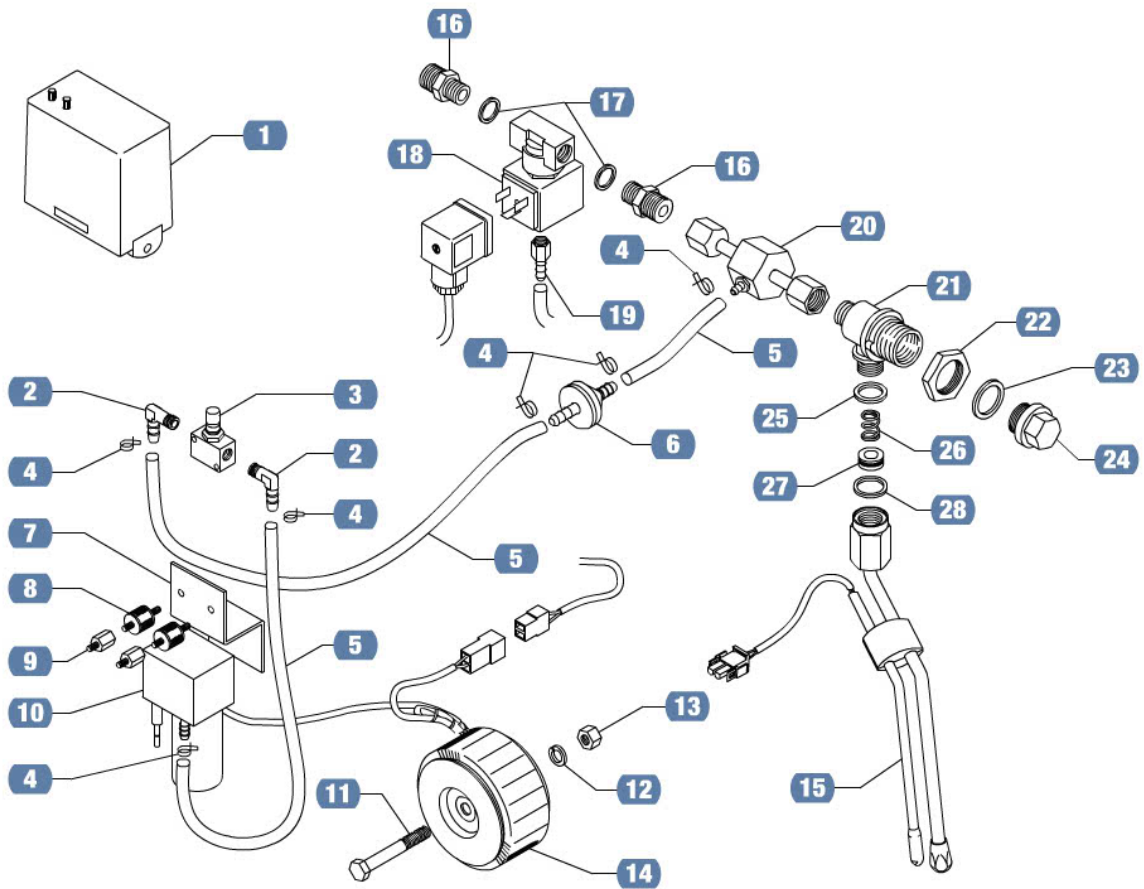
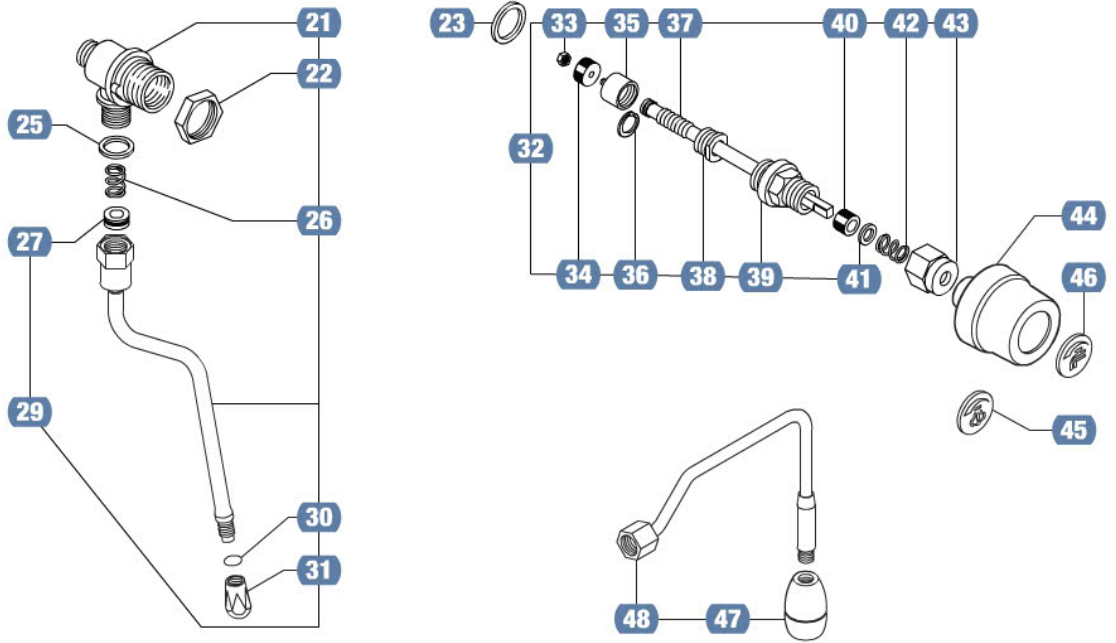
TAV: 5 - BOILER

REF.	PART NO.	DESCRIPTION	NOTES	MOQ
1	10066108	NUT M8		10
2	10087977	HEATING ELEMENT230/240V 3400/3700W		2
3	10066110	GASKET PTFE 58X43X2		20
4	10066111	STUD BOLT 8X30		5
5	10066525	FITTING - T-SHAPED 1/4X1/4X1/4		5
6	10066113	GASKET 1/4 18.7X13.2X2.5 COPPER		20
7	10066116	SCREW ALLEN 10X20		50
8	10066518	FLANGE W/O HOLES		1
9	10066118	GASKET PTFE FOR BOILER		1
10	10066526	FITTING - L-SHAPED 1/2		2
11	10066120	GASKET 1/2 GAS COPPER		20
12	10066535	CAP 3/8 MALE		5
13	10066122	GASKET 3/8 22X17X1.5 COPPER		20
14	10066538	WELDED PIPE D.10 L=115		1
15	10066486	BOILER 2GR ER WEGA SC-60 NI		1
16	10066400	ONE WAY VALVE		5
17	10066126	FLANGE FOR SAFETY VALVE -GRIGOLY		10
18	10066556	SAFETY VALVE		5
19	10066128	O-RING 3156		20
20	10066129	SAFETY VALVE PROTECTION ASSY		2
21	10066130	PIPE D.8X11 L=70 CM SILICONE		5
22	10066131	LEVEL PROBE		2
23	10066527	FITTING - T-SHAPED 1/2		3
24	10066554	PIPE D.6 L=85		2
25	10066134	GASKET 1/4 17X13.3X1.5 COPPER		20
26	10066391	FITTING 1/4X1/4 W/FLANGE		5
27	10066530	FITTING 3/8X3/8 GAS		5



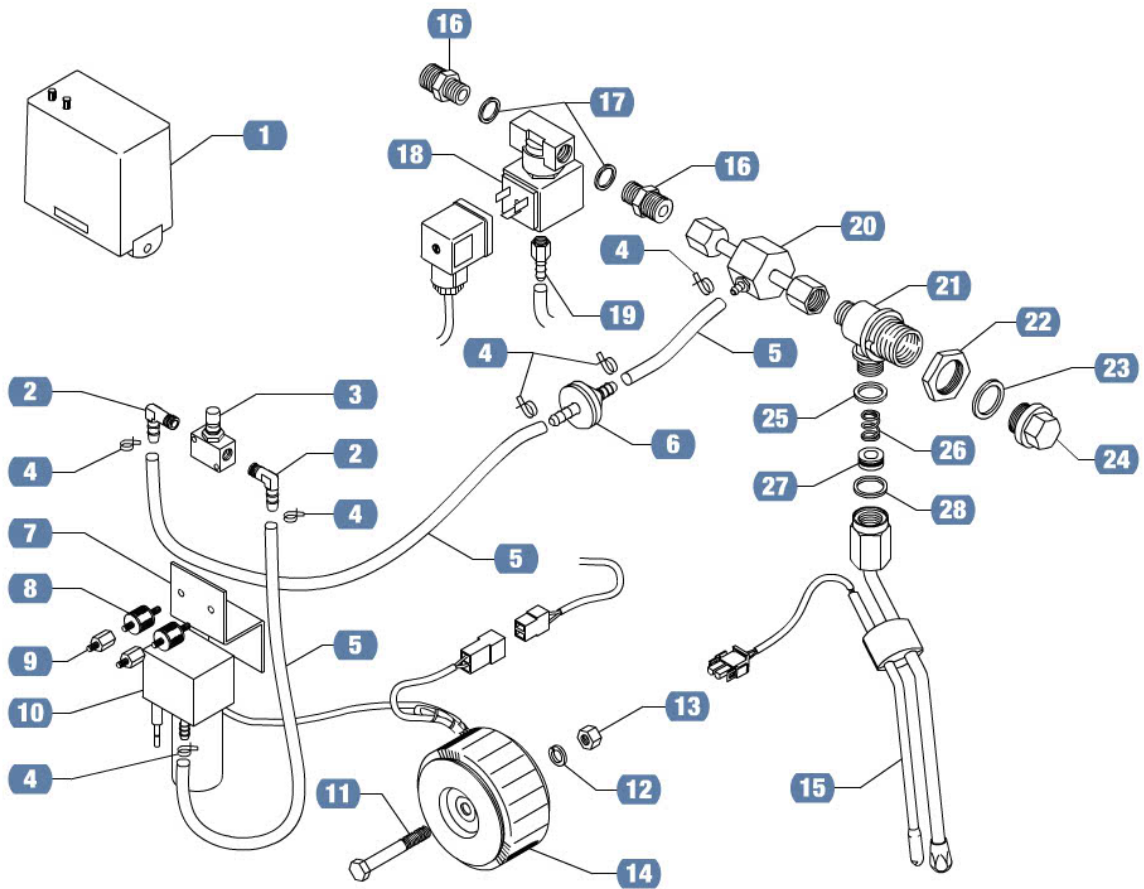
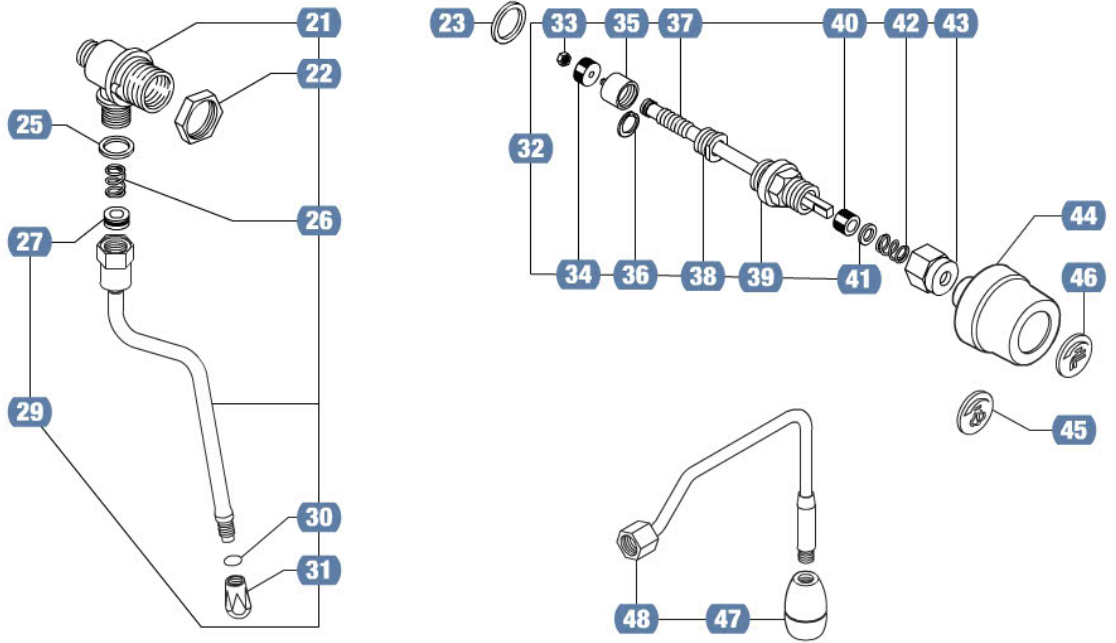
TAV: 6 - WATER VALVES / AUTOSTEAMER

REF.	PART NO.	DESCRIPTION	NOTES	MOQ
1	10064570	CONTROL UNIT DOUBLE CTRL PUMP&GEARS		1
2	10065925	FITTING - L-SHAPED 1/8 CONICAL+HOSE CON.		10
3	10064590	AIR REGULATOR		1
4	10064565	SPRING CLAMP D.7,8-8,3		50
5	10064567	PIPE 3X7 SILICONE		10
6	10064576	ONE WAY VALVE -PLASTIC		1
7	10064630	AIR PUMP SUPPORT AUTOSTEAMER '08		2
8	10066274	SHOCK ABSORBER FOR MOTOR		2
9	10064585	SPACER		25
10	10064589	MICRO-PUMP NMP 830 KNDC 24VDC		1
11	10064584	SCREW ALLEN 5X35		50
12	10064583	WASHER SS GROVER D5		50
13	10064579	NUT M5		50
14	10064575	TRANSFORMER 20VA 2X12V		1
15	10064587	KIT AUTOSTEAMER W/O REG. LAVAZZA 1GR		5
16	10066391	FITTING 1/4X1/4 W/FLANGE		5
17	10066134	GASKET 1/4 17X13.3X1.5 COPPER		20
18	10064573	3 WAY SOLENOID VALVE 1/4 D-3,2 120V		1
19	10065840	FITTING – STRAIGHT 1/8F+HOSE CON. D-7		1
20	10064586	INTERFACE SV STEAM-BODY VALVE		1
21	10066515	VALVE BODY		1
22	10066311	NUT M26X1.5		10
23	10066319	GASKET 26X20.5X2 COPPER		20
24	10064593	CAP FOR VALVE BODY		5
25	10066309	GASKET 21X17X2 PTFE		10
26	10066308	SPRING		50
27	10066307	O-RING W/SPRING BEZEL		20
28	10064566	WASHER - PTFE		20
29	10066555	STEAM PIPE D.8 STAINLESS STEEL		2
30	10066306	O-RING 6X1 SILICONE		20
31	10066305	STEAM NOZZLE SS		2
32	10087978	WATER/STEAM VALVE ASSY		2
33	10066269	NUT M3		2
34	10066314	GASKET 15X4X4 HNBR		20
35	10066522	VALVE PISTON		5
36	10066317	RETAINING RING D6 SS		100
37	10066316	VALVE ROD		2
38	10066519	RING NUT FOR VALVE		5



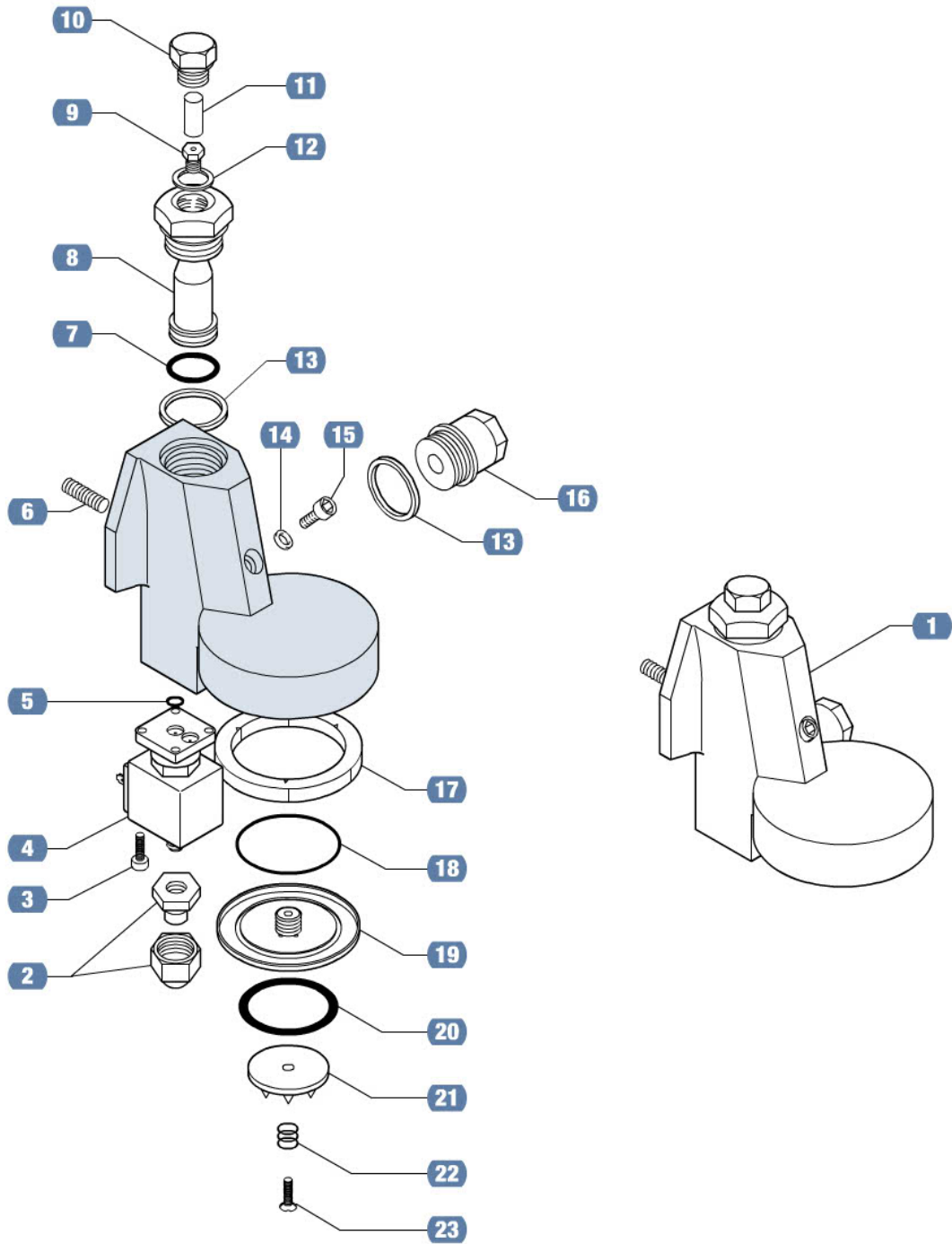
TAV: 6 - WATER VALVES / AUTOSTEAMER

REF.	PART NO.	DESCRIPTION	NOTES	MOQ
39	10066533	VALVE FITTING SP.PARTS FROM 25678001		5
40	10066321	RUBBER GASKET FOR WATER/STEAM VALVE		10
41	10066323	WASHER		10
42	10066324	SPRING FOR WATER/STEAM VALVE		20
43	10066620	GLAND BOLT NUT FOR VALVE		2
44	10066152	STEAM/WATER KNOB		10
45	10066153	STEAM ADHESIVE LABEL FOR HANDLE		10
46	10066154	WATER ADHESIVE LABEL FOR HANDLE		5
47	10066301	WATER NOZZLE		2
48	10066300	WATER PIPE ASSY		1



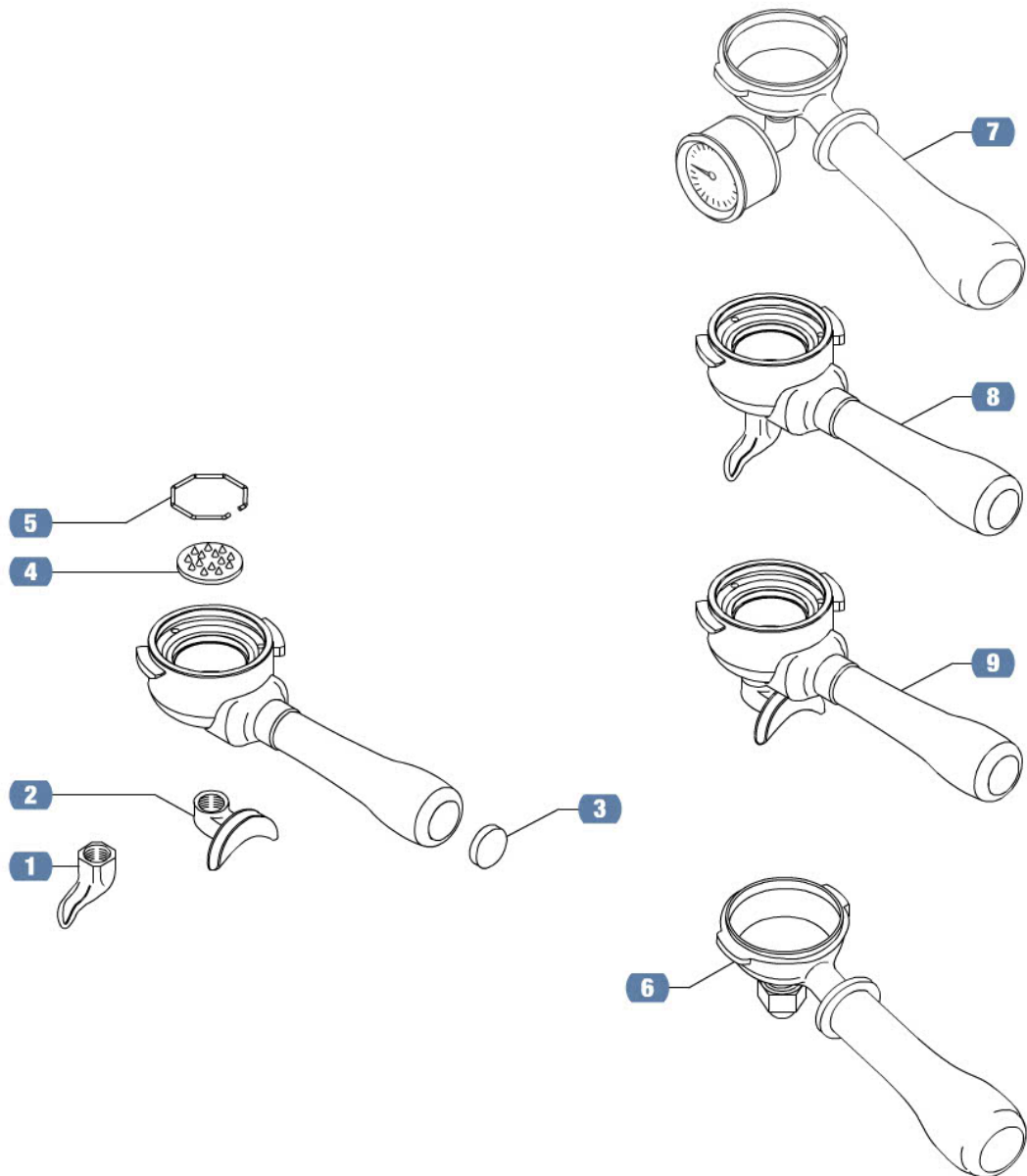
TAV: 7 - BREWING UNIT

REF.	PART NO.	DESCRIPTION	NOTES	MOQ
1	10066428	BREWING UNIT WEGA-LAVAZZA NI		1
2	10066178	NUT FOR WATER BREAK NOZZLE		10
3	10066179	SCREW ALLEN 4X16		50
4	10066517	SOLENOID VALVE 230V FOR BREWER		1
5	10066181	O-RING		50
6	10066182	STUD BOLT 8X26		50
7	10066183	O-RING 125		20
8	10066184	MUSHROOM FITTING UNIT		5
9	10066185	NOZZLE D 0.7 FOR BREWER		20
10	10066186	CAP FOR NOZZLE		10
11	10066187	NOZZLE FILTER		10
12	10066188	GASKET PTFE FOR CAP		10
13	10066189	GASKET PTFE		20
14	10066190	GASKET COPPER		20
15	10066191	SCREW ALLEN 6X8		50
16	10066192	CAP FOR BREW UNIT		5
17	10066139	GASKET		20
18	10066195	O-RING 2150 VITON		20
19	10066427	RING FOR UPPER PERFORATOR		5
20	10066193	O-RING 4150		20
21	10066196	UPPER CAPSULE PERFORATOR		1
22	10066197	SPRING		5
23	10066198	SCREW M5X10		50



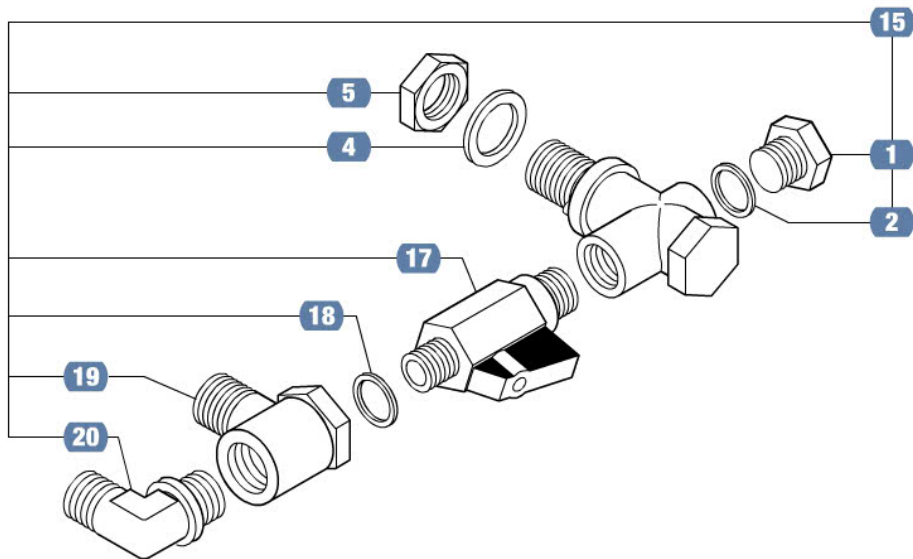
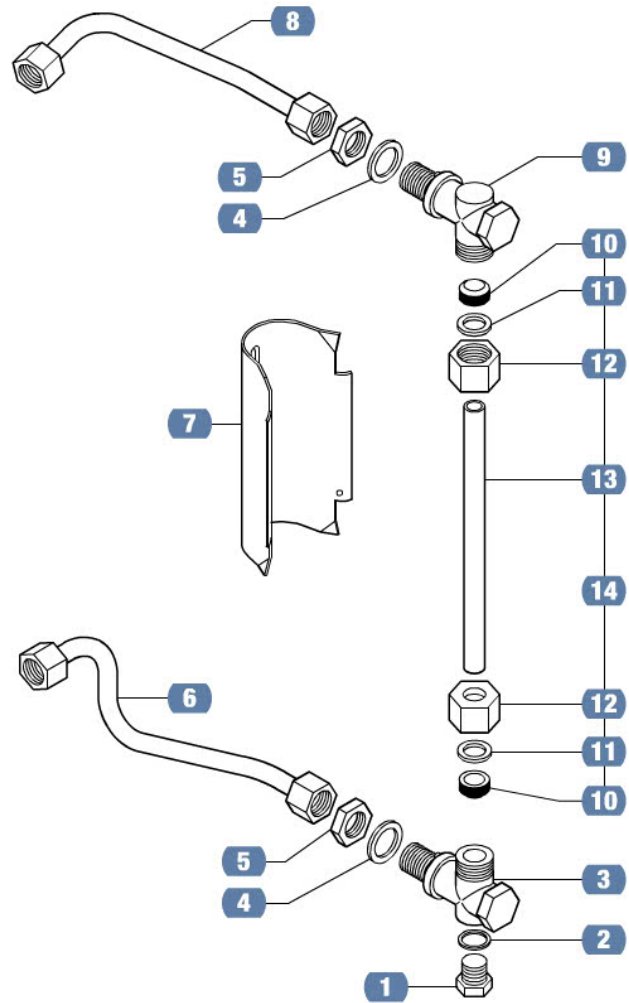
TAV: 8 - FILTERS AND FILETER HOLDERS

REF.	PART NO.	DESCRIPTION	NOTES	MOQ
1	10066291	1 CUP SPOUT		5
2	10066290	2 CUP SPOUT		5
3	10066275	CAP FOR FILTER-HOLDER HANDLE		10
4	10060281	CAPSULE PERFORATOR - PEEK		10
5	10065879	SPRING -OCTAGON		5
6	10065970	FILTER HOLDER BLIND		2
7	10065969	FILTER HOLDER W/PRESSURE GAUGE		1
8	10065868	FIXED FILTER-HOLDER 1 CUP SPOUT		1
9	10065869	FIXED FILTER-HOLDER 2 CUP SPOUTS		1



TAV: 9 - WATER CHARGE – WATER LEVEL

REF.	PART NO.	DESCRIPTION	NOTES	MOQ
1	10066536	CAP 1/4 MALE		5
2	10066134	GASKET 1/4 17X13.3X1.5 COPPER		20
3	10066459	LOWER BODY IND.LEVEL ASSY		2
4	10066233	WASHER BRASS 3/8		50
5	10066232	LOCK NUT 3/8		10
6	10066537	WELDED PIPE D.10 L=110		1
7	10066343	COVER FOR LEVEL IND.		2
8	10066539	WELDED PIPE D.10 L=185		1
9	10066514	UPPER BODY IND.LEVEL		3
10	10066352	GASKET RUBBER		20
11	10066338	WASHER - BRASS D17.8		20
12	10066337	NUT M20X1.5		10
13	10066336	PIPE 11X8X170 PIREX GLASS		5
14	10066293	LEVEL PIPE ASSY		1
15	10064594	RETAINER FOR PUMP ORION 99		5
17	10066225	SHUT-OFF VALVE		5
18	10066113	GASKET 1/4 18.7X13.2X2.5 COPPER		20
19	10066532	FITTING 3/8FX3/8MX1/4F		2
20	10066399	FITTING - L-SHAPED 3/8		5



TAV: 10 - ACCESSORIES

REF.	PART NO.	DESCRIPTION	NOTES	MOQ
1	10066507	PRESSURE REDUCER DN3/8		1
2	10066508	GRID MOPLEN		10
2	10066509	GRID MOPLEN		10
3	10066356	BRUSH WITH SHORT NYLON BRISTLES		2
4	10066354	BRUSH FOR CAPPUCCINATORE		10
5	10066360	PULY CAF JAR OF 900GR		4
6	10066357	PULY MILK PLUS		4
7	10066368	PIPE FLEXD. 3/8 FF W/CONN.FITTINGS		1
8	10066364	PIPE D.16 CAVOFLEX		5

