



LB 2312 DOUBLE CUP 120V STEAM

SPARE PARTS HANDBOOK



MANUAL CODE 10062247 / REL. 1.00 / JANUARY 2010



**LB 2312 DOUBLE CUP
120 V STEAM**

Machine code
10080632

Manual code
10062247

Rel. 1.00
Edition 01/2010
© Copyright LAVAZZA S.p.A.



Tel. 0039.011.2398429
Fax 0039.011.23980466
technicalservice@lavazza.it



SINCERT

Certificated n° IT09/0445



ATTENTION

Use only original spare parts. The manufacturer is not responsible for damage derived from the use of not original spare parts.



ENVIRONMENT

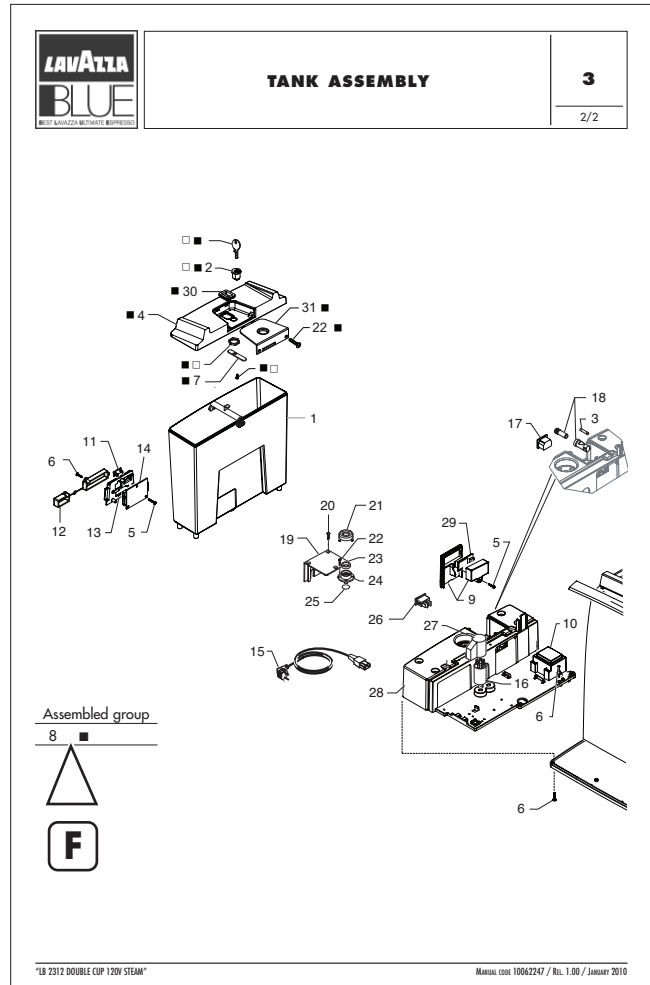
The replaced components should be delivered to an appropriate collection centre to their disposal.

READING GUIDE

REF.	PART NO.	DESCRIPTION	UDV	NOTES
1	10062329	WATER TANK V2 LAV.V2 NSF GREY	1	
2	10062367	DOOR LOCK	5	(■) (□)
3	10061214	FUSE FUSIT "F-GSA 1.56.3X32"	10	
4	10062331	WATER TANK COVER W/LOCK SEAT LAV.SILVER	5	(■)
5	10062359	SCREW TCB TORX 1.0 3X8 PLAST.ZN-B	50	
6	10062360	SCREW TCB TORX 1.0 3X12 PLAST.ZN-B	50	
7	10061024	PLATE FOR COVER LOCK	10	(■)
8	10062330	ASSY WATER TANK COVER W/LOCK SEAT SILV.	1	(■) ASSEMBLED
9	10062338	SUPP.F.WATER LEVEL SENS.LAV.V2 UL BLACK	5	
10	10061280	TRANSFORMER P.M.A.LAVAZZA 120V-180V	5	
11	10062284	PLATE FOR INFRARED SENSOR P0049 TRASPARENT	10	
12	10062336	SUPP.COVER FOR COMM.EL.CARD OCS UL BL.	5	
13	10062335	SUPP.FOR COMMUNIC.EL.CARD OCS UL BLACK	5	
14	10062312	COMMUNICATION BOARD OCS	1	
15	10061212	POWER CORD USA L=2000	10	
16	10062344	NOISE FILTER 1.6A	10	
17	10062345	CONNECTOR W/BEVELS EN 60320 C 1.3	10	
18	10061040	FUSE HOLDER ARCOLECTRIC FH-C 0.345 RD	5	
19	10062339	OUTLET IEC COVER LAV.UL METAL GREY.	5	
20	10062357	SCREW PT KC 3.5X1.2 WN 1.453 SS A2	50	
21	10061032	SEAL COVER GREY	10	
22	10062347	SCREW TSP TORX 1.0 3X10 PLAST.INOX	50	(■)
23	10061034	GASKET GACO DIM 1.4 FOR WATER TANK VALVE	10	
24	10061035	GASKET GREY FOR VALVE GASKET	10	
25	10061036	METRIC O-RING 0080-20 IN EPDM BLACK	50	
26	10061020	BIPOLAR SWITCH FUSIT "C1250AP"	5	
27	10061236	CAP FOR NOISE FILTER	5	
28	10062337	WATER TANK SUPPORT LAV.V2 UL METAL GREY	2	
29	10062283	BOARD OF WATER LEV.CAPAC. SENSOR P124	5	
30	10061282	SEAL FOR WATER TANK COVER LAV.BLACK	20	(■)
31	10062332	COVER LOCK INS.OF WATER TANK LAV.SILVER	5	(■)

"LB 2312 DOUBLE CUP 120V STEAM"

Manual code 10062247 / Rel. 1.00 / January 2010



"LB 2312 DOUBLE CUP 120V STEAM"

Manual code 10062247 / Rel. 1.00 / January 2010

- A) REFERENCE:** The reference number for each individual part represented in the drawing. Where the same number covers more than one code, refer to the notes for more details.
- B) PART NO.:** The code for each individual part
- C) DESCRIPTION:** The name of the individual parts
- D) UDV (Required minimum quantity):** It indicates the required minimum quantity for each part. When the order is directly sent to Luigi Lavazza S.p.A. the quantity ordered must be equal or a multiple of the one indicated in the UDV column.
- E) NOTES:** Further details regarding the individual parts
- Assembled (●)** = Part only supplied already assembled with other parts bearing the same symbol.
- (○)** = Part included in the assembled group bearing the same symbol but which can also be ordered separately
- F) ASSEMBLED GROUPS:** Number with the relative symbol of the part that can be supplied already assembled



BLANK PAGE



INDEX SPARE PARTS

1 CASE

2 DOOR ASSEMBLY

3 TANK ASSEMBLY

4 GEARMOTOR

5 BOILER ASSEMBLY

6 DISPENSING UNIT

7 PUMP AND FLOWMETER

8 CAPSULE INSERTING UNIT / ELECTRONICS

9 APPENDIX

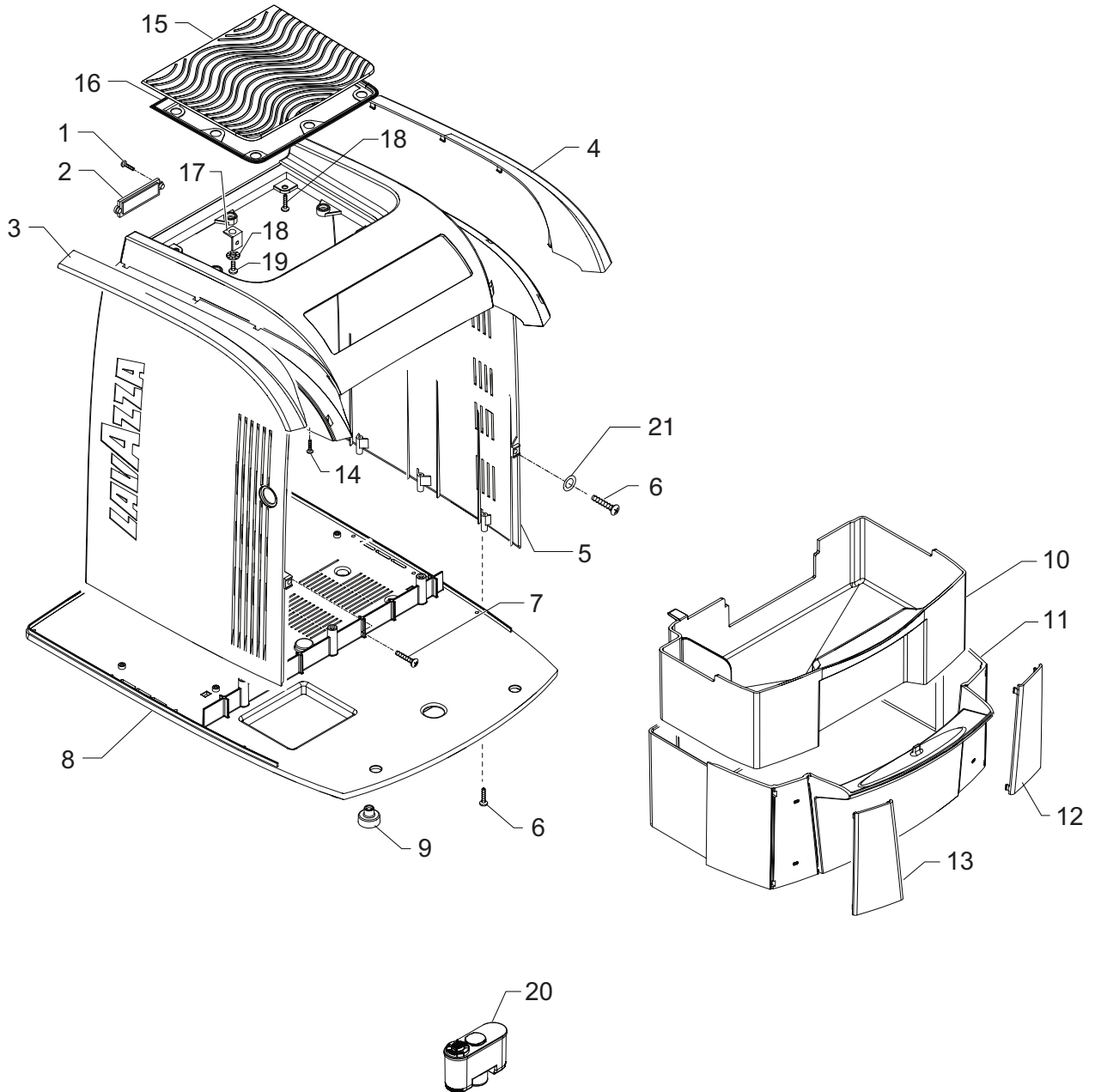


CASE

1

1/2

REF.	PART NO	DESCRIPTION	UDV	NOTES
1	10062347	SCREW TSP TORX 10 3X10 PLAST.SS	50	
2	10061074	PROTECTION FOR LOCK SEAT	25	
3	10062321	INSERT LH FRAME COVER LAV.SILVER	5	
4	10062320	INSERT RH FRAME COVER LAV.SILVER	5	
5	10060874	OPEN COVER FOR FRAME LAV.V2 UL GREY	1	To serial 9009LAV0044800
	10062159	BODY OPEN COVER + LOCK INS.LH V2 UL	1	Until serial 9009LAV0044799
6	10062360	SCREW TCB TORX 10 3X12 PLAST.ZN-B	50	
7	10062402	SCREW TCB TORX 10 3,5X16 PLAST.ZN-B	50	
8	10062319	BASE FRAME LAV.V2 UL BLACK	5	
9	10061048	FOOT BLACK FOR SUPERAUTOMATIC	50	
10	10062300	USED CAPSULE DRAWER LAV.V2 BL.	2	
11	10062286	TANK FOR WATER RECOVERY LAV.V2 GREY	2	
12	10062323	INSERT RH FO WATER REC.TANK LAV. SILVER	5	
13	10062324	INSERT LH FO WATER REC.TANK LAV. SILVER	5	Until serial 9009LAV0044799
	10062155	INSERT LH FOR DRIP TRAY LAV.SILVER SCREEN PR.	5	To serial9009LAV0044800
14	10062358	SCREW TCBR TORX 10 3,5X14 PLAST.INOX	50	
15	10062328	CUP WARMER COVER LAV.V2 GREY	1	
16	10061243	CUP WARMER GASKET IN NBR	10	
17	10061270	WASHER UNI 8842 A4 ZINC PL.	10	
18	10061253	FOLDED TONGUE 6.3 D=5.3	50	
19	10061088	SCREW TCB PH/TT 4X8 - UNI 8112 - ZNP	50	
20	10061805	ANTI-SCALE FILTER KNOB SAECO	5	
21	10061636	FLAT WASHER 3,2x7 ZNP	50	



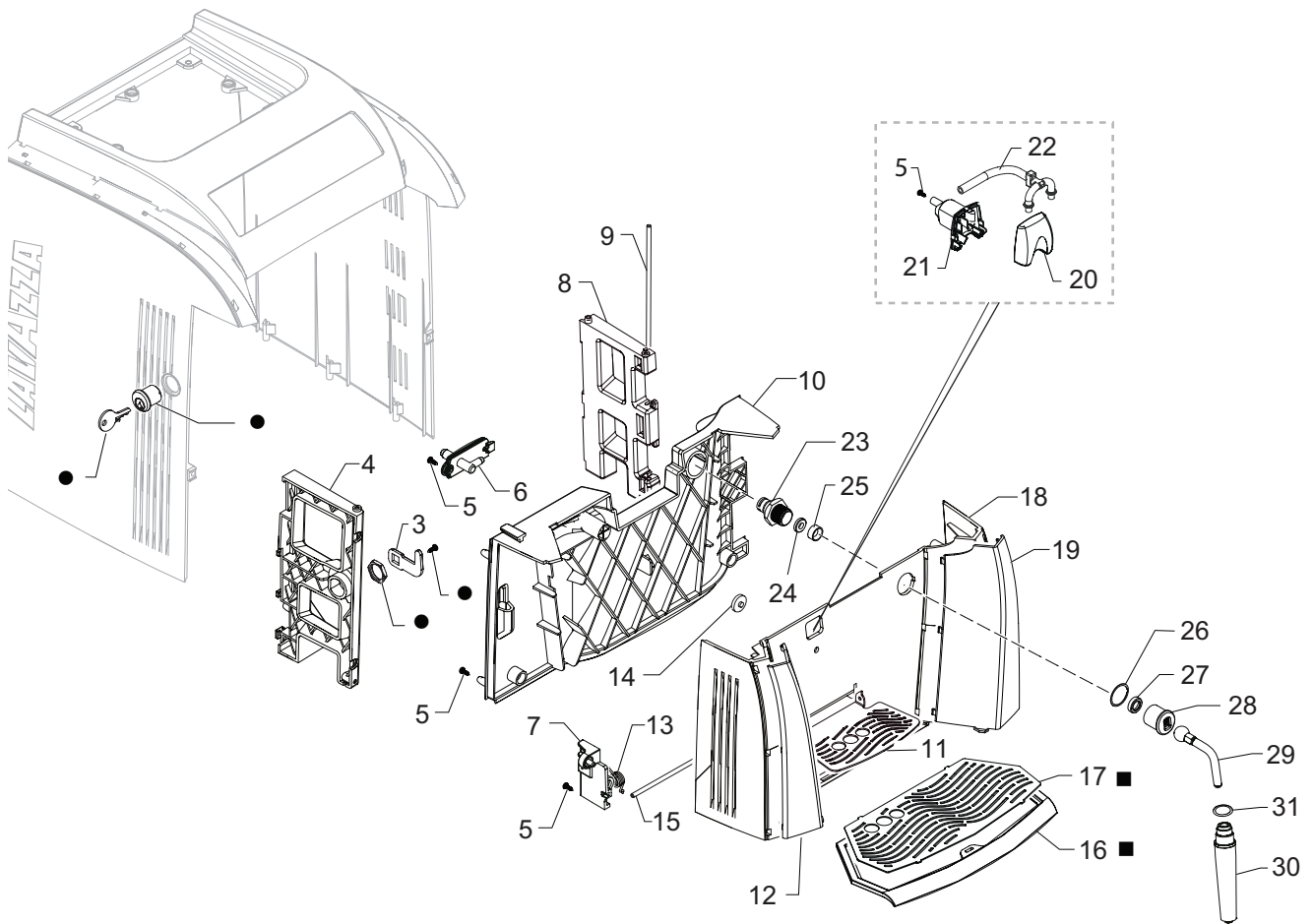


DOOR ASSEMBLY

2

1/2

REF.	PART NO	DESCRIPTION	UDV	NOTES
1	10062367	DOOR LOCK	5	(●) ASSEMBLED
2	10062350	LOWER GRID SUPPORT ASSY LAV. V2 GREY.	5	(■) ASSEMBLED
3	10062356	PLATE FOR DOOR LOCK OCS	10	
4	10062291	DOOR LOCK SUPPORT LAV.V2 BLACK	6	
5	10062357	SCREW PT KC 35X12 WN 1453 SS A2	50	
6	10062299	COFFEE DISPENSER SUPPORT LAV.V2 BLACK	5	
7	10062316	UPPER GRID SPRING SUPP. LAV.V2	5	
8	10062290	DOOR HINGE LAV.V2 BLACK	5	
9	10062354	PIN FOR DOOR HINGE OCS NIK.	5	
10	10062317	DOOR INNER SUPPORT C/2F.LAV.V2 BLACK	4	
11	10062292	UPPER GRID LAV.V2 SS/SB	2	
12	10062302	DOOR INSERT LH LAV.SILVER	5	
13	10062318	UPPER GRID RETURN SPRING SS LAV.V2	10	
14	10062361	DOOR INSERT OCS IN EPDM BLACK	50	
15	10062355	PIN FOR UPPER GRID OCS NICKEL PL.STEEL.	5	
16	10062297	LOWER GRID SUPPORT LAV.V2 SILVER	5	(■)
17	10062298	LOWER GRID LAV.V2 SS/SB	2	(■)
18	10062322	DOOR C/2F.LAV.V2 GREY MET.	1	
19	10062301	DOOR INSERT RH LAV.SILVER	5	
20	10062296	2 SPOUT COFFEE DISP.COVER LAV.V2 SILVER	10	
21	10062289	2 SPOUT COFFEE DISPENSER LAV.V2 BLACK	10	
22	10062313	IN BUSH.FOR 2 SP.COFFEE DISP. OCS BLACK	5	
23	10061244	THREADED COUPLING FOR STEAM PIPE	5	
24	10061245	GASKET FOR SWIVEL STEAM PIPE	5	
25	10061246	UPPER HALF-BALL	5	
26	10061248	INSULATING WASHER	5	
27	10062157	HALF-BALL FOR STEAM DISP.	5	
28	10061250	STYLED INSERT FOR STEAM PIPE	5	
29	10062308	STEAM PIPE ASSY LAV.V2 S.S	5	
30	10062309	PANNARELLO ASSY G100 BLACK/ SAT.FIN.S.S.	1	
31	10060809	SILICON 108 O-RING		



Assembled group

1	●
2	■

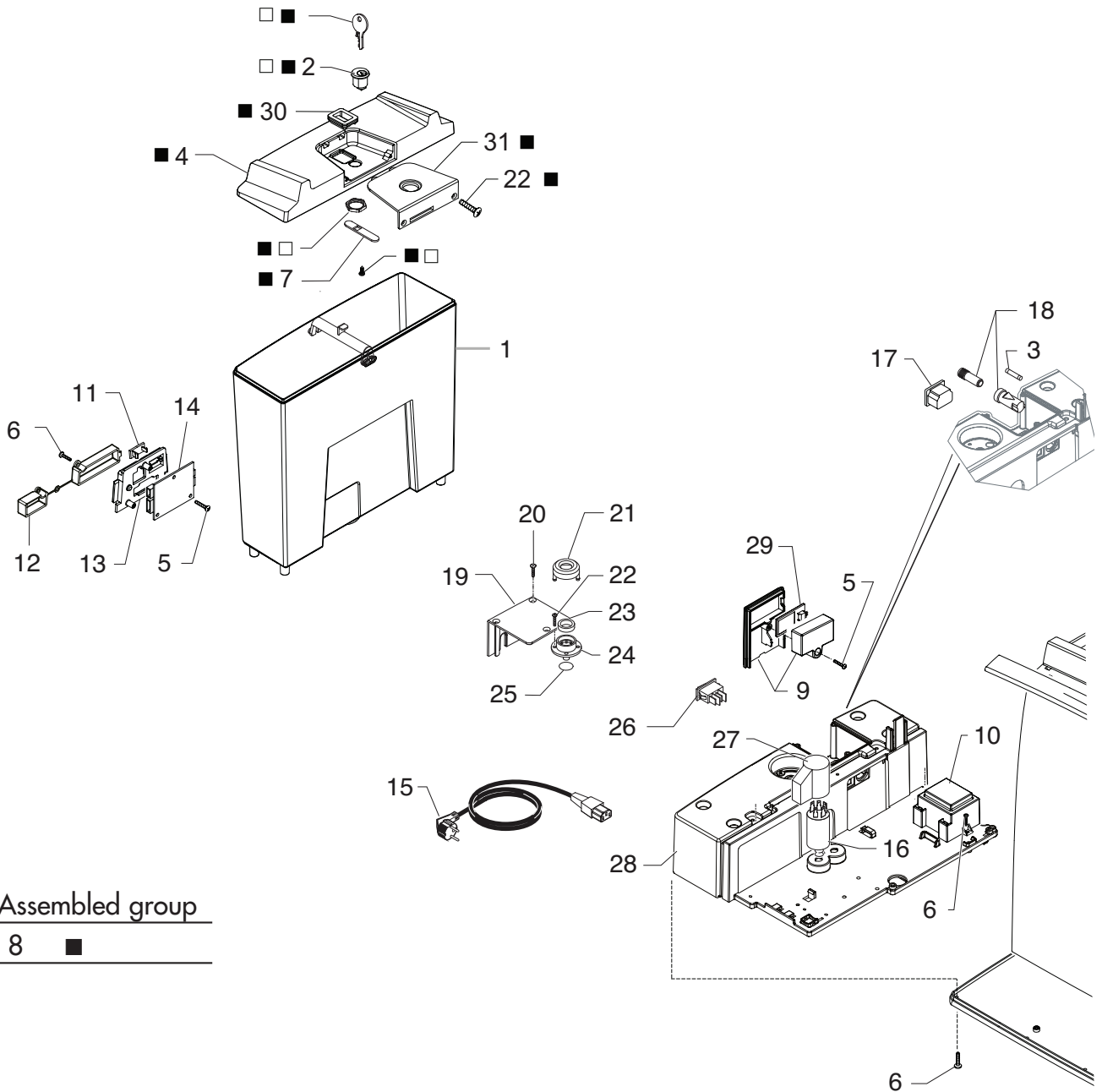


TANK ASSEMBLY

3

1/2

REF.	PART NO	DESCRIPTION	UDV	NOTES
1	10062329	WATER TANK V2 LAV.V2 NSF GREY	1	
2	10062367	DOOR LOCK	5	(■) (□)
3	10061214	FUSE FUSIT "F-GSA 156.3X32"	10	
4	10062331	WATER TANK COVER W/LOCK SEAT LAV.SILVER	5	(■)
5	10062359	SCREW TCB TORX 10 3X8 PLAST.ZN-B	50	
6	10062360	SCREW TCB TORX 10 3X12 PLAST.ZN-B	50	
7	10061024	PLATE FOR COVER LOCK	10	(■)
8	10062330	ASSY WATER TANK COVER W/LOCK SEAT SILV.	1	(■) ASSEMBLED
9	10062338	SUPP.F.WATER LEVEL SENS.LAV.V2 UL BLACK	5	
10	10061280	TRANSFORMER P.M.A.LAVAZZA 120V-180V	5	
11	10062284	PLATE FOR INFRARED SENSOR P0049 TRASPARENT	10	
12	10062336	SUPP.COVER FOR COMM.EL.CARD OCS UL BL.	5	
13	10062335	SUPP.FOR COMMUNIC.EL.CARD OCS UL BLACK	5	
14	10062312	COMMUNICATION BOARD OCS	1	
15	10061212	POWER CORD USA L=2000	10	
16	10062344	NOISE FILTER 16A	10	
17	10062345	CONNECTOR W/BEVELS EN 60320 C 13	10	
18	10061040	FUSE HOLDER ARCOLECTRIC FH-C 0345 RD	5	
19	10062339	OUTLET IEC COVER LAV.UL METAL.GREY.	5	
20	10062357	SCREW PT KC 35X12 WN 1453 SS A2	50	
21	10061032	SEAL COVER GREY	10	
22	10062347	SCREW TSP TORX 10 3X10 PLAST.INOX	50	(■)
23	10061034	GASKET GACO DIM 14 FOR WATER TANK VALVE	10	
24	10061035	GASKET GREY FOR VALVE GASKET	10	
25	10061036	METRIC O-RING 0080-20 IN EPDM BLACK	50	
26	10061020	BIPOLAR SWITCH FUSIT "C1250AP"	5	
27	10061236	CAP FOR NOISE FILTER	5	
28	10062337	WATER TANK SUPPORT LAV.V2 UL METAL.GREY	2	
29	10062283	BOARD OF WATER LEV.CAPAC. SENSOR P124	5	
30	10061282	SEAL FOR WATER TANK COVER LAV.BLACK	20	(■)
31	10062332	COVER LOCK INS.OF WATER TANK LAV.SILVER	5	(■)



Assembled group

8 ■

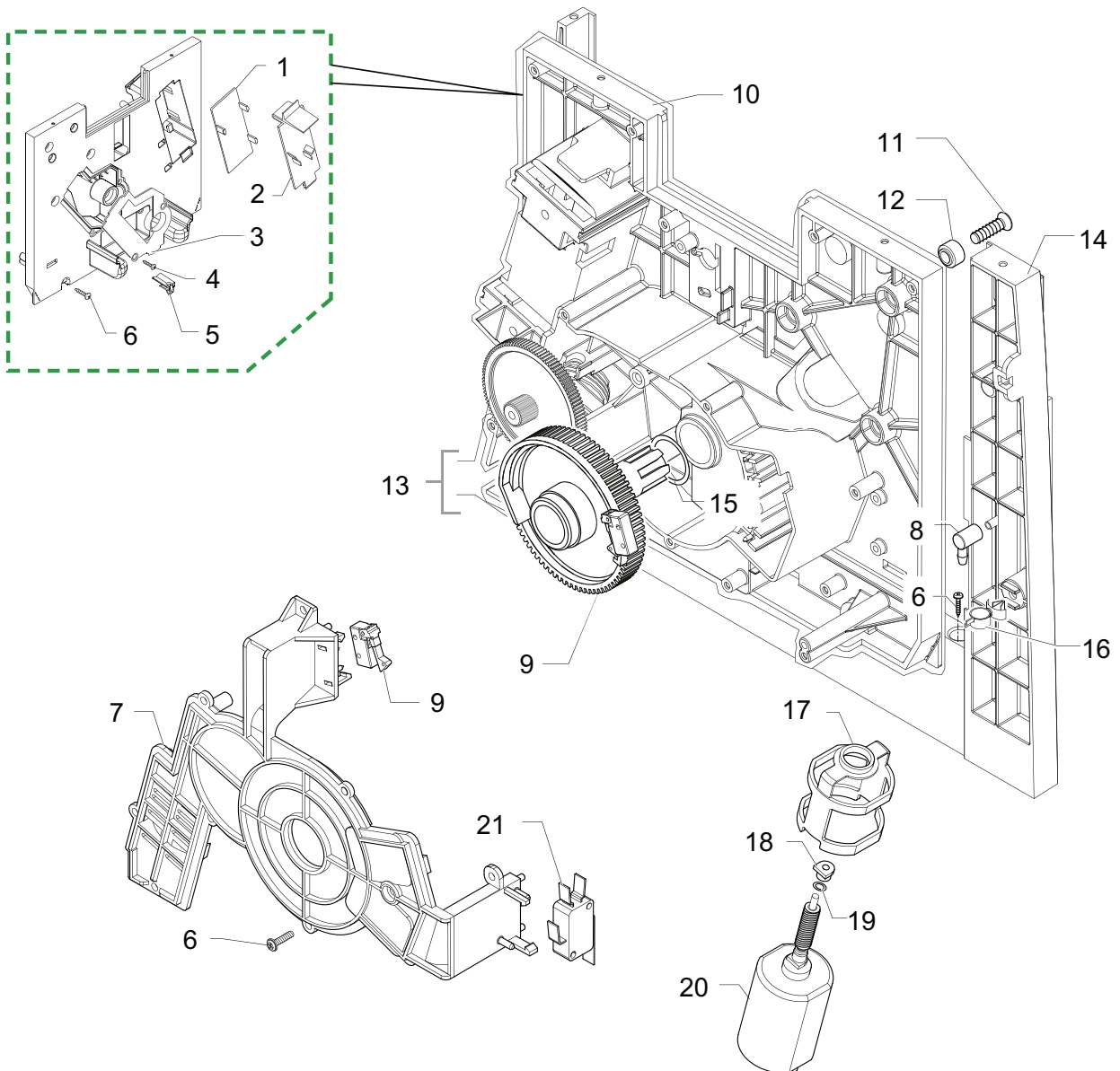


GEARMOTOR

4

1/2

REF.	PART NO	DESCRIPTION	UDV	NOTES
1	10061209	INNER COVER OF PUMP SPACE BLACK	10	
2	10061148	OUTER COVER OF PUMP SPACE BLACK	20	
3	10061089	BOILER SPACE COVER BLACK	10	
4	10061033	SCREW TSP 3,5X9,5 DIN 7982 SS	50	
5	10061273	OUTLET WATER COLLECTOR	10	
6	10062402	SCREW TCB 3,5X16 PLAST.ZN-B	50	
7	10061091	TRANSPARENT GEARMOTOR COVER	10	
8	10061085	PUMP INLET FITTING	20	
9	10061161	MICROSWITCH	5	
10	10061699	MOUNT.PLATE NESPRESSO/UL W/BLACK PIN	10	
11	10061369	HEX SOCK.COUNT.FLAT H.CAP SCREW 5X30	50	
12	10061136	INSULATOR SPACER FOR BOILER	50	
13	10062353	SPARE PART KIT FOR GEARMOTOR. V2	2	
14	10062327	MOUNT.PLATE SUPPORT LAV.V2 UL BLACK	2	
15	10061125	WASHER IN MYLAR FOR GEAR-MOTOR	50	
16	10061147	FIXING CLIP FOR CABLES RICHCO	10	
17	10061103	ANTI-VIBRATION MOUNTING FOR GEARMOTOR	10	
18	10061105	SINTERED BUSHING FOR GEARMOTOR	10	
19	10061363	WASHER BAKELIZED D=5,5	50	
20	10062285	MOTOR ASSY FOR GEARMOTOR W/CAPACITOR	1	
21	10061121	MICROSWITCH FOR WASTE DRAWER	5	



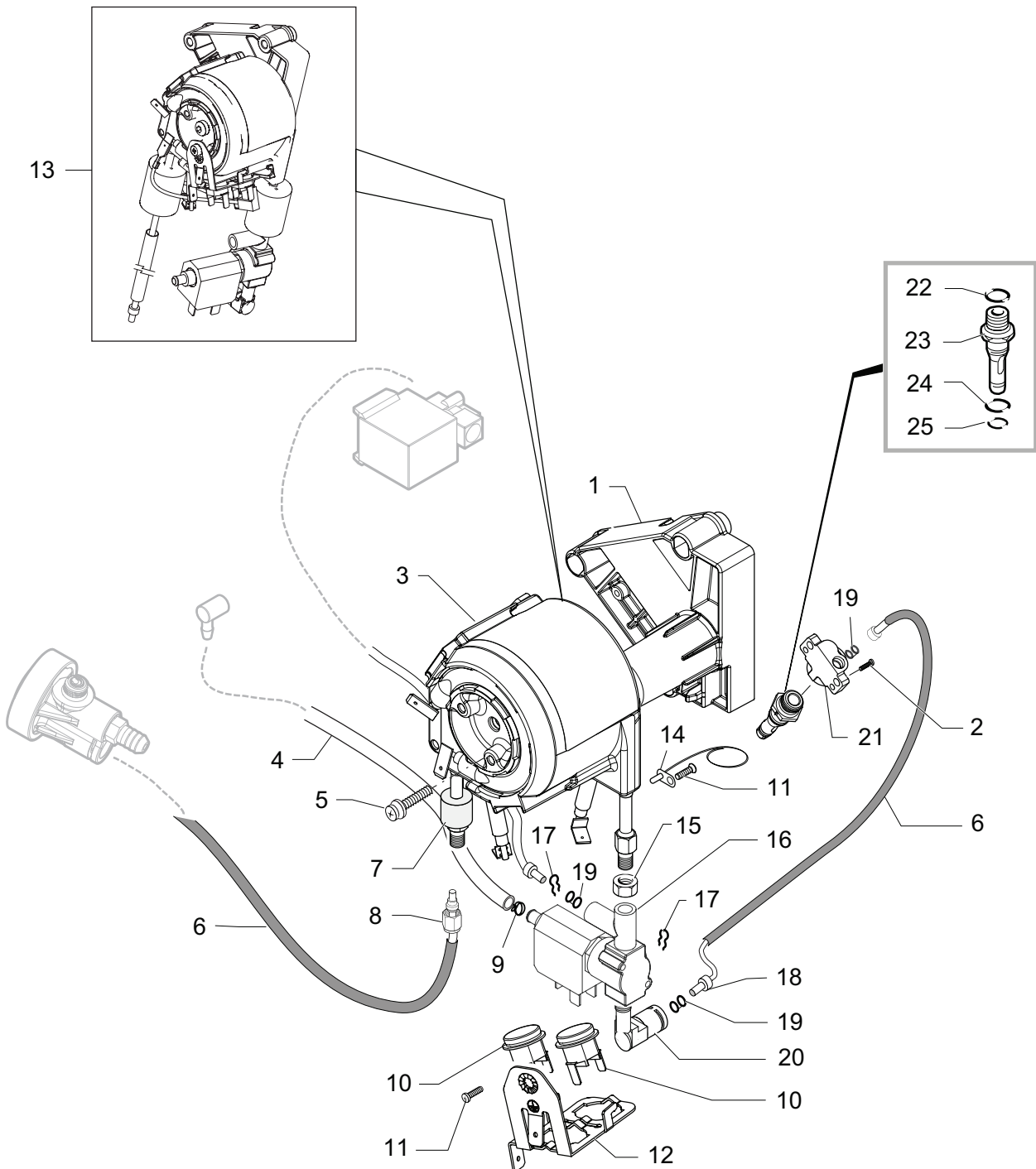


BOILER ASSEMBLY

5

1/2

REF.	PART NO	DESCRIPTION	UDV	NOTES
1	10060827	SUPPORT TYP M5000 FOR ALUMINIUM BOILER	5	
2	10061138	SCREW HI-LO TC 3,5X15	10	
3	10061220	ASSY ALUMINIUM TUBULAR BOILER 120V	1	
4	10061086	PIPE D.5X10 L=15M 60SR SILICONE	1	
5	10061369	HEX SOCK.COUNT.FLAT H.CAP SCREW 5X30	50	
6	10061791	SILICON PIPE BLACK 7,5X9,3 (L. 2m)	10	
7	10061115	PROTECT. FOR FORK SPRING	10	
8	10061116	ASS.PTFE CONNECTOR+ PROT. L=185MM	5	
9	10061614	HOSE CLAMP D=11/11,6	10	
10	10061808	THERMOSTAT 175° 1NT-15L-5126	20	
11	10061088	SCREW TCB PH/TT 4X8 UNI 8112 ZNP	50	
12	10062374	SPRING FOR BOILER THERMOSTATS V5	50	
13	10062295	ASSY ALUM.BOILER.W/HEAT.EL.OCS 120V	1	
14	10061222	TEMPERATURE SENSOR L=280 MM US	2	
15	10061151	HEXAGON NUT M8X1 H=2.5	10	
16	10061802	3-WAY SOLENOID VALVE 120 V VER.2	2	
17	10061097	FORK FOR PIPE D.4	50	
18	10061129	PTFE UNION+PROTECT. L=260 MM	2	
19	10061130	SILICON O-RING 2015 TEFLON MADE	50	
20	10061364	CONICAL FITTING 90° OTT/TEA	10	
21	10061137	BOILER SUPP.COUPLING IN PEEK	5	
22	10061140	METRIC O-RING 0080-20 IN SILICON	50	
23	10061141	PIN FOR VALVE IN PLASTIC	5	
24	10061142	O-RING ORM 0090-20 SILICONE	50	
25	10061365	SILICON O-RING ORM 0050-20	5	



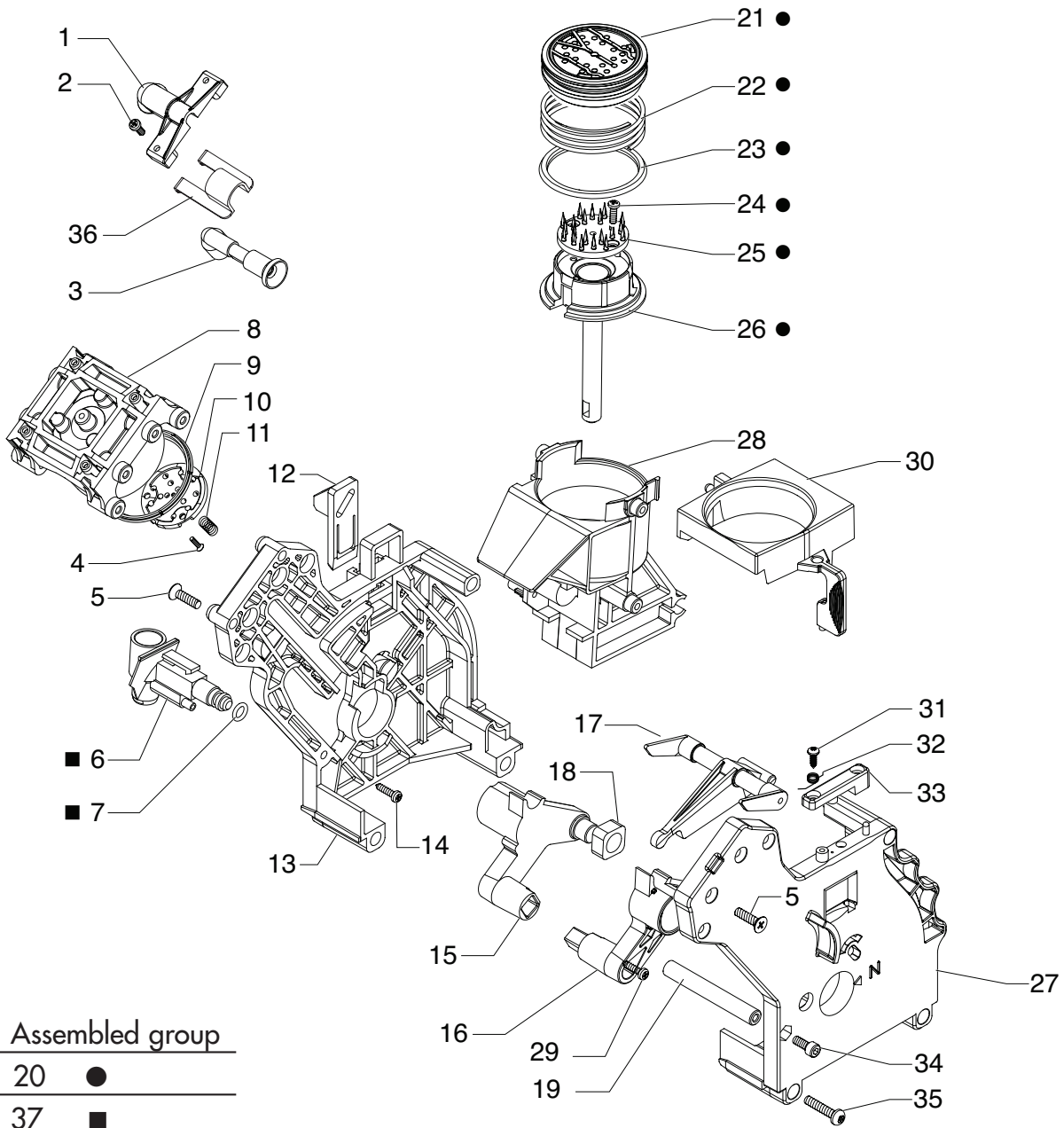
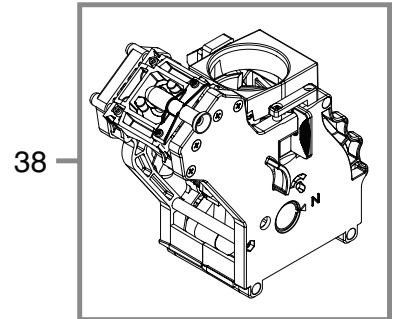


DISPENSING UNIT

6

1/4

REF.	PART NO	DESCRIPTION	UDV	NOTES
1	10061204	COFFEE OUTLET SLEEVE GREY	10	
2	10061181	SCREW TCB 2,9X12,7 DIN 7981 SS	50	
3	10061525	COFFEE OUTLET COLLECTOR	5	
4	10061502	SCREW PT KB 30X8 WN 1413 SS A2	50	
5	10061186	SCREW PT KB 40X16 WN 1413 SS A2	10	
6	10061202	WATER INLET SLEEVE GREY	5	(■)
7	10061787	O-RING 2025 TERMOIL	50	(■)
8	10062154	FIXED CONTAINER FOR COFFEE CAPSULE V3	10	
9	10061192	UPPER LIP SEAL FOR COFFEE CAPSULE	20	
10	10060279	CAPSULE UPPER PERFORATOR SUPPORT PEEK	10	
11	10061179	SPRING FOR PERFORATOR SUPPORT	50	
12	10061205	PLATE GREY FOR GROUP COUPLING	10	
13	10062153	PLATE FOR BREW.UNIT POS. V3 LAV. BLACK	5	
14	10060848	SCREW TCB 3X25 PLAST.SS	50	
15	10061177	CRANKSHAFT FEMALE IN ALUMINUM	5	
16	10061176	CRANKSHAFT MALE IN ALUMINUM	5	
17	10061189	CONNECTING ROD FOR BREW.UNIT	20	
18	10061203	RILLED BLOCK FOR BREW.UNIT	10	
19	10061173	SPACER BRASS	10	
20	10062152	CAPSULE EJECTOR PISTON ASSY V3 LAV.	2	(●) ASSEMBLED
21	10062342	DRILLED MOVABLE PLATE BODY V3 LAV.BLACK	10	(●)
22	10061178	SPIRAL SPRING FOR EJECTOR PISTON	5	(●)
23	10062151	LIP SEAL FOR EJECTOR PISTON V2 LAV.	20	(●)
24	10061185	SCREW HI-LO TC 3X10 SS	50	(●)
25	10061196	CAPSULE LOWER PERFORATOR	10	(●)
26	10061201	CAPS.EJECTOR PISTON	5	(●)
27	10062156	FRONT PLATE FOR BREW.UNIT V3 LAV.BLACK	5	
28	10062158	MOV.CONT.FOR CAPSULE ASSY V3 LAV. BLACK	2	
29	10061380	SCREW TCB 4X20 UNI 8112 SS	100	
30	10061198	HOPPER GREY	10	
31	10062347	SCREW TSP TORX 10 3X10 PLAST.SS	50	



Assembled group

20 ●

37 ■

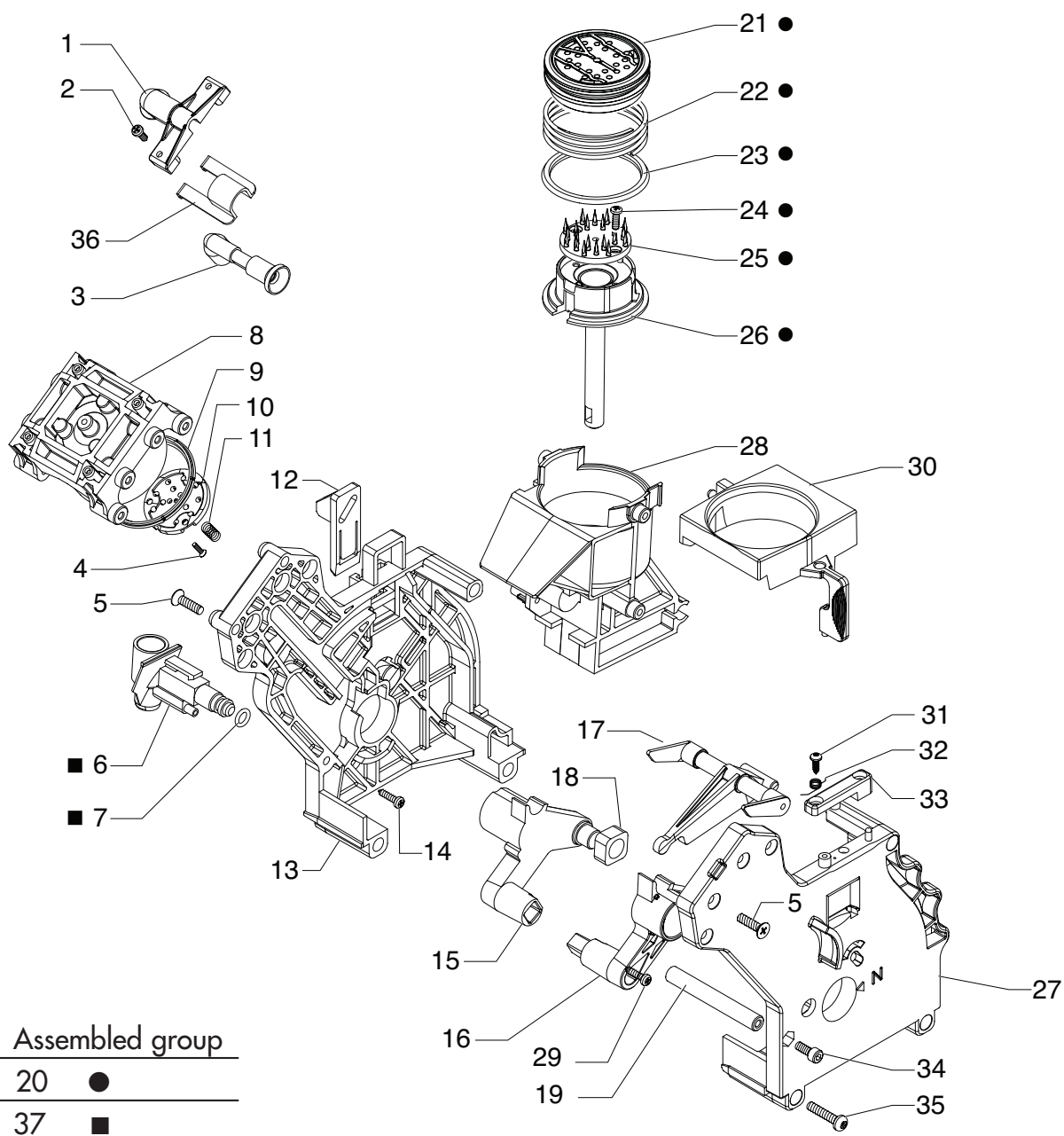
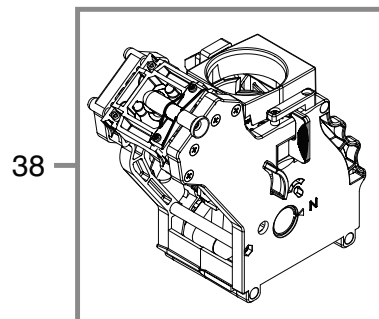


DISPENSING UNIT

6

3/4

REF.	PART NO	DESCRIPTION	UDV	NOTES
32	10061175	HOPPER SPRING	5	
33	10061206	HOPPER FASTENER PLATE	20	
34	10061207	HEX.SOCKET HEAD SCREW M 4.0X10 UNI 5931	50	
35	10061691	SELF TAPPING SCREW TCB 3,5X19 DIN 7981	50	
36	10061470	COFFEE OUTLET COLLECTOR BRACKET	10	
37	10060849	SLEEVE SPARE PART ASSY BLACK	20	(■) ASSEMBLED
38	10062341	BREWING UNIT V3 LAV.OCS BLACK	1	



Assembled group

20 ●

37 ■

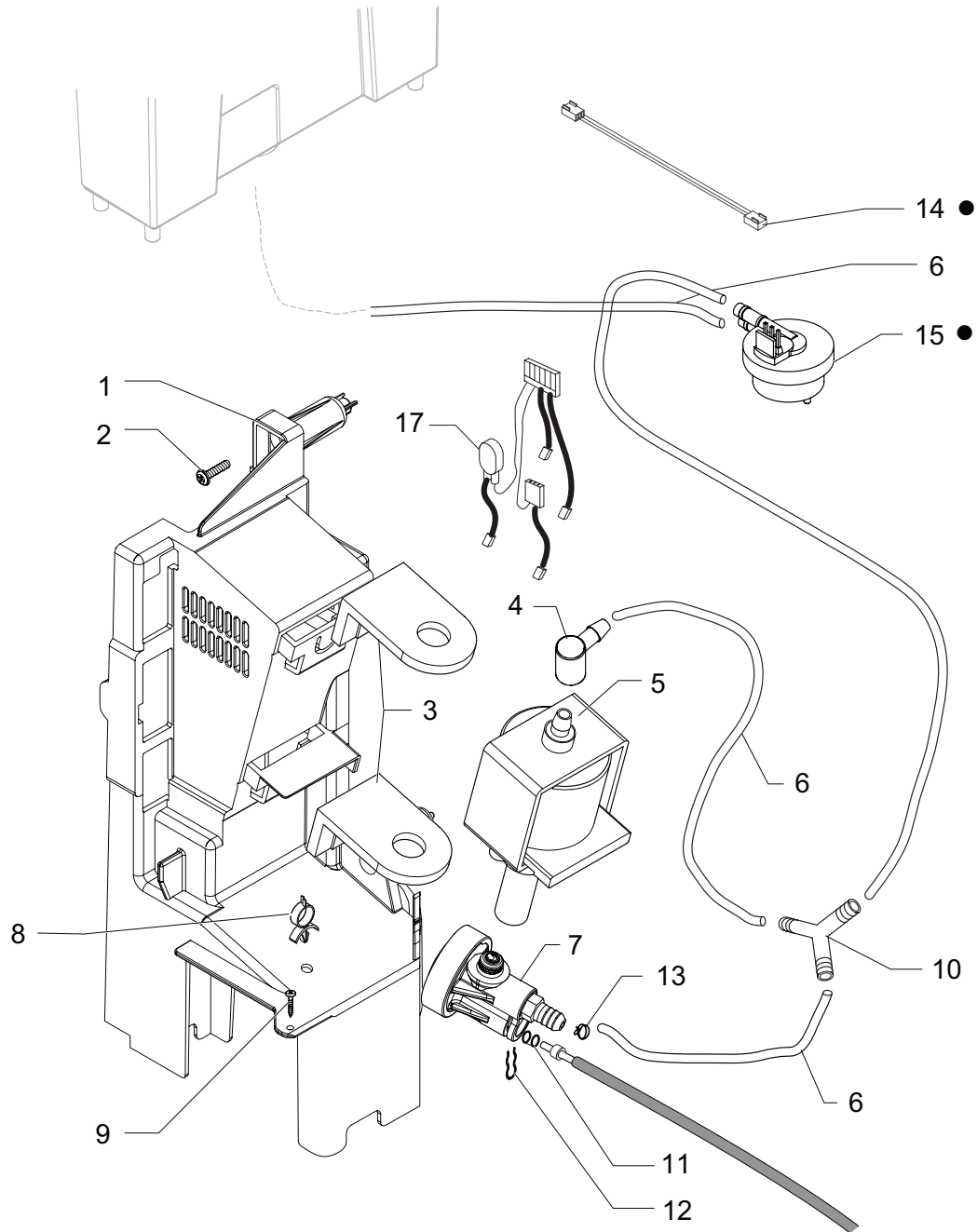


PUMP AND FLOWMETER

7

1/2

REF.	PART NO	DESCRIPTION	UDV	NOTES
1	10062305	PUMP SUPPORT AND POWER BOARD LAV.V2	5	
2	10062402	SCREW TCB 3,5X16 PLAST.ZN-B	50	
3	10061084	PUMP SUPPORT EATON	10	
4	10061085	PUMP INLET COUPLING	20	
5	10061285	PUMP ULKA EFP4/S 120V-60HZ	5	
6	10061086	PIPE D.5X10 L=15M 60SR SILICONE	1	(●)
7	10061697	ASS. SAFETY VALVE 14 BAR	5	
8	10061147	FIXING CLIP FOR CABLES RICHCO	10	
9	10062359	SCREW TCB TORX 10 3X8 PLAST.ZN-B	50	
10	10061099	Y FITTING D=8	10	
11	10061130	O-RING 2015 SILICON TEFLON MADE	50	
12	10061097	FORK FOR PIPE D.4	50	
13	10061614	HOSE CLAMP D=11/11,6	10	
14	10061371	3 POLES TURBINE CONNECTOR ASSY LAV/DL	10	(●)
15	10061370	TURBINE DIGMESA FHKSC 1,2 ARNITE OC	5	(●)
16	10062397	TURBINE DIGMESA ASSY	1	(●) ASSEMBLED
17	10062352	ASS.4-POLE SOLENOID VALVE CONNECT.OCS UL	5	



Assembled group

16 ●

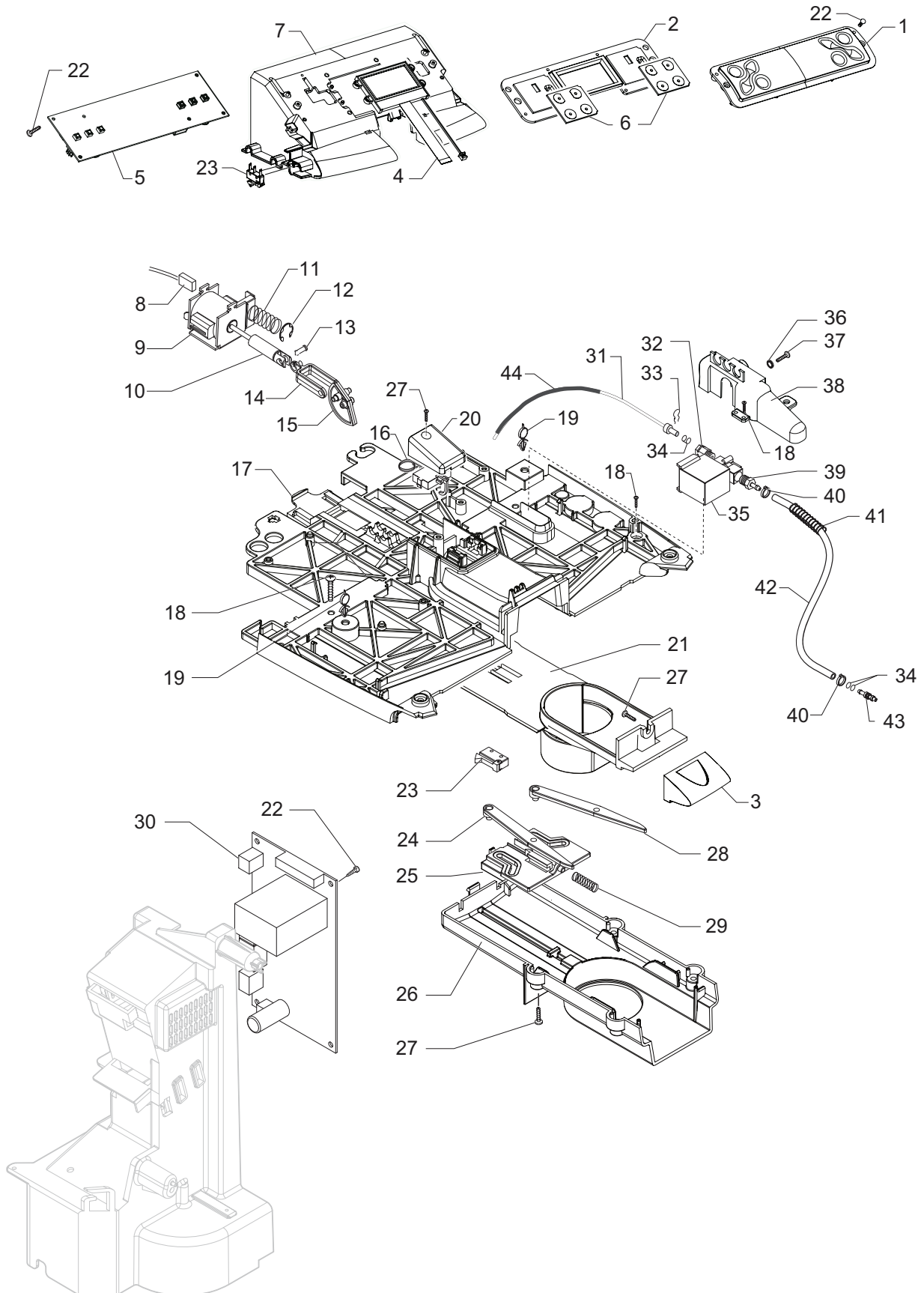


CAPSULE INSERTING UNIT / ELECTRONICS

8

1/4

REF.	PART NO	DESCRIPTION	UDV	NOTES
1	10062304	FRONT PANEL 2SP.LAV.V2 GREY7022 BLACK	1	
2	10062303	FRONT PANEL GASKET LAV.V2 BLACK	10	
3	10062287	CAPSULE DRAWER HANDLE LAV.V2 GREY	5	
4	10062346	GRAPHIC DISPLAY OCS	1	
5	10062294	ASS.CPU+SW SAECO OCS V1	1	
6	10062311	ASS.KBD+SW CAP.LAV.OCS	1	
7	10062334	FRONT PANEL SUPP. LAV.V2 UL MET.GREY	5	
8	10062352	ASS.4-POLE SOLENOID VALVE CONNECT.OCS UL	2	
9	10061225	ASSY ELECTROMAGNET 120V	5	
10	10061167	CYLINDER FOR ELECTROMAGNET	5	
11	10060899	SPRING FOR ELECTROMAGNET PIN	100	
12	10061166	RETAINING RING D=7 FOR SHAFTS UNI 7434	50	
13	10061118	PIN GREY FOR DOSIMETER DOOR	50	
14	10061168	CONNECTING ROD BLACK FOR CAPS. INSERTING	10	
15	10061169	CAM FOR MOV.GUIDE	5	
16	10061170	MICROSWITCH CAPS.PRES. LITEON 306-06-W8	5	
17	10062306	CAPSULE LOADING PLATE LAV.DL.V2 UL	5	
18	10062402	SCREW TCB 3,5X16 PLAST.ZN-B	50	
19	10061147	FIXING CLIP FOR CABLES RICHCO	10	
20	10062293	SENSOR PROTECTOR	50	
21	10062310	CAPSULE LOADING DRAWER LAV.V2 BLACK	2	
22	10062359	SCREW TCB TORX 10 3X8 PLAST.ZN-B	50	
23	10061161	MICROSWITCH	5	
24	10061162	LEVER LH BLACK	10	
25	10061163	MOV.GUIDE FOR DRAWER	10	
26	10062314	SUPPORT FOR CAPS.LOADING UNIT	5	
27	10062357	SCREW PT KC 35X12 WN 1453 SS A2	50	
28	10061376	LEVER RH BLACK	10	
29	10061149	SPRING FOR CAPS.DRAWER LEVER MOV.GUIDE	50	
30	10062363	PWR ELECTR.BOARD SAECO OCS DL 120V	1	



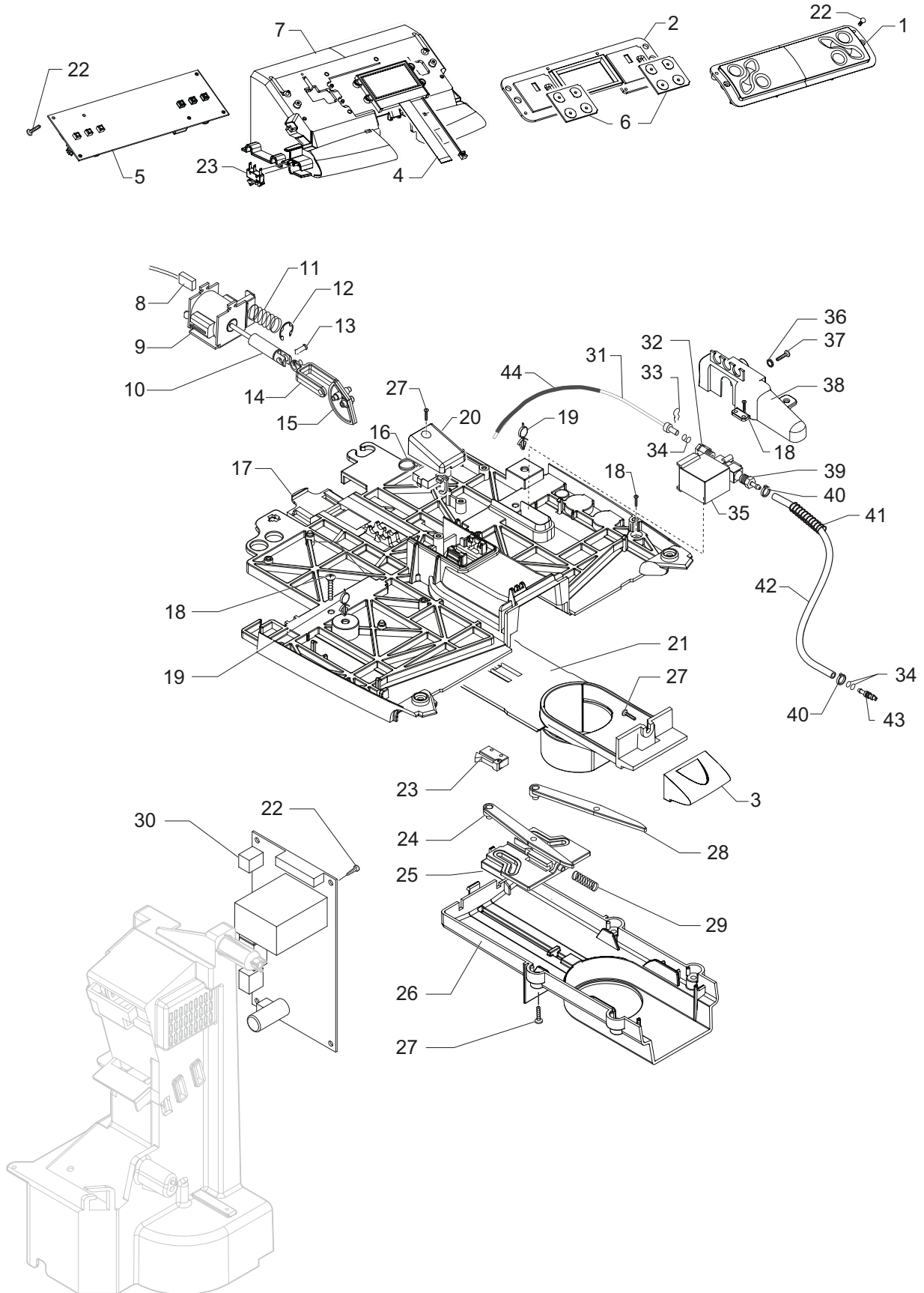


CAPSULE INSERTING UNIT / ELECTRONICS

8

3/4

REF.	PART NO	DESCRIPTION	UDV	NOTES
31	10061228	PTFE COUPLING+PROTECT.ASSY 2X4 L=380 MM	5	
32	10062202	CONIC.FITTING 1/8" FOR PIPE D=4 OTT/TEA	10	
33	10061097	FORK FOR PIPE D.4	50	
34	10061130	O-RING 2015 SILICONE WITH TEFLON	50	
35	10062230	SOLENOID VALVE 15 VA 2V.1/8" FEM.M4 120V		
36	10061270	WASHER UNI 8842 A4 ZINC PL.	10	
37	10062368	SCREW TCB TORX 20 M4X6 ZN-B	50	
38	10062362	SOLENOID VALVE SUPPORT OCS BLACK	5	
39	10061231	STRAIGHT FITTING CH1 1 1/8" C/RESCA OT/TEA	10	
40	10061275	CLAMP OETIKER	10	
41	10061806	SPRING DI=7,5 L=230 FOR REINF.PIPE 3X7	10	
42	10062365	REINF.SILICONE PIPE 3X7 L=245 MM	50	
43	10061227	STR.FITTING FOR STEAM PIPE LAV/DL.OT/TEA	5	
44	10061791	SILICONE PIPE BLACK 7,5X9,3 (L. 2MT)	10	





APPENDIX

9

1/2

REF.	PART NO	DESCRIPTION	UDV	NOTES
1	10061009	TOP POLYSTYRENE PIECE	1	
2	10061010	LOW POLYSTYRENE PIECE	1	
3	10062348	FLEXOGRAPHIC PRINTED BOX V2 LAVAZZA BLUE	20	
4	10062349	OPERATING INSTR.LAVAZZA SUP026RF 7 LANG.	3	
5	10061790	WATER HARDNESS TEST	10	

