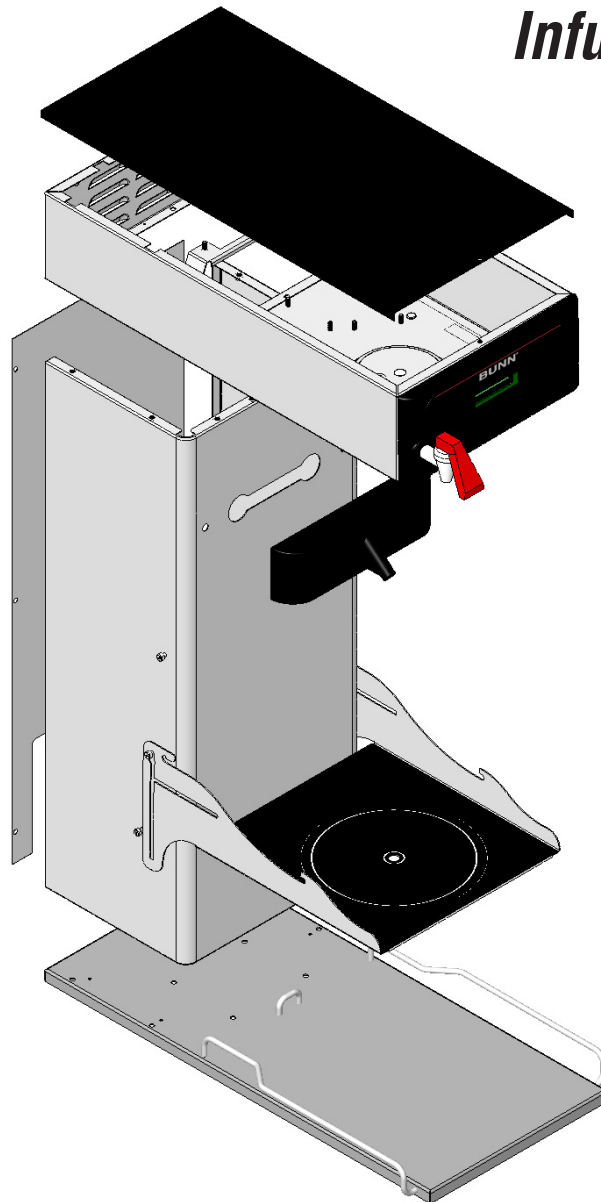

BUNN®

*ITCB
ITCB-DV
Infusion Series®*



ILLUSTRATED PARTS CATALOG

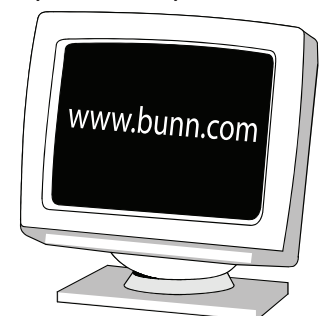
Designs, materials, weights, specifications, and dimensions for equipment or replacement parts are subject to change without notice.

BUNN-O-MATIC CORPORATION

POST OFFICE BOX 3227

SPRINGFIELD, ILLINOIS 62708-3227

PHONE: (217) 529-6601 FAX: (217) 529-6644



BUNN-O-MATIC COMMERCIAL PRODUCT WARRANTY

Bunn-O-Matic Corp. ("BUNN") warrants equipment manufactured by it as follows:

- 1) All equipment other than as specified below: 2 years parts and 1 year labor.
- 2) Electronic circuit and/or control boards: parts and labor for 3 years.
- 3) Compressors on refrigeration equipment: 5 years parts and 1 year labor.
- 4) Grinding burrs on coffee grinding equipment to grind coffee to meet original factory screen sieve analysis: parts and labor for 3 years or 30,000 pounds of coffee, whichever comes first.

These warranty periods run from the date of installation BUNN warrants that the equipment manufactured by it will be commercially free of defects in material and workmanship existing at the time of manufacture and appearing within the applicable warranty period. This warranty does not apply to any equipment, component or part that was not manufactured by BUNN or that, in BUNN's judgment, has been affected by misuse, neglect, alteration, improper installation or operation, improper maintenance or repair, damage or casualty. This warranty is conditioned on the Buyer 1) giving BUNN prompt notice of any claim to be made under this warranty by telephone at (217) 529-6601 or by writing to Post Office Box 3227, Springfield, Illinois 62708-3227; 2) if requested by BUNN, shipping the defective equipment prepaid to an authorized BUNN service location; and 3) receiving prior authorization from BUNN that the defective equipment is under warranty.

THE FOREGOING WARRANTY IS EXCLUSIVE AND IS IN LIEU OF ANY OTHER WARRANTY, WRITTEN OR ORAL, EXPRESS OR IMPLIED, INCLUDING, BUT NOT LIMITED TO, ANY IMPLIED WARRANTY OF EITHER MERCHANTABILITY OR FITNESS FOR A PARTICULAR PURPOSE. The agents, dealers or employees of BUNN are not authorized to make modifications to this warranty or to make additional warranties that are binding on BUNN. Accordingly, statements by such individuals, whether oral or written, do not constitute warranties and should not be relied upon.

If BUNN determines in its sole discretion that the equipment does not conform to the warranty, BUNN, at its exclusive option while the equipment is under warranty, shall either 1) provide at no charge replacement parts and/or labor (during the applicable parts and labor warranty periods specified above) to repair the defective components, provided that this repair is done by a BUNN Authorized Service Representative; or 2) shall replace the equipment or refund the purchase price for the equipment.

THE BUYER'S REMEDY AGAINST BUNN FOR THE BREACH OF ANY OBLIGATION ARISING OUT OF THE SALE OF THIS EQUIPMENT, WHETHER DERIVED FROM WARRANTY OR OTHERWISE, SHALL BE LIMITED, AT BUNN'S SOLE OPTION AS SPECIFIED HEREIN, TO REPAIR, REPLACEMENT OR REFUND.

In no event shall BUNN be liable for any other damage or loss, including, but not limited to, lost profits, lost sales, loss of use of equipment, claims of Buyer's customers, cost of capital, cost of down time, cost of substitute equipment, facilities or services, or any other special, incidental or consequential damages.

392, AutoPOD, AXIOM, BrewLOGIC, BrewMETER, Brew Better Not Bitter, BrewWISE, BrewWIZARD, BUNN Espresso, BUNN Family Gourmet, BUNN Gourmet, BUNN Pour-O-Matic, BUNN, BUNN with the stylized red line, BUNNlink, Bunn-O-Matic, Bunn-O-Matic, BUNNserve, BUNNSERVE with the stylized wrench design, Cool Froth, DBC, Dr. Brew stylized Dr. design, Dual, Easy Pour, EasyClear, EasyGard, FlavorGard, Gourmet Ice, Gourmet Juice, High Intensity, iMIX, Infusion Series, Intellisteam, My Café, PowerLogic, Quality Beverage Equipment Worldwide, Respect Earth, Respect Earth with the stylized leaf and coffee cherry design, Safety-Fresh, savemycoffee.com, Scale-Pro, Silver Series, Single, Smart Funnel, Smart Hopper, SmartWAVE, Soft Heat, SplashGard, The Mark of Quality in Beverage Equipment Worldwide, ThermoFresh, A Partner You Can Count On, Air Brew, Air Infusion, Beverage Bar Creator, Beverage Profit Calculator, Brew better, not bitter., BUNNSource, Coffee At Its Best, Cyclonic Heating System, Digital Brewer Control, Nothing Brews Like a BUNN, Pouring Profits, Signature Series, Tea At Its Best, Phase Brew, The Horizontal Red Line, Titan, trifecta, Ultra, Velocity Brew are either trademarks or registered trademarks of Bunn-O-Matic Corporation.

TABLE OF CONTENTS

Hood, Trunk, Base and Panels.....	4
Tank and Components.....	8
Dispense Valve and Sprayhead	10
Faucet and Lines	12
Fill, Dilution & Tank Drain - Later Models.....	14
Sweetener	16
Fill, Dilution & Tank Drain - Early Models & CE.....	18
Electrical and Operating Controls.....	22
Funnels	26
Numerical Index.....	28

ITCB-DV.....	Dual Voltage Machine
ITCB-C-DV	Dual Voltage Machine for Canada
ITCBA.....	230 Volt Machine
ITCBB.....	200 Volt Machine

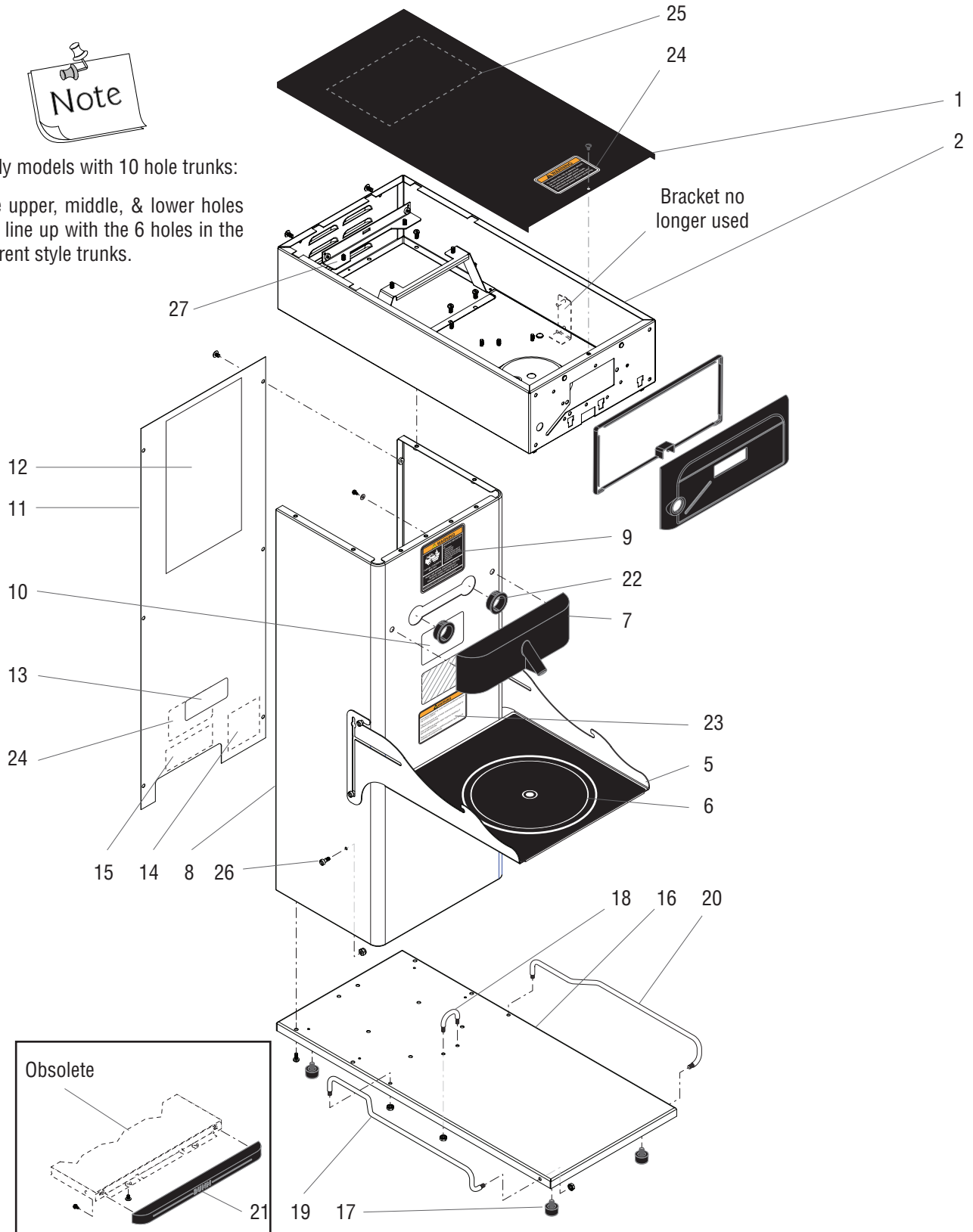
Fraction	Decimal		Fraction	Decimal
1/16	0.063		9/16	0.563
1/8	0.125		5/8	0.625
3/16	0.188		11/16	0.688
1/4	0.250		3/4	0.750
5/16	0.313		13/16	0.813
3/8	0.375		7/8	0.875
7/16	0.438		15/16	0.938
1/2	0.500		1	1.000



Note

Early models with 10 hole trunks:

The upper, middle, & lower holes will line up with the 6 holes in the current style trunks.



HOOD, TRUNK, BASE AND PANELS

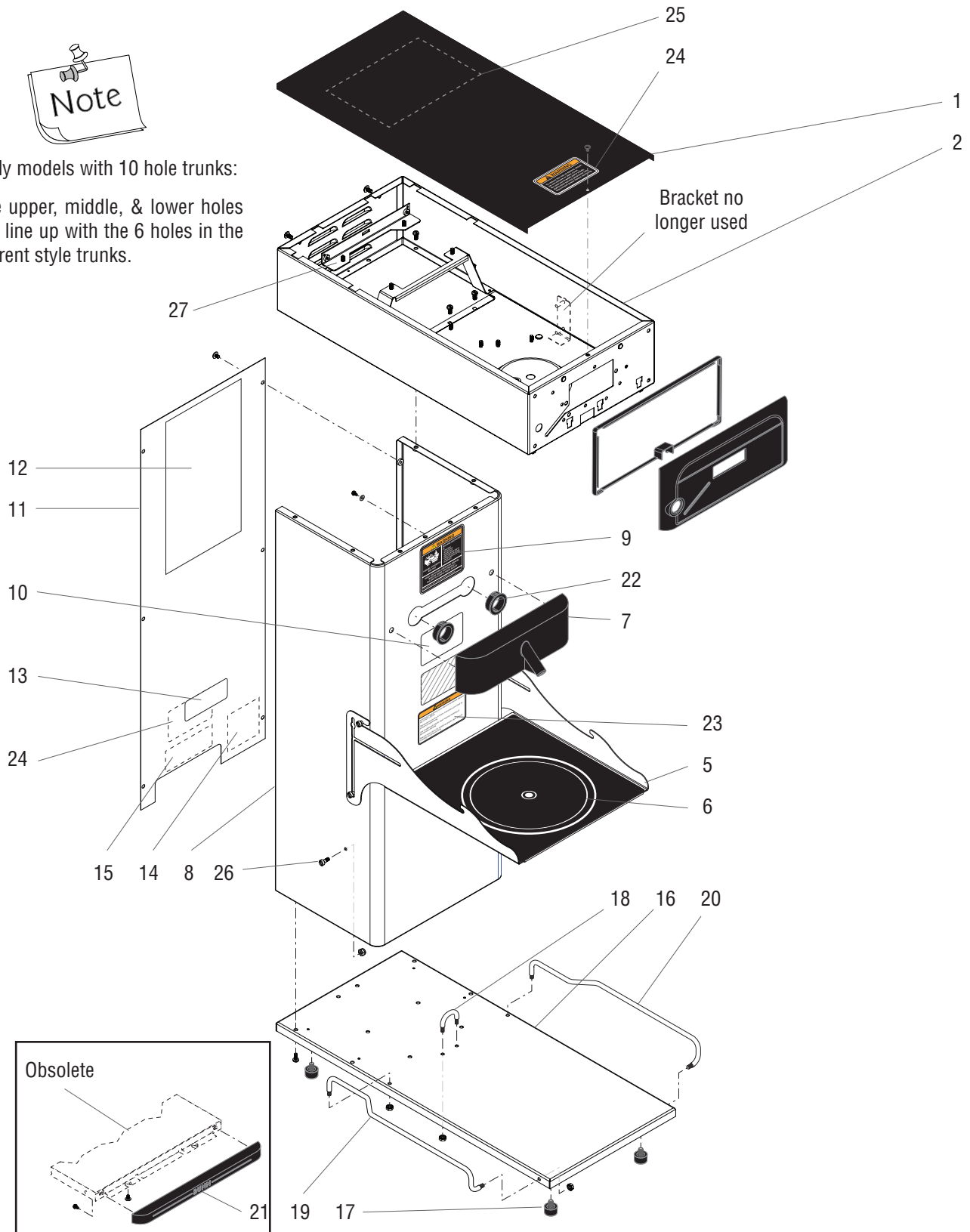
ITEM	PART NO.	QTY.	DESCRIPTION
1	36355.1006	1	Cover, Top (Includes items 24 & 25)
	01308.0000	1	Screw, Truss Head #6-32 x .25"
2	36354.0001*	1	Hood, Early Style w/Memory Board (Not Available, Order 36354.0004)
	36354.0004	1	Hood, w/o Memory Board
	02308.0000	8	Screw, Pan Head #8-32 x .38"
5	38704.1002	1	Flip Tray w/Decal
6	38578.0000	1	Decal
7	36360.1001	1	Kit, Dilution Nozzle (Includes 2 Elbow fittings)
	36360.1002	1	Kit, Dilution Nozzle (Includes Tee fitting) FOR FACTORY SWEETENER ONLY
	02332.0005	2	Screw, Hex #6 x .38"
8	36353.1000*	1	Trunk w/Decals 29.0" (10 mtg. hole) (Not Available, Order 36353.1007)
	36353.1001	1	Trunk w/Decals 25.75" (Includes item 9 & 10) (8 mtg. hole) No Switch
	36353.1007	1	Trunk w/Decals 29.0" (Includes items 9 & 10) (6 mtg. hole) No Switch
	36353.1008	1	Trunk w/Decals 25.75" (Includes item 9 & 10) (6 mtg. hole) No Switch
	36353.1009	1	Trunk w/Decals 29.0" (6 mtg. hole) w/Rocker Switch
	36353.1010*	1	Trunk 29.0" (6 mtg. hole) w/Rocker Switch (Not Available, order 38580.1001)
	36353.1016*	1	Trunk 29.0" (6 mtg. hole) w/Toggle Switch (Not Available, order 38580.1003)
	36353.1017	1	Trunk w/Decals 25.75" (Includes item 9 & 10) (6 mtg. hole) w/Toggle Switch
	38580.1000*	1	Trunk, Flip Tray w/Decals 28.8" No Switch (Not Available, order 38580.1003)
	38580.1001	1	Trunk, Flip Tray w/Decals 28.8" (Includes items 9, 10, 23, & 26) w/Rocker Switch
	38580.1003	1	Trunk, Flip Tray w/Decals 28.8" (Includes items 9, 10, 23, & 26) w/Toggle Switch
	38595.1000	1	Trunk, Flip Tray w/Decals 25.75" (Includes items 9, 10, 23, & 26) No Switch
	38595.1003	1	Trunk, Flip Tray w/Decals 25.75" (Includes items 9, 10, 23, & 26) w/Toggle Switch
	02308.0000	6	Screw, Pan Head #8-32 x .38"
9	00658.0000	1	Decal, Warning - Decanter/Funnel
10	29710.0009	1	Decal, Optional Field Wiring (Models ITCB-DV)
	29710.0010	1	Decal, Optional Field Wiring (Models ITCB-C-DV)
11	36356.1000*	1	Panel w/Decals 29.0" (10 mtg.hole) (ITCB-DV) (Not Available, Order 36356.1008)
	01311.0001	10	Screw, Truss Head #8-32 x .25"
	36356.1008	1	Panel w/Decals 29.0" (6 mtg.hole) (Includes items 12-15 & 24) (ITCB-DV)
	01311.0001	6	Screw, Truss Head #8-32 x .25"
	36356.1001	1	Panel w/Decals 25.75" (8 mtg. hole) (Includes items 12-15 & 24) (ITCB-DV)
	01311.0001	8	Screw, Truss Head #8-32 x .25"
	36356.1013	1	Panel w/Decals 25.75" (6 mtg. hole) (Includes items 12-15 & 24) (ITCB-DV)
	01311.0001	6	Screw, Truss Head #8-32 x .25"
	36356.1006*	1	Panel 25.75" (8 mtg. hole) (ITCB-C-DV) (Not Available, Order 36356.1001)
	01311.0001	8	Screw, Truss Head #8-32 x .25"
	36356.1014	1	Panel w/Decals 25.75" (6 mtg. hole) (Includes items 12-15 & 24) (ITCB-C-DV)
	01311.0001	6	Screw, Truss Head #8-32 x .25"
	36356.1007*	1	Panel 25.75" (8 mtg. hole) (ITCBA & ITCBB) (Not Available, Order 36356.1001)
	01311.0001	8	Screw, Truss Head #8-32 x .25"
	36356.1015*	1	Panel 25.75" (6 mtg. hole) (ITCBA & ITCBB) (Not Available, Order 36356.1014)
	01311.0001	6	Screw, Truss Head #8-32 x .25"
36356.1106	1	Panel w/Decals 29.0" SST (7 mtg. hole) (Includes items 14,15 & 24)	
36356.1107	1	Panel w/Decals 29.0" BLK (7 mtg. hole) (Includes items 14,15 & 24)	
36356.1108	1	Panel w/Decals 25.75" SST (7 mtg. hole) (Includes items 14,15 & 24)	
01311.0001	7	Screw, Truss Head #8-32 x .25"	

(continued)



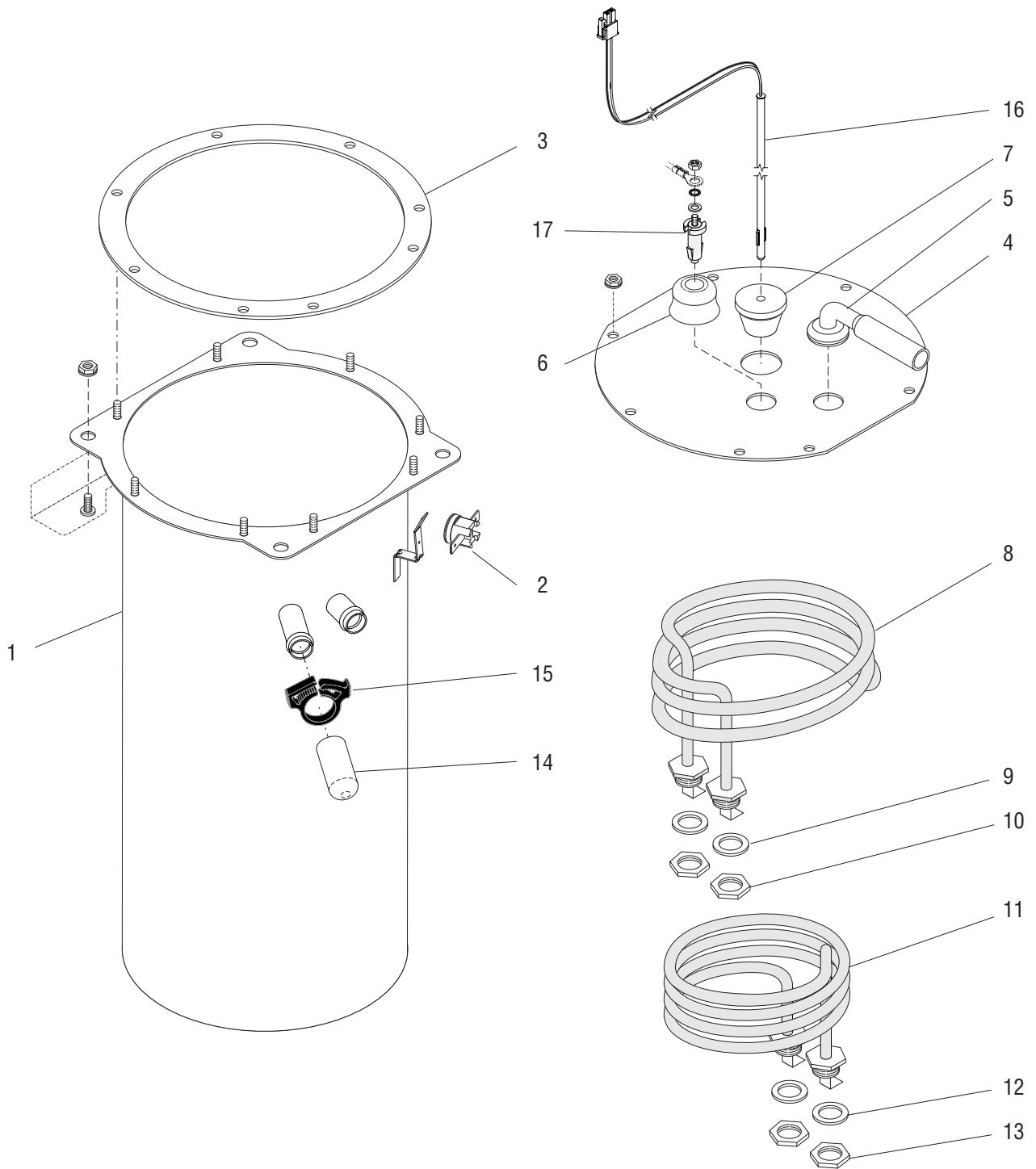
Note

Early models with 10 hole trunks:
The upper, middle, & lower holes
will line up with the 6 holes in the
current style trunks.



HOOD, TRUNK, BASE AND PANELS

ITEM	PART NO.	QTY.	DESCRIPTION
12	36460.0000	1	Schematic, ITCB-DV (120VAC, 120/240VAC) US & Canada
	36460.0001*	1	Schematic, ITCBA, ITCBB (200VAC, 230VAC)
	36460.0003	1	Schematic, ITCB-DV w/Optional Swtner Kit (120VAC, 120/240VAC) US & Canada
	36460.0004	1	Schematic, ITCB-DV w/Factory Sweetener (120VAC, 120/240VAC) US & Canada
13	34072.0000	1	Decal, Power Cord Warning
14	00986.0000	1	Decal, Warning - Electrical
15	00656.0000	1	Decal, Comply to Plumbing Code
16	36362.0000*	1	Base, Early Models w/Trim (Order New Style Base 36362.0001)
	36362.0001	1	Base, Models w/First Style Inlet Valve
	36362.0002	1	Base, Models w/Second Style Inlet Valve
17	25137.0001	4	Foot
	24600.0000	-	Foot Kit, Set of 4
18	36412.0000	1	Rail, Stop
	00970.0000	2	Nut, Keps #8-32
19	36461.0000	1	Guide Rail, Left
	00970.0000	2	Nut, Keps #8-32
20	36462.0000	1	Guide Rail, Right
	00970.0000	2	Nut, Keps #8-32
21	36361.0000	1	Trim, Base Cover
	01308.0002	2	Screw, Truss Head, Locking #6-32 x .25"
	02332.0005	2	Screw, Hex #6 x .38"
22	01592.0001	1	Snap Bushing
23	39175.0000	1	Decal, Warning Overlay Graphic
24	37881.0000	2	Decal, No Serviceable Parts
25	25151.0000	1	Shield, Insulator (Adhesive Back)
26	29504.0005	6	Shoulder Screw, 8-32 x .29
	00991.0000	6	Nut, Elastic Lock 8-32
27	34118.0001	1	Bracket, Tank Support
	01317.0003	2	Screw, Truss Head #8-32 x .375"



TANK & COMPONENTS

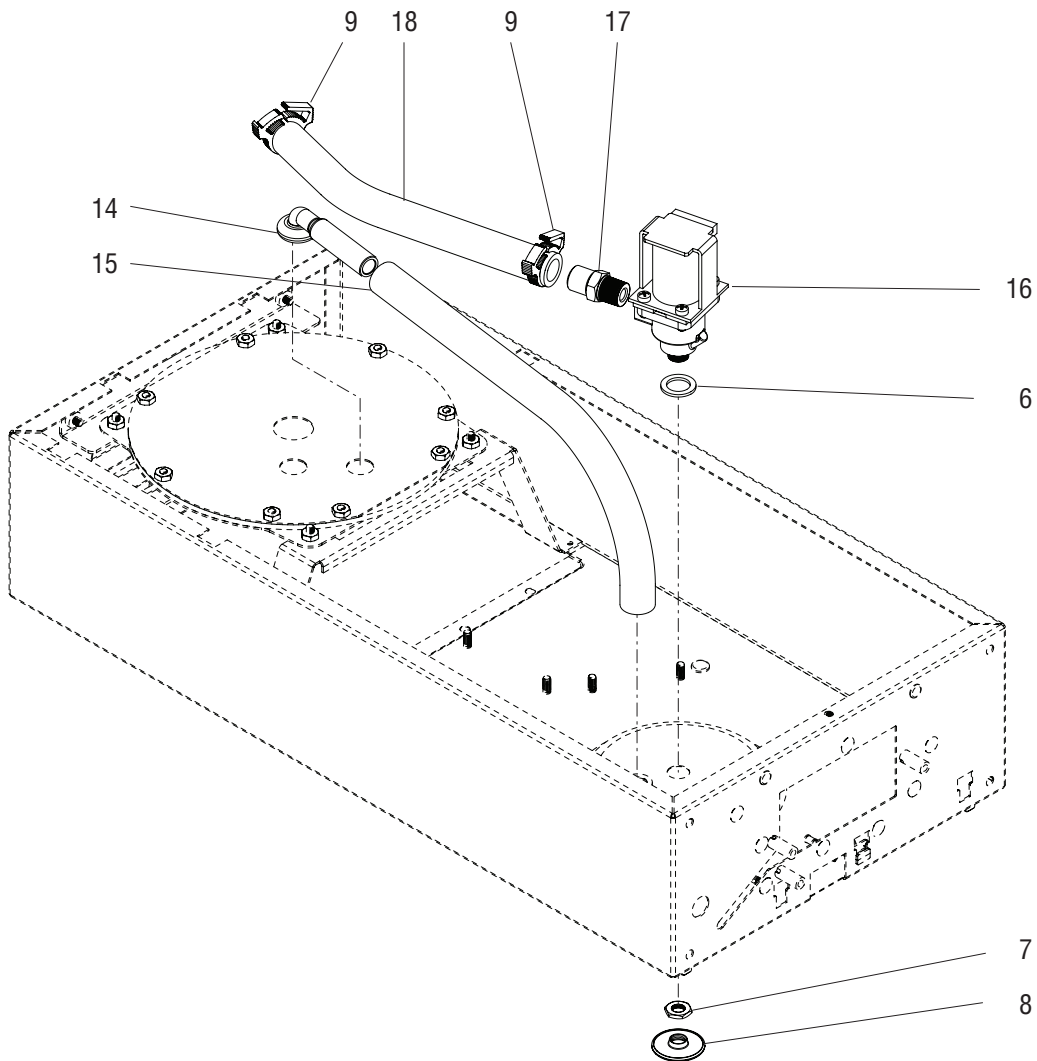
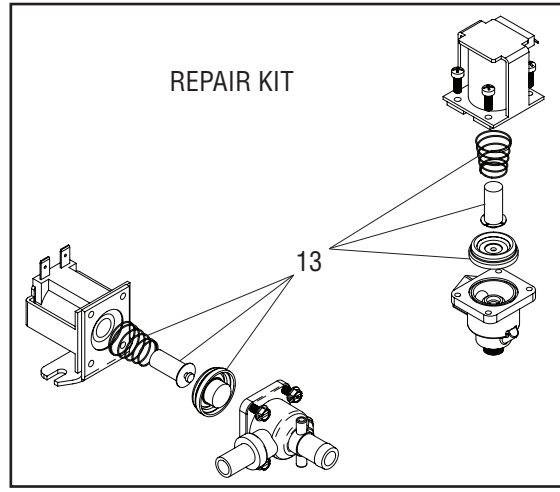
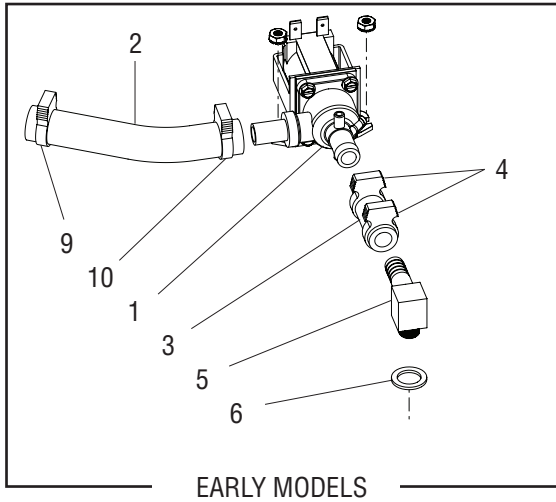
ITEM	PART NO.	QTY.	DESCRIPTION
1	33937.0004	1	Tank (Models ITCB-DV & ITCB-C-DV)
	33937.0003	1	Tank (Models ITCBA, 230V & ITCBB, 200V)
	00908.0000	4	Nut, Hex #8-32
2	29329.1000	1	Limit Thermostat
3	04221.0000	1	Gasket
4	28735.0000	1	Lid
	00908.0000	8	Nut, Hex #8-32
5	38969.0001	1	Fitting, 90° Silicone
6	38114.0000	1	Grommet, Liquid Level Probe
7	33801.0001	1	Grommet, Temp. Sensor
8	29485.1000	1	Tank Heater 1800W, 120V (Includes item 9) (Models ITCB-DV & ITCB-C-DV)
	05037.1000	1	Tank Heater 3500W, 230V (Includes item 9) (Models ITCBA, 230V)
	20942.1000	1	Tank Heater 3500W, 200V (Includes item 9) (Models ITCBB, 200V)
9	00943.0000	2	Gasket
10	00942.0000	2	Nut, Hex .50"-20
11	02755.1001	1	Tank Heater 1680W, 120V (Includes item 12) (Models ITCB-DV)
	02755.1000	1	Tank Heater 1425W, 120V (Includes item 12) (Models ITCB-C-DV)
12	00943.0000	2	Gasket
13	00942.0000	2	Nut, Hex .50"-20 (4 Used on DV Models)
14	29279.0000	1	Cap, Tube-Silicone
15	12422.0009	1	Clamp, Hose-Snap Type .71"-.80" ID
16	28891.1002	1	Probe Kit, Temperature and Dry Plug
17	07412.1002	1	Probe, Liquid Level
	01501.0000	1	Washer
	20203.0100	1	Lockwasher, Internal-tooth #8
	00908.0000	1	Nut, Hex #8-32

} Models without Faucet only

The following items are not illustrated

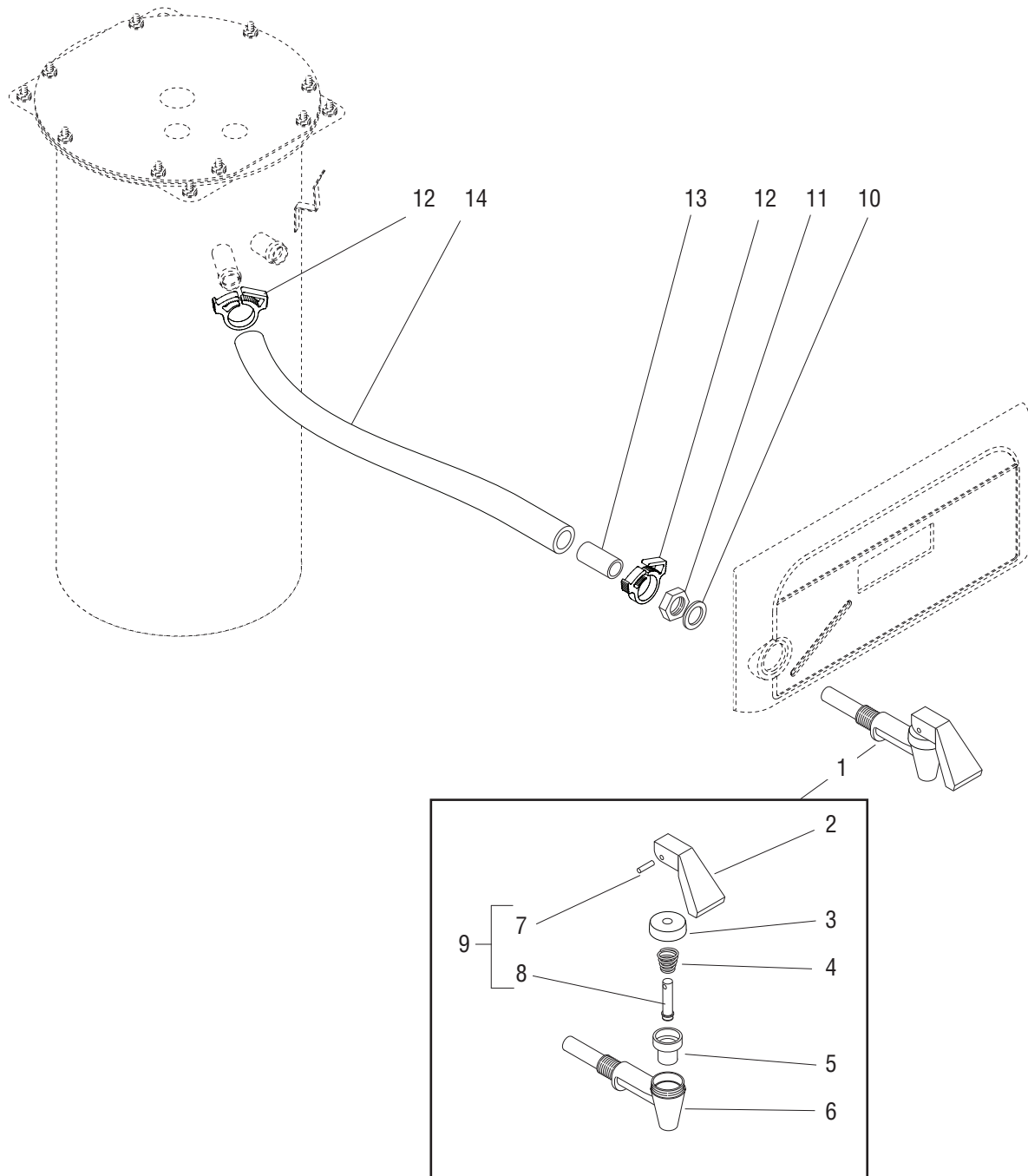
18	34074.1013	1	Kit, Tank Assembly ITCB-DV 1680/1800W
	34074.1014	1	Kit, Tank Assembly ITCBC 1425/1800W
	34074.1015	1	Kit, Tank Assembly ITCBA (GE) 3500W 240V
	34074.1017	1	Kit, Tank Assembly ITCBB 3500W 200V

* Indicates the part number listed is for reference only.



DISPENSE VALVE & SPRAYHEAD

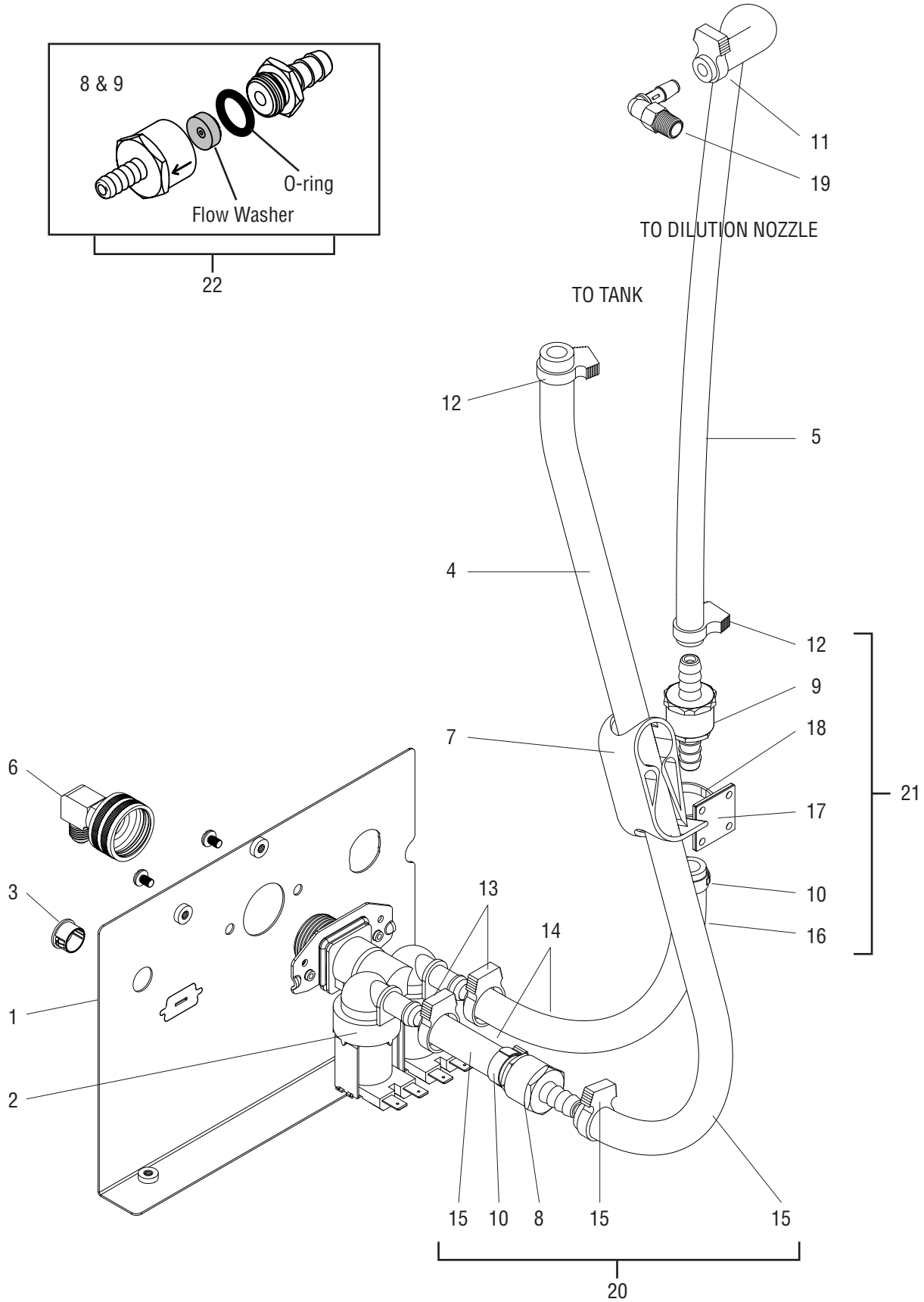
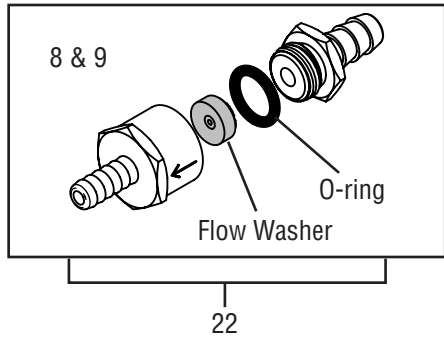
ITEM	PART NO.	QTY.	DESCRIPTION
1	27370.0000	1	Valve, Dispense (Models ITCB-DV)
	27370.0001	1	Valve, Dispense (Models ITCBB, 200V)
	27370.0002	1	Valve, Dispense (Models ITCBA, 230V)
	00970.0000	2	Nut, KEPS #8-32
2	32591.0006*	1	Tube .50" ID x 6.50" (Order item 12)
3	20976.0008*	1	Tube .375" ID x 1.60" (Order item 11)
4	12422.0001	2	Clamp, SNP-10
5	39149.0001	1	Fitting, Sprayhead
6	00943.0000	1	Gasket, Sprayhead Fitting
7	01075.0000	1	Nut, Hex .438"-20
8	01082.0000	1	Sprayhead, 6 Hole
	01082.0003	1	Sprayhead, 7 Hole
9	12422.0009	1-2	Clamp, SNP-14 (at Tank)
10	12422.0005	1	Clamp, SNP-12 (at Valve)
11	41499.1002	1	Dispense Tube Kit, Solenoid to Sprayhead, (Includes clamps)
12	41499.1006	1	Dispense Tube Kit, Tank to Solenoid, (Includes clamps)
13	11517.0008	1	Repair Kit, Dispense Valve (Includes Plunger, Spring and Diaphragm)
14	38969.0001	1	Fitting, 90° Silicone
15	32591.1001	1	Tube .50" ID x 12.0"
16	26846.0000	1	Valve, Dispense (120V)
	26846.0001	1	Valve, Dispense (200V)
	26846.0002	1	Valve, Dispense (240V)
17	34956.0004	1	Fitting
18	32591.0023*	1	Tube .50" ID x 7.88" (Order # 15)



FAUCET & LINES

ITEM	PART NO.	QTY.	DESCRIPTION
1	29075.0000	1	Faucet Assy (Includes items 2 thru 8)
2	02861.0003	1	Handle, Red w/Warning
3	02854.0000	1	Bonnet
4	02595.0000	1	Spring
5	02766.0000	1	Cup
6	02856.0005*	1	Body (Order item 1)
7	02858.0000	1	Pin, Spring
8	13054.0000	1	Stem
9	02594.0000	1	Faucet Stem w/Pin (Includes items 7 and 8)
10	01544.0000	1	Washer, .50" ID x .75" OD
11	29264.0000	1	Nut
12	12422.0009	2	Clamp, SNP-14
13	41193.0001*	1	Tube, Silicone .375" ID X 1.2" LG (Order item 15)
14	32591.0031*	1	Tube .50" ID x 14.0" (Order item 15)
15	41499.1005	1	Tube kit, Faucet (Includes items 12 - 14)

* Indicates the part number listed is for reference only.



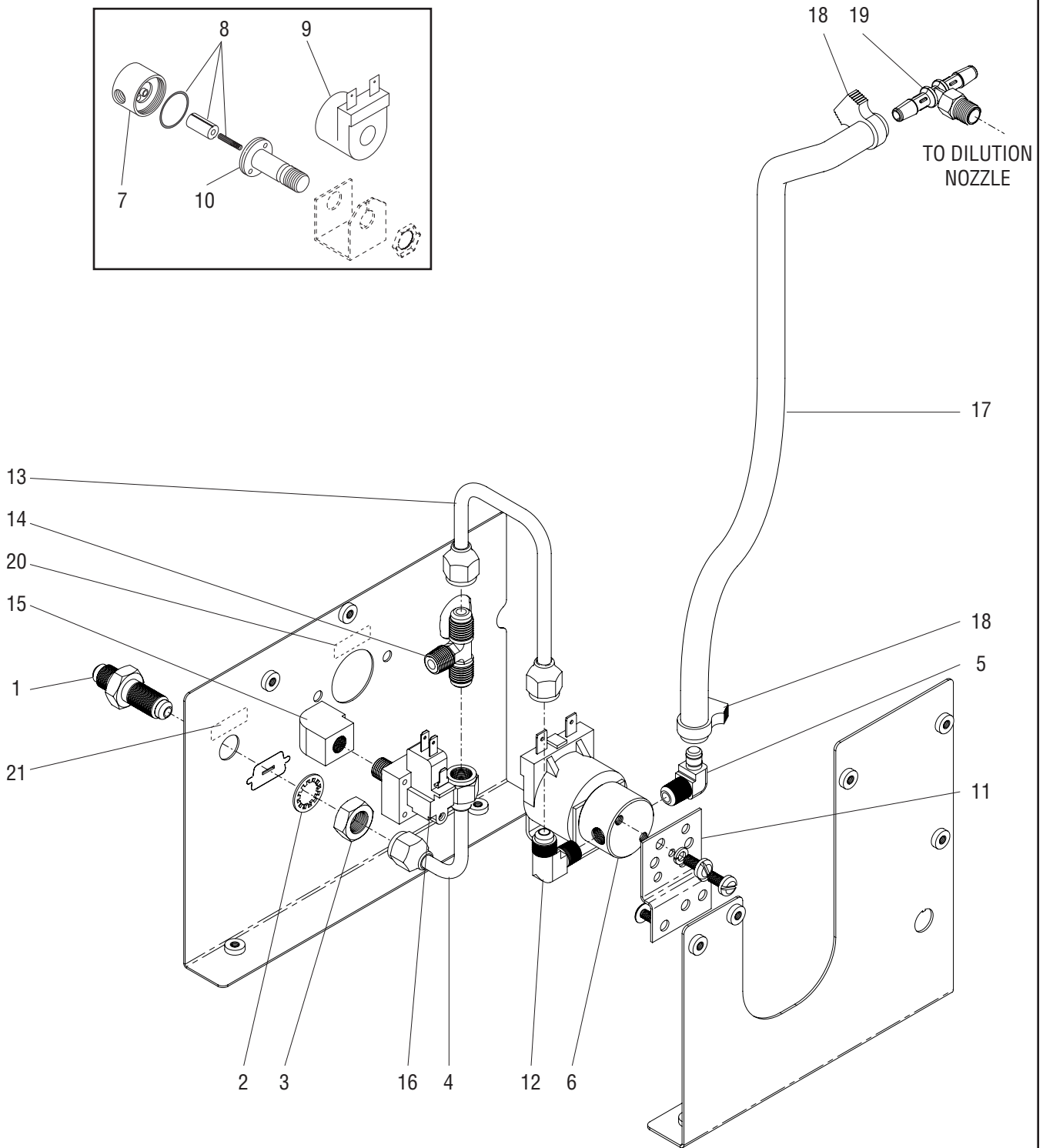
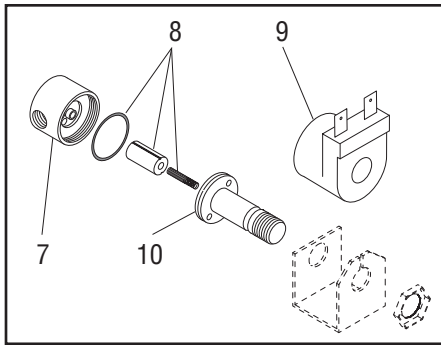
FILL, DILUTION & DRAIN - LATER MODELS

ITEM	PART NO.	QTY.	DESCRIPTION	
1	36421.0008	1	Bracket, Bulkhead	
2	43041.0000	1	Kit, Replacement Solenoid 120VAC	
	32283.0000	2	Screw, SST Slotted Panhead M4 X 6mm	
3	00669.0002	1	Plug, Hole-Nyl Blk .50hole Dia	
4	20976.0074*	1	Tube, Silicone .375 ID X 16.0 LG (29" Trunk)	(Order Item # 22)
	20976.0063*	1	Tube, Silicone .375 ID X 12.0 LG (25.75" Trunk)	
5	11707.0032*	1	Tube, Silicone .25 ID X 19.0 LG (29" Trunk)	(Order Item # 21)
	11707.0010*	1	Tube, Silicone .25 ID X 16.0 LG (25.75" Trunk)	
6	37297.0006	1	Elbow, .25 FLR X .75 Hose THD	
7	11630.0001	1	Clamp, Tubing Shut Off	
8	41595.1000	1	Flow Assy, Tnplt .50 Gpm .375 Outlet -.375 Inlet	
9	41595.1001	1	Flow Assy, Tnplt .50 Gpm .25 Outlet -.375 Inlet	
10	21275.0003	2	Clamp, Otiker # 17.0	
11	12422.0000	1	Clamp, Hose-Snap SNP-6	
12	12422.0006	1	Clamp, Hose-Snap SNP-8	
13	12422.0005	2	Clamp, Hose-Snap SNP-12	
14	34325.0003*	2	Hose, Flex .375 ID X 3.0 Braid (Order item 23)	
15	34325.0029*	1	Hose, Flex .375 ID X 8.75 Braid (Order item 23)	
16	22749.0000*	1	Pad, Mtg 1" Sq-Slfadh Cable Tie (Order item 21)	
17	36329.0002*	1	Tie, Cable-Nyl Blk 5.6lg .142w (Order item 21)	
18	40783.0000	1	Elbow, 1/8-27 Npt To 1/4" Barb (Also included w/dilution nozzle) (Non Sweetener)	
	40784.0000	1	Tee, 1/8-27 Npt Hex Hd 1/4" Barb (w/Sweetener)	
19	41665.1000	1	Tube Kit, Dilution (Includes tubes, clamp, flow control, pad & tie)	
20	20526.2500	1	Repair Kit, Flow Control (Includes O-ring & flow washer)	

The following items are not illustrated

21	11707.1001	-	Tube, Silicone .25" ID x 3 Feet (Use as required)
	11707.1002	-	Tube, Silicone .25" ID x 10 Feet (Use as required)
22	20976.1000	-	Tube, Silicone .375" ID x 1 Foot (Use as required)
	20976.1001	-	Tube, Silicone .375" ID x 3 Feet (Use as required)
	20976.1002	-	Tube, Silicone .375" ID x 10 Feet (Use as required)
23	34325.1000	-	Tube, Silicone .375" ID x 1 Foot (Use as required)
	34325.1001	-	Tube, Silicone .375" ID x 3 Feet (Use as required)
	34325.1002	-	Tube, Silicone .375" ID x 10 Feet (Use as required)

* Indicates the part number listed is for reference only.



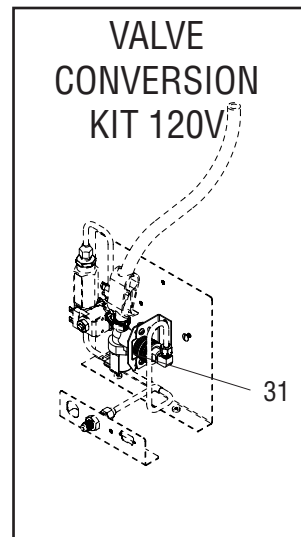
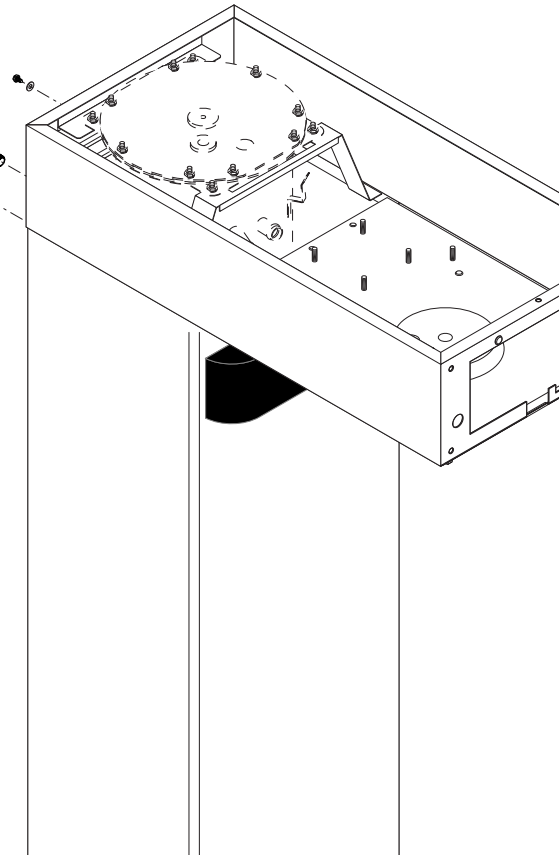
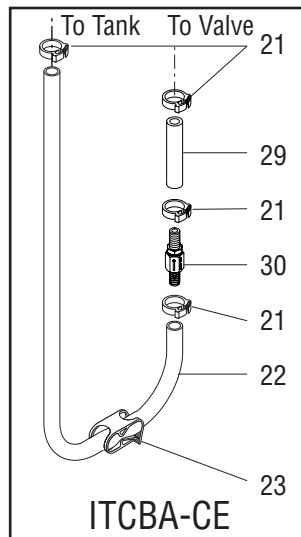
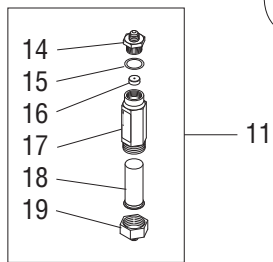
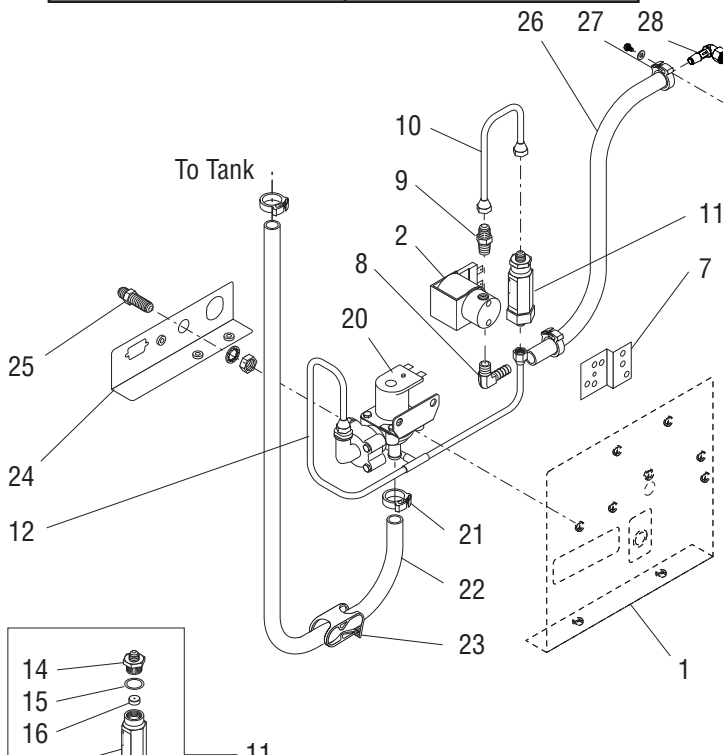
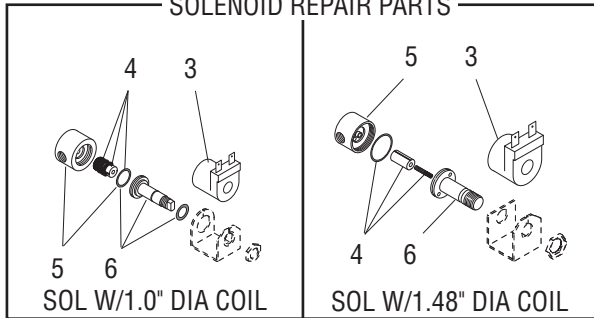
MODELS w/ SWEETENER

ITEM	PART NO.	QTY.	DESCRIPTION
1	00459.0000	1	Fitting, Bulkhead .250" Flare
2	01532.0000	1	Lockwasher, Internal Tooth .438"
3	00463.0000	1	Nut, Hex - Brass .438"-20
4	00310.0005	1	Tube Assy,
5	00464.0001	1	Elbow, Male-Tnpl.25 Barbx.
6	01085.0000	2	Solenoid Valve, 120V (Includes items 11 - 14)
	01327.0000	4	Screw, Pan Head #10-32 x .375"
	01502.0000	4	Lockwasher, Split #10
7	01079.0000	1	Solenoid Valve Base
8	01111.0000	1	Solenoid Valve Repair Kit (Includes Plunger, Seal and Spring)
9	01101.0000	1	Solenoid Valve Coil, 120V
10	01116.0000	1	Guide
11	07441.0000	2	Bracket
	01315.0000	4	Screw, Truss Head #8-32 x .38"
12	00400.0001	1	Elbow .25" Flare x .125"MPT
13	36459.0001	1	Tube Assy.
14	00431.0001	1	Tee, Male Br-Tn Pl.25flrx
15	00435.0001	1	Elbow, Tin Pld .125npt F
16	38379.1000	1	Switch, Pressure-Low Sweet
17	11707.0010*	1	Tube, Silicone .250" I.D. x 16.0" LG (25.75" Trunk)
	11707.0032*	1	Tube, Silicone .250" I.D. x 19.0" LG (29" Trunk) (Order Item # 22)
18	12422.0000	2	Clamp, Hose - SNP 6
19	40784.0000	1	Tee, 1/8-27 Npt Hex Hd 1/4" Barb (w/Sweetener)
	40783.0000	1	Elbow, 1/8-27 Npt To 1/4" Barb (Also included w/dilution nozzle) (Non Sweetener)
20	26371.0000	1	Decal, Water Inlet (Models w/Sweetener)
21	26371.0001	1	Decal, Sweetener Inlet (Models w/Sweetener)

The following items are not illustrated

22	11707.1001	-	Tube, Silicone .250" I.D. x .50" O.D. x 36" LG
	11707.1002	-	Tube, Silicone .250" I.D. x .50" O.D. x 120" LG
23	40203.0000	1	Tube Assy, Product Empty (Includes 4-17)

SOLENOID REPAIR PARTS



FILL, DILUTION & TANK DRAIN - EARLY ITCB-DV & ALL ITCBA-CE

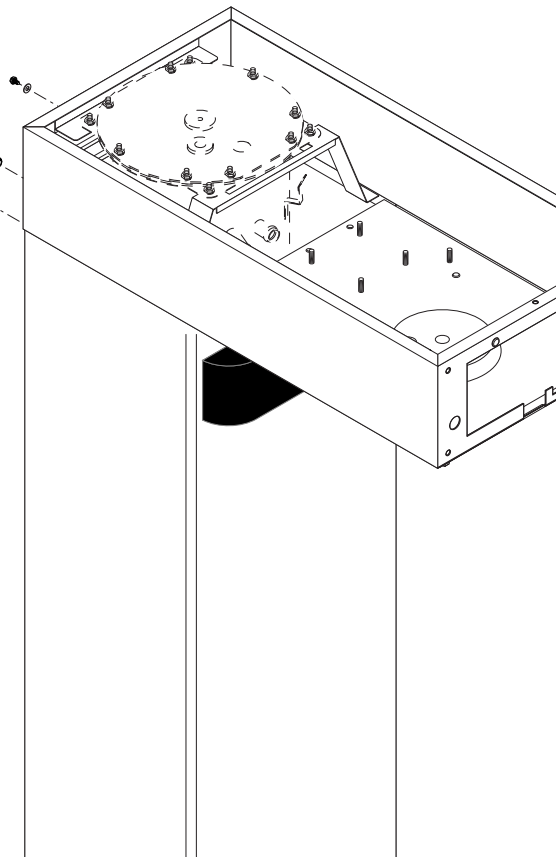
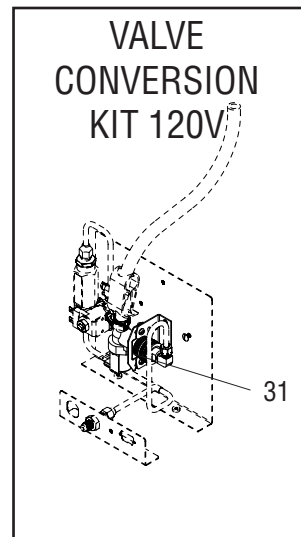
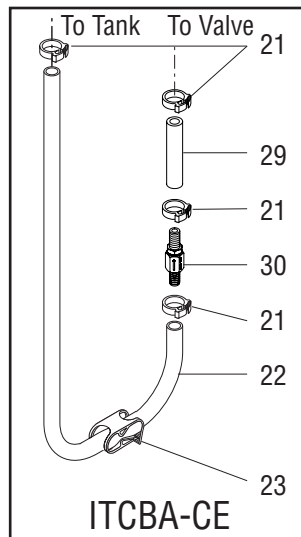
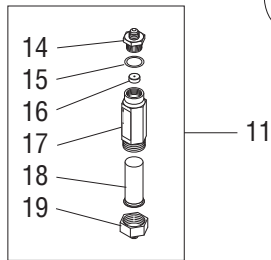
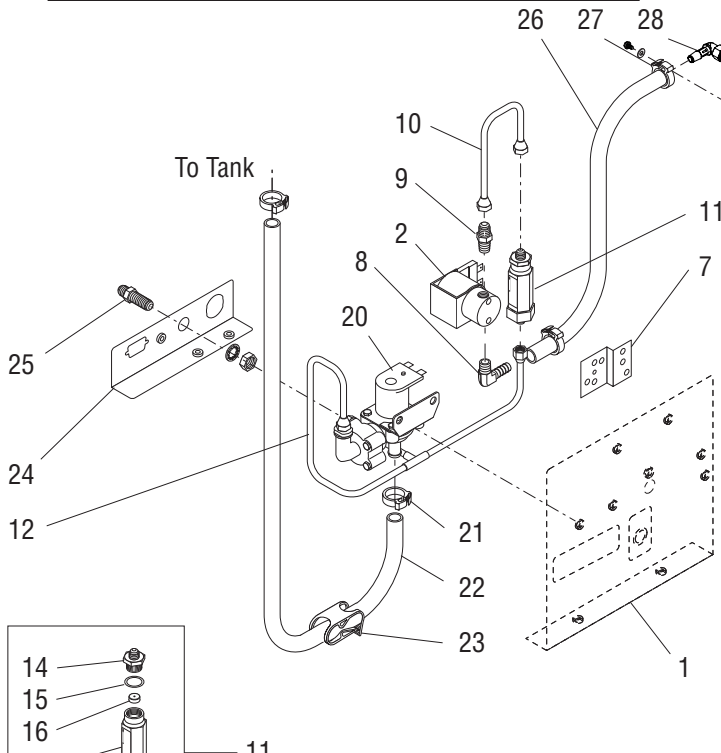
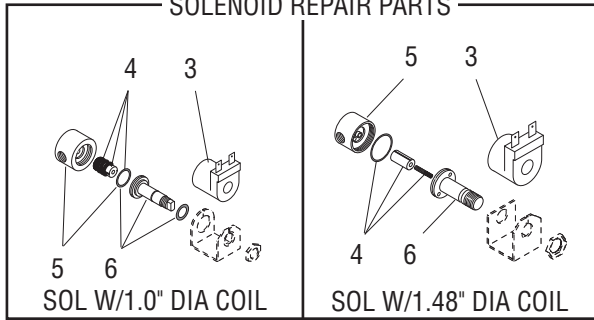
ITEM	PART NO.	QTY.	DESCRIPTION	
1	-----	1	Bracket (See ELECTRICAL & OPERATING CONTROLS)	
2	01085.0000	1	Solenoid Valve, 120V (1.48" Dia Coil) (All DV Models)	} Includes items 3 thru 6
	01085.0002	1	Solenoid Valve, 120V (1.0" Dia Coil) (All DV Models)	
	21180.0000	1	Solenoid Valve, 200V (Models ITCBB)	
	01975.0000	1	Solenoid Valve, 230V (Models ITCBA)	
	01327.0000	2	Screw, Pan Head #10-32 x .375"	
	01502.0000	2	Lockwasher, Split #10	
3	01101.0000	1	Solenoid Valve Coil, 120V - 1.48" Dia (Models ITCB-DV & ITCB-C-DV)	
	28480.0000	1	Solenoid Valve Coil, 120V - 1.0" Dia (Models ITCB-DV & ITCB-C-DV)	
	21181.0000	1	Solenoid Valve Coil (Models ITCBB, 200V)	
	01100.0000	1	Solenoid Valve Coil (Models ITCBA, 230V)	
4	01111.0000	1	Solenoid Valve Repair Kit - 1.48" Dia Coil (Includes Plunger, Seal and Spring)	
	01111.0002	1	Solenoid Valve Repair Kit - 1.0" Dia Coil (Includes Plunger, Spring and O-ring)	
5	01079.0000	1	Solenoid Valve Base - 1.48" Dia Coil	
	28479.0000	1	Solenoid Valve Base Kit - 1.0" Dia Coil (Includes O-ring)	
6	01116.0000	1	Sleeve Assy, Solenoid Valve - 1.48" Dia Coil	
	28481.0000	1	Solenoid Guide/O-Ring Kit - 1.0" Dia Coil (Includes Washer & O-ring)	
7	07441.0000	1	Bracket	
	01315.0000	2	Screw, Truss Head #8-32 x .38"	
8	00464.0001	1	Elbow .25" Barb x .125" MPT	
9	00402.0001	1	Connector .25" Flare x .125" MPT	
10	36459.0000	1	Tube	} 13
11	22300.0500	1	Strainer/Flow Control (Includes items 14 - 19)	
12	36464.0001	1	Tube	
13	37064.0001	1	Water Manifold Assembly (Includes items 10 - 12)	
14	01154.0000	1	Flow Control Outlet	
15	01155.0000	1	Gasket	
16	20526.1500	1	Flow Washer and Gasket (Includes item 15)	
17	-----	1	Body (Order item 11)	
18	23721.0000	1	Screen	
19	22249.0000	1	End Cap	
20	28750.0000	1	Valve, Water Inlet 120V (Models ITCB-DV & ITCB-C-DV)	
	28750.0003	1	Valve, Water Inlet 200V (Models ITCBB)	
	28750.0001	1	Valve, Water Inlet 230V (Models ITCBA)	
	39975.0000	1	Kit, Valve Repair (Includes Guide, Spring, Plunger, & Diaphragm)	
	01315.0000	2	Screw, Truss Head #8-32 x .38"	
21	12422.0001	2	Clamp, SNP-10 (2 Additional used for CE)	

(Continued)

* Indicates the part number listed is for reference only.

(Continued)

SOLENOID REPAIR PARTS



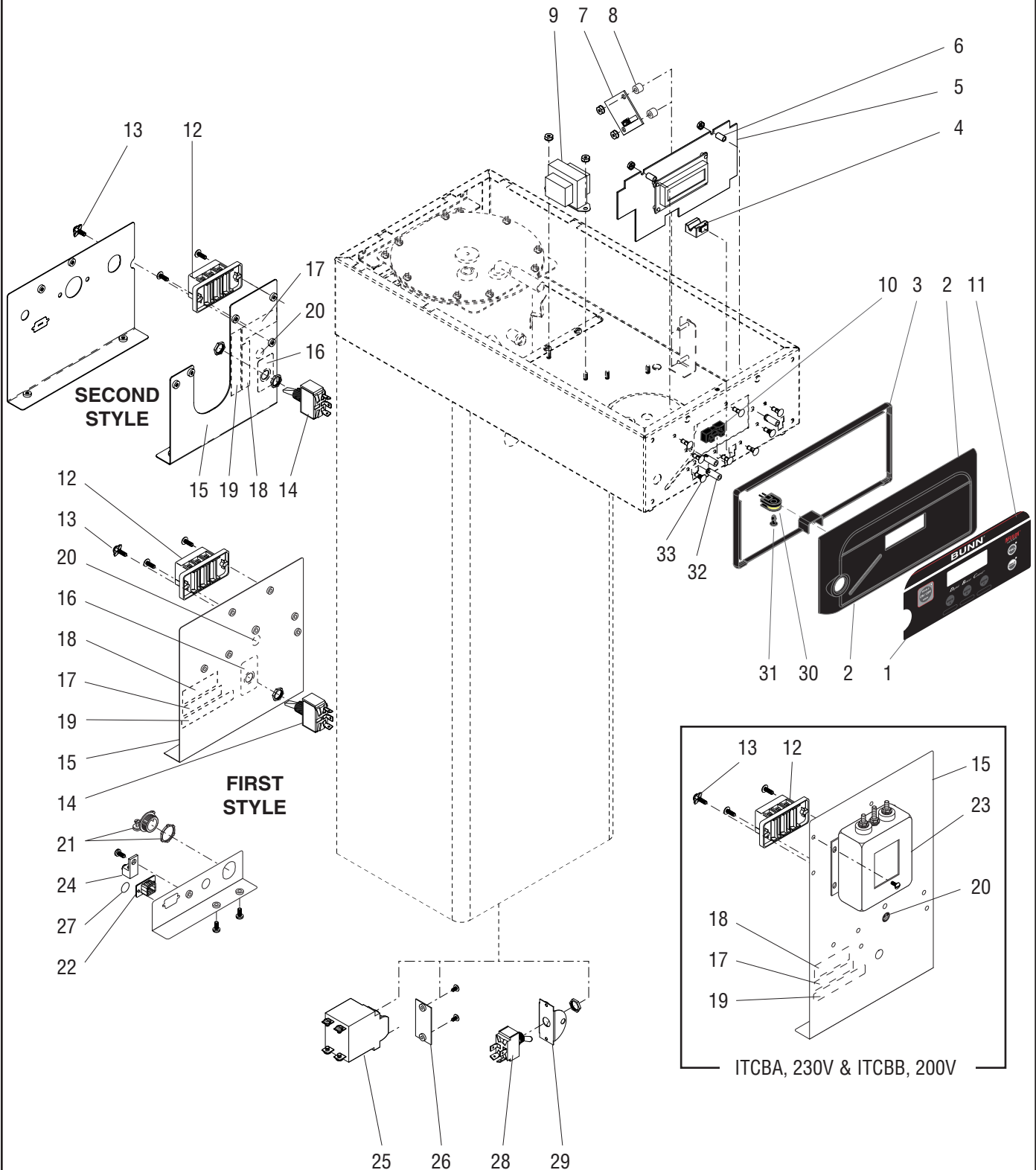
FILL, DILUTION & TANK DRAIN - EARLY ITCB-DV & ALL ITCBA-CE

ITEM	PART NO.	QTY.	DESCRIPTION
22	20976.0074*	1	Tube, Silicone .375" ID x 20.0" (ITCB-DV with 25.75" Trunk)
	20976.0070*	1	Tube, Silicone .375" ID x 23.5" (ITCB-DV with 29.0" Trunk)
	20976.0068*	1	Tube, Silicone .375" ID x 19.0" (ITCBA CE with 25.75" Trunk)
	20976.0074*	1	Tube, Silicone .375" ID x 20.0" (ITCBA CE with 29.0" Trunk)
			(Order item 33)
23	11630.0001	1	Clamp
24	36421.1003	1	Bracket
	02308.0000	2	Screw, Pan Head #8-32 x .38"
25	00459.0000	1	Fitting, Bulkhead .25" Flare
	01532.0000	1	Lockwasher, Internal-Tooth .438"
	00463.0000	1	Nut, Hex - Brass .438"-20
26	11707.0012*	1	Tube, Silicone .25" x 23.0" (Models with 25.75" Trunk)
	11707.0027*	1	Tube, Silicone .25" x 26.0" (Models with 29.0" Trunk)
			(Order item 32)
27	12422.0000	2	Clamp, SNP-6
28	40783.0000	1	Elbow, 1/8-27 Npt To 1/4" Barb
29	20976.0025*	1	Tube, Silicone .375" ID x 3.0" (All ITCBA CE)
			(Order item 33)
30	40071.0001	1	Check Valve, SST .375" Barb
31	41579.1001	-	Kit, Solenoid Conversion 120V (Includes Valve, Bracket, Hardware & Instructions)

The following items are not illustrated

32	11707.1000	-	Tube, Silicone .25" ID x 12.0" (Use as required)
	11707.1001	-	Tube, Silicone .25" ID x 36.0" (Use as required)
	11707.1002	-	Tube, Silicone .25" ID x 120.0" (Use as required)
33	20976.1000	-	Tube, Silicone .375" ID x 12.0" (Use as required)
	20976.1001	-	Tube, Silicone .375" ID x 36.0" (Use as required)
	20976.1002	-	Tube, Silicone .375" ID x 120.0" (Use as required)

* Indicates the part number listed is for reference only.



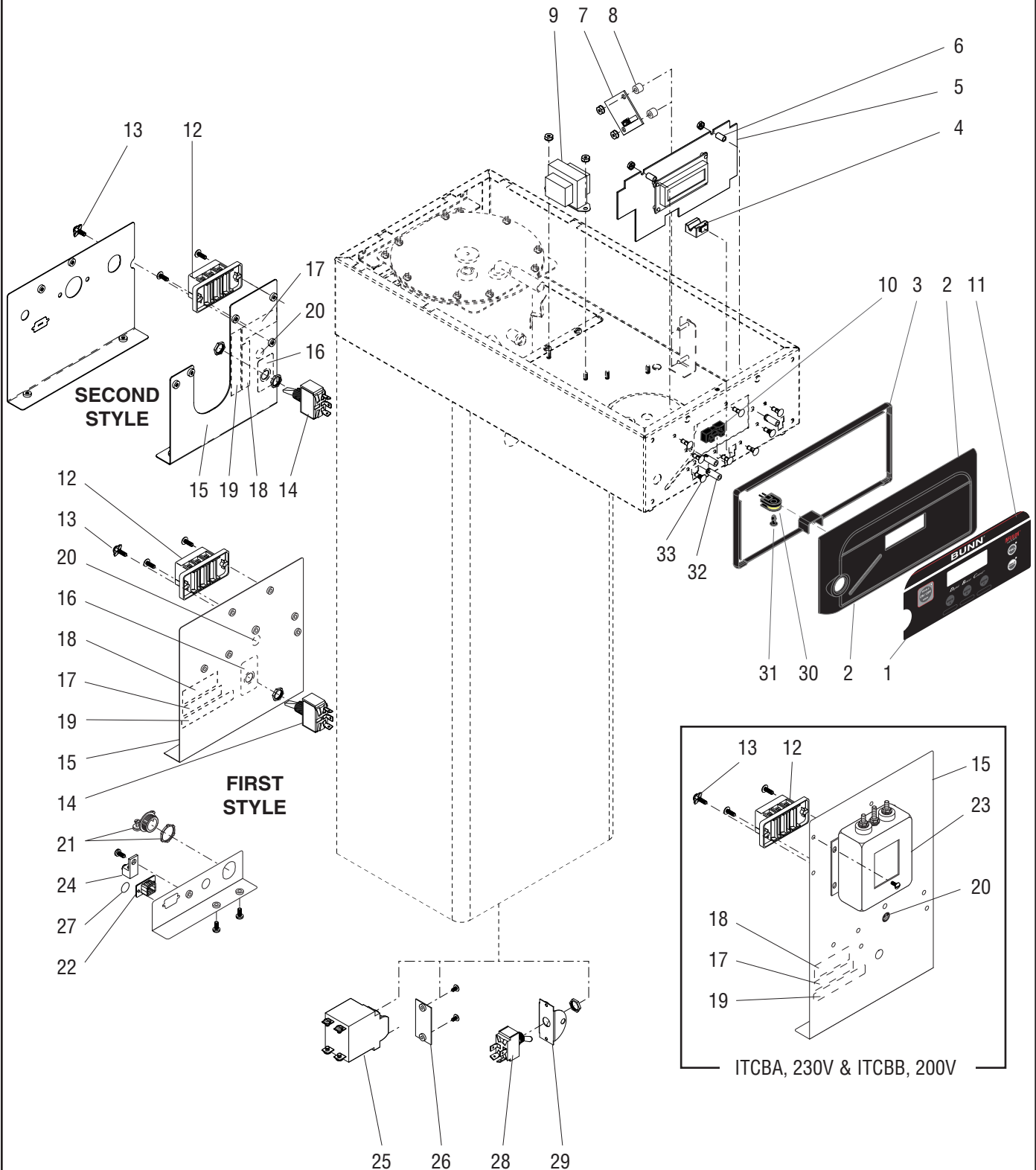
ELECTRICAL & OPERATING CONTROLS

ITEM	PART NO.	QTY.	DESCRIPTION	
1	36367.0000	1	Membrane Switch	
2	36359.1001	1	Bezel Kit (Includes Membrane Switch & Decal)	
	36359.1101	1	Bezel Kit (Includes Membrane Switch, Decal, Gasket, & Sensing Coil-Assembled)	
	02308.0000	4	Screw, Pan Head #8-32 x .38"	
3	36364.0000	1	Gasket	
4	36366.0000	1	Mount, Board (2 Used on Early Models)	
5	36373.1010	1	Control Board (RoHS)	
	36373.1012	1	Control Board w/Sweetener (RoHS)	
	00973.0000	2	Nut, Keps #6-32	
6	01533.0011	2	Spacer	
7	38712.1000	1	Memory Circuit Board (RoHS)	} (Early models Only)
	00970.0000	2	Nut, Keps #8-32	
8	01533.0002	2	Spacer	
9	34307.1001	1	Transformer (Models ITCB-DV & ITCB-C-DV)	
	34307.1003	1	Transformer (Models ITCBB, 200V)	
	34307.1002	1	Transformer (Models ITCBA, 230V)	
	00970.0000	2	Nut, Keps #8-32	
10	36587.0000	1	Plug, Bezel	
11	36368.0000	1	Decal, Top	
12	07038.0000	1	Terminal Block (Models ITCB-DV & ITCB-C-DV)	
	01106.0001	1	Terminal Block (Models ITCBB, 200V)	
	01106.0003	1	Terminal Block (Models ITCBA, 230V)	
	01317.0000	2	Screw, Truss Head #8-32 x .50"	
13	01327.0000	1	Screw, Grounding #10-32 x .38" (Early models)	
	37804.0000	1	Screw, Grounding #8-32 x .50" (Late models)	
14	23522.0001	1	Switch, Toggle (Dual Voltage Brewers only)	
15	36420.1000	1	Bracket w/Decals (Incls items 13 & 16-20) (Models ITCB-DV & ITCB-C-DV)	
	37482.1001	1	Bracket w/Decals (Incls items 13 & 17-20) (Models ITCBA, 230V & ITCBB, 200V)	
	38344.1101	1	Bracket w/Decals (Incls items 13 & 16-20) (Models ITCB-DV Second Style)	
	02308.0000	2	Screw, Pan Head #8-32 x .38"	
16	34056.0001	1	Decal, Voltage Selection (ICB-DV models only)	
17	00985.0000	1	Decal, Individual Circuit Info	
18	00870.0000*	1	Decal, Use Copper Wire Only	
19	12394.0002*	1	Decal, Supply Connection	
20	00824.0000	2	Decal, Ground	
21	01685.0000	1	Connector, Cable	
22	36398.0000	1	Hole Plug	
23	29446.0003	1	EMI Filter (Models ITCBA, 230V)	
	01347.0000	4	Screw, Truss Head #6-32 x .38"	

(Continued)

* Indicates the part number listed is for reference only.

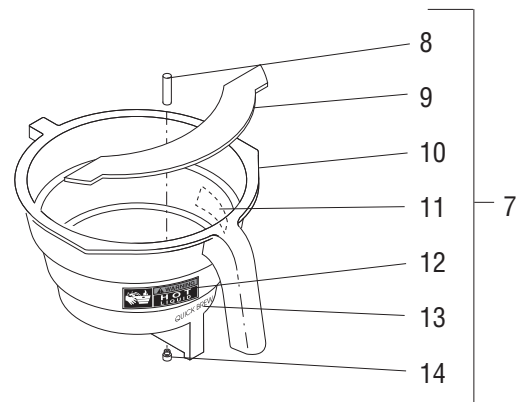
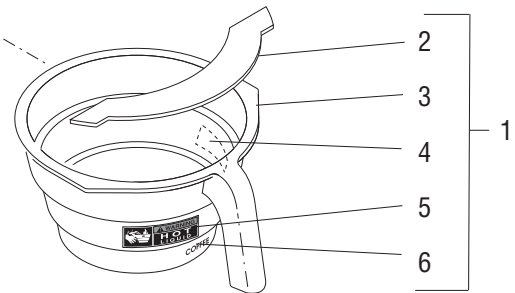
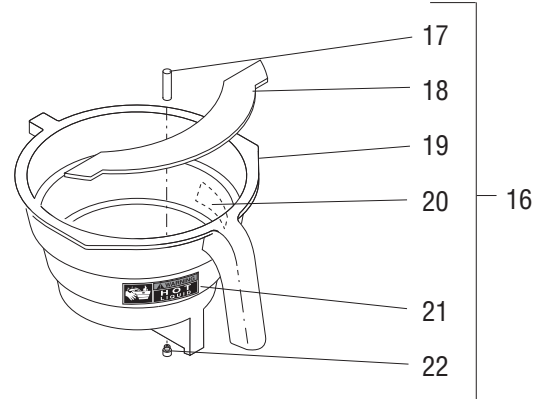
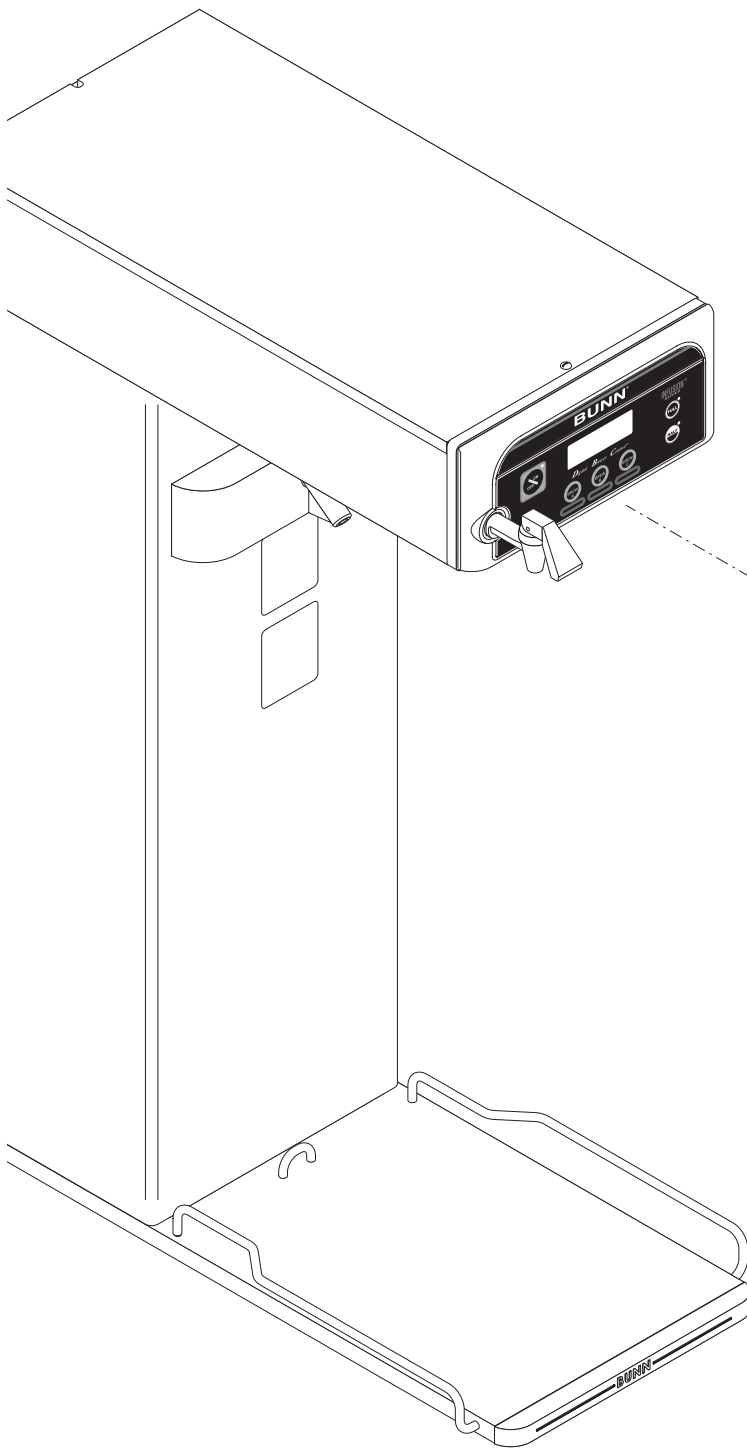
(Continued)



ELECTRICAL & OPERATING CONTROLS

ITEM	PART NO.	QTY.	DESCRIPTION
24	27705.0000	1	Terminal Lug (Models ITCBA, 230V & ITCBB, 200V)
	02308.0000	1	Screw, Pan Head #8-32 x .38"
25	38894.0001	1	Switch, Rocker 125/250V 50A Double Pole
	01308.0002	2	Screw, Truss Head, Locking #6-32 x .25"
26	38820.0000	1	Cover Plate (Models w/out Switch)
	01308.0002	2	Screw, Truss Head, Locking #6-32 x .25"
27	00824.0001	1	Decal, Equipotentiality (CE Only)
28	40763.0001	1	Switch, Toggle DPST
	23697.0000	1	Facenut
29	25102.0000	1	Bracket, Switch Indicator/Guard
30	32572.1000	1	Sensing Coil
31	35956.0000	1	Fastener
32	29081.0004	3	Spacer
33	42234.0000	8	Standoff
The following items are not illustrated			
34	36674.0000	1	Wiring Harness, Liquid Level Probe
	36674.0001	1	Wiring Harness, Liquid Level Probe with Sweetener Pressure Switch
35	20630.0005	1	Power Cord (Dual Voltage Models only)
36	36675.0000	1	Wiring Harness, Sensing Coil
37	36676.0000	1	Wiring Harness, Memory Board (Early Models)
38	36677.0000*	1	Wiring Harness, Main (DV Models only) NO LONGER AVAILABLE
	36677.0002	1	Wiring Harness, Main (Models ITCBA, 230V & ITCBB, 200V)
	36677.0010	1	Wiring Harness, Main (DV Models only) w/Rocker Switch NO LONGER AVAILABLE
39	06064.0000	1	Decal, Cord Warning
40	34707.0004	1	Wiring Harness, EMI Filter to Terminal block (Models ITCBA, 230V & ITCBB, 200V)
41	40081.0000*	1	Wiring Harness, Rocker Sw to Term Blk (13") NO LONGER AVAILABLE
	40081.0001*	1	Wiring Harness, Rocker Sw to Term Blk (18") NO LONGER AVAILABLE
	40081.0002	1	Wiring Harness, Toggle Switch to Term Blk (13")
	40081.0003	1	Wiring Harness, Toggle Switch to Term Blk (6")
42	41587.0000	1	Wiring Harness, w/Factory installed Sweetener Solenoid to Dilution Solenoid-CBA

* Indicates the part number listed is for reference only.



FUNNELS

ITEM	PART NO.	QTY.	DESCRIPTION
1	03021.0008	1	Funnel Assembly, Coffee-Black (Includes items 2 thru 6)
2	32965.0000	1	Splashguard
3	-----	1	Funnel, Coffee-Black (Not Available. Order item 1)
4	03408.0000	1	Decal, Caution - REMOVE FUNNEL
5	03409.0000	1	Decal, Caution - HOT LIQUID
6	20269.0000	1	Decal, COFFEE
7	03021.0005	1	Funnel Assembly, Brew Tea - Smoke (Includes items 8 thru 14)
8	03284.0000	1	Adapter W/Screen, Funnel (See item 15)
9	32965.0000	1	Splashguard
10	-----	1	Funnel, Brew Tea - Smoke (Not Available. Order item 7)
11	03408.0000	1	Decal, Caution - REMOVE FUNNEL
12	03409.0000	1	Decal, Caution - HOT LIQUID
13	03536.0000	1	Decal, QUICK BREW
14	03407.0002	1	Funnel Tip, .114" Dia (See item 15)
15	01037.0003	-	Funnel Tip & Screen Kit (Includes items 8 & 14)
16	03021.0004	1	Funnel Assembly, Brew Tea - Smoke (Includes items 17 thru 22)
17	03284.0000	1	Adapter W/Screen, Funnel (See item 23)
18	32965.0000	1	Splashguard
19	-----	1	Funnel, Brew Tea - Smoke (Not Available. Order item 7)
20	03408.0000	1	Decal, Caution - REMOVE FUNNEL
21	03409.0000	1	Decal, Caution - HOT LIQUID
22	03407.0000	1	Funnel Tip, .082" Dia (See item 23)
23	01037.0002	-	Funnel Tip & Screen Kit (Includes items 17 & 22)

NUMERICAL INDEX

PART NO.	PAGE NO.	PART NO.	PAGE NO.	PART NO.	PAGE NO.	PART NO.	PAGE NO.
00310.0005.....	17	02308.0000.....	5,21	20976.1001.....	15,21	34074.1015.....	9
00400.0001.....	17	02308.0000.....	23,25	20976.1002.....	15,21	34074.1017.....	9
00402.0001.....	19	02332.0005.....	5,7	21180.0000.....	19	34118.0001.....	7
00431.0001.....	17	02594.0000.....	13	21181.0000.....	19	34307.1001.....	23
00435.0001.....	17	02595.0000.....	13	21275.0003.....	15	34307.1002.....	23
00459.0000.....	17,21	02755.1000.....	9	22249.0000.....	19	34307.1003.....	23
00463.0000.....	17,21	02755.1001.....	9	22300.0500.....	19	34325.0003.....	15
00464.0001.....	17,19	02766.0000.....	13	22749.0000.....	15	34325.0029.....	15
00656.0000.....	7	02854.0000.....	13	23522.0001.....	23	34325.1000.....	15
00658.0000.....	5	02856.0005.....	13	23697.0000.....	25	34325.1001.....	15
00669.0002.....	15	02858.0000.....	13	23721.0000.....	19	34325.1002.....	15
00824.0000.....	23	02861.0003.....	13	24600.0000.....	7	34707.0004.....	25
00824.0001.....	25	03021.0004.....	27	25102.0000.....	25	34956.0004.....	11
00870.0000.....	23	03021.0005.....	27	25137.0001.....	7	35956.0000.....	25
00908.0000.....	9	03021.0008.....	27	25151.0000.....	7	36329.0002.....	15
00942.0000.....	9	03284.0000.....	27	26371.0000.....	17	36353.1000.....	5
00943.0000.....	9,11	03407.0000.....	27	26371.0001.....	17	36353.1001.....	5
00970.0000.....	7,11,23	03407.0002.....	27	26846.0000.....	11	36353.1007.....	5
00973.0000.....	23	03408.0000.....	27	26846.0001.....	11	36353.1008.....	5
00985.0000.....	23	03409.0000.....	27	26846.0002.....	11	36353.1009.....	5
00986.0000.....	7	03536.0000.....	27	27370.0000.....	11	36353.1010.....	5
00991.0000.....	7	04221.0000.....	9	27370.0001.....	11	36353.1016.....	5
01037.0002.....	27	05037.1000.....	9	27370.0002.....	11	36353.1017.....	5
01037.0003.....	27	06064.0000.....	25	27705.0000.....	25	36354.0001.....	5
01075.0000.....	11	07038.0000.....	23	28479.0000.....	19	36354.0004.....	5
01079.0000.....	17,19	07412.1002.....	9	28480.0000.....	19	36355.1006.....	5
01082.0000.....	11	07441.0000.....	17,19	28481.0000.....	19	36356.1000.....	5
01082.0003.....	11	11517.0008.....	11	28735.0000.....	9	36356.1001.....	5
01085.0000.....	17,19	11630.0001.....	15,21	28750.0000.....	19	36356.1006.....	5
01085.0002.....	19	11707.0010.....	15,17	28750.0001.....	19	36356.1007.....	5
01100.0000.....	19	11707.0012.....	21	28750.0003.....	19	36356.1008.....	5
01101.0000.....	17,19	11707.0027.....	21	28891.1002.....	9	36356.1013.....	5
01106.0001.....	23	11707.0032.....	15,17	29075.0000.....	13	36356.1014.....	5
01106.0003.....	23	11707.1000.....	21	29081.0004.....	25	36356.1015.....	5
01111.0000.....	17,19	11707.1001.....	15,17,21	29264.0000.....	13	36356.1106.....	5
01111.0002.....	19	11707.1002.....	15,17,21	29279.0000.....	9	36356.1107.....	5
01116.0000.....	17,19	12394.0002.....	23	29329.1000.....	9	36356.1108.....	5
01154.0000.....	19	12422.0000.....	15,17,21	29446.0003.....	23	36359.1001.....	23
01155.0000.....	19	12422.0001.....	11,19	29485.1000.....	9	36359.1101.....	23
01308.0000.....	5	12422.0005.....	11,15	29504.0005.....	7	36360.1001.....	5
01308.0002.....	7,25	12422.0006.....	15	29710.0009.....	5	36360.1002.....	5
01311.0001.....	5	12422.0009.....	9,11,13	29710.0010.....	5	36361.0000.....	7
01315.0000.....	17,19	13054.0000.....	13	32283.0000.....	15	36362.0000.....	7
01317.0000.....	23	20203.0100.....	9	32572.1000.....	25	36362.0001.....	7
01317.0003.....	7	20269.0000.....	27	32591.0006.....	11	36362.0002.....	7
01327.0000.....	17,19,23	20526.1500.....	19	32591.0023.....	11	36364.0000.....	23
01347.0000.....	23	20526.2500.....	15	32591.0031.....	13	36366.0000.....	23
01501.0000.....	9	20630.0005.....	25	32591.1001.....	11	36367.0000.....	23
01502.0000.....	17,19	20942.1000.....	9	32965.0000.....	27	36368.0000.....	23
01532.0000.....	17,21	20976.0008.....	11	33801.0001.....	9	36373.1010.....	23
01533.0002.....	23	20976.0025.....	21	33937.0003.....	9	36373.1012.....	23
01533.0011.....	23	20976.0063.....	15	33937.0004.....	9	36398.0000.....	23
01544.0000.....	13	20976.0068.....	21	34056.0001.....	23	36412.0000.....	7
01592.0001.....	7	20976.0070.....	21	34072.0000.....	7	36420.1000.....	23
01685.0000.....	23	20976.0074.....	15,21	34074.1013.....	9	36421.0008.....	15
01975.0000.....	19	20976.1000.....	15,21	34074.1014.....	9	36421.1003.....	21

36459.0000.....	19	41595.1001.....	15
36459.0001.....	17	41665.1000.....	15
36460.0000.....	7	42234.0000.....	25
36460.0001.....	7	43041.0000.....	15
36460.0003.....	7		
36460.0004.....	7		
36461.0000.....	7		
36462.0000.....	7		
36464.0001.....	19		
36587.0000.....	23		
36674.0000.....	25		
36674.0001.....	25		
36675.0000.....	25		
36676.0000.....	25		
36677.0000.....	25		
36677.0002.....	25		
36677.0010.....	25		
37064.0001.....	19		
37297.0006.....	15		
37482.1001.....	23		
37804.0000.....	23		
37881.0000.....	7		
38114.0000.....	9		
38344.1101.....	23		
38379.1000.....	17		
38578.0000.....	5		
38580.1000.....	5		
38580.1001.....	5		
38580.1003.....	5		
38595.1000.....	5		
38595.1003.....	5		
38704.1002.....	5		
38712.1000.....	23		
38820.0000.....	25		
38894.0001.....	25		
38969.0001.....	11		
38969.0001.....	9		
39149.0001.....	11		
39175.0000.....	7		
39975.0000.....	19		
40071.0001.....	21		
40081.0000.....	25		
40081.0001.....	25		
40081.0002.....	25		
40081.0003.....	25		
40203.0000.....	17		
40763.0001.....	25		
40783.0000.....	15,17,21		
40784.0000.....	15,17		
41193.0001.....	13		
41499.1002.....	11		
41499.1005.....	13		
41499.1006.....	11		
41579.1001.....	21		
41587.0000.....	25		
41595.1000.....	15		