



IDC

2XX with Cold Carbonation

Illustrated Parts List



Manual Part No.: 621057403IPL
Revision Date: June 29, 2009
Revision: E

3Wire Revision 4
September 1, 2009

CLADDING COMPONENTS AND OVERALL ASSEMBLY DETAIL

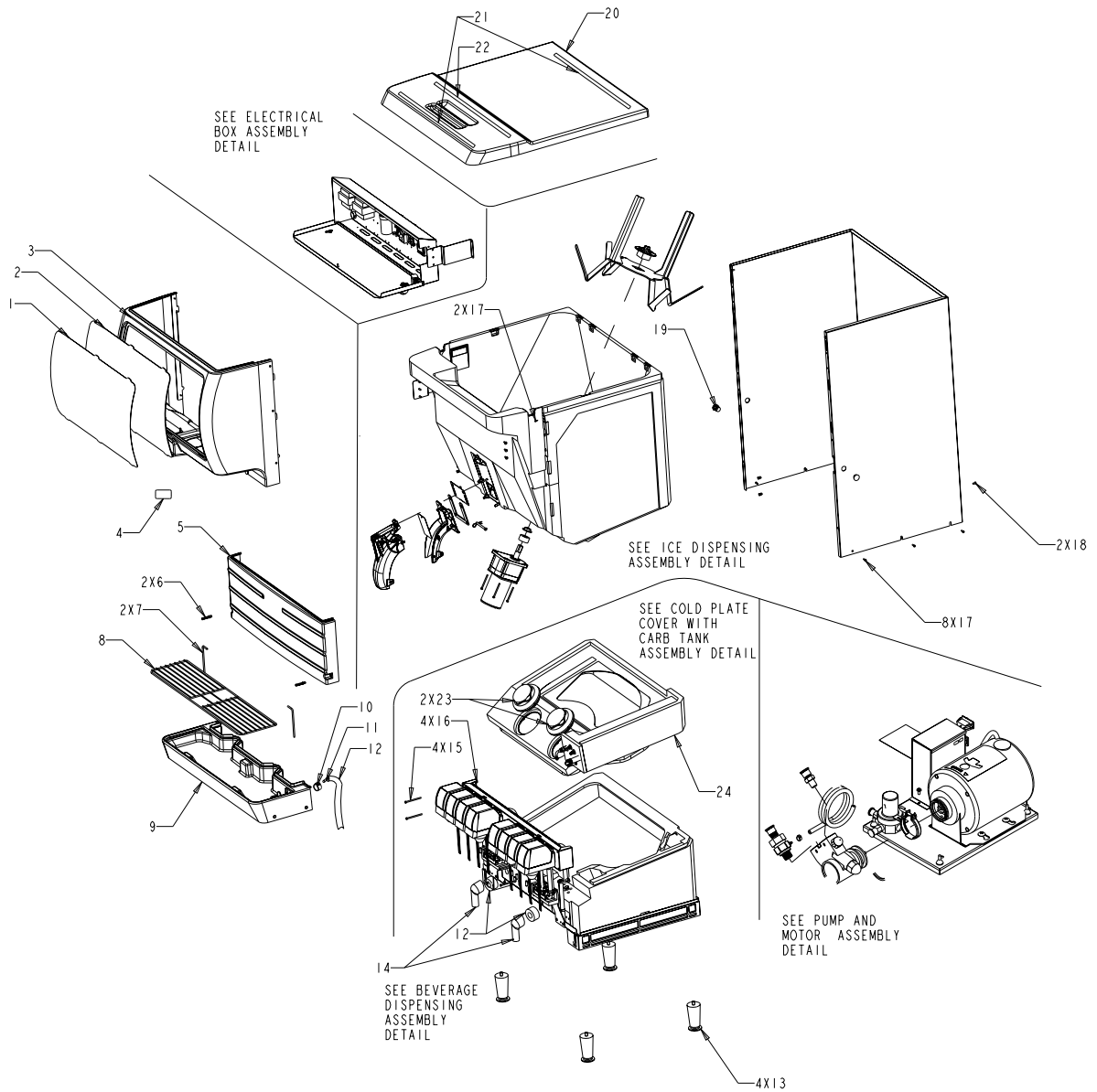


FIGURE 1



Item No.	Part No.	Name
1	620920086	Merchandiser Graphic - 255
	620921016	Merchandiser Graphic - 215
2	620044219	Merchandiser Lens - 255
	620518221	Merchandiser Lens - 215
3	620044217	Merchandiser Assembly - 255
	620044233	Merchandiser Assembly - 215
4	620920955	Ice Label
5	629096992	Splash Panel Assembly
6	70171	Machine Screw #8-32 x 3/8" SS
7	10145	Drip Tray Mounting Pin
8	620708534	Cup Rest
9	620521112	Drip Tray
10	70750	Hose Clamp
11	51774	Clear Vinyl Tubing 1"ID x 1/8" Wall
12	50335	Armaflex Insulation 1-3/8"ID x 3/8" Wall

Item No.	Part No.	Name
13	70970	4" Adjustable Leg, 3/8"-16
14	53011	Rubber Elbow Fitting for Cold Plate Drain
15	70555	Machine Screw, #8-32 x 2-5/8" SS
16	71010	#8 Retaining Washer
17	620705801	Screw, #8-18 x 1/2" SS
18	70171	Screw, #8-32 x 3/8" SS
19	32977 70739	Keyswitch w/Keys Replacement Keys Only
20	620517034	Lid (Requires Items 21 & 22)
21	91957	Lid Warning Label
22	620708523	Lid Manual Fill Caution Label
23	620516645	Cover Cold Plate Access
24	620043354	Cold Plate Cover Assembly
N/A	629088711	Kit Sink To Z-Style
N/A	629093447	Kit Z-Style To Sink
N/A	620052961	Panel Lower Assembly Z-Style

ELECTRICAL BOX ASSEMBLY DETAIL

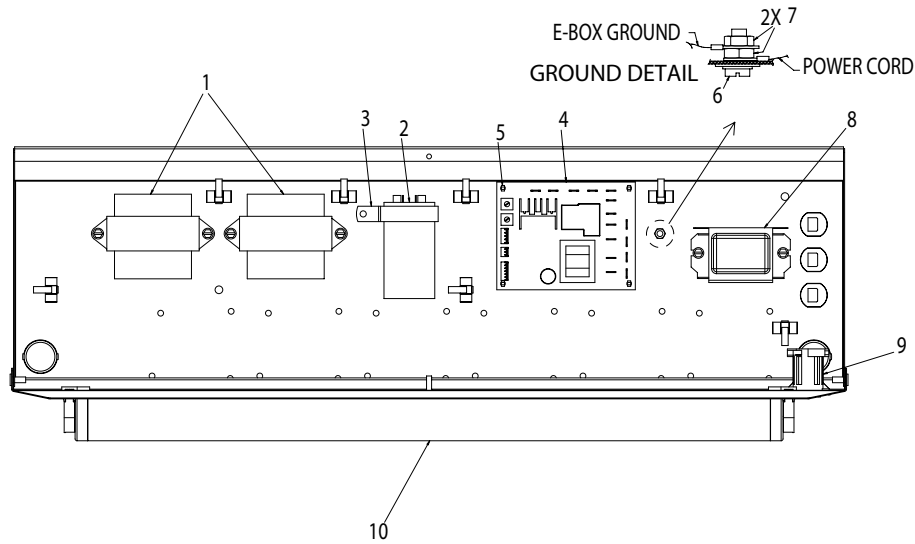


FIGURE 2

Item No.	Part No.	Name
1	620710707	Transformer
2	560002379	Capacitor 20 MFD 230V 50Hz
3	620717212	Capacitor Mount
4	620314825	Main Electrical Board
5	325925000	Electrical Board Support
6	70120	Machine Screw,#10-32, Ground
7	70015	HEX Nut 10-32 KEPS
8	31621	Ballast

Item No.	Part No.	Name
9	31620	Starter
10	31928	Fluorescent Bulb 23"
11	30794	Agitator Motor Heater
12	620316445	Agitator Motor Harness
13	620316456	Water Pump and Motor Harness
14	30995	Power Cord
15	620316455	Liquid Level Control Probe Harness
16	620316457	Ice Chute Position Sensor Harness

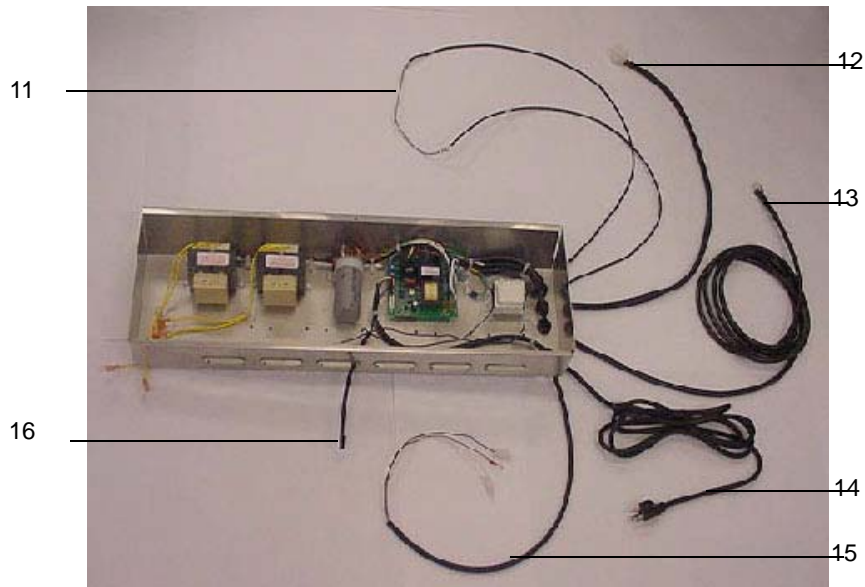


FIGURE 3

ICE DISPENSING ASSEMBLY DETAIL

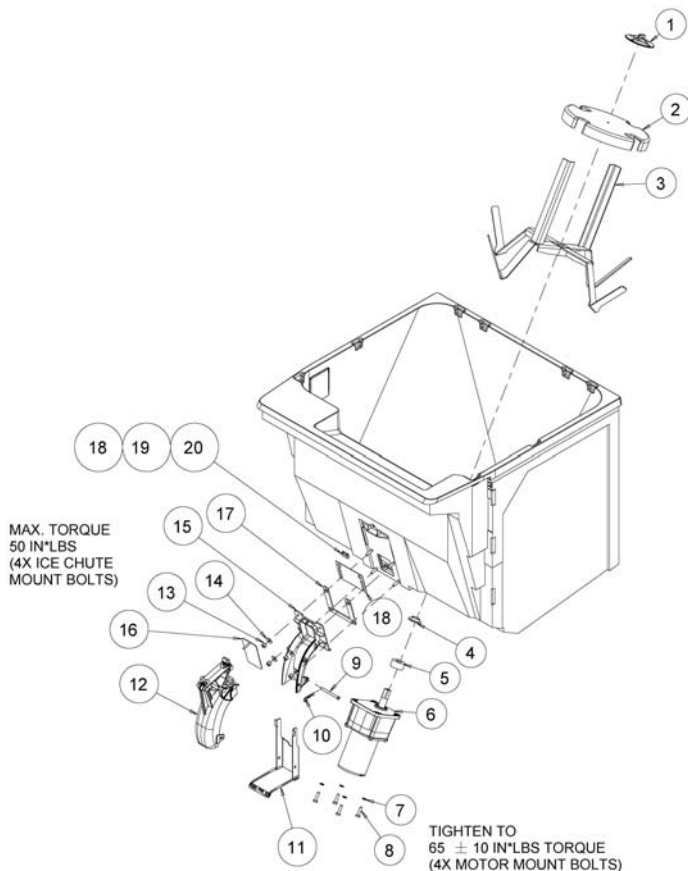


FIGURE 4

Item No.	Part No.	Name
1	15087	Agitator Retainer
2	620042770	Agitator Disk
3	620042766	Agitator
	620042723	Agitator (opt. w/no disk reqd.)
4	620711105	Gear Box Shaft Seal
5	52876	Gear Box Shaft Gasket
6	620314923	Service Motor (Without Gear Box)
	620314913	Motor and Gear Box Assembly
7	186294000	Lock Washer .262" ID X .489" OD X .062" Thick, SS
8	620720590	Self-Locking Socket Head Cap Screw, 1/4-20, 1" Long, SS
9	620051502	Clevis Pin, .250" Dia X 2.75" Long, SS
10	620709432	Hairpin Cotter, SS
11	620518517	Ice Chute Push Bar
	620709311	Ice Chute Lever (not shown)

Item No.	Part No.	Name
12	620518536	Upper Ice Chute Assembly
N/A	621323652	Kit Ice Chute Lever Replacement
	629095871	Kit Ice Chute Push Bar Replacem
13	620709132	Hex Nut, 1/4-20 Nylock, SS
14	70066	Flat Washer, .265" ID X .750" OD X .055" Thick, SS
15	620518535	Lower Ice Chute
16	620048706	Ice Gate
17	620710129	Ice Gate Gasket
18	620046504	Ice Gate Restrictor Plate
19	0704105	Machine Screw,#08-32 Truss Phillips Head, 1/2" Long, SS
20	V25248	Flat Washer, #10 SS
21	620314527	Ice Chute Position Sensor
22	90432	Heater Caution Label



BEVERAGE DISPENSING ASSEMBLY DETAIL
(SEE PAGE 7 FOR TOTALFLEX 1 PARTS USED AFTER SERIAL# 62C0912JD002)

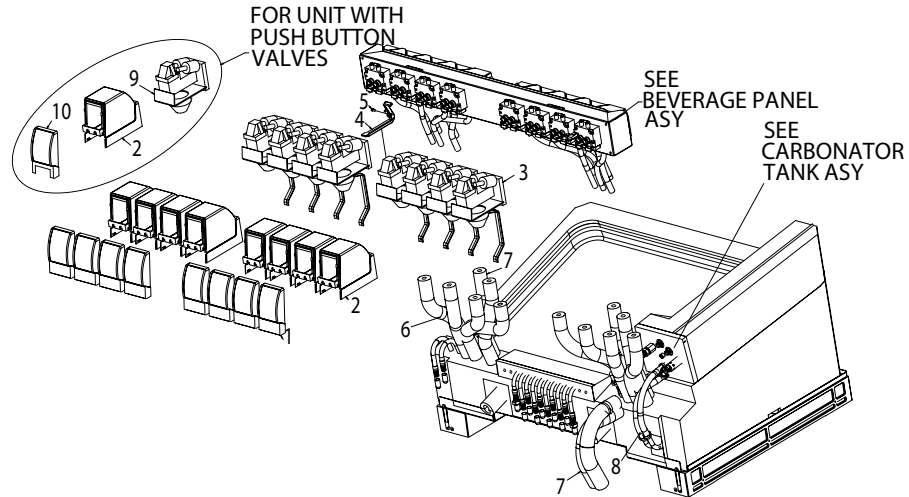


FIGURE 5

Item No.	Part No.	Name
1	1956	Front Valve Cover (For lever valves only. Use item 10 for push button valves)
2	1950	Back Valve Cover
3	561000155	UFB Lever Valve Assembly
4	1935	Water Only Lever Bar
5	560001788	Screw, #6-32 x 3/16 SS
N/A	3297	Water Lever Kit (Incl. Items 4 & 5)
6	50163	Armaflex Insulation 3/8 ID X 3/8 Wall: Supplied in 6' Lengths

Item No.	Part No.	Name
7	50249	Armaflex Insulation Tubing 1/2 ID X 3/8 WALL: Supplied in 6' lengths.
8	1032482	Polyethylene Tubing, .380" ID X .593" OD
9	561000161	UFB Push Button Valve Assembly
10	1951	Front Valve Cover (For push button valve only. Use Item 1 for lever valves)



BEVERAGE PANEL ASSEMBLY DETAIL

(SEE PAGE 7 FOR TOTALFLEX 1 PARTS USED AFTER SERIAL# 62C0912JD002)

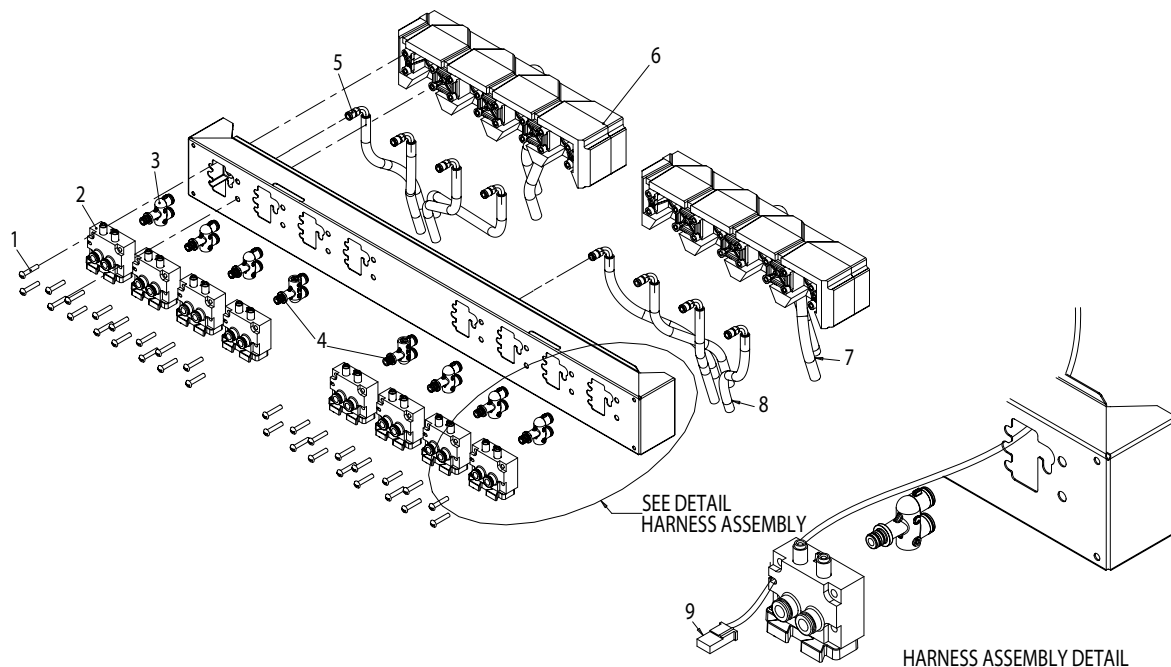


FIGURE 6

Item No.	Part No.	Name
1	70692	Machine Screw, #10-32 X 1\"/>
2	1919	UF1 Valve Back Block Assembly
3	620718989	Y-Fitting, Carbonated Water
4	620718990	Y-Fitting, Non-carbonated Water
5	620709068	Elbow Dole Fitting, 1/4 Barb with O-ring

Item No.	Part No.	Name
6	620407772	Totalflex Manifold Assembly 4 Valve, One Side, (5 Valve 620407770)
7	1032482	Polyethylene Tubing, .380\"/>
8	1030682	Polyethylene Tubing, .265\"/>
9	31827	Valve Power Harness



BEVERAGE DISPENSING AND BEVERAGE PANEL ASSEMBLY DETAIL (FOR UNITS PRODUCED AFTER SERIAL# 62C0912JD002)

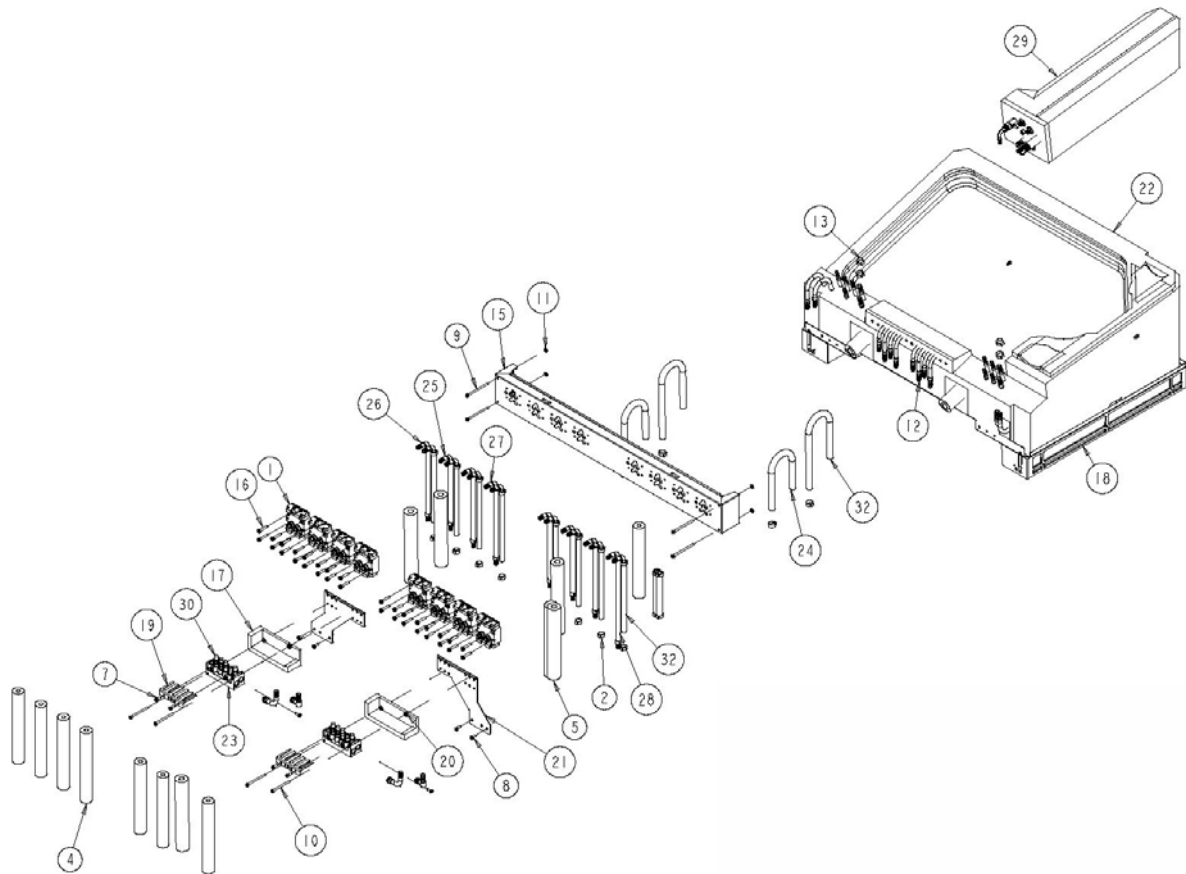


FIGURE 7

Item No. Part No. Name

Item No.	Part No.	Name
1	1919	Mounting Block Assembly
2	300200000	Clamp Oetr 13.3 STPLS #13
3	50126	Insulation Prestite 1/8X2-1/2
4	50163	Armaflex 3/8 ID X 3/8 Wall
5	50249	Tubing Insul. 1/2 ID X 3/8 Wall
6	318998000	Insulation Tape 1/8" X 2" X 30'
7	70204	Screw Sm 08 TA TRPH 16 SS
8	70307	Rivet Pop 187D 188-250
9	70555	Screw MA 08-32 TRPH 84 SS
10	71006	Srew MA 08-32 TRPH 72 SS
11	71010	Washer - Captivating #8
12	99250CAP	Cap
13	309853000	Clamp Oetr 618 Open STPLS #15.7
14	321471000	Lube Dow 111 5.3 oz. Tube
15	620042856	Panel Bev. Weldment
16	620700602	Screw TF SM 10-16 RDPH 32 SS

Item No.	Part No.	Name
17	620711962	Insulation TFI Manifold
18	620045786	Base Assy ED2XX Jordan
19	620046382	Retainer TFI FITGS
20	620046798	Bushing Hinge Nylon
21	620053839	Bracket Manifold Mtg
22	620407060	Foamed 19 X 28 8FL C-PLT Assy.
23	620407728	Manifold Total Flex, 5 Pos
24	620407917	Water Line Assy, U-Shape 3/8 I.D.
25	620407919	Water Line Assy, 1/4 I.D.
26	620407920	Water Line Assy, 1/4 I.D.
27	620407921	Water Line Assy, 1/4 I.D.
28	620407923	Water Line Assy, 1/4 I.D.
29	620518322	Tank Carb Assy Jordan
30	620519005	Plug Manifold
31	1032482	Tubing Polyethylene .380 X .593
32	620611961	Line Assembly Water
33	620719370	Tube Prod. Syrup JRD

CARBONATOR TANK ASSEMBLY DETAIL

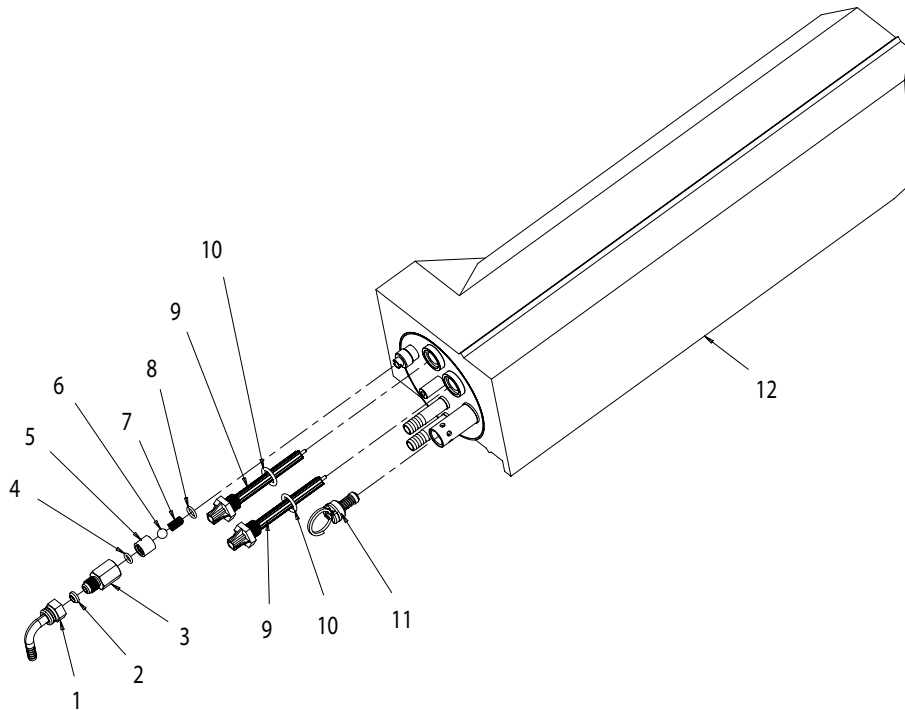


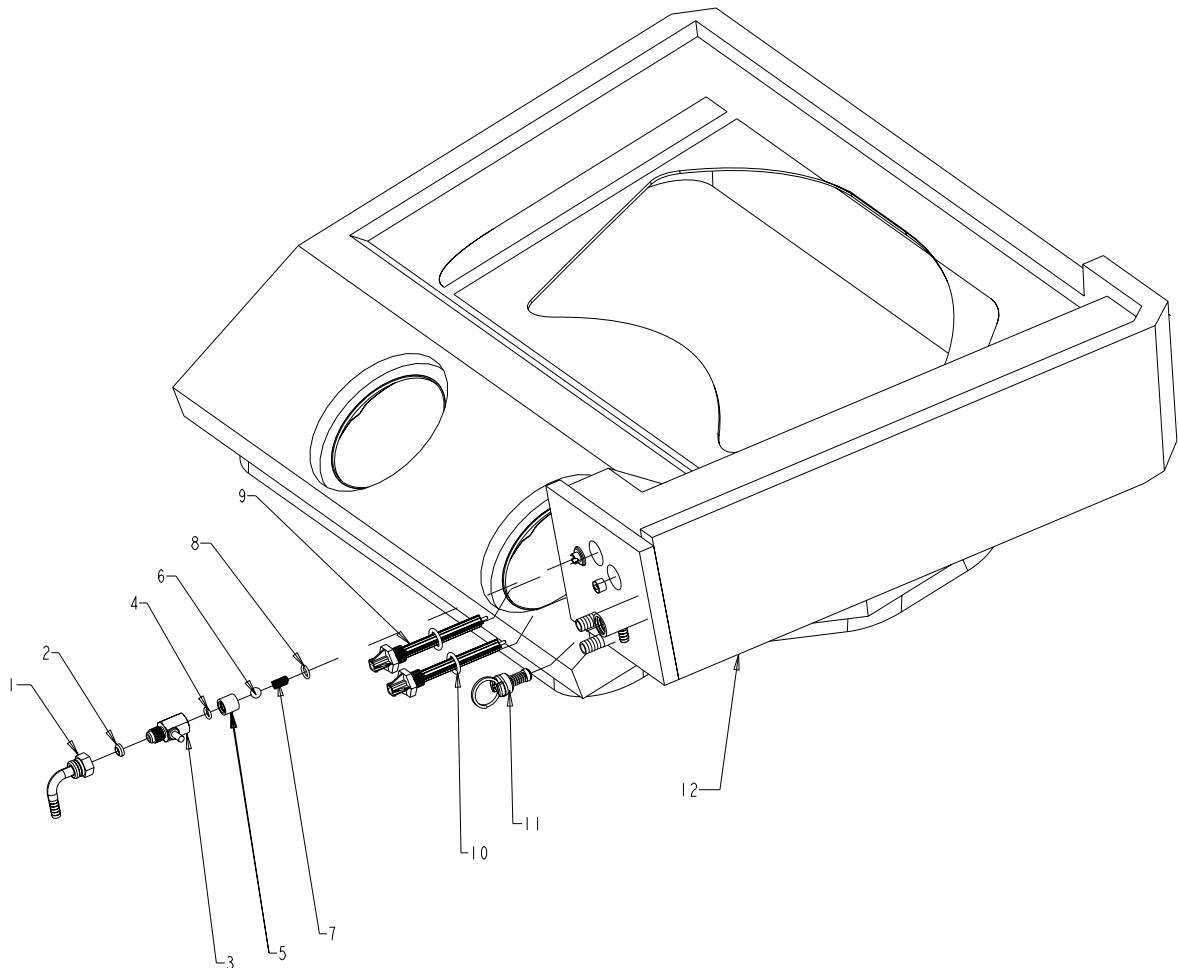
FIGURE 8

Item No.	Part No.	Name
1	77040100	L-Swivel Fitting 7/16"-20 (1/4" FFL) FL X 1/4" Barb, SS
2	178025100	Male Gasket Flare Fitting
3	77401400	Check Valve Fitting
4	398033002	O-Ring .239" ID .070" CS 70 DU BU-N
5	64686	Check Valve, SS
6	64560	Check Valve Ball, .3125" SS
7	64678	Spring

Item No.	Part No.	Name
8	31525012	O-Ring .301" ID .070" CS 60 DU BU-N
9	620607108	Liquid Level Control Probe: Must be purchased together with item 10 (O-ring).
10	31525007	O-Ring .488" ID 103 CS 60 DU BU-N
11	630001122	Relief Valve
12	620518322	Carb Tank Complete Assembly



CARBONATOR TANK ASSEMBLY DETAIL



Item No.	Part No.	Name
1	77040100	L-Swivel Fitting 7/16"-20 (1/4" FFL) FL X 1/4" Barb, SS
2	178025100	Male Gasket Flare Fitting
3	77040100	Check Valve Fitting
4	398033002	O-Ring .239" ID .070" CS 70 DU BU-N
5	64686	Check Valve Sleeve SS
6	64560	Check Valve Ball, .3125" SS

Item No.	Part No.	Name
7	64678	Spring
8	31525012	O-Ring .301" ID .070" CS 60 DU BU-N
9	620607108	Liquid Level Control Probe: Must be Purchased w/ Item 10 (O-Ring)
10	31525007	O-Ring .488" ID 103 CS 60 DU BU-N
11	630001122	Relief Valve
12	620043354	Cold Plate Cover Assy. w/ Carb Tank

PUMP AND MOTOR ASSEMBLY DETAIL

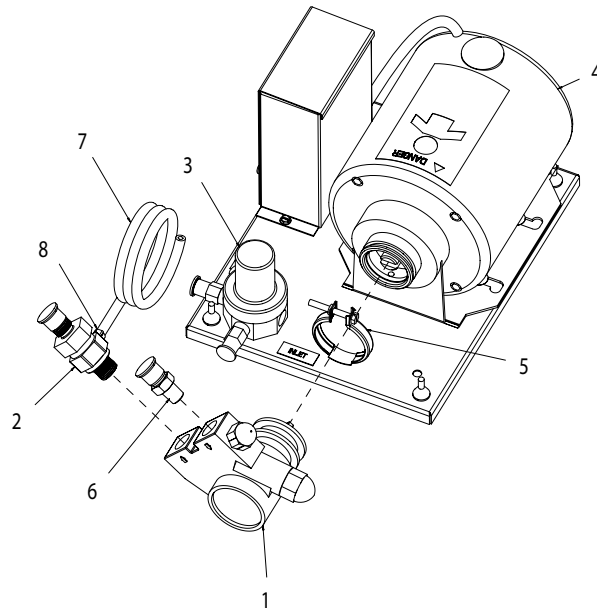


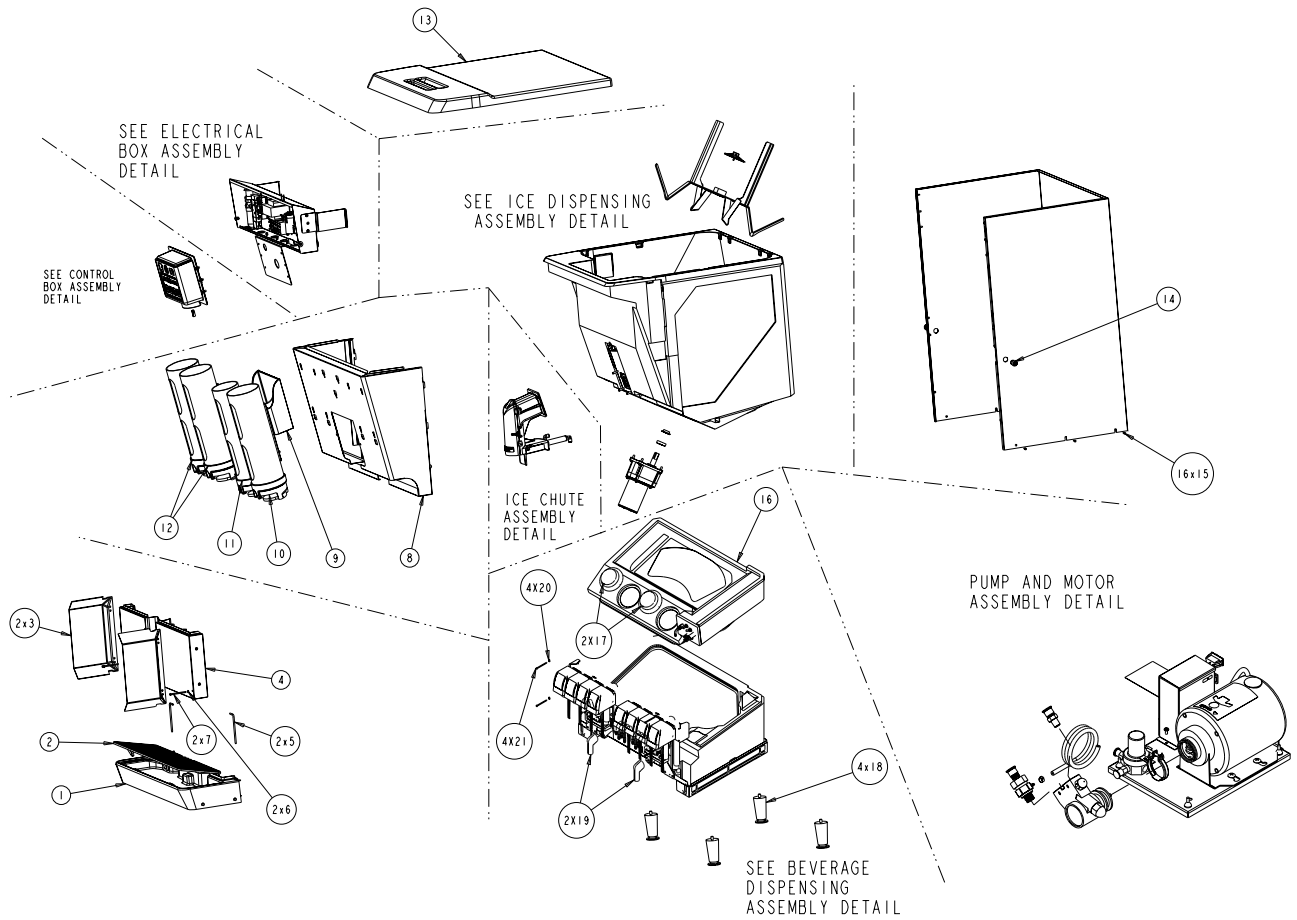
FIGURE 9

Item No.	Part No.	Name
	620408124	Pump & Motor Assembly
1	60170	Pump, 125GPH
2	620608773	Check Valve 3/8MPT 5/8-18
3	620709802	Pressure Regulator 75 PSIG
4	60030058	Motor Pump

Item No.	Part No.	Name
5	187483000	Clamp
6	111337000	Straight Fitting 3/8 MPT X 3/8 MF, Brass
7	174004000	Polyethylene Tubing .156" ID X .312" OD
8	311527000	Oetiker Clamp #8.7



PROGATE CLADDING COMPONENTS AND OVERALL ASSEMBLY DETAIL



Item No.	Part No.	Name
1	620521113	Drip Tray
2	620708537	Cup Rest
3	629095366	Guard Splash R/L
4	620053879	Panel Assembly
5	10145	Drip Tray Mounting Pin
6	71010	Captivating Washer
7	70555	Screw, Stainless
8	620053003	Cover, Weldment
9	620046723	Holder, Straw IDC/Yum Crew Serve
10	620517069	Lid Holder Assy XLRG
11	620517068	Lid Holder Assy SML & MED
12	620517067	Lid Holder Assy Large

Item No.	Part No.	Name
13	620517034	Lid IDC255 Black
14	32977 70739	Keypad w/Keys Replacement Keys Only
15	620705801	Phillips Truss Head Screw, #8-18 X 1/2" Long, Stainless Steel
16	620050537	Foam Cold Plate Cover
17	620516645	Cold Plate Access Cover
18	70970	4" Adj. Leg, 3/8"-16, Black Plastic w/ Nickel Plated Foot
19	53011	Rubber Elbow Fitting for Cold Plate Drain
20	71010	Retaining Washer
21	70555	Machine Screw, #8-32 X 2-5/8" Long, SS