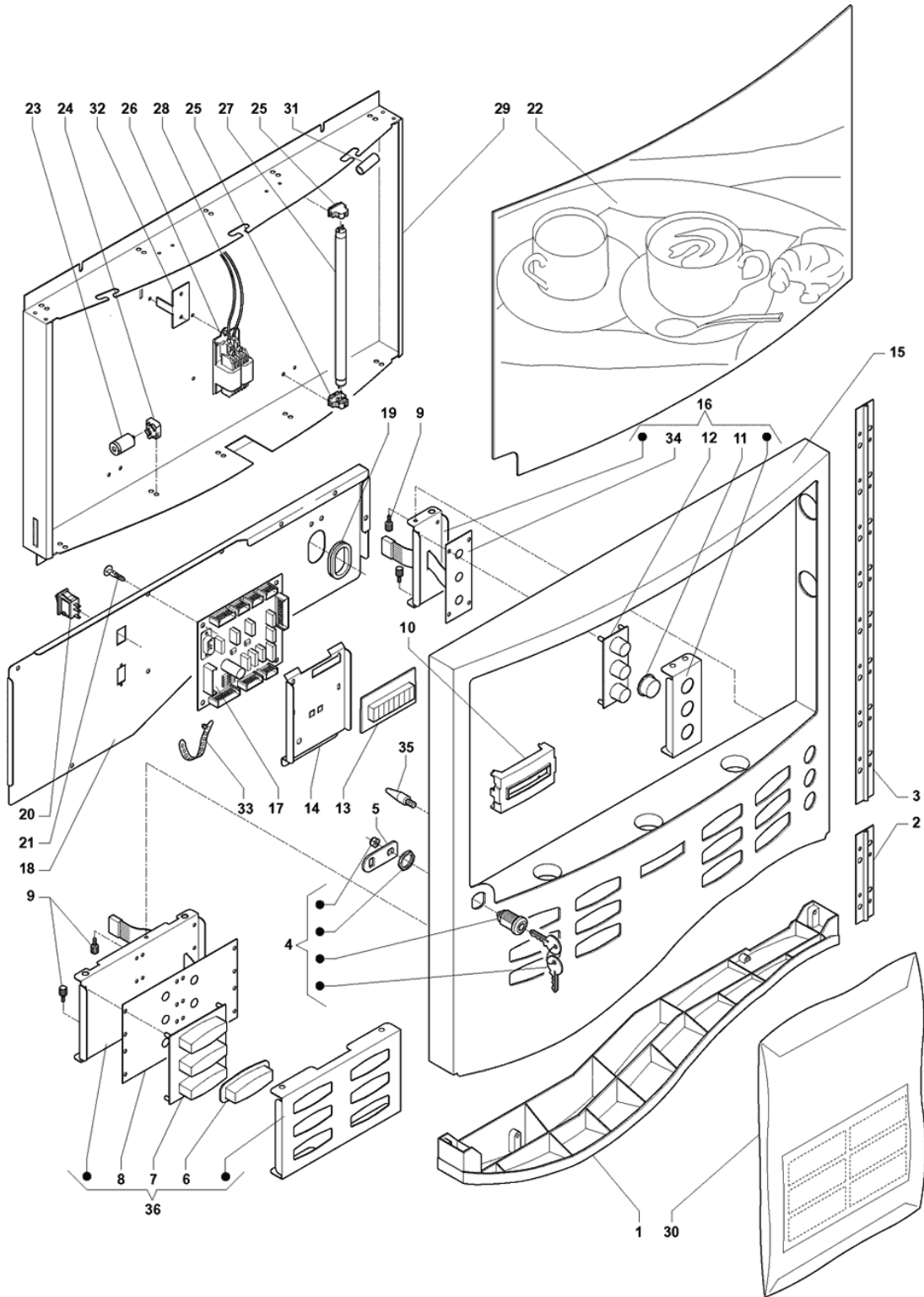
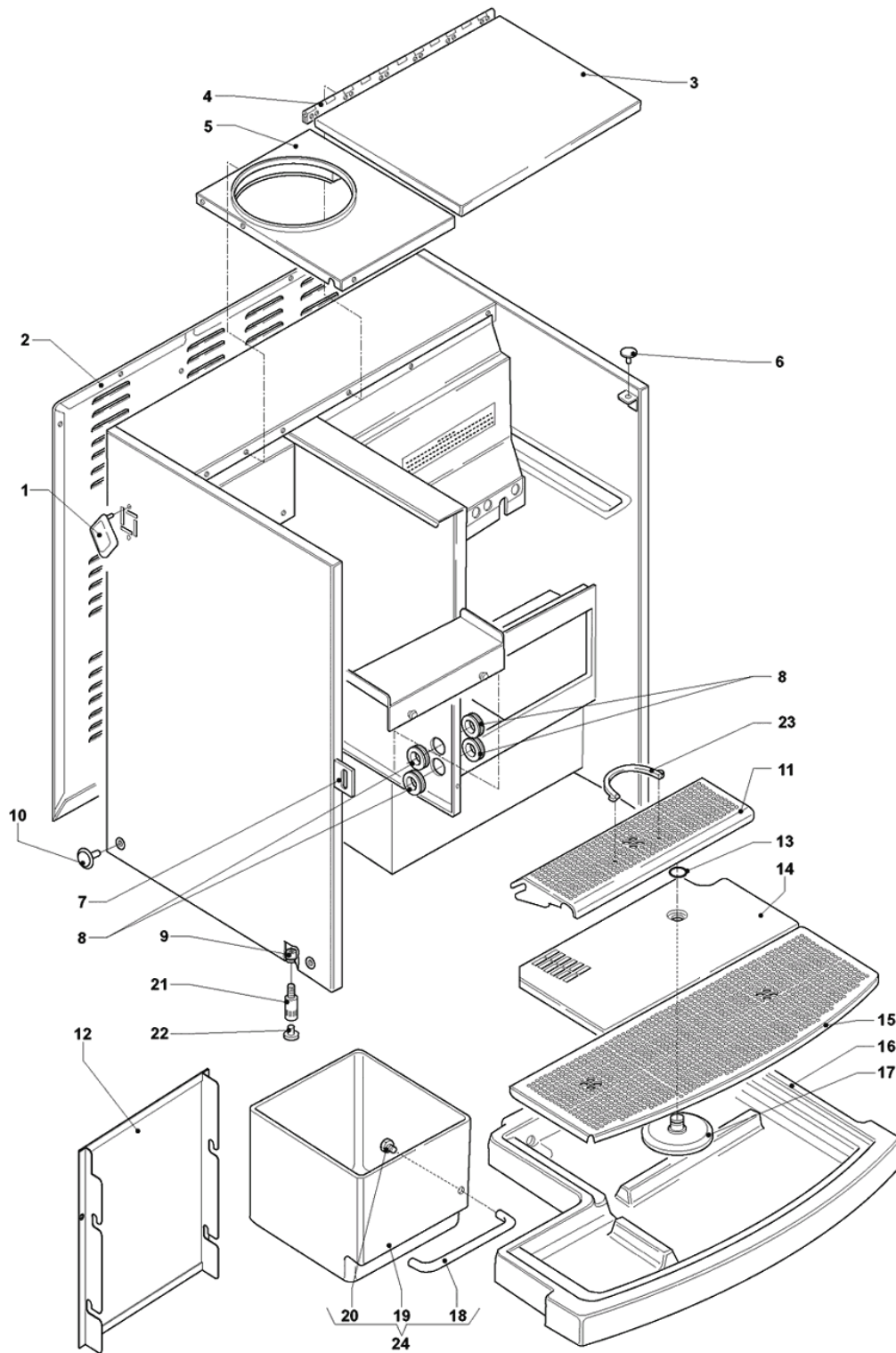


GRANMATTINO KRAFT - ESPRESSO - 120 VOLT - 60 HZ

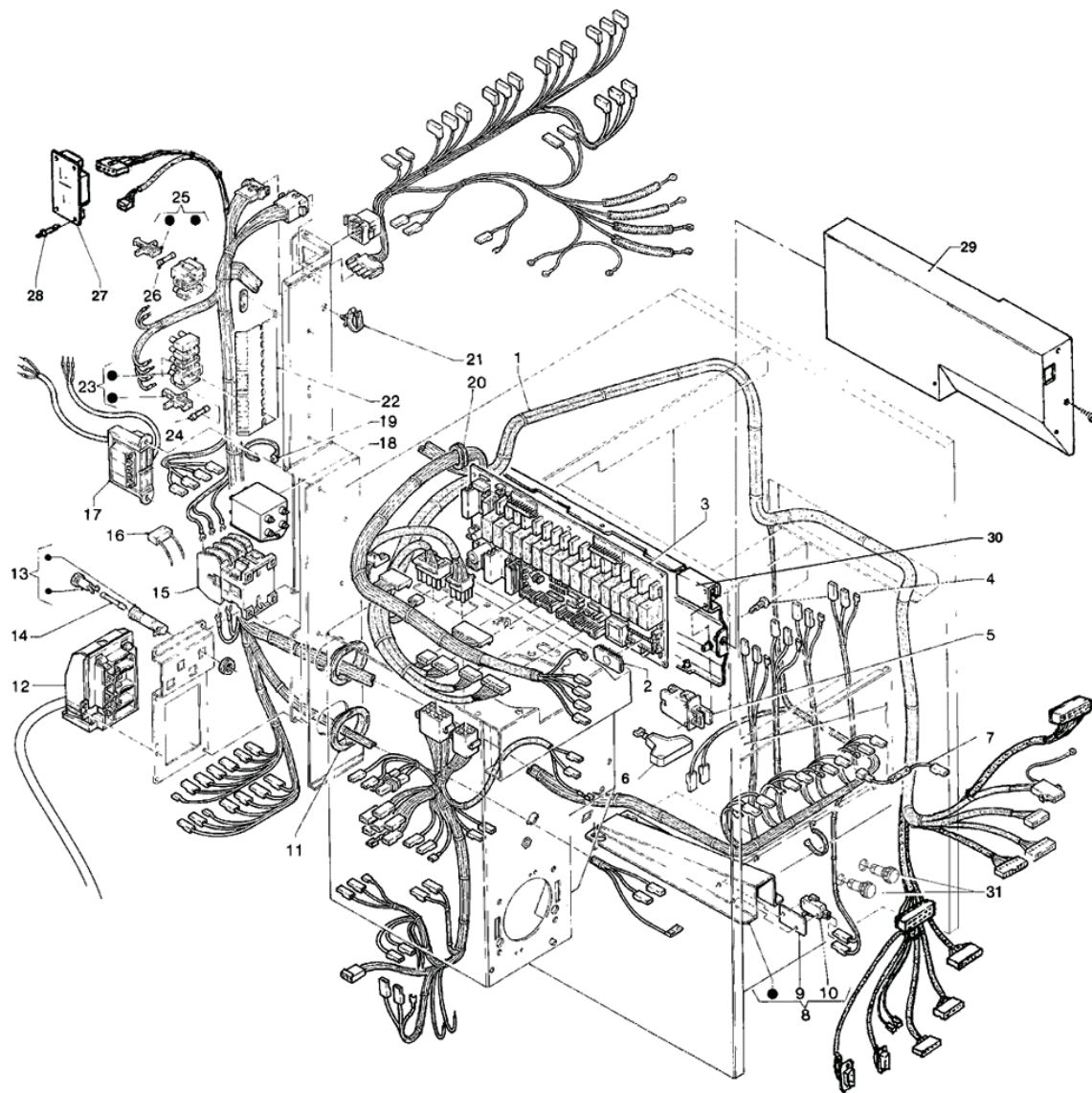




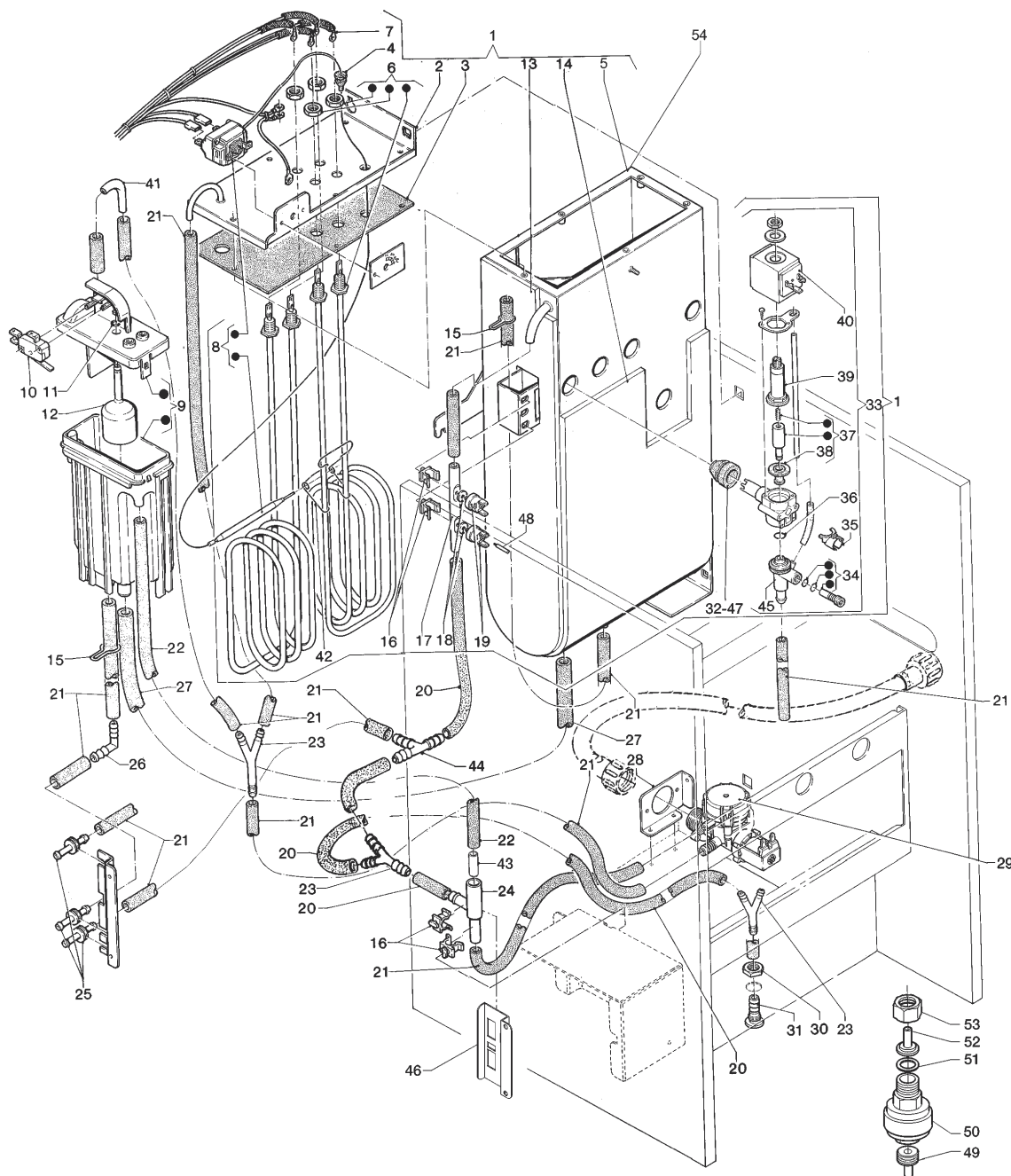
	Code	Description	Notes
1	0V2695	LOWER DOOR HEAD	
2	0V2683	PUSH-BUTTON COVERING HINGE	
3	0V2682	DOOR HINGE	
4	099905	LOCK RIELDA	
5	098551	BOLT	
6	0V2674	CAP 6 PUSH-BUTTON	
7	0V2672	LITTLE RUBBER 6 PUSH-BUTTON	
8	251495	6-PUSH-BUTTON MEMBRANEPANEL	
9	096977	KNURL	
10	0V2694	DISPLAY GLASS	
11	0V2673	CAP 3 PUSH-BUTTON	
12	0V2671	LITTLE RUBBER 3 PUSH-BUTTON	
13	251656	DISPLAY 1X16 BLUE	
14	0V2666	DISPLAY SUPPORT	
15	0V2688	DOOR	
16	251010	3 PUSH-BUTTON PANEL ASSY.	
17	099865	INTERFACE CARD	
18	0V2667	PUSH-BUTTON PANEL COVERING	
19	093916	WHIPPING OVAL	
20	098214	SWITCH	
21	096713	CARD SPACER	
22	0V3885	PHOTOGRAPHIC PANEL -LUX -	
23	0V0478	110V STARTER	
24	0V1554	STARTER HOLDER	
25	097267	LAMP HOLDER TYPE G5	
26	250700	120V-60HZ BALLAST	
27	0V1611	LAMP TL 6W	
28	251286	LAMP WIRING	
29	0V2684	LAMP SUPPORT	
30	251283	PRODUCT PLATES 'UK'	
31	097685	SILICONE HOSE BROWN 7.5X12	
32	0V1437	MICROSWITCH ACTUATOR	
33	091420	ADJUSTABLE COLLAR	
34	251494	3-PUSH-BUTTON MEMBRANEPANEL	
35	097859	CENTERING PIVOT MIXER SUPP.	
36	251496	6 PUSH-BUTTON PANEL ASSY.	



	Code	Description	Notes
1	097886	STOPPER	
2	0V2663	REAR COVER	
3	0V1435	MACHINE TOP	
4	0V1145	MACHINE TOP HINGE	
5	0V1117	COFFEE CONTAINER TOP	
6	098759	RUBBER BUFFER	
7	0V0379	LATCH BOLT PLATE	
8	090020	WHIPPING MM 16	
9	097861	THREADED CONNECTOR	
10	099727	STOPPER	
11	0V2664	RIGHT CUP LIFTER	
12	251282	CLOSING PLATE	
13	095624	GASKET O-RING 116 EP851	
14	0V2748	FLOAT SUPPORT	
15	0V2691	TRAY GRATE	
16	0V2692	LIQUID TRAY	
17	0V1751	TRAY FLOAT	
18	0V1741	TRAY HANDLE	
19	0V1740	TRAY	
20	0V1122	HANDLE STOP	
21	0V0430	LEVELLING FOOT	
22	099838	STOPPER	
23	0V1130	CUP STOP	
24	0V2803	TRAY ASSEMBLY	

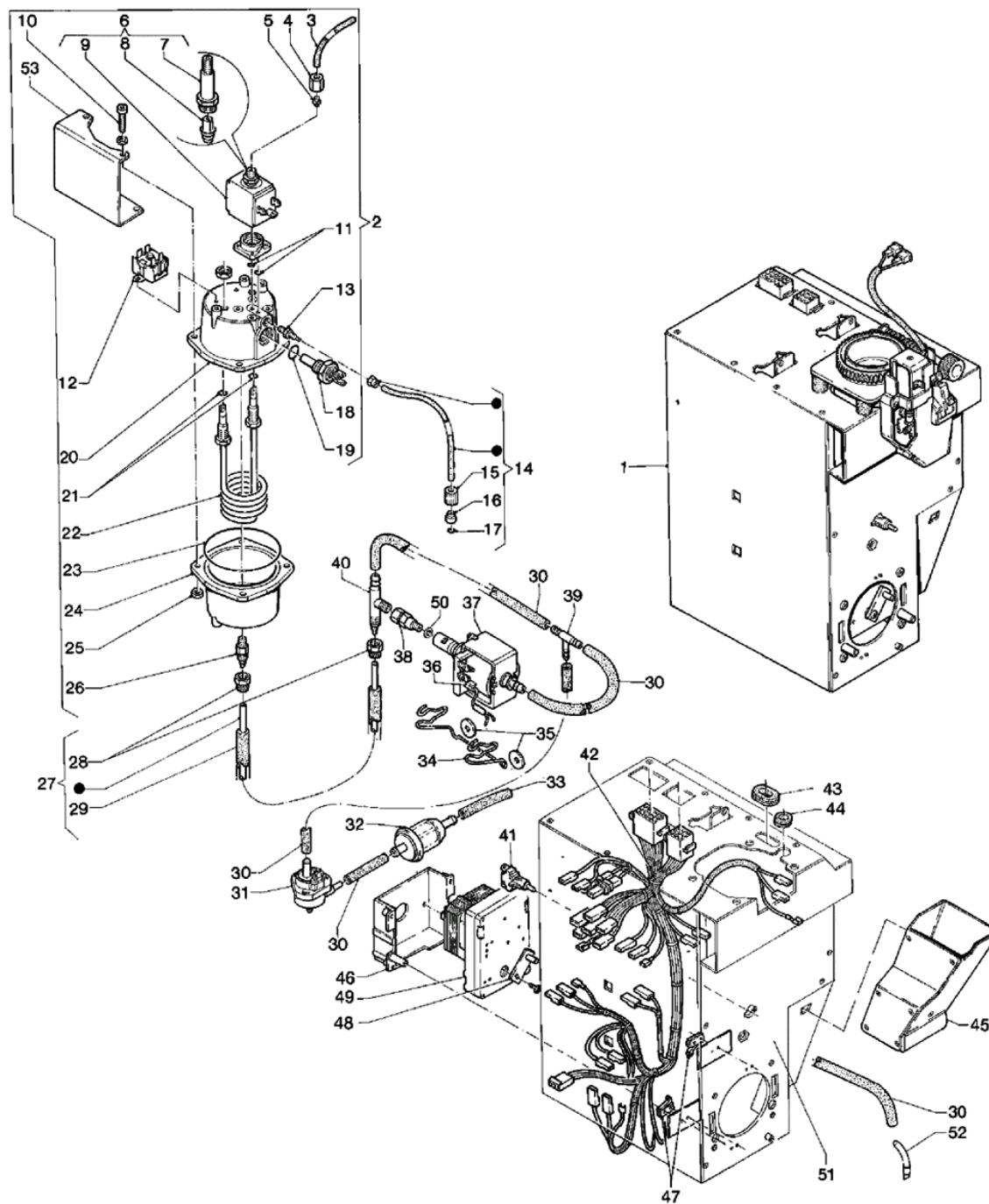


	Code	Description	Notes
1	251284	MAIN WIRING	
2	099982	1024K-EPROM (TO BE PROGRAMMED	
3	0V1858	PLUS CPU/REALISATION BOARD	
4	097175	CARD SPACER	
5	097796	SWITCH	
6	0V1654	SWITCH KEY	
7	0V0719	DIODE	
8	0V1134	LIQUID WASTE MICRO CONTROL	
9	090681	INSULATING DISK	
10	0V1930	MICROSWITCH 'UL'	
11	093916	WHIPPING OVAL	
12	250995	TERMINAL BLOCK -UL -	
13	0V3201	FUSE HOLDER	
14	0V0795	6.3X32 T15A FUSE	
15	250616	REMOTE CONTROL SWITCH -USA-	
16	096845	FILTER RC 1000HM 0.1MF	
17	0V0454	TRANSFORMER 110V	
18	0V0796	ELECTRICAL NET FILTER	
19	090148	CLIP	
20	093312	WHIPPING DIAM MM 12 ART 46	
21	098459	WIRE-CLIP	
22	097242	SUB-TERMINAL BOARD	
23	098793	5P TERMINAL BOARD WITH FUSE-HOLDER	
24	0V0456	FUSE 160MA	
25	097241	3-POLE TERMINAL BOARD W/CARRIER	
26	097103	FUSE 1.25A 5X20 DELAYED ACTION	
27	0V2681	CARD 3 RELAY	
28	093984	GUIDE SPACER	
29	0V2685	COVER BOARD	
30	0V2738	SWITCH PROTECTION	
31	251250	LUMINOUS INDICATOR	



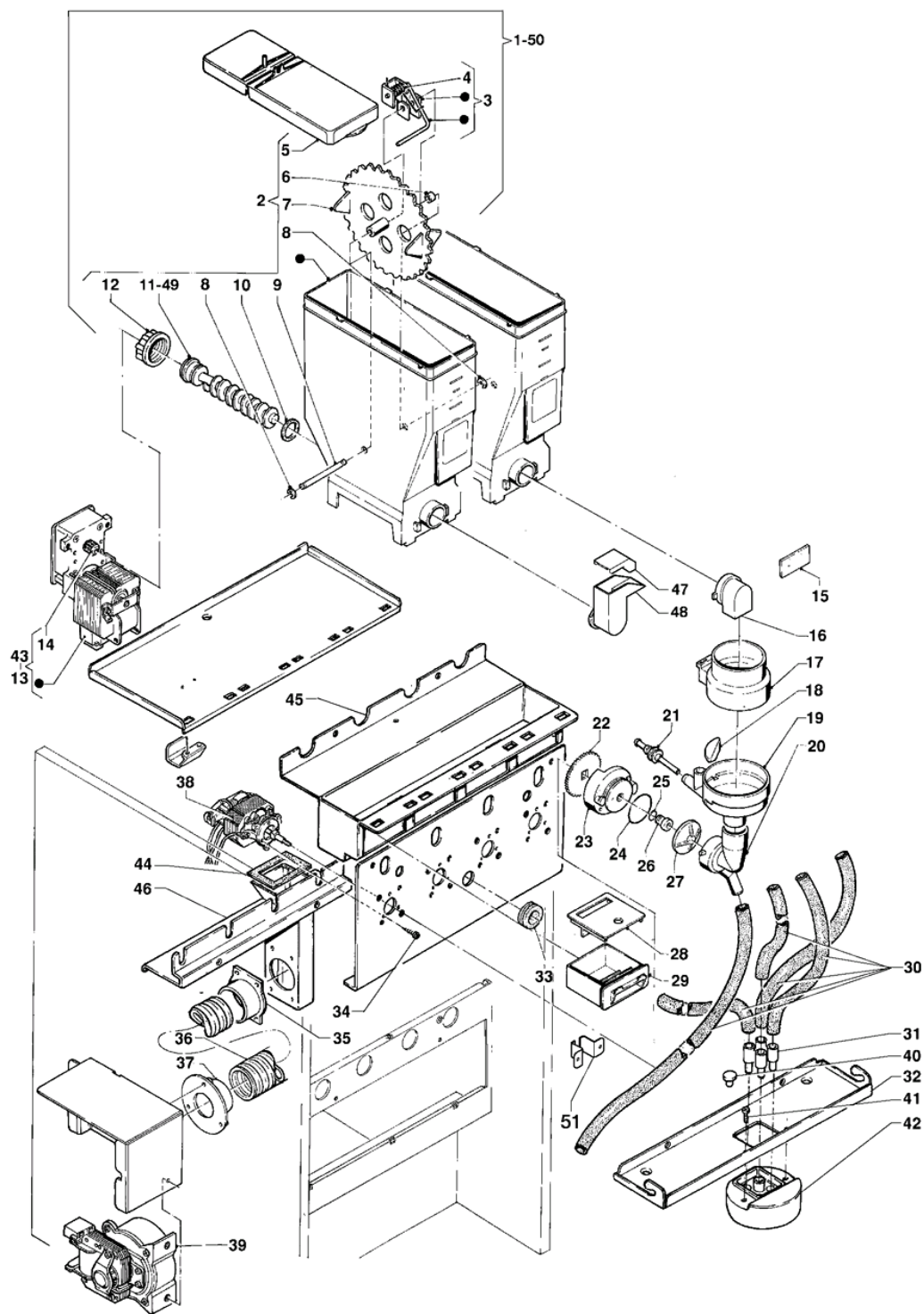
	Code	Description	Notes
1	251288	120V-60HZ -UL- INSTANT BOILER ASSY	
2	0V1152	BOILER COVER	
3	0V1125	BOILER COVER SEAL	
4	099844	GASKET	
5	0V1151	BOILER CASE	
6	0V0475	HEATING ELEMENT 1250W 110V	
7	251285	INSTANT BOILER WIRING	
8	092428	THERMOSTAT ADJUSTABLE	
9	0V1133	AIR-BREAK ASSEMBLY	
10	0V1141	MICROSWITCH	
11	252538	O-RING 2025	
12	0V1126	AIR-BREAK FLOAT	
13	0V1276	BOILER SIDE INSULATION	
14	0V1275	BOILER INSULATION	
15	092703	TUBE CLAMP	
16	098484	HOSE FIXING	
17	099458	TUBE FOR 2 THERMOSTAT	
18	094597	COPPER WASHER	
19	0V2129	THERMOSTAT 82 C	
20	097685	SILICONE HOSE BROWN 7.5X12	
21	097512	SILICONE HOSE 6X12 BROWN	
22	097513	SILICONE HOSE 9X13 BROWN	
23	095513	UNION Y-SHAPE	
24	094185	CODENSE RECOVERY UNION	
25	0V1127	PIPE CONNECTION	
26	095576	UNION L-SHAPE	
27	097515	SILICONE HOSE 10X16 BROWN	
28	099436	ELECTROVALVE SUPPORT	
29	0V0440	ELECTROVALVE 4 L/M 110V	
30	092652	LOCK NUT 1/4 REV	
31	094910	RUBBER HOLDER MIXER BASIN	
32	099847	GASKET	
33	0V0441	ELECTROVALVE 110V	
34	0V3555	ADJUSTING-SCREW + O-RING	
35	0V3556	LOWER BODY STOP	
36	0V3554	GASKET O-RING	
37	0V3550	ELECTROVALVE NUCLEUS	
38	0V3551	MEMBRANE-GASKET	
39	0V3552	VALVE BUSH	
40	0V3351	COFFEE COIL 110 V-60HZ	
41	0V1749	WATER/AIR-BREAK CONNECTION	
42	094150	THERMOSTAT BLUB FASTENING SPRING	
43	0V1980	CONDENSATE COLLECTION FITTING REDUCTION	
44	096552	UNION T-SHAPE	
45	0V3553	LOWER ELECTRICVALVE BODY	
46	251008	CODENSE RECOVERY UNION SUPPORT	

	Code	Description	Notes
47	099928	STOPPER GASKET	
48	0V2074	THERMOSTAT ACTUATOR	
49	0V2959	UNION 3/4 GAS	
50	0V2961	WATER BLOCK DEVICE	
51	092364	UNION GASKET 3/4	
52	0V2960	UNION D. 15	
53	250676	NICKLE-PLATED 3/4 STOP NUT	
54	253852	BOILER BODY GRAN MATTINO -AISI316-	



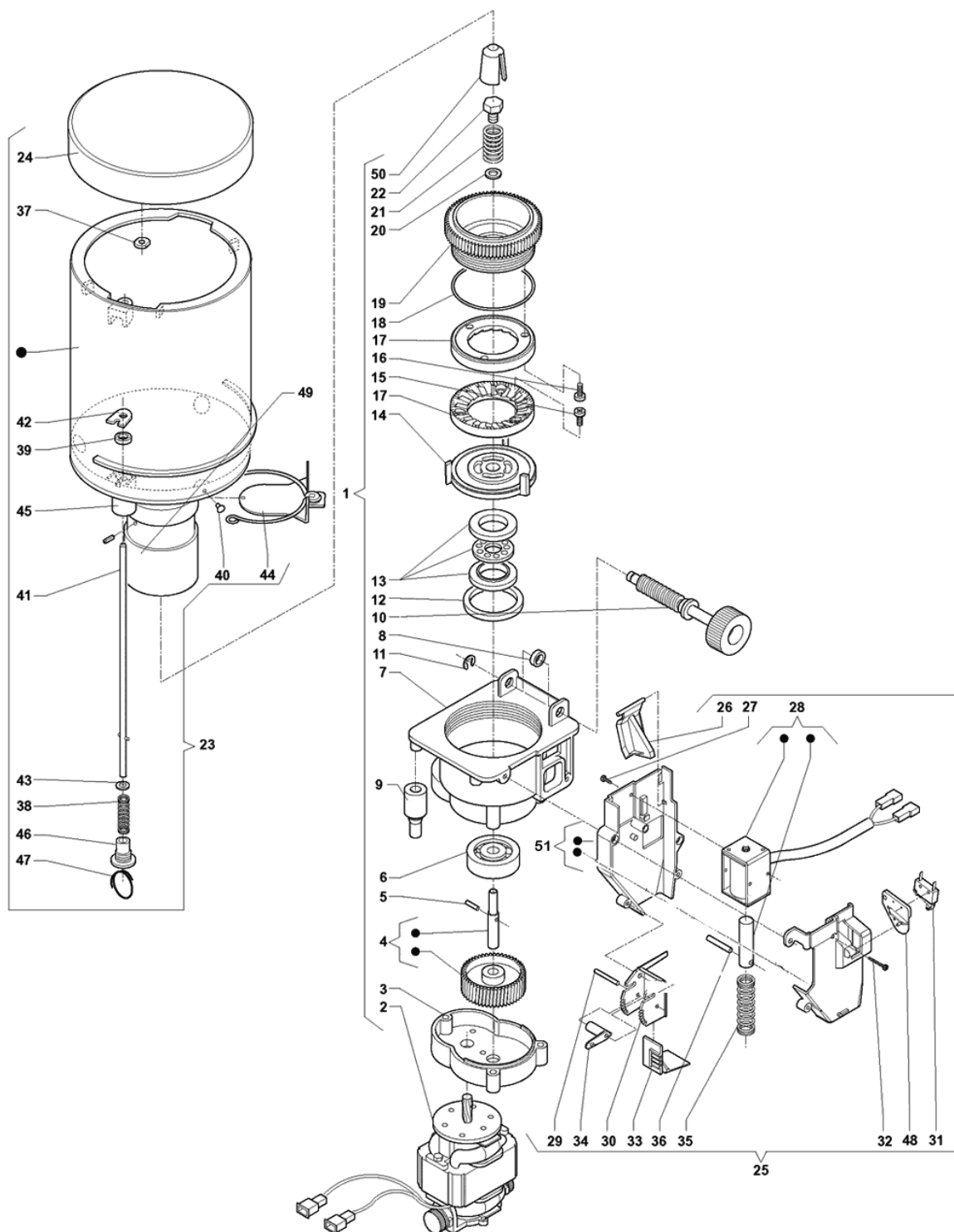
	Code	Description	Notes
1	251290	COFFEE BRACKET ASSEMBLY -UL-	
2	251294	COFFEE BOILER ASSEMBLY 600 CC.120V-60HZ	
3	092068	TEFLON PIPE DIAM MM 2X4	
4	093636	TIGHTENING NUT ELECTR. DE-AERATION	
5	093635	TIGHTENING RING ELECTRICAL DE-AERAT	
6	250701	120V-60HZ 3-WAY-ELECTROVALVES	
7	099105	COFFEE-ELECTROV. CONNECTION PIPE	
8	250348	3-WAY ELECTROVALVE NUCLEUS- RUBY-	
9	0V3351	COFFEE COIL 110 V-60HZ	
10	096194	SCREW M6X25	
11	252538	O-RING 2025	
12	0V1385	SINGLE-POLE THERMOSTAT 125 G. 120V	
13	0V0773	STRAIGHT CONNECTION 5/2.5	
14	0V1148	PISTON TUBE	
15	098699	UNION FOR PISTON PIPE	
16	098711	BUSH PISTON PIPE	
17	094611	GASKET O-RING 2018	
18	094872	BOILER TEMPERATURE PROBE	
19	0V0779	O-RING 116	
20	0V0767	UPPER COVER	
21	252684	O-RING	
22	0V0685	1100W-120V RESISTANCE	
23	0V0758	O-RING 4350	
24	0V0768	LOWER COVER	
25	985318	NUT	
26	0V0772	STRAIGHT CONNECTION 6/3	
27	099398	PUMP ACTIVATING TUBE	
28	099107	NUT	
29	097685	SILICONE HOSE BROWN 7.5X12	
30	097510	SILICONE HOSE 5X9 BROWN	
31	098707	VOLUMETRIC COUNTER	
32	097435	WATER FILTER VOLUMETRIC COUNTER	
33	097512	SILICONE HOSE 6X12 BROWN	
34	0V2510	POMPE SUPPORT	
35	093091	PUMP DAMPER	
36	098815	90 DEGREES THERMIC PROTECTION	
37	0V0466	PUMP 110V	
38	0V0797	NON-RETURN VALVE	
39	094231	UNION T-SHAPE	
40	0V0798	PUMP BY-PASS	
41	097898	UNIPOLAR BUTTON	
42	251293	COFFEE BRACKET WIRING	
43	093312	WHIPPING DIAM MM 12 ART 46	
44	090020	WHIPPING MM 16	
45	0V1144	DOSE CHUTE	
46	098566	MOTOREDUCER SUPPORT	

	Code	Description	Notes
47	096355	MICRO SWITCH -UL -	
48	098763	CRANK WITH PIN	
49	0V0458	MOTOREDUCER 110V	
50	251143	ALUMINIUM WASHER	
51	0V2689	COFFEE BRACKET ASSEMBLY	
52	097953	POINTED NOZZLE	
53	251127	BOILER SUPPORT	



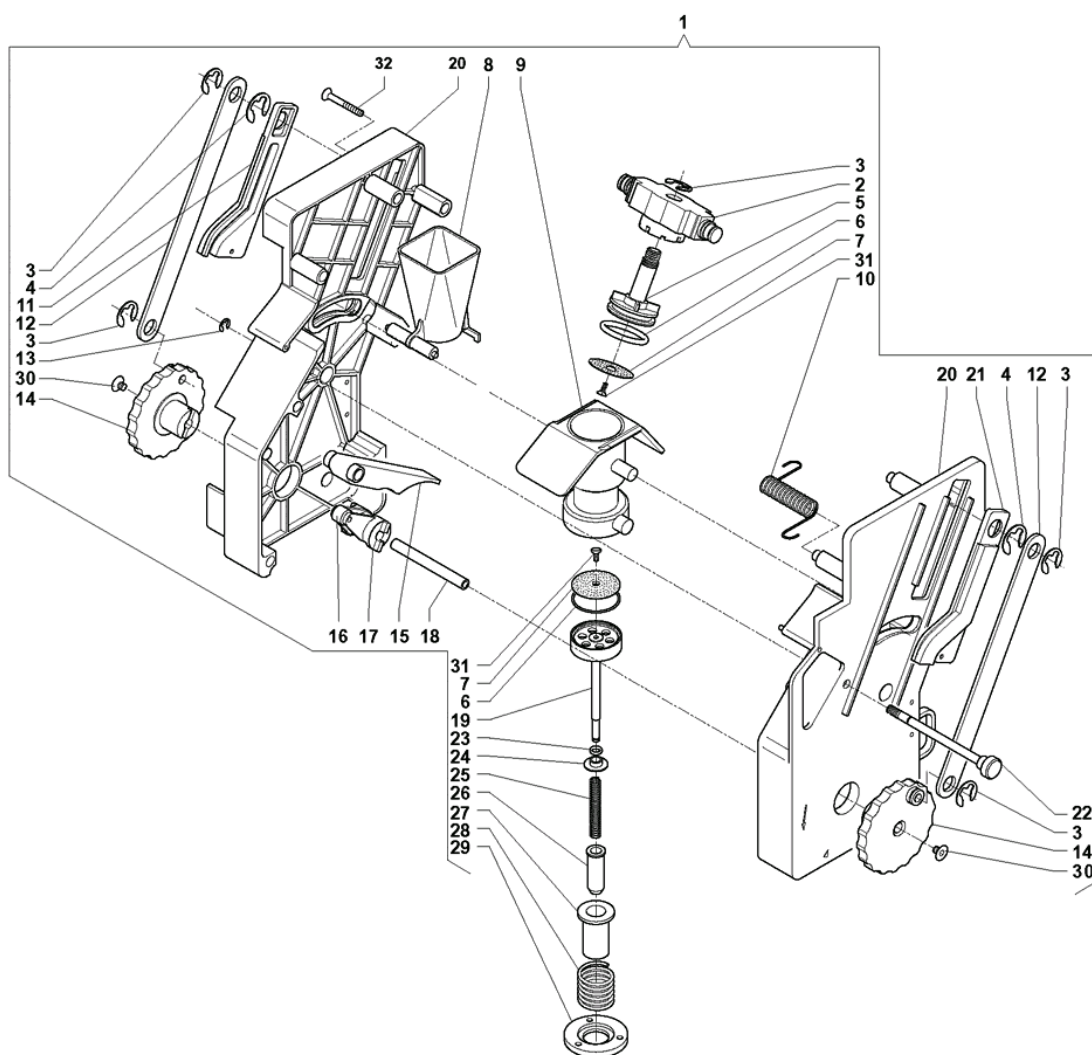
	Code	Description	Notes
1	099857	CONTAINER COMPLET WITH BEATER	
2	099334	POWDERS CANISTER	
3	099494	CANISTER-BEATER	
4	099442	SPRING	
5	099466	LID FOR CONTAINER	
6	098812	SPACER	
7	095936	WHEEL	
8	091959	BENZING COLLAR DIAM MM4	
9	0V1962	PIN FOR WHEEL	
10	095829	GASKET O-RING	
11	098609	SCROLL	
12	095849	CONTAINER RING NUT	
13	251287	94-RPM 110V-60HZ REDUCTION GEARMOTOR	
14	099882	PINION (FOR SMALL SHAFT)	
15	097502	NAMEPLATE GROUP CONTAINER INSTANT P	
16	096868	SQUARE STRAIGHT PIPETTE	
17	097520	POWDER INLET FUNNEL BROWN	
18	096926	WATER FUNNEL DEFLECTOR	
19	0V0180	WATER FUNNEL F.B.	
20	097912	CONVEYOR FOR MIXER	
21	099931	NOZZLE D.5	
22	099889	DISK	
23	097911	FLANGE FOR MIXER	
24	0V0776	O-RING 3125	
25	0V0775	O-RING 106	
26	097917	BUSH SEAL	
27	252729	MIXER VENTILATOR -BLUE-	
28	099331	DRAWER LID	
29	099330	POWDERS DRAWER	
30	097512	SILICONE HOSE 6X12 BROWN	
31	0V3386	DISPENSING SPOUT	
32	0V2669	RIGHT SPOUT SUPPORT	
33	090021	WHIPPING DIAM 10.5 MM	
34	099773	SCREW	
35	0V0526	SUCTION PIPE CONNECTION	
36	096459	HOSE DIAM 32	
37	098703	VENTILATOR PIPE CONNECTION D38	
38	0V0450	MOTORMIXER 110V	
39	0V0464	ELECTROVENTILATOR 110V	
40	099838	STOPPER	
41	097879	NICKELPLATED SCREW	
42	0V2693	DISPENSING OPENING	
43	0V0460	MOTOREDUCER 110V 51G/MIN	
44	0V2670	ASPIRATION SEAL	
45	0V2687	SUCTION	
46	0V2686	AIR DUCT	

	Code	Description	Notes
47	099803	LONG CONVEYOR COVER	
48	099102	RIGHT POWDERS CONVEYOR	
49	098608	LONG SCROLL	
50	0V0555	LONG SCROLL CONTAINER WITH BEATER	FOR CHOCOLATE
51	0V1885	NOZZLE SUPPORT	

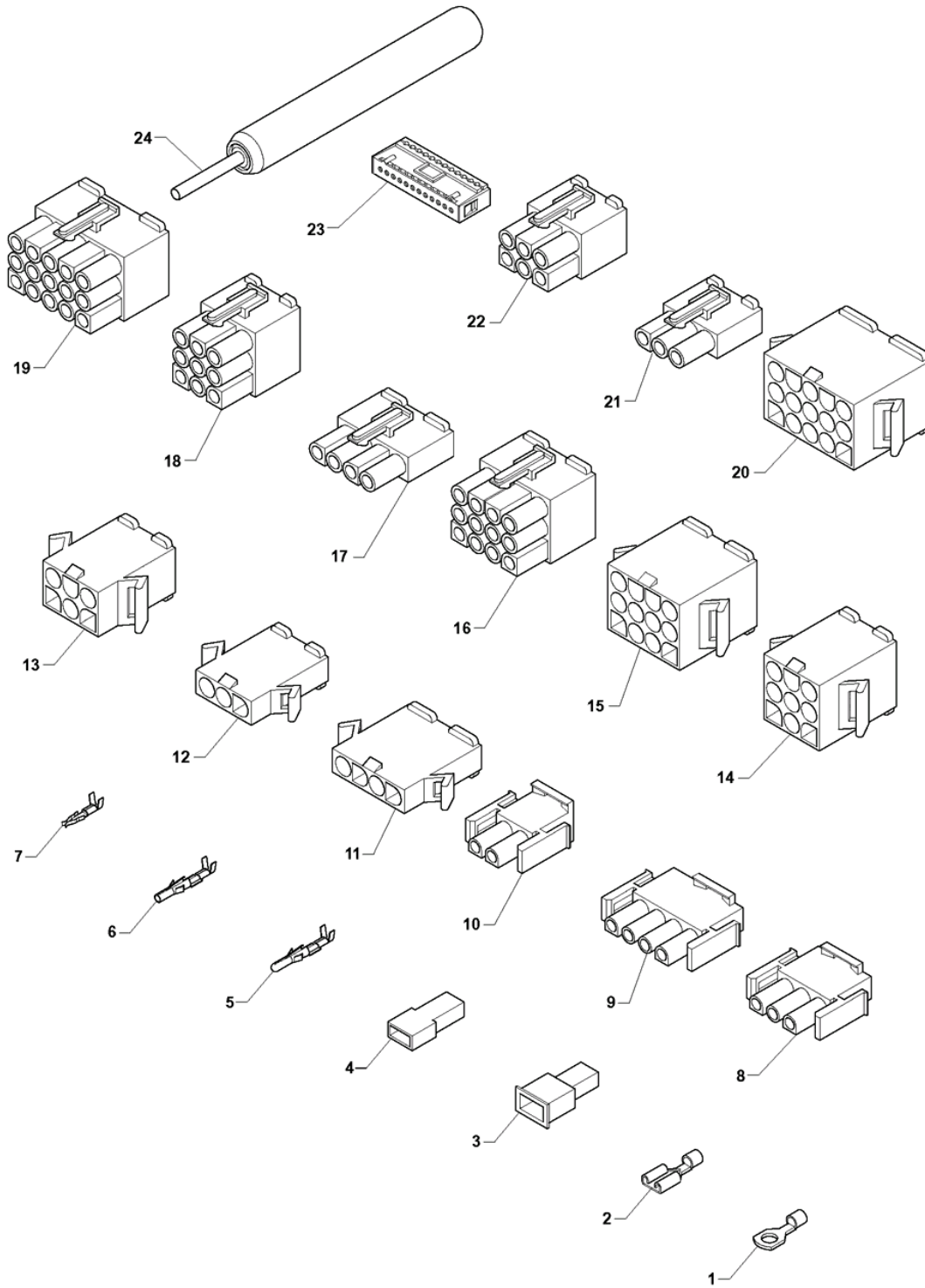


	Code	Description	Notes
1	0V0443	GRINDER 110V	
2	0V0452	GRINDER MOTOR 110V	
3	099468	SUPPORT	
4	099470	SHAFT WHEEL	
5	098293	ELASTIC PLUG	
6	095803	RADIAL BEARING	
7	099469	CAP	
8	099457	WASHER	
9	099484	LITTLE RUBBER	
10	099474	REGULATION SCREW	
11	093171	OUTER FIXING COLLAR DIAM MM6	
12	093271	COFFEE JUNK RING	
13	093187	THRUST BEARING	
14	095802	GRINDER HOLDER IMPELLER	
15	095809	SELF-THREADING SCREW (M4)	
16	097879	NICKELPLATED SCREW	
17	095840	GRINDER	
18	095805	GASKET O-RING	
19	099473	GRINDER HOLDER	
20	096988	WASHER	
21	099471	SPRING	
22	099472	LEFT SCREW	
23	251289	COFFEE CONTAINER ASSEMBLY-UL-	
24	251292	COFFEE CONTAINER LID	
25	0V2700	COFFEE DOSER 110V-60HZ	
26	099475	ACTUATOR	
27	092657	CLOSS SLOT SCREW 3X6TC	
28	0V0468	ELECTROMAGNET 110V	
29	098822	PIN FOR LEVER	
30	098642	SHUTTER COFFEE-DOSER	
31	0V2131	BURGESS MICRO-SWITCH	
32	096097	SCREW	
33	098643	RULE COFFEE-DOSES	
34	098644	LEVER FOR RULE	
35	098696	SPRING DOSER ELECTROMAGNET	
36	093832	ROD PIVOT	
37	094128	GRIP CLIP	
38	093106	BLOCK ROD SPRING COVER	
39	093103	FELT PAD	
40	094635	CLIP	
41	093105	LID BLOCK ROD	
42	093104	FELT DISK	
43	092161	WASHER MM 6.4X130.6	
44	099180	COFFEE BELL SHUTTER	
45	099492	CONTAINER BASE	
46	093107	RING NUT COVERING LOCK ROD	

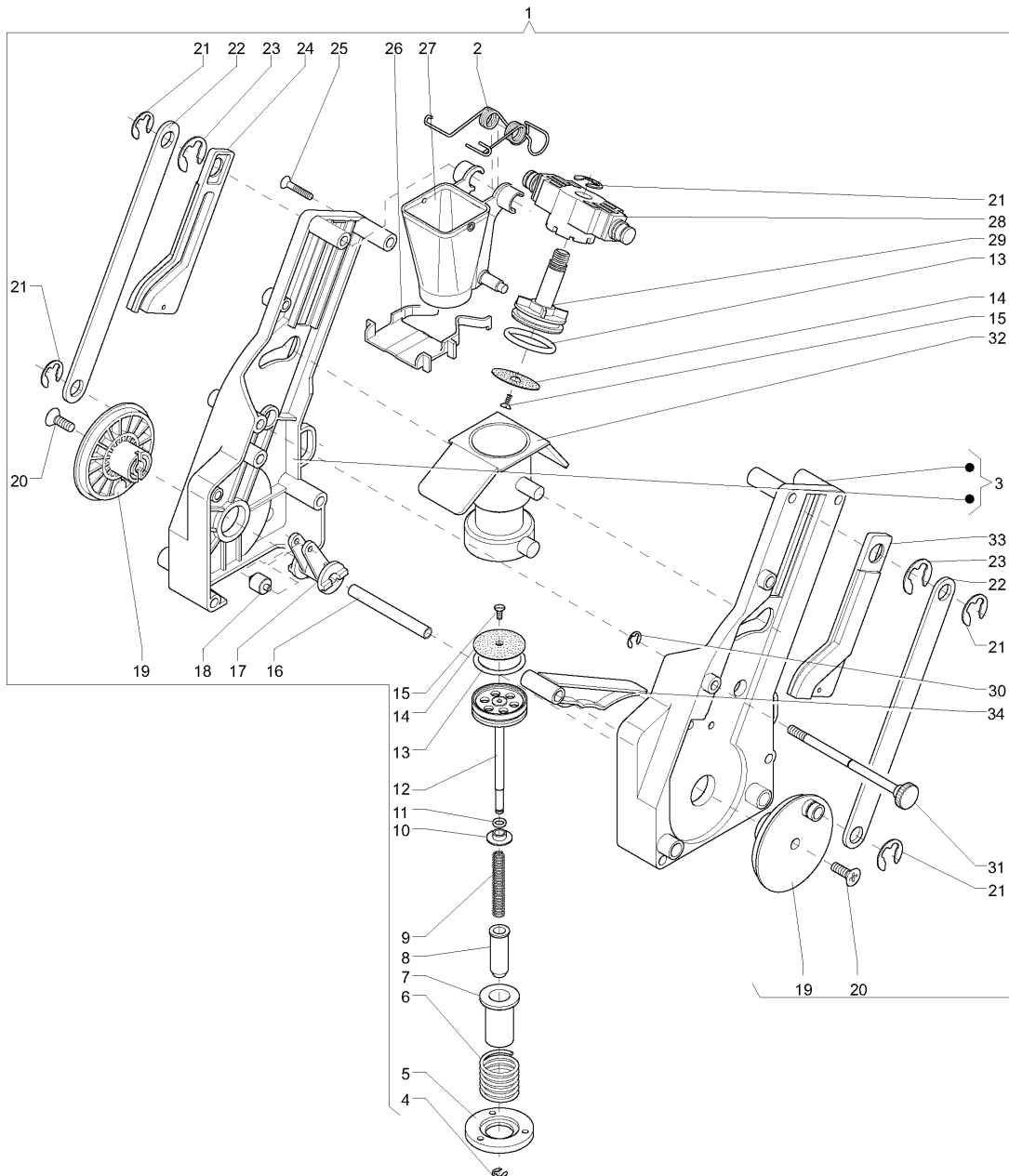
	Code	Description	Notes
47	093108	ROD-DRIVE COLLAR	
48	0V2082	ADAPTER PLATE	
49	0V1565	GRINDER COLLAR	
50	0V2520	SCREW PROTECTION	
51	251128	COFFEE DOSER-BODY	



	Code	Description	Notes
1	0V0786	Z2000S 120V COFFEE UNIT	
2	098568	CROSS-BAR	
3	092717	FIXING COLLAR DIAM MM10	
4	096569	FIXING COLLAR DIAM 12	
5	098577	UPPER PISTON	
6	251089	O-RING - 29.3X3.6 UL	
7	098687	COFFEE FILTER	
8	098570	COFFEE CHUTE	
9	0V1715	BREWING CHAMBER W/PLUG	
10	098920	SCRAPER	
11	098571	REAR SLEDGE	
12	098565	TRACE FOR PISTON COMMAND	
13	098818	STOPPING RING D.4	
14	098573	CRANK	
15	098575	OSCILLATING LEVER	
16	098692	ROTATING LEVER ROLL	
17	098574	ROTATING LEVER	
18	098693	ROD CRANK BLOCKING	
19	099490	LOWER PISTON	
20	0V1714	FRONT AND REAR SHOULDER	
21	098572	FRONT SLEDGE	
22	098694	ROD WITH KNURL	
23	0V0782	O-RING 2025	
24	098690	CONTROL BUSH	
25	098688	PISTON RETURN SPRING	
26	098691	LOWER PISTON GUIDE	
27	098567	LID FOR SPRING	
28	098689	PREINFUSION SPRING	
29	098569	FLANGE FOR SPRING	
30	0V3889	SCREW 6X14	
31	251235	STEEL SCREW M3X10MM	
32	250290	SCREW 4.2X26	



	Code	Description	Notes
1	090957	EYELET TERMINAL	
2	090959	FASTON W/O TONGUE	
3	091192	FASTON COVER	
4	090247	FEMALE FASTON COVER	
5	095955	TERMINAL MALE	
6	096136	TERMINAL FEMALE	
7	094405	TERMINAL FEMALE 2.5	
8	094954	FEMALE HOLDER CONNECTOR 3-WAYS	
9	098062	4-WAY CONNECTOR MATE-N-LOK AMP	
10	094955	FEMALE HOLDER CONNECTOR 2-WAYS	
11	0V0809	4-PIN CONNECTOR/P MOLEX 3191	
12	0V0808	3-PIN CONNECTOR/P MOLEX 3191	
13	0V0810	6-PIN CONNECTOR/P MOLEX 3191	
14	0V0811	9-PIN CONNECTOR/P MOLEX 3191	
15	0V0812	12-PIN CONNECTOR/P MOLEX 3191	
16	0V0818	12-PIN CONNECTOR/P MOLEX 3191	
17	0V0815	4-PIN CONNECTOR/P MOLEX 3191	
18	0V0817	9-PIN CONNECTOR/P MOLEX 3191	
19	0V0819	15-PIN CONNECTOR/P MOLEX 3191	
20	0V0813	15-PIN CONNECTOR/P MOLEX 3191	
21	0V0814	3-PIN CONNECTOR/P MOLEX 3191	
22	0V0816	6-PIN CONNECTOR/P MOLEX 3191	
23	094961	FEMALE HOLDER CONNECTOR P.I. 12-W	
24	0V0820	MOLEX CONTACT PULLER	



	Code	Description	Notes
1	253236	Z3000 COFFEE ASSEMBLY -USA UL-	
2	252277	SCRAPER SPRING	
3	251101	RH-LH SUPPORT	
4	098818	STOPPING RING D.4	
5	098569	FLANGE FOR SPRING	
6	098689	PREINFUSION SPRING	
7	098567	LID FOR SPRING	
8	098691	LOWER PISTON GUIDE	
9	098688	PISTON RETURN SPRING	
10	098690	CONTROL BUSH	
11	0V0782	O-RING 2025	
12	099490	LOWER PISTON	
13	251089	O-RING - 29.3X3.6 UL	
14	098687	COFFEE FILTER	
15	251235	STEEL SCREW M3X10MM	
16	098693	ROD CRANK BLOCKING	
17	098574	ROTATING LEVER	
18	098692	ROTATING LEVER ROLL	
19	098573	CRANK	
20	0V3889	SCREW 6X14	
21	092717	FIXING COLLAR DIAM MM10	
22	098565	TRACE FOR PISTON COMMAND	
23	096569	FIXING COLLAR DIAM 12	
24	098571	REAR SLEDGE	
25	250290	SCREW 4.2X26	
26	251740	COFFEE SCRAPER	
27	251739	Z3000 COFFEE CHUTE	
28	098568	CROSS-BAR	
29	098577	UPPER PISTON	
30	091287	OUTER FIXING COLLAR	
31	252020	TIEROD WITH KNURLED NUT	
32	253596	BREWING CHAMBER W/PLUG	
33	098572	FRONT SLEDGE	
34	098575	OSCILLATING LEVER	