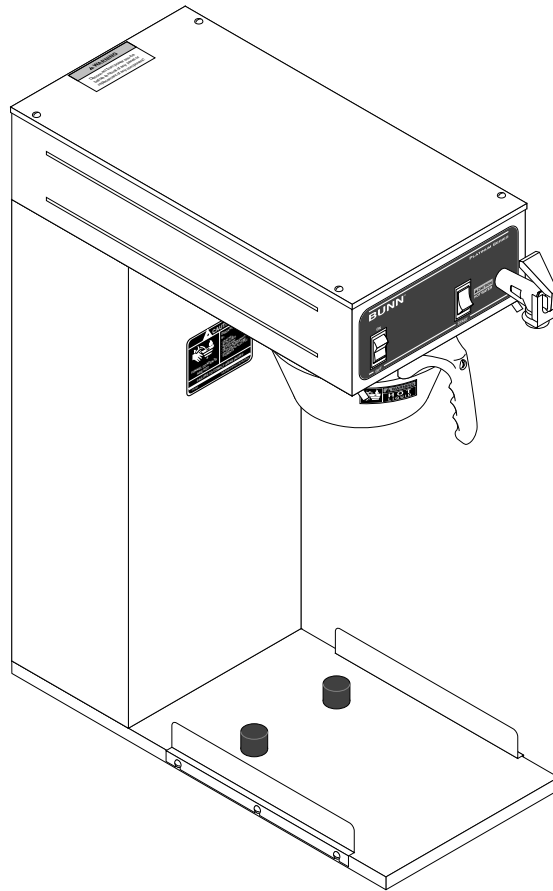


BUNN®

GMB-PS



ILLUSTRATED PARTS CATALOG

Designs, materials, weights, specifications, and dimensions for equipment or replacement parts are subject to change without notice.

BUNN-O-MATIC CORPORATION

POST OFFICE BOX 3227

SPRINGFIELD, ILLINOIS 62708-3227

PHONE: (217) 529-6601 FAX: (217) 529-6644

BUNN-O-MATIC COMMERCIAL PRODUCT WARRANTY

Bunn-O-Matic Corp. ("BUNN") warrants equipment manufactured by it as follows:

- 1) All equipment other than as specified below: 2 years parts and 1 year labor.
- 2) Electronic circuit and/or control boards: parts and labor for 3 years.
- 3) Compressors on refrigeration equipment: 5 years parts and 1 year labor.
- 4) Grinding burrs on coffee grinding equipment to grind coffee to meet original factory screen sieve analysis: parts and labor for 3 years or 30,000 pounds of coffee, whichever comes first.

These warranty periods run from the date of installation BUNN warrants that the equipment manufactured by it will be commercially free of defects in material and workmanship existing at the time of manufacture and appearing within the applicable warranty period. This warranty does not apply to any equipment, component or part that was not manufactured by BUNN or that, in BUNN's judgment, has been affected by misuse, neglect, alteration, improper installation or operation, improper maintenance or repair, damage or casualty. This warranty is conditioned on the Buyer 1) giving BUNN prompt notice of any claim to be made under this warranty by telephone at (217) 529-6601 or by writing to Post Office Box 3227, Springfield, Illinois 62708-3227; 2) if requested by BUNN, shipping the defective equipment prepaid to an authorized BUNN service location; and 3) receiving prior authorization from BUNN that the defective equipment is under warranty.

THE FOREGOING WARRANTY IS EXCLUSIVE AND IS IN LIEU OF ANY OTHER WARRANTY, WRITTEN OR ORAL, EXPRESS OR IMPLIED, INCLUDING, BUT NOT LIMITED TO, ANY IMPLIED WARRANTY OF EITHER MERCHANTABILITY OR FITNESS FOR A PARTICULAR PURPOSE. The agents, dealers or employees of BUNN are not authorized to make modifications to this warranty or to make additional warranties that are binding on BUNN. Accordingly, statements by such individuals, whether oral or written, do not constitute warranties and should not be relied upon.

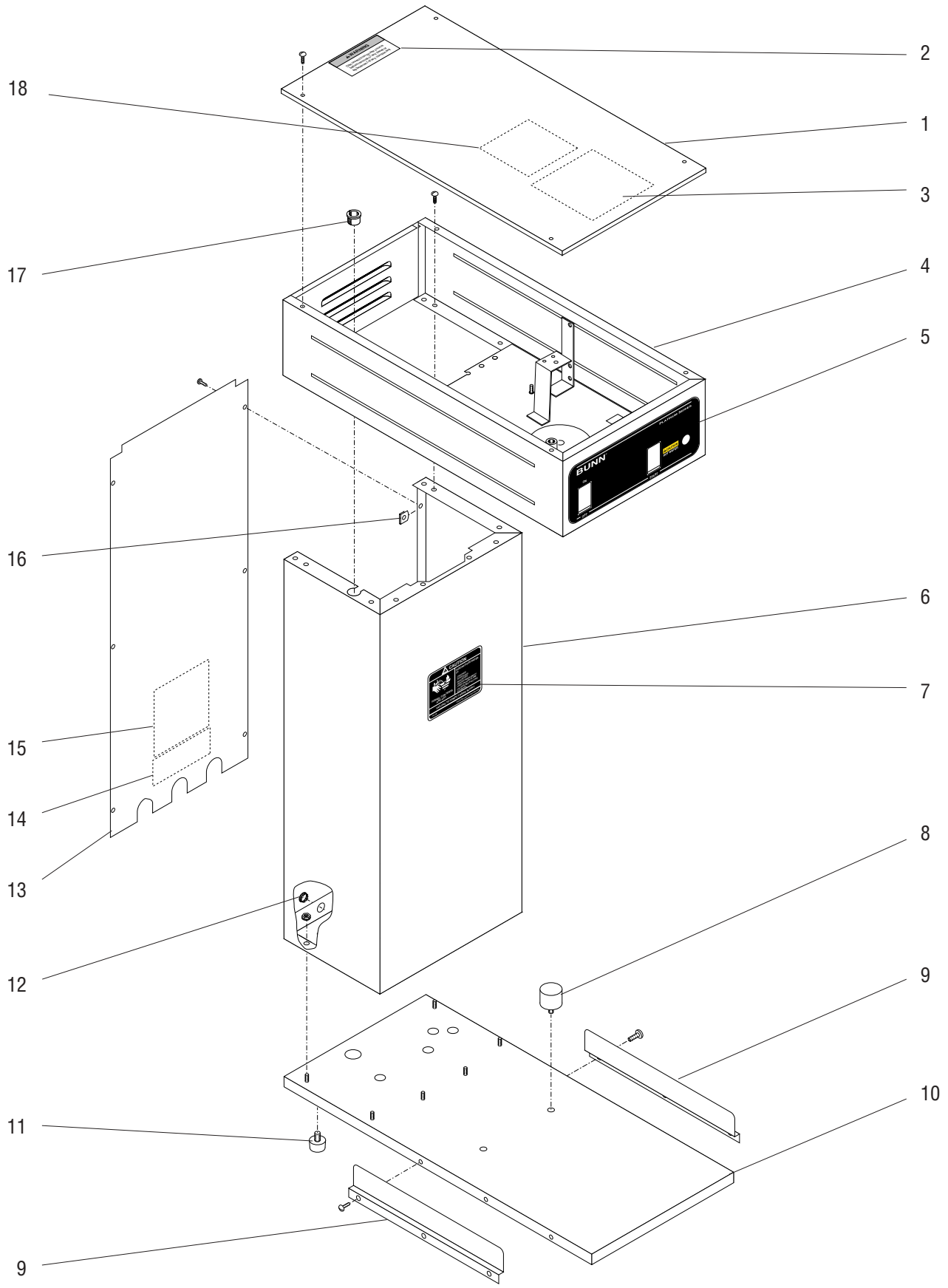
If BUNN determines in its sole discretion that the equipment does not conform to the warranty, BUNN, at its exclusive option while the equipment is under warranty, shall either 1) provide at no charge replacement parts and/or labor (during the applicable parts and labor warranty periods specified above) to repair the defective components, provided that this repair is done by a BUNN Authorized Service Representative; or 2) shall replace the equipment or refund the purchase price for the equipment.

THE BUYER'S REMEDY AGAINST BUNN FOR THE BREACH OF ANY OBLIGATION ARISING OUT OF THE SALE OF THIS EQUIPMENT, WHETHER DERIVED FROM WARRANTY OR OTHERWISE, SHALL BE LIMITED, AT BUNN'S SOLE OPTION AS SPECIFIED HEREIN, TO REPAIR, REPLACEMENT OR REFUND.

In no event shall BUNN be liable for any other damage or loss, including, but not limited to, lost profits, lost sales, loss of use of equipment, claims of Buyer's customers, cost of capital, cost of down time, cost of substitute equipment, facilities or services, or any other special, incidental or consequential damages.

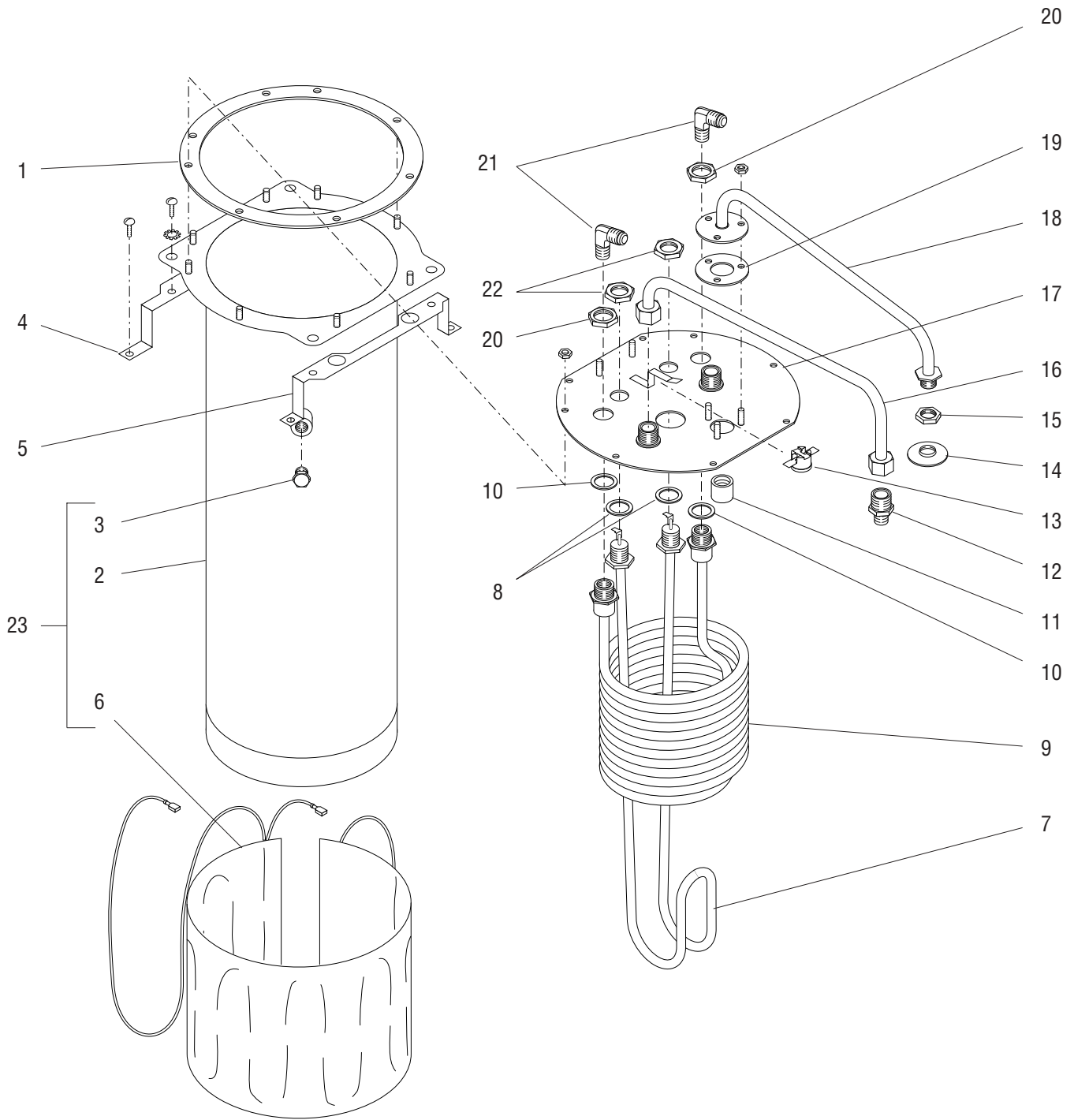
TABLE OF CONTENTS

TITLE	PAGE NO.
Base, Trunk, Hood and Covers	4
Electrical and Operating Controls.....	12
Faucet	10
Funnel	14
Numerical Index.....	16
Tank and Components	6
Strainer, Flow Control, Solenoid and Lines	8



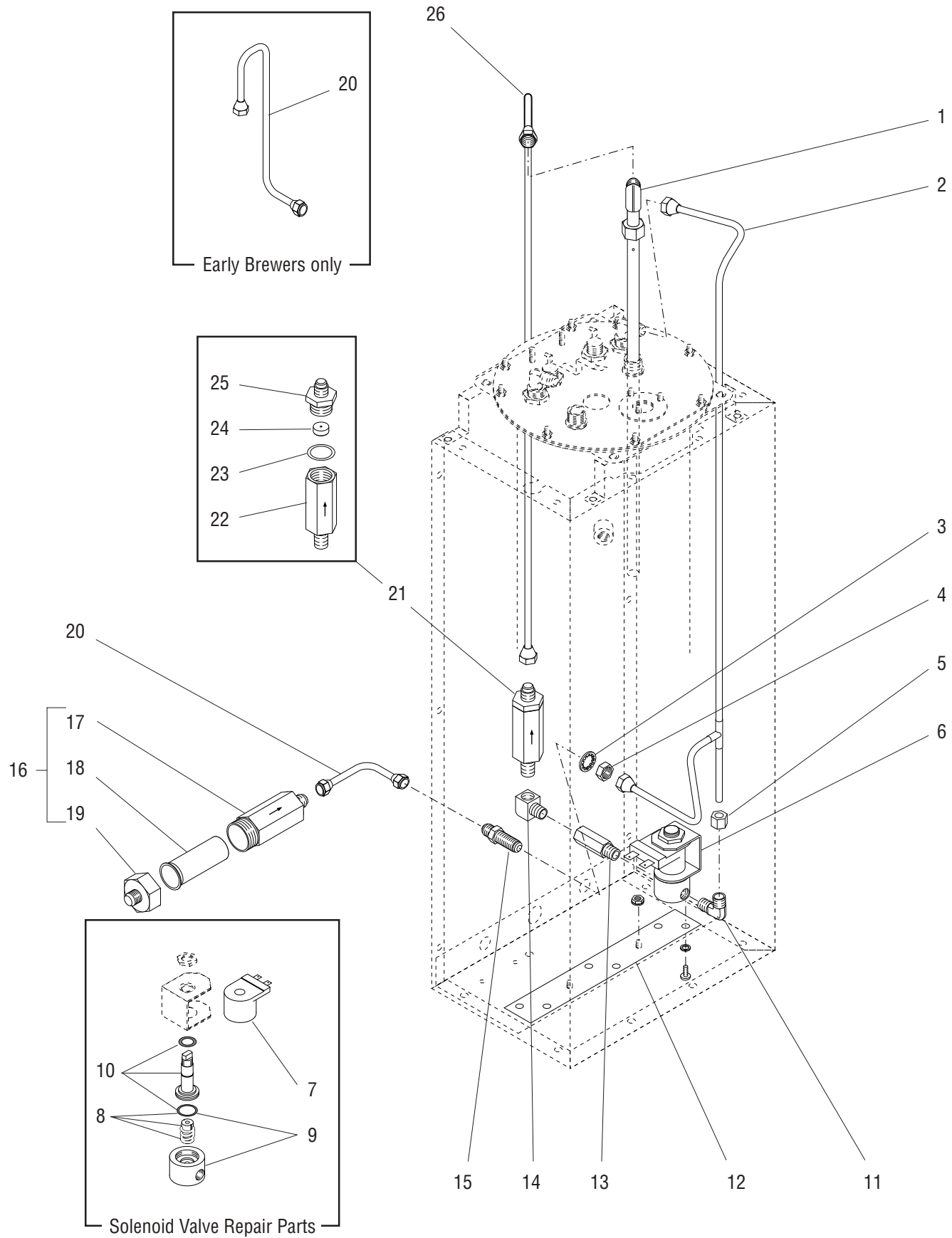
BASE, TRUNK, HOOD AND COVERS

ITEM	PART NO.	QTY.	DESCRIPTION
1	21832.0001	1	Cover W/Decals, Top (Includes items 2 & 3)(Also order item 18)
	01382.0000	4	Screw, Pan Head 6 - 32 x .375"
2	10044.0000	1	Decal, Warning-Shut Off Power
3	27464.0000	1	Schematic, Electrical 120V
4	27595.0000	1	Hood W/Decal (Includes item 5) (120V Brewers)
	27595.0001	1	Hood W/Decal (Includes item 5) (120/240V Brewers)
	02308.0000	6	Screw, Pan Head 8 - 32 x .375"
5	27463.0000	1	Decal, Control Panel (120V Brewers) (Shown)
	27463.0001	1	Decal, Control Panel (120/240V Brewers)
6	27598.0000	1	Housing, Trunk (Includes item 7) (120V Brewers)
	27598.0001	1	Housing, Trunk (Includes item 7) (120/240V Brewers)
	00970.0000	6	Nut, Keps 8 - 32
7	00658.0000	1	Decal, Funnel Contents
8	00754.0001	2	Locator, Server
9	03772.0001	2	Guide, Base
	01317.0003	6	Screw, Truss Head Locking 8 - 32 x .375"
10	03767.0004	1	Base
11	25137.0001	4	Foot, Rubber
12	00619.0010	1	Plug, Hole .438" Dia.
13	22297.0001	1	Panel W/Decals, Trunk (Includes items14 & 15) (120V Brewers)
	22297.0002	1	Panel W/Decals, Trunk (Includes items14 & 15) (120/240V Brewers)
	01315.0000	6	Screw, Truss Head 8 - 32 x .375"
14	00656.0000	1	Decal, Comply to Plumbing Code
15	00831.0000	1	Decal, Warning-Electrical
16	00917.0000	6	Clip, J-Type 8 - 32
17	00614.0000	1	Bushing, Split
18	32540.0000	1	Decal, Digital Timer - Batch Set



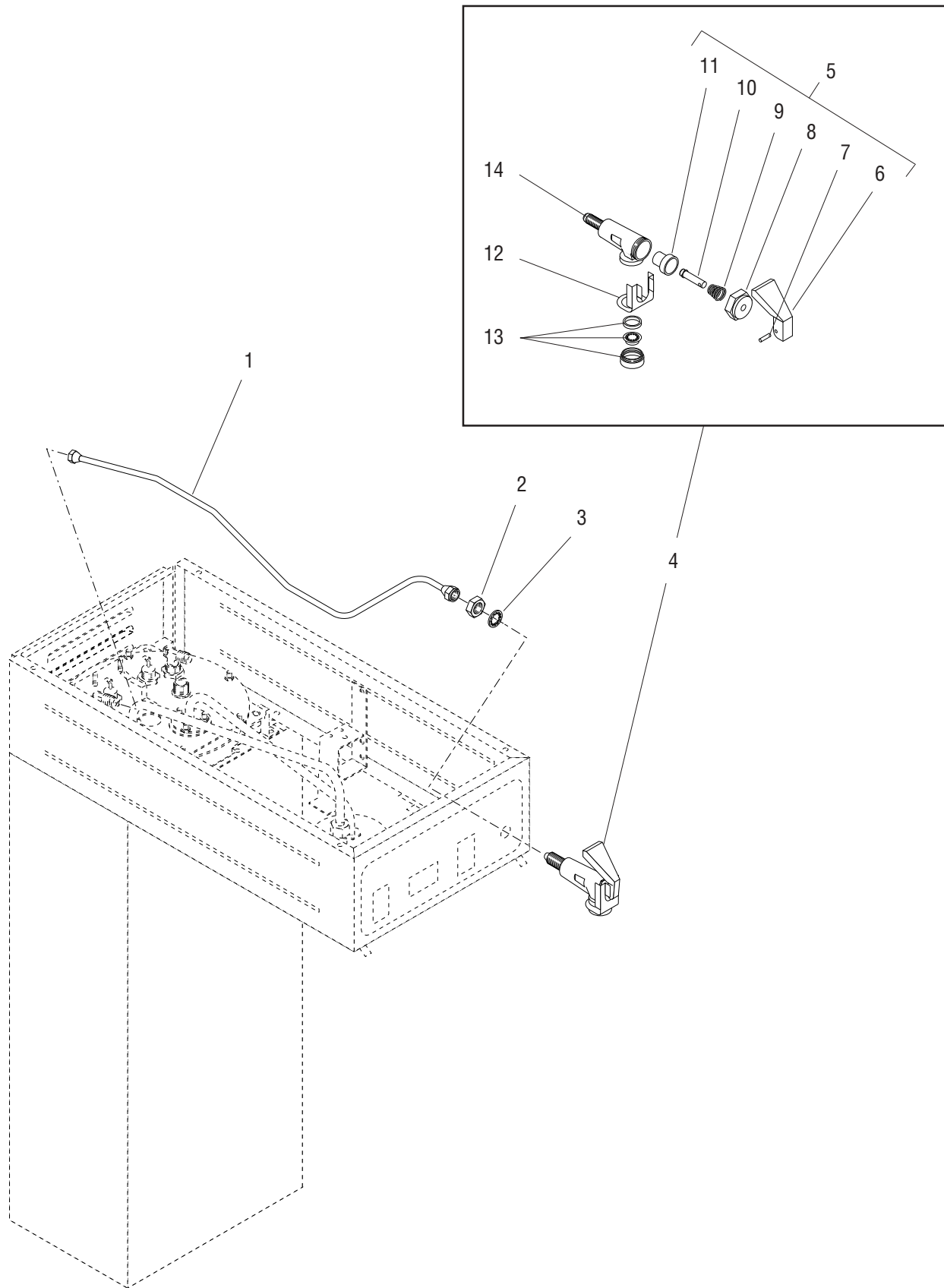
TANK AND COMPONENTS

ITEM	PART NO.	QTY.	DESCRIPTION
1	04221.0000	1	Gasket, Tank Lid
2	20201.3000	1	Tank, 1.6 Gallon
	01315.0000	4	Screw, Truss Head 8 - 32 x .375"
	01512.0000	4	Lockwasher, External Tooth #10 (Early models only)
3	20201.6001	1	Plug, Pipe .25" NPT
4	20254.0001	1	Bracket, Tank Support (Rear)
	02308.0000	2	Screw, Pan Head 8 - 32 x .375"
5	20254.0000	1	Bracket, Tank Support (Front)
	02308.0000	2	Screw, Pan Head 8 - 32 x .375"
6	04260.0000	1	Blanket Warmer, 50W 120V
7	03070.1000	1	Tank Heater Kit, 1680W 120V (Includes item 8)
	20201.0750	1	Tank Heater Kit, 1680W 240V (Includes item 8)
	20201.6350	1	Tank Heater Kit, 3500W 208V (Includes item 8)
8	00943.0000	2	Gasket, Tank Heater
9	12689.1000	1	Coil Assembly, Hot Water (Includes item 10)
10	12688.0000	2	Gasket, Water Coil
11	05518.0000	1	Syphon Hub
12	00406.0001	1	Fitting, Compression .375" Tube x .125" MPT
13	29329.1000	1	Thermostat, Limit 230°F 30 AMP
14	01082.0000	1	Sprayhead, 6 Hole
15	01075.0000	1	Nut, Hex .438" - 20
16	20262.0000	1	Tube Assembly, Vent
17	20201.3103	1	Tank Lid
	00908.0000	8	Nut, 8 - 32
18	20263.0000	1	Tube Assembly, Sprayhead
	00908.0000	3	Nut, 8 - 32
19	05515.0000	1	Gasket, Sprayhead Tube
20	12687.0000	2	Nut, Hex .562" - 24
21	00400.0001	2	Elbow, .25" Flare x .125" MPT
22	00942.0000	2	Nut, Hex .50" - 20
23	20842.0000	1	Tank W/Blanket Warmer 120V (Includes items 2, 3 and 6)



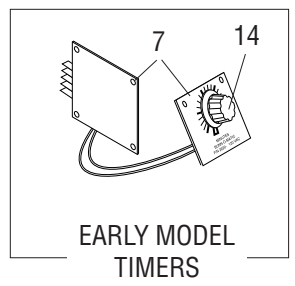
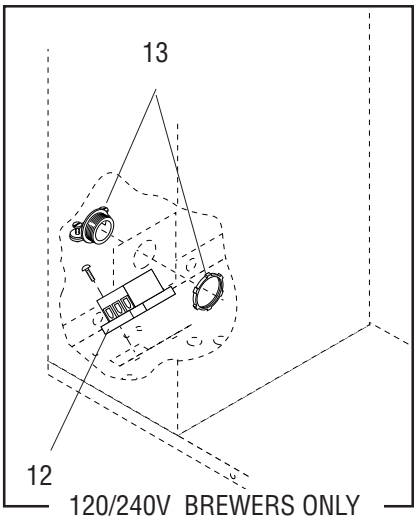
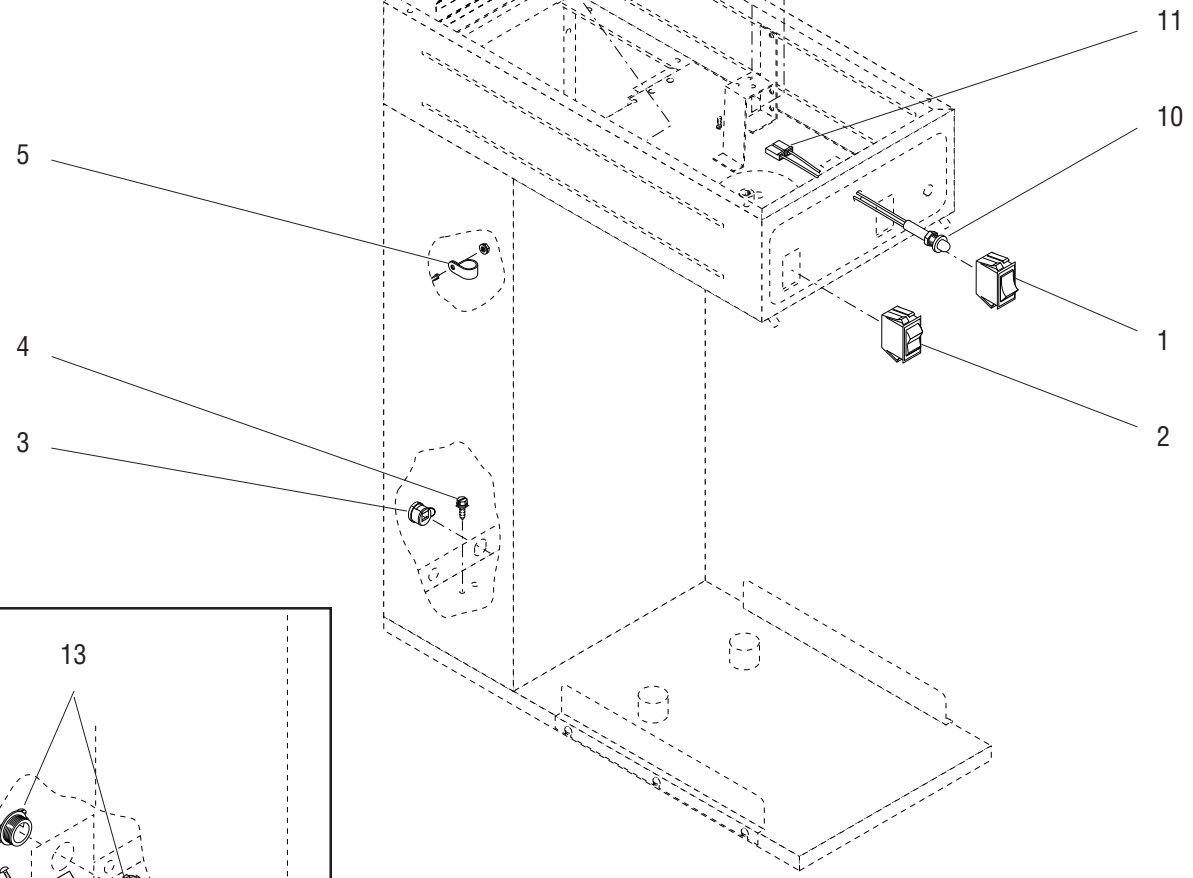
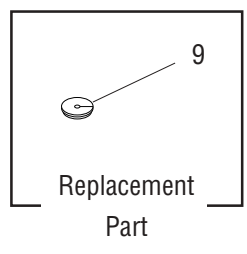
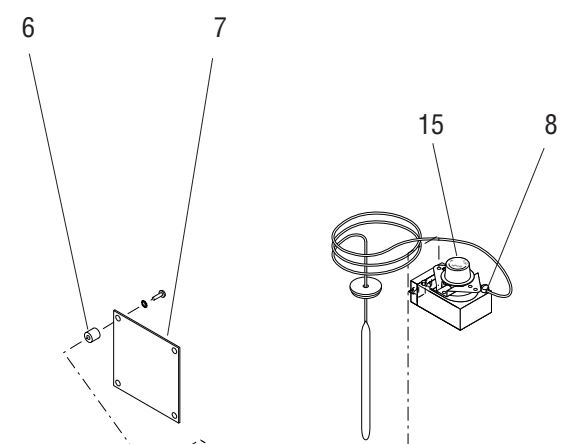
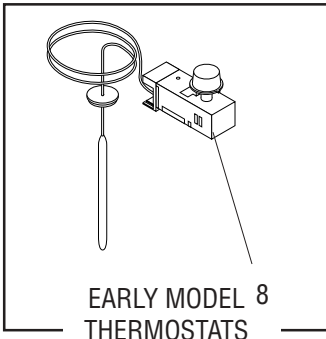
STRAINER, FLOW CONTROL, SOLENOID AND LINES

ITEM	PART NO.	QTY.	DESCRIPTION
1	13085.0002	1	Tube Assy, Tank Fill
2	27601.0000	1	Tube Assy, Bulkhead to Coil/Tank (Includes item 5)
3	01532.0000	1	Lockwasher, Internal Tooth .438" I.D.
4	00463.0000	1	Nut, Hex .438" - 20
5	00443.0001	1	Nut/Sleeve, Compression .25" Tube
6	-----	1	Solenoid Valve, 120V, 1.48" Dia. Coil (Not available. Order 01085.0002)
	01085.0002	1	Solenoid Valve, 120V, 1.0" Dia. Coil (Includes items 7 - 10)
	01327.0000	2	Screw, Pan Head 10 - 32 x .375"
	01502.0000	2	Lockwasher Split #10
7	28480.0000	1	Valve Coil, 120V
8	01111.0002	1	Valve Repair Kit
9	28479.0000	1	Base Kit (Includes O-ring)
10	28481.0000	1	Guide Kit (Includes Washer and O-ring)
11	00465.0001	1	Elbow/Nut Assy, .25" Tube x .125" MPT (Includes item 5)
12	03170.0000	1	Plate, Mounting
	00970.0000	2	Nut, Keps 8 - 32
13	00458.0001	1	Adapter, .125" MPT x .125" FPT
14	00432.0001	1	Elbow, .125" MPT x .125" FPT
15	00459.0000	1	Bulkhead Fitting, .25" Flare
16	23820.1000	1	Water Strainer Assy (Includes items 17, 18 & 19)
17	-----	1	Housing, Water Strainer (Not available order item 16)
18	23721.0000	1	Screen
19	22249.0000	1	Cap, end
20	24354.0000	1	Tube Assy (Early Brewers)
	00310.0000	1	Tube Assy (Late Brewers)
21	-----	1	Flow Control Assy, .222 GPM (Order 20528.1175)
	20528.1175	1	Flow Control Assy, .175 GPM (Includes items 22 thru 25)
22	-----	1	Housing, Flow Control (Not available order item 21)
23	01155.0000	1	Flow Control Gasket
24	20526.0175	1	Flow Washer/Gasket Kit, .175 GPM (Includes item 23)
25	01154.0001	1	Flow Control Outlet
26	21812.0012	1	Tube Assy, Flow Control to Tank



FAUCET

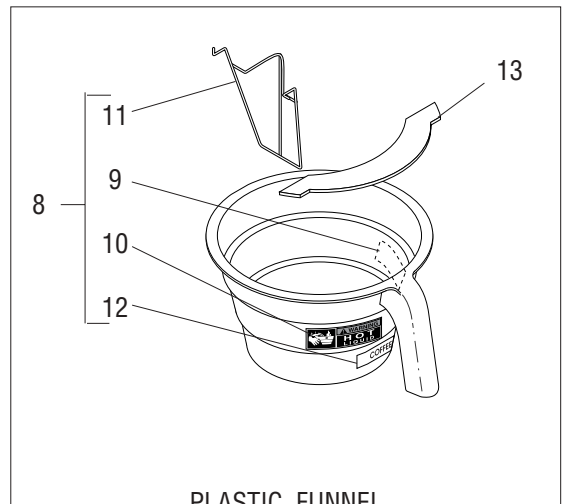
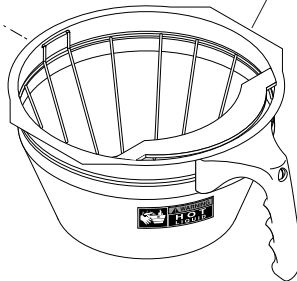
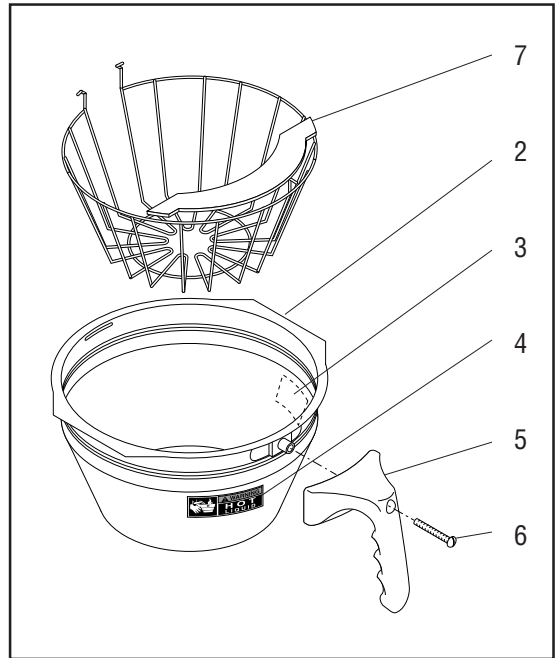
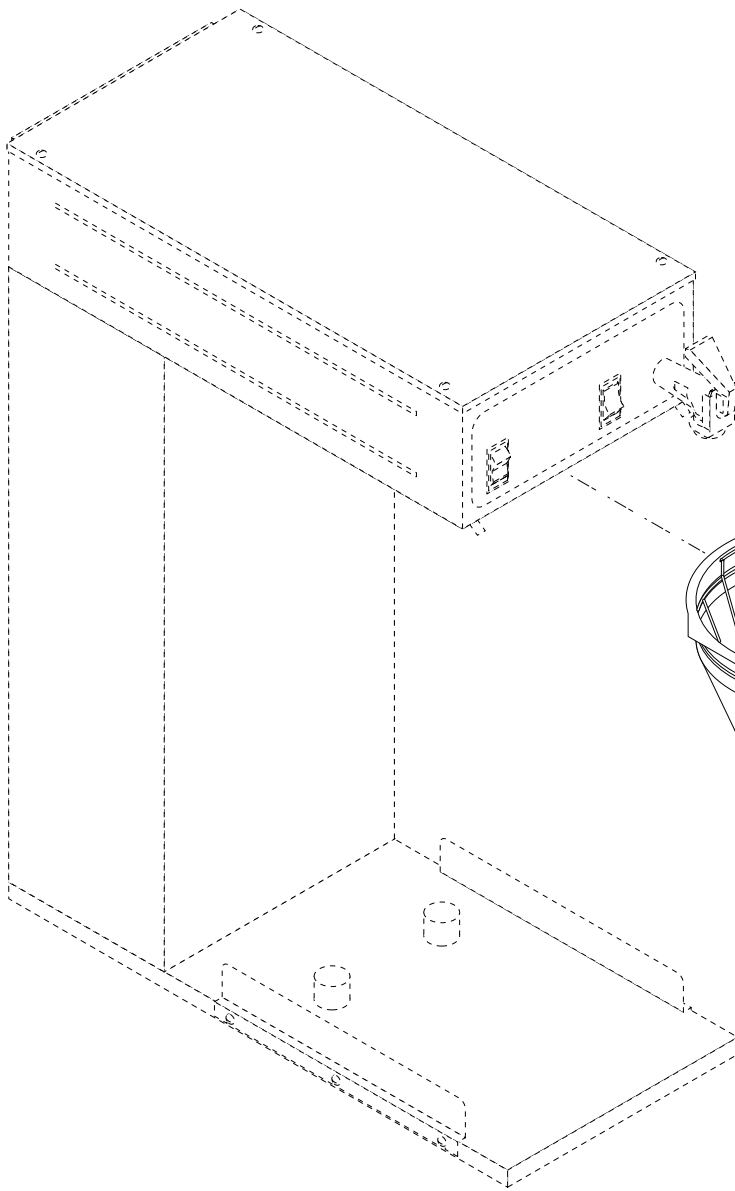
ITEM	PART NO.	QTY.	DESCRIPTION
1	20274.0000	1	Tube Assy, Coil to Faucet
2	13059.0000	1	Faucet Jam Nut
3	01532.0000	1	Lockwasher, Internal Tooth .438" I.D.
4	12915.0000	1	Faucet, Hot Water (Includes items 5 thru 14)
5	13061.0000	1	Faucet Handle/Stem Assy (Includes items 6 thru 11)
6	13053.0000	1	Faucet Handle/Pin Kit (Includes item 7)
7	02858.0000	1	Pin, Spring .125" Dia. x .50"
8	13060.0000	1	Faucet Bonnet Nut
9	13055.0000	1	Faucet Spring
10	13054.0000	1	Faucet Stem
11	13056.0000	1	Faucet Seat Cup
12	13057.0000	1	Faucet Safety Clip
13	13058.0000	1	Faucet Aerator Kit
14	-----	1	Body, Faucet (Not available order item 4)



ELECTRICAL AND OPERATING CONTROLS

ITEM	PART NO.	QTY.	DESCRIPTION
1	11633.0000	1	Switch, Momentary Start
2	02753.0000	1	Switch, On/Off
3	00707.0000	1	Bushing, Strain Relief
4	01309.0000	1	Ground Screw W/Terminal Washer 10 - 32 x .50"
5	00603.0000	1	Clamp, Cable
	00970.0000	1	Nut, Keps 8 - 32
6	01533.0000	2	Spacer, .375"
7	-----	1	Timer, 8 Minute 120V (Early Models) (Order Late Model Timer)
	32400.0002	1	Timer Kit, Digital (120V) (Late Models)
	01388.0000	2	Screw, Truss Head 6 - 32 x .75"
	01510.0000	2	Lockwasher, External Tooth #6
	01347.0000	2	Screw, Truss Head 6 - 32 x .375"
8	03024.0005	1	Thermostat Kit (Late Models) (Also replaces early model thermostat)
	01310.0000	1	Screw, Pan Head 6 - 32 x .25"
	01510.0000	1	Lockwasher, External Tooth #6
	20762.0000	2	Screw, Binding Head 8 - 32 x .25" (Terminal Screws)
9	07073.0000	1	Grommet, Thermostat
10	12984.0004	1	Lamp Assy, Green 120V (Includes item 11)
11	04242.0000	2	Terminal
12	07038.0000	1	Terminal Block, 3 pole Red/Wht/Blk
	01317.0000	2	Screw, Truss Head 8 - 32 x .50"
13	01590.0000	1	Connector, Cable .750" NPT
14	02239.0000	1	Knob W/Setscrew, Timer
15	00720.0000	1	Knob, Thermostat
Note: The following items are not illustrated			
16	01637.0000	1	Power Cord (120V only)
17	27462.0000	1	Wiring Harness, Main 120V
	27462.0001	1	Wiring Harness, Main 120/240V
18	21000.0019	1	Lead, Electrical Black 5.0" (Wiring Harness to Warmer Blanket)
19	21001.0016	1	Lead, Electrical White 5.0" ((Wiring Harness to Warmer Blanket)
20	21016.9002	1	Lead, Electrical Black 9.0" (Control Thermostat to Thermal Safety Fuse)
21	21016.9003	1	Lead, Electrical Blue/Black 11.0" (Limit Thermostat to Control Thermostat)
22	20211.0100	1	Thermal Safety Fuse (Control Thermostat to Tank Heater)
23	00636.0000	1	Shield, Electrical Component 7.0" x 9.0"
24	00637.0000	1	Shield, Electrical Component 5.0" x 9.0"
25	00617.0000	2	CableTie, Nylon 3.90"
26	10003.0000	1	Tag, Thermostat
27	12985.0000	1	Wiring Harness, Ready Light

120/240V Brewers only



PLASTIC FUNNEL

FUNNEL

ITEM	PART NO.	QTY.	DESCRIPTION
1	20201.1202	1	Funnel Assembly, SST Black Handle (Includes items 2 thru 7)
2	24462.0000	1	Funnel W/Decals (Includes items 3 & 4)
3	03408.0000	1	Decal, Caution- Remove Funnel
4	03409.0000	1	Decal, Caution-Hot Liquid
5	20201.1100	1	Handle, Funnel
6	12499.0002	1	Screw, Round Head .25" - 20 x 1.50"
7	33168.0000	1	Basket, Funnel w/splashguard
8	22735.0000	1	Funnel Assy, Plastic Blk (Includes items 9 thru 11 & 13)
9	03408.0000	1	Decal, Caution - Remove Funnel
10	03409.0000	1	Decal, Caution - Hot Liquid
11	21911.0000	1	Funnel Adapter, Water By-Pass
12	20269.0000	1	Decal, COFFEE
13	32965.0000	1	Splashguard

NUMERICAL INDEX

PART NO.	PAGE NO.	PART NO.	PAGE NO.	PART NO.	PAGE NO.	PART NO.	PAGE NO.
00310.0000	9	03408.0000	15	21911.0000	15		
00400.0001	7	03409.0000	15	22249.0000	9		
00406.0001	7	03767.0004	5	22297.0001	5		
00432.0001	9	03772.0001	5	22297.0002	5		
00443.0001	9	04221.0000	7	22735.0000	15		
00458.0001	9	04242.0000	13	23721.0000	9		
00459.0000	9	04260.0000	7	23820.1000	9		
00463.0000	9	05515.0000	7	24354.0000	9		
00465.0001	9	05518.0000	7	24462.0000	15		
00603.0000	13	07038.0000	13	25137.0001	5		
00614.0000	5	07073.0000	13	27462.0000	13		
00617.0000	13	10003.0000	13	27462.0001	13		
00619.0010	5	10044.0000	5	27463.0000	5		
00636.0000	13	11633.0000	13	27463.0001	5		
00637.0000	13	12499.0002	15	27464.0000	5		
00656.0000	5	12687.0000	7	27595.0000	5		
00658.0000	5	12688.0000	7	27595.0001	5		
00707.0000	13	12689.1000	7	27598.0000	5		
00720.0000	13	12915.0000	11	27598.0001	5		
00754.0001	5	12984.0004	13	27601.0000	9		
00831.0000	5	12985.0000	13	28479.0000	9		
00908.0000	7	13053.0000	11	28480.0000	9		
00917.0000	5	13054.0000	11	28481.0000	9		
00942.0000	7	13055.0000	11	29329.1000	7		
00943.0000	7	13056.0000	11	32400.0002	13		
00970.0000	5,9,13	13057.0000	11	32540.0000	5		
01075.0000	7	13058.0000	11	32965.0000	15		
01082.0000	7	13059.0000	11	33168.0000	15		
01085.0002	9	13060.0000	11				
01111.0002	9	13061.0000	11				
01154.0001	9	13085.0002	9				
01155.0000	9	20201.0750	7				
01309.0000	13	20201.1100	15				
01310.0000	13	20201.1202	15				
01315.0000	5,7	20201.3000	7				
01317.0000	13	20201.3103	7				
01317.0003	5	20201.6001	7				
01327.0000	9	20201.6350	7				
01347.0000	13	20211.0100	13				
01382.0000	5	20254.0000	7				
01388.0000	13	20254.0001	7				
01502.0000	9	20262.0000	7				
01510.0000	13	20263.0000	7				
01512.0000	7	20269.0000	15				
01532.0000	9,11	20274.0000	11				
01533.0000	13	20526.0175	9				
01590.0000	13	20528.1175	9				
01637.0000	13	20762.0000	13				
02239.0000	13	20842.0000	7				
02308.0000	5,7	21000.0019	13				
02753.0000	13	21001.0016	13				
02858.0000	11	21016.9002	13				
03024.0005	13	21016.9003	13				
03070.1000	7	21812.0012	9				
03170.0000	9	21832.0001	5				