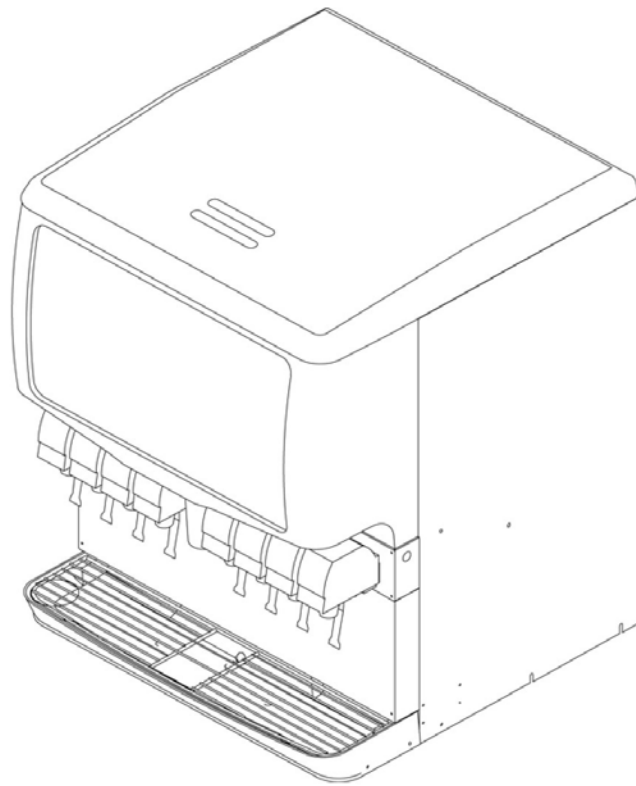




ILLUSTRATED PARTS LIST

ENDURO - 200/250



Publication Number: 92108IPL

Revision Date: October 10, 2011

Revision: G

Visit the IMI Cornelius web site at www.cornelius.com for all your Literature needs.

The products, technical information, and instructions contained in this manual are subject to change without notice. These instructions are not intended to cover all details or variations of the equipment, nor to provide for every possible contingency in the installation, operation or maintenance of this equipment. This manual assumes that the person(s) working on the equipment have been trained and are skilled in working with electrical, plumbing, pneumatic, and mechanical equipment. It is assumed that appropriate safety precautions are taken and that all local safety and construction requirements are being met, in addition to the information contained in this manual.

This Product is warranted only as provided in Cornelius' Commercial Warranty applicable to this Product and is subject to all of the restrictions and limitations contained in the Commercial Warranty.

Cornelius will not be responsible for any repair, replacement or other service required by or loss or damage resulting from any of the following occurrences, including but not limited to, (1) other than normal and proper use and normal service conditions with respect to the Product, (2) improper voltage, (3) inadequate wiring, (4) abuse, (5) accident, (6) alteration, (7) misuse, (8) neglect, (9) unauthorized repair or the failure to utilize suitably qualified and trained persons to perform service and/or repair of the Product, (10) improper cleaning, (11) failure to follow installation, operating, cleaning or maintenance instructions, (12) use of "non-authorized" parts (i.e., parts that are not 100% compatible with the Product) which use voids the entire warranty, (13) Product parts in contact with water or the product dispensed which are adversely impacted by changes in liquid scale or chemical composition.

Contact Information:

To inquire about current revisions of this and other documentation or for assistance with any Cornelius product contact:

www.cornelius.com

800-238-3600

Trademarks and Copyrights:

This document contains proprietary information and it may not be reproduced in any way without permission from Cornelius.

Printed in U.S.A.

CABINET SECTION ASSEMBLY

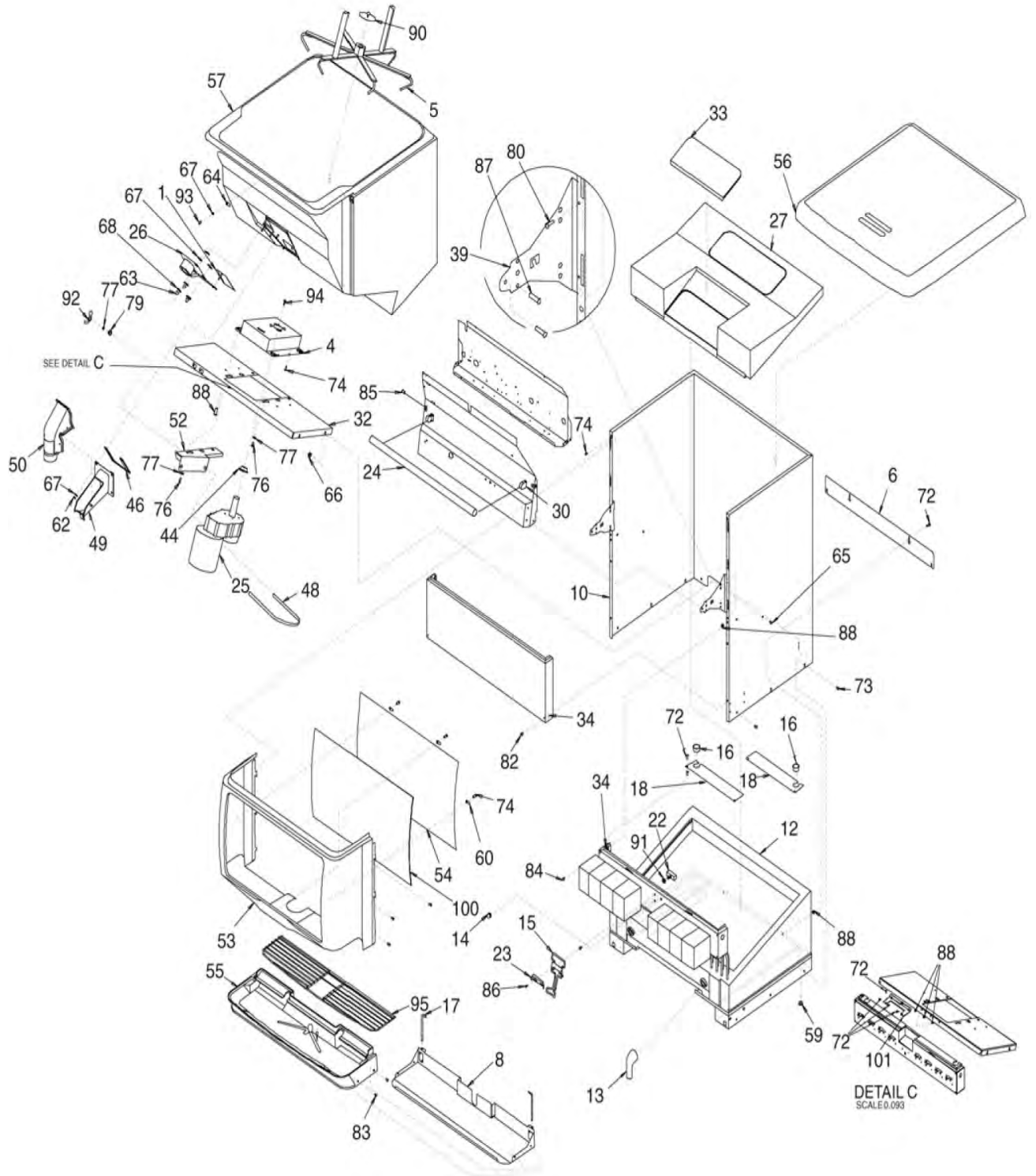


Figure 1.



Item No.	Part No.	Name
1	21491	Slide, Gate
2	22081R	Restrictor, Gate
3	Not used	
4	29541R	Plate, Motor Mount
5	29694	Agitator
6	29555	Cover, Rear Wrapper
7	629080208	Panel, Lower Front (For Drip Tray)
	629080204	Panel, Lower Front (Z Model)
8	620028702	Support, Drip Tray (Use for units built after 11/15/98. Serial number cut off: DF – ZRM1013131 and ED – 62A9841ED343)
	15093	Sink Extension (Use for units built before 11/15/98)
9	29540R	Cabinet 200
10	Not Used	
11	29547	Cabinet 250
12	Not Used	
13	Contact Sales	Panel/Cold Plate/Valve Ass'y
14	53011	Fitting, Cold Plate
15	31007	Boot, Switch
16	15500	Dispense Lever, Short (Cup Acti-vated)
	15488	Dispense Lever, Long (Cup Acti-vated)
	15502	Push Lever Ice Dispense
17	50767	Snap Bushing
18	10145	Pin, Drip Tray
19	15090	Baffle, Beverage Panel
20	Not Used	
21	Not Used	
22	30794	Agitator Motor Heater, 120 Volt
	32826	Agitator Motor Heater, 220-240 Volt
23	02070	Dispense Switch Kit (Includes switch #14, boot #22, spacer #91)
24	27107	Retainer, Ice Dispense lever
25	31928	Bulb, Florescent
26	620314922	Agitator Motor 120 Volt (Use for units begining with serial number 62A0540ED248)
	33404	Agitator Motor 220-240 Volt
	620048092	Capacitor, 250V 20mfd.

Item No.	Part No.	Name
27	32954	Solenoid Assembly, 120 Volt
	33409	Solenoid Assembly, 220-240 Volt
28	53268	
29	Not Used	
30	Not Used	
31	620302501	Electrical Box Ass'y, 120V (ED 200 Models)
	620302502	Electrical Box Ass'y, 120V (ED 250 Models)
	620310201	Electrical Box Ass'y, 220-240V (ED 200 Models)
	620310202	Electrical Box Ass'y, 220-240V (ED 250 Models)
32	Not Used	
33	29542	Bracket, Motor Mount
34	53255	Cover, Access (Cold Plate)
35	71010	Washer, Captivating No. 8
36	Not Used	
37	Not Used	
38	Not Used	
39	Not Used	
40	620019701	Hinge, Gusset
41	Not Used	
42	Not Used	
43	Not Used	
44	Not Used	
45	53199	Seal, Motor
46	Not Used	
47	51891	Gasket, Gate
48	***51908	Plug
49	71025	Strap, Motor, 220–240V?
	620516432	Strap, Motor, 120V
50	620500901	Ice Chute
51	53168	Cover, Ice Chute
52	Not Used	
53	15132	Motor Mount, 220–240V
	620052843	Motor Mount, 120V
54	53001	Merchandiser, Gray (ED250)
	53000	Merchandiser, Gray, (ED200)
	52912	Merchandiser, Black, (ED250)
	52911	Merchandiser, Black, (ED200)
	15754	Merchandiser, S.S., (ED250)
	15755	Merchandiser, S.S., (ED200)
	620011505	Merchandiser, S.S., (For Lid & Straw Holder ED250)



Item No.	Part No.	Name
	620011509	Merchandiser, S.S., (For Lid & Straw Holder ED200)
	620011506	Merchandiser, S.S., (For Medallion ED250)
	620011510	Merchandiser, S.S., (For Medallion ED200)
	620011507	Merchandiser, S.S., (For Low Ice Light ED250)
	620011511	Merchandiser, S.S., (For Low Ice Light ED200)
55	52950	Panel, Inner, ED250
	52949	White Lens, ED200
56	53211	Drip Tray, Gray, Insulated
	53210	Drip Tray, Black, Insulated
57	53018	Lid, Dispenser, Gray
	52909	Lid, Dispenser, Black
58	52960	Hopper Assy, Insulated (ED250)
	53292	Hopper Foamed Assy, Non Coldplate (ED250)
	53290	Hopper Foamed Assy, Non Coldplate, Insulated (ED200)
	52916	Hopper Assy, Insulated (ED200)
59	Not Used	
60	52967	Plug, Foot
61	52972	Tab, Retaining
62	Not Used	
63	70016	Hex Nut, No. 10-32
64	70017	Hex Nut, No. 10-32, Nyloc
65	53299	Tab, Retaining
66	70242	Screw, No. 10-32 By 3/8-In. Long
67	70015	Hex Nut, No. 10-32, Keps
68	70056	Washer, No. 10
69	70067	Washer, 7/32 I.D. x 7/8 O.D. x 3/64 Thk Plated
70	Not Used	
71	Not Used	
72	Not Used	
73	70171	Screw, No. 8-32 By 3/8-In. Long
74	70178	Screw, No. 8-32 By 1/2-In. Long
75	70204	Screw, No. 8 By 1/2-In. Long
76	Not Used	
77	71033	Screw, 3/8-16 By 3/4-In. Long
78	70068	Washer, 3/8 I.D. x 11/16 O.D. x .070 Thk

Item No.	Part No.	Name
79	Not Used	
80	71061	Washer, 7/16 I.D. x 1 1/8 O.D. x .063 Thk
81	70320	Pop Rivet, 1/8 Dia.
82	70341	Spring, Motor Heater
83	71006	Screw, No. 8-32 By 1 1/8-In. Long
84	70478R	Clip, Push-on
85	70555	Screw, No. 8-32 By 2 5/8-In. Long
86	620022801	Brace, Reflector
87	620701601	Sheet Metal Screw, No. 10 By 1/2-In. Long
88	70456	Pop Rivet, 3/16 Dia.
89	70959	Hex Nutsert, No. 8-32

NOTE: * Not Shown

****Parts included in Agitator Moter Kit**

*****For 220-240V Models, 51908 Plug Replaced By 62303001 Push Button Switch Actuator and 620303002 Switch Block**

ELECTRICAL BOX ASSEMBLY

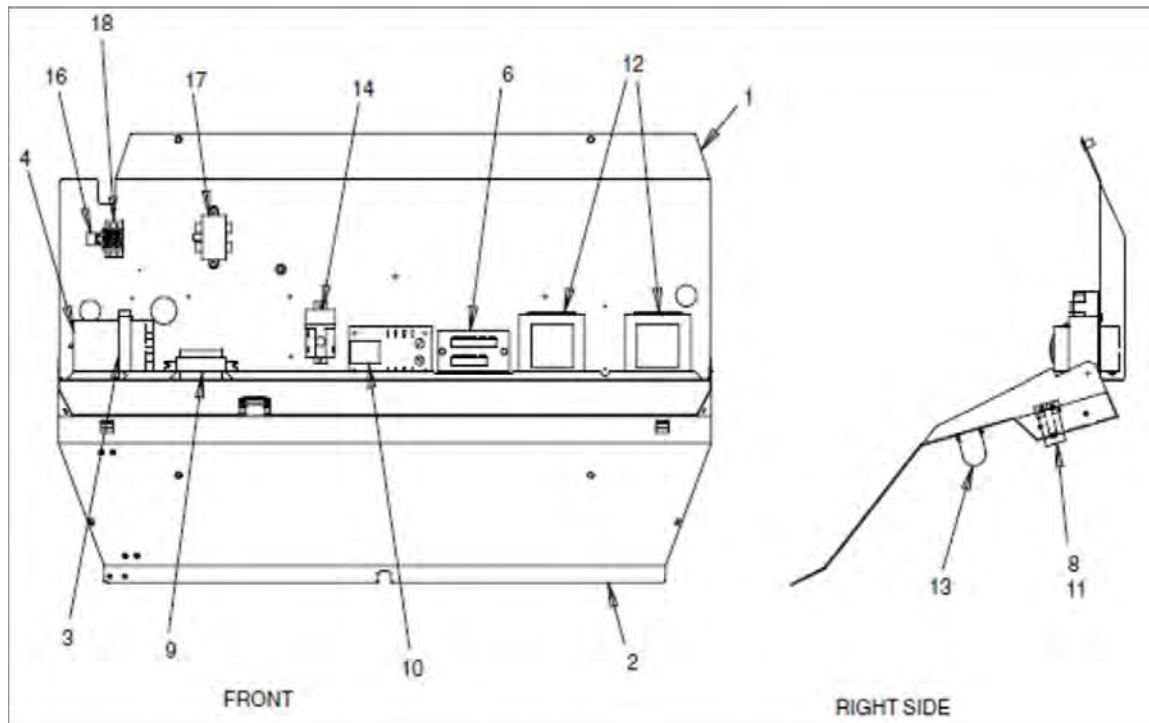


Figure 2.

Item No.	Part No.	Description
1	620022001	Electrical Box (ED250)
	620020902	Electrical Box (ED200)
2	620022101	Reflector Panel (ED250)
	620020901	Reflector Panel (ED200)
3	620021101	Clamp, Capacitor, 220-240V
4	33160R	Capacitor, Agitator Motor, 220-240V
5	30995	Power Cord, 120 Volts
	620302901	Power Cord, 220-240 Volts
6	30960	Terminal Board, 120 Volts?
	31107	Terminal Board, 220-240 Volts
7	Not Used	
8	31620	Starter 110 Volt
	620054076	Starter 240 Volt
9	31621	Ballast, 120 Volt
	33662	Ballast, 220-240 Volt
10	629087448	Agitation Timer Kit, 120 Volts
	629087451	Agitation Timer Kit, 220-240 Volts
11	620302201	Socket, Starter

Item No.	Part No.	Description
12	32682	Transformer, 120 Volts
	32829R	Transformer, 220-240 Volts
13	620302101	Lamp-holder
14	620306601	Relay, Start, 220-240 Volts
15	Not Used	
16	620304601	Varistor, 220-240 Volts
17	620307301	Filter, 220-240 Volts
18	32244	Terminal Strip, 220-240 Volts

SOLENOID ASSEMBLY

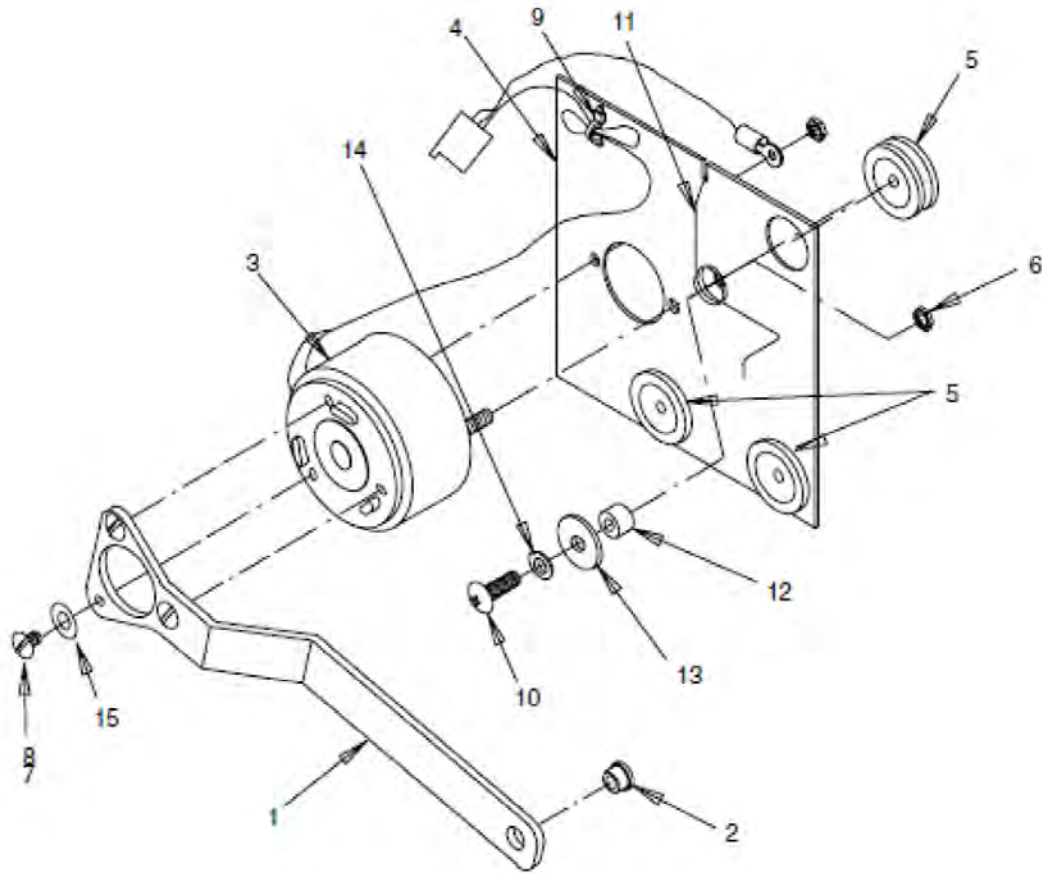


Figure 3.

Item No.	Part No.	Description
1	28173	Arm, Gate Lift
2	50754	Bearing, Gate Arm
3	32957	Solenoid, 120 Volts
	33397	Solenoid, 220-240 Volts
4	28172	Plate, Solenoid Mounting
5	50752	Isolator
6	70015	Hex Nut, No. 10-32
7	51689	Locktite
8	70162	Screw, No. 8-32 By 1/4-In. Long
9	50705	Tie Cable
10	70165	Screw, No. 8-32 By 5/8-In. Long
11	71007	Spring, Solenoid Arm

Item No.	Part No.	Description
12	51348	Space
13	70067	Washer, .218 I.D. By .875 O.D.
14	70057	Lockwasher, No. 10
15	70052	Flatwasher, No. 8
*	70485	Gate Slide Spring (Attaches to gate lift arm on Solenoid Assy. Need Qty. 2.)

NOTE: * Not Shown

DRAIN ASSEMBLY

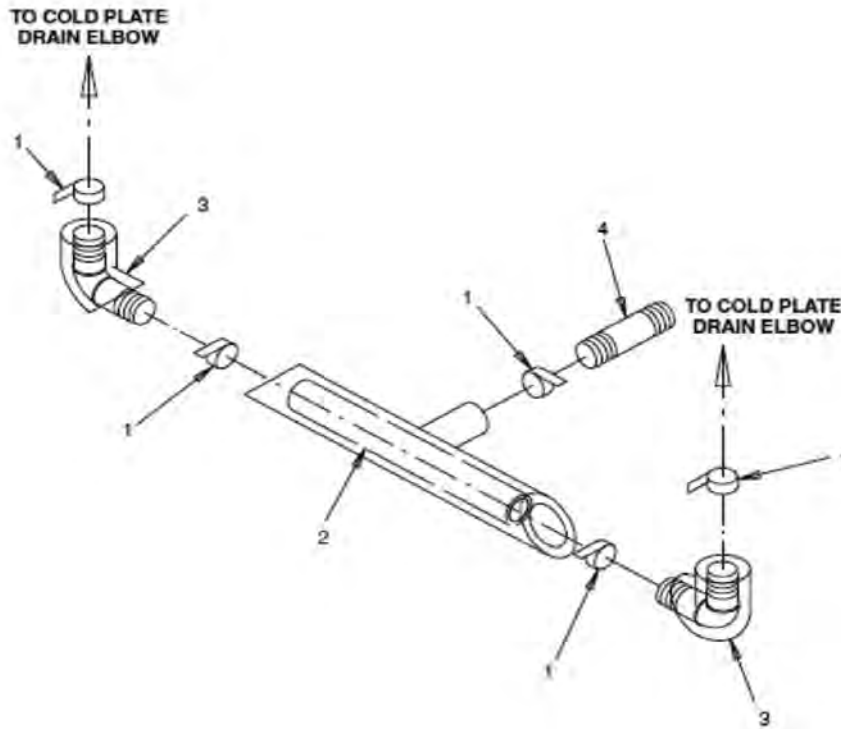


Figure 4.

Item No.	Part No.	Description
1	70750	Hose Clamp
2	53169	Drain Tube 1
3	51280	Elbow 2
4	53293	Coupler 1
*	629080104	Kit Sink to Z Style DF200/250 (Z = no drip tray or cuprest. This kit removes tray and cup rest. Allows unit to sit on counter with built in tray and cup rest.)

Item No.	Part No.	Description
*	629080304	Kit Z Style to Sink DF200/250 Gray (Z = no drip tray or cup rest. This kit adds drip try and cup rest to unit.)
*	629080303	Kit Z Style to Sink DF200/250 Black (Z = no drip tray or cup rest. This kit adds drip try and cup rest to unit.)

COMPONENTS FOR FLAVOR UNITS

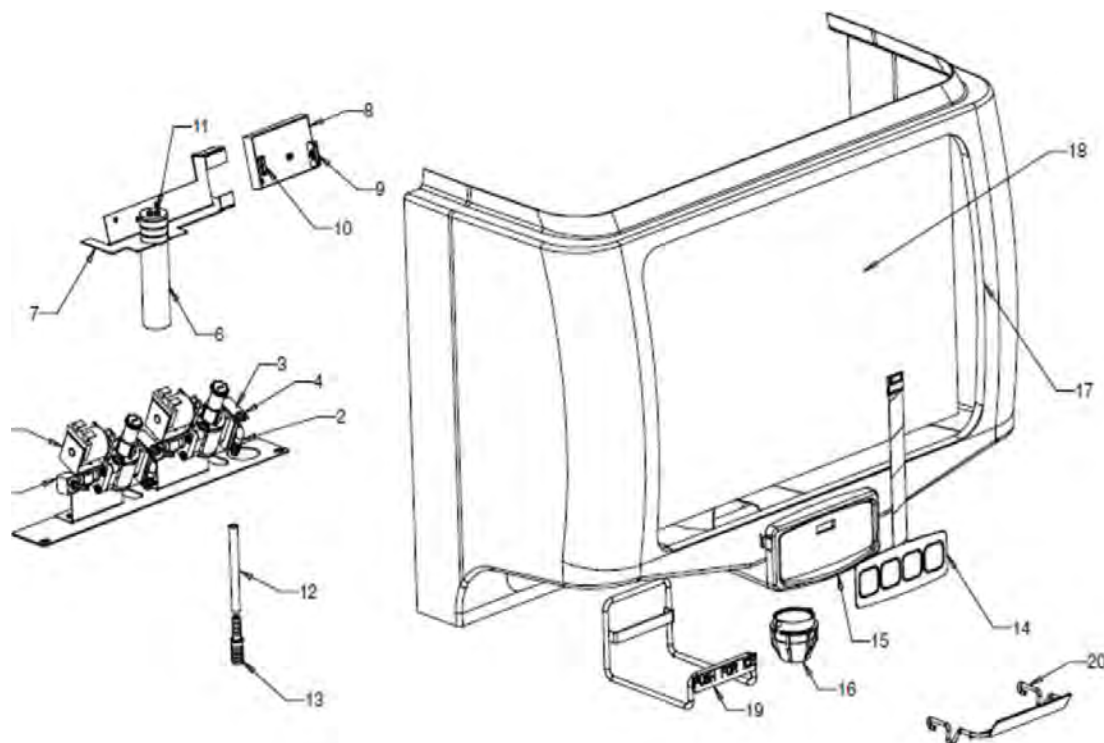


Figure 5.

Item No.	Part No.	Description
1	2487	Flow control assembly
2	620709068	Fitting elbow 1/4 barb
3	620046335	Retainer valve
4	319941000	Screw tr 08-32 hxws
5	620718932	Fitting 90 swivel 1/8 barb
6	620715821	Inner nozzle
7	620052042	Nozzle bracket 200/250
8	620314823	PC Board
*9	620313657	Jumper PCB to keypad 4
	620313658	Jumper PCB to keypad 2 fl
*10	620316443	Harness solenoid 4
	620316442	Harness solenoid 2
*11	770000119	Tubing syrup 1/8 id
12	50299	Tubing bev 265 id x 465 od
13	77040700	Fitg splicer 1/4 x 3/8
14	620313239	Membrane switch 4 button
15	620516527	Housing – keypad/nozzle

Item No.	Part No.	Description
16	1945	Outer nozzle
17	620519217	Merch FlavorBlast, ED200 blk
	620519213	Merch FlavorBlast, ED250 blk
	620519214	Merch FlavorBlast, ED250 gry
	620519212	Merch FlavorBlast, ED200 gry
*18	620920066	Graphic FlavorBlast, ED200
	620920067	Graphic FlavorBlast, ED200
19	620709313	Lever Ice Push Bar – FlavorBlast
20	620516221	Splashshield FlavorBlast

NOTE: * Not Shown

WATER MANIFOLD ASSEMBLY

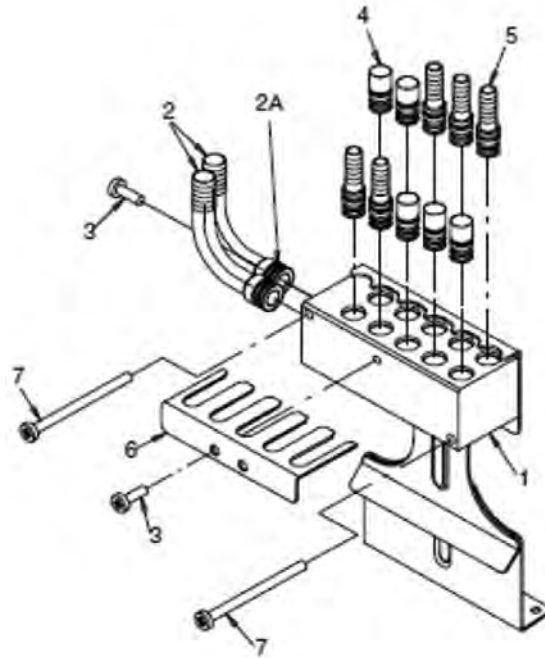


Figure 6.

Item No.	Part No.	Description
1	620407726	Manifold Flex
2	620709065	Fitg Elbow 1/2 X 3/8 Brb
2A	100057	O-rin
3	70204	Screw Sm #8 X 1/2
4	620519005	Plug 3/8 w/O-ring
5	620709066	Fitg Straight 3/8 X 1/4 Brb
6	620046316	Retainer Clip
7	620706632	Screw TRPH #8-18 X 2 Waxed
*	620711913	Insulation Block, RH
*	620711914	Insulation Block, LH
*	620715408	Hook and Loop Fastener

NOTE: * Not Shown

IMI Cornelius Inc.
www.cornelius.com