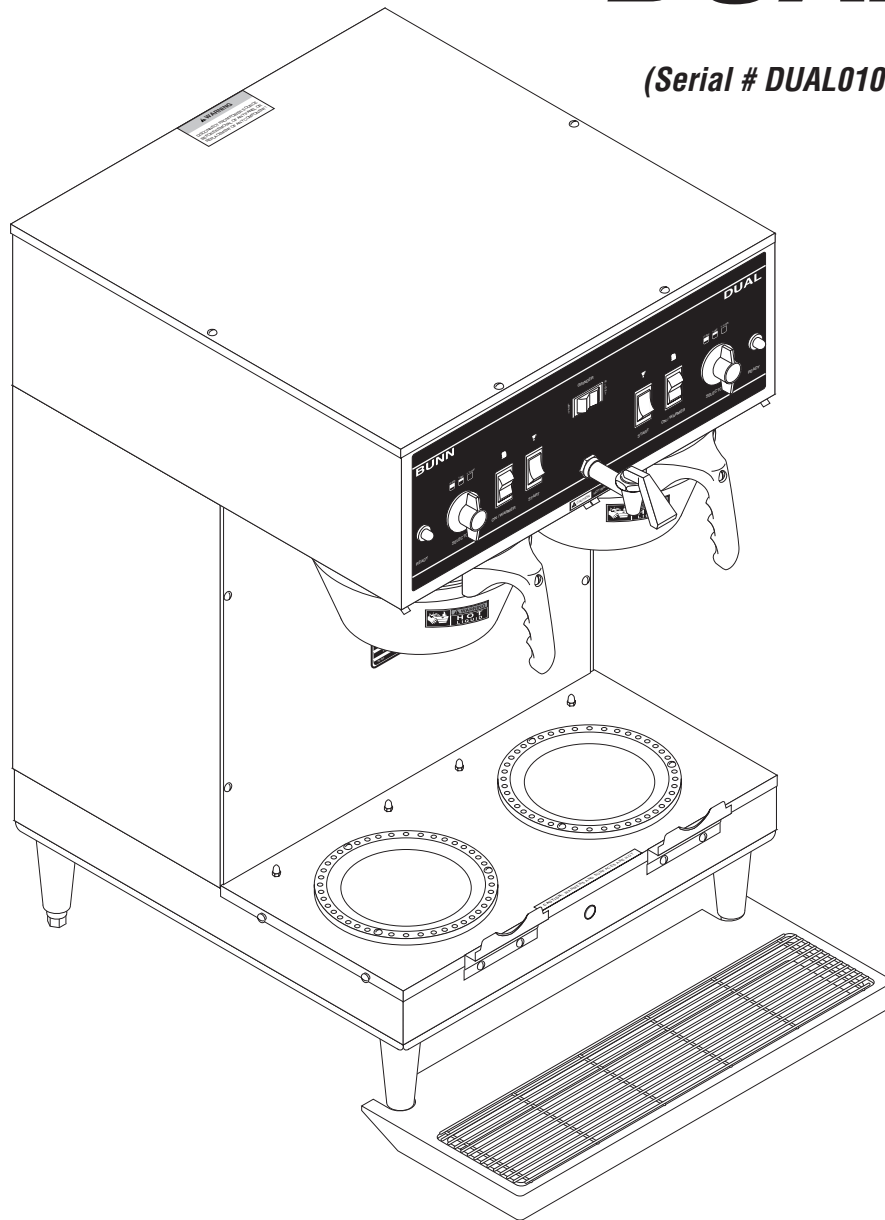


# **BUNN**®

# **DUAL**™

*(Serial # DUAL010000 - Up)*



## **ILLUSTRATED PARTS CATALOG**

Designs, materials, weights, specifications, and dimensions for equipment or replacement parts are subject to change without notice.

**BUNN-O-MATIC CORPORATION**

POST OFFICE BOX 3227

SPRINGFIELD, ILLINOIS 62708-3227

PHONE: (217) 529-6601 FAX: (217) 529-6644

## **BUNN-O-MATIC COMMERCIAL PRODUCT WARRANTY**

Bunn-O-Matic Corp. ("BUNN") warrants equipment manufactured by it as follows:

- 1) All equipment other than as specified below: 2 years parts and 1 year labor.
- 2) Electronic circuit and/or control boards: parts and labor for 3 years.
- 3) Compressors on refrigeration equipment: 5 years parts and 1 year labor.
- 4) Grinding burrs on coffee grinding equipment to grind coffee to meet original factory screen sieve analysis: parts and labor for 3 years or 30,000 pounds of coffee, whichever comes first.

These warranty periods run from the date of installation BUNN warrants that the equipment manufactured by it will be commercially free of defects in material and workmanship existing at the time of manufacture and appearing within the applicable warranty period. This warranty does not apply to any equipment, component or part that was not manufactured by BUNN or that, in BUNN's judgment, has been affected by misuse, neglect, alteration, improper installation or operation, improper maintenance or repair, damage or casualty. This warranty is conditioned on the Buyer 1) giving BUNN prompt notice of any claim to be made under this warranty by telephone at (217) 529-6601 or by writing to Post Office Box 3227, Springfield, Illinois 62708-3227; 2) if requested by BUNN, shipping the defective equipment prepaid to an authorized BUNN service location; and 3) receiving prior authorization from BUNN that the defective equipment is under warranty.

**THE FOREGOING WARRANTY IS EXCLUSIVE AND IS IN LIEU OF ANY OTHER WARRANTY, WRITTEN OR ORAL, EXPRESS OR IMPLIED, INCLUDING, BUT NOT LIMITED TO, ANY IMPLIED WARRANTY OF EITHER MERCHANTABILITY OR FITNESS FOR A PARTICULAR PURPOSE.** The agents, dealers or employees of BUNN are not authorized to make modifications to this warranty or to make additional warranties that are binding on BUNN. Accordingly, statements by such individuals, whether oral or written, do not constitute warranties and should not be relied upon.

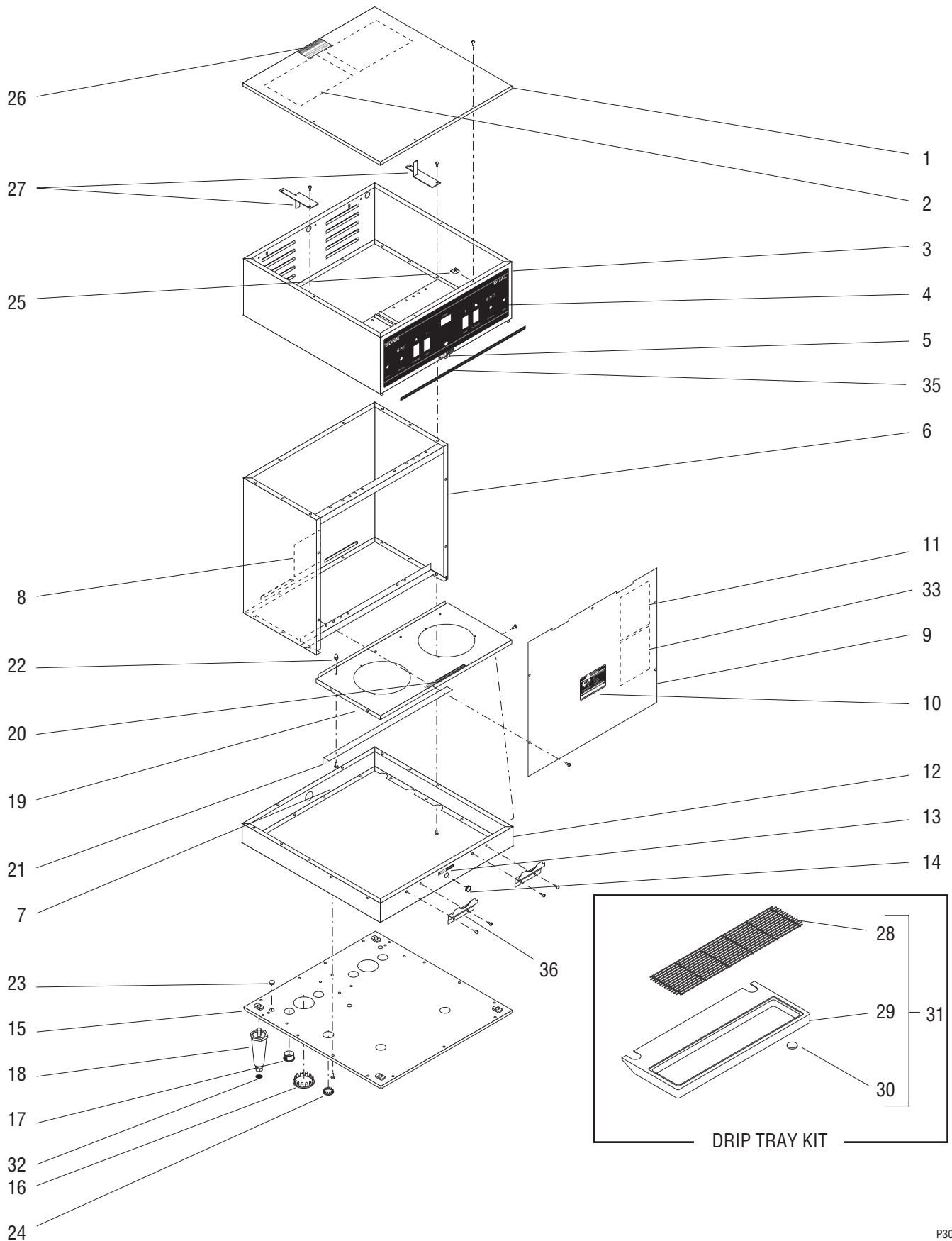
If BUNN determines in its sole discretion that the equipment does not conform to the warranty, BUNN, at its exclusive option while the equipment is under warranty, shall either 1) provide at no charge replacement parts and/or labor (during the applicable parts and labor warranty periods specified above) to repair the defective components, provided that this repair is done by a BUNN Authorized Service Representative; or 2) shall replace the equipment or refund the purchase price for the equipment.

**THE BUYER'S REMEDY AGAINST BUNN FOR THE BREACH OF ANY OBLIGATION ARISING OUT OF THE SALE OF THIS EQUIPMENT, WHETHER DERIVED FROM WARRANTY OR OTHERWISE, SHALL BE LIMITED, AT BUNN'S SOLE OPTION AS SPECIFIED HEREIN, TO REPAIR, REPLACEMENT OR REFUND.**

In no event shall BUNN be liable for any other damage or loss, including, but not limited to, lost profits, lost sales, loss of use of equipment, claims of Buyer's customers, cost of capital, cost of down time, cost of substitute equipment, facilities or services, or any other special, incidental or consequential damages.

## TABLE OF CONTENTS

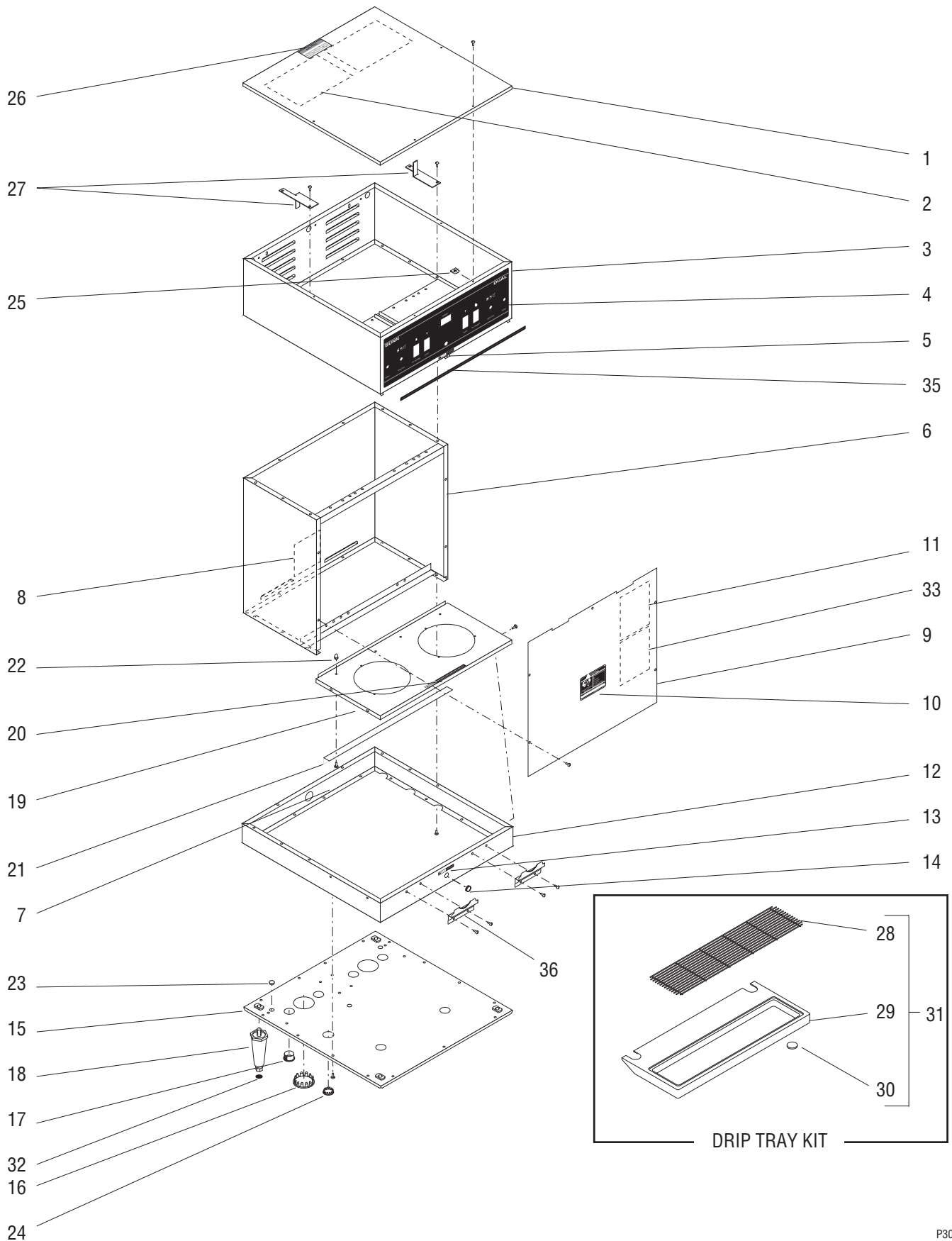
Base - Trunk - Hood - Covers & Panels .....	4
Digital Brewer Control Assembly .....	16
Dispense Valve and Sprayhead .....	28
Electrical Controls & Ready Light .....	32
Faucet - Upper & Lower .....	30
Funnels .....	38
Numerical Index .....	40
Single Set Timers & Electronic Control .....	12
Single Set Timers & Mechanical Thermostat .....	8
Strainer, Solenoid & Lines .....	22
Tank and Mounting Brackets .....	20
Tank Heater & Overflow Protection Devices .....	18
Triple Set Timers & Electronic Control .....	14
Triple Set Timers & Mechanical Thermostat .....	10
Warmer Assemblies .....	36
Water By-Pass .....	26



## BASE - TRUNK - HOOD - COVERS & PANELS

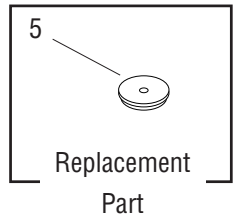
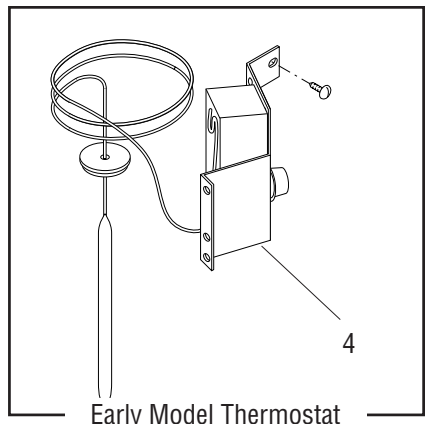
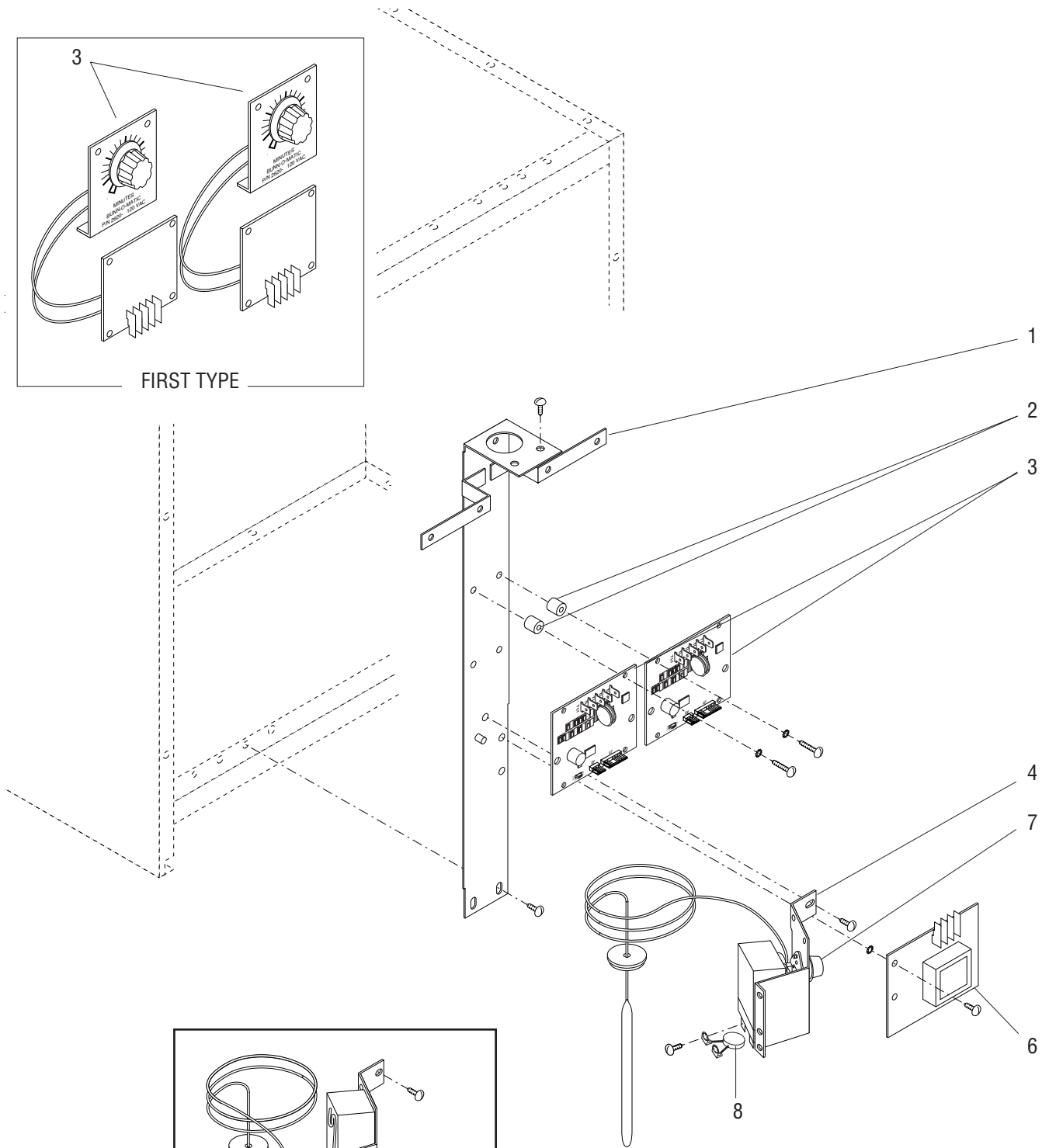
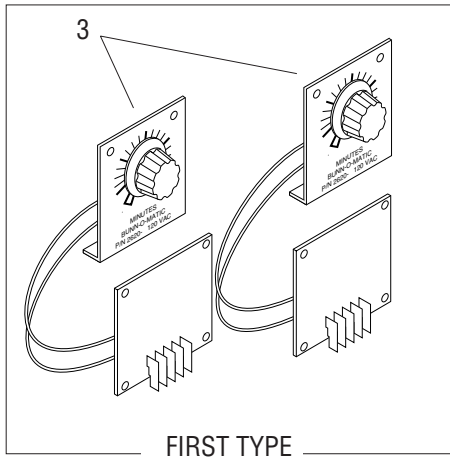
ITEM	PART NO.	QTY.	DESCRIPTION	
1	25376.0000	1	Cover Assy, Top (Includes items 2 & 26) (Brewers with Mechanical Thermostat or Electronic Control) (Shown)	
	25376.0002	1	Cover Assy, Top - BLK (Includes items 2 & 26) (Brewers with Mechanical Thermostat or Electronic Control)	
	25376.0001	1	Cover Assy, Top (Includes items 2, 26 & 07075.0000 Grommet) (Brewers with DBC)	
	02336.0000	4	Screw, Truss Head SST 4 - 40 x .375"	
	02336.0002	4	Screw, Truss Head BLK 4 - 40 x .375"	
2	25151.0000	2	Shield, Insulator	
3	22313.0000	1	Hood W/Decals (W/O Upper Faucet)	} Includes items 4 & 5
	22313.0001	1	Hood W/Decals (W/O Upper Faucet & W/O Selector Switches)	
	22313.0002	1	Hood W/Decals (W/Upper Faucet & Selector Switches)	
	22313.0003	1	Hood W/Decals (W/Upper Faucet - W/O Selector Switches)	
	22313.0004	1	Hood W/Decals (W/Upper Faucet - W/one Grinder Interface)(Shown)	
	22313.0005	1	Hood W/Decals (W/O Upper Faucet - W/one Grinder Interface)	
	22313.0007	1	Hood W/Decals - BLK (W/O Upper Faucet - W/One Grinder Interface)	
	02308.0000	16	Screw, Pan Head 8 - 32 x .375"	
4	20966.0000	1	Decal, Control Panel (W/O Upper Faucet)	
	20966.0001	1	Decal, Control Panel (W/O Upper Faucet & W/O Selector Switches)	
	20966.0002	1	Decal, Control Panel (W/Upper Faucet & Selector Switches)	
	20966.0003	1	Decal, Control Panel (W/Upper Faucet - W/O Selector Switches)	
	20966.0004	1	Decal, Control Panel (W/Upper Faucet - W/one Grinder Interface)(Shown)	
	20966.0005	1	Decal, Control Panel (W/O Upper Faucet - W/one Grinder Interface)	
5	20201.5600	1	Decal, Caution Hot Water	
6	24396.0000	1	Trunk W/Decals (120V)	} Includes item 8
	24396.0001	1	Trunk W/Decals (120/240V, 200V & 230V)	
	24396.0003	1	Trunk W/Decals - BLK (120/240V, 200V & 230V)	
7	00656.0000	1	Decal, Comply to Plumbing Code	
8	00831.0000	1	Decal, Warning - Electrical	
9	27044.0000	1	Panel W/Decals, Trunk (200V & 230V) (Includes items 10)	} Includes items 10 & 11
	27044.0001	1	Panel W/Decals, Trunk (W/Mechanical Thermostat)	
	27044.0002	1	Panel W/Decals, Trunk (W/Electronic Control)	
	27044.0003	1	Panel W/Decals, Trunk (W/Single Interface & Mech. Thermostat)	
	27044.0007	1	Panel W/Decals, Trunk - BLK (W/Single Interface & Mech. Thermostat)	
	27044.0004	1	Panel W/Decals, Trunk (W/Single Interface & Electronic Control)	
	27044.0006	1	Panel W/Decals, Trunk (120/240V W/DBC)	
	01382.0003	5	Screw, Truss Head SST 6 - 32 x .375"	
	01382.0007	5	Screw, Truss Head BLK 6 - 32 x .375"	
10	00658.0000	1	Decal, Caution - Decanter/Funnel	
11	10864.0000	1	Schematic (120/240V W/DBC)	
	10864.0001	1	Schematic (120/240V W/Mechanical Thermostat)	
	10864.0003	1	Schematic (120/240V W/Electronic Control)	
	10864.0005	1	Schematic (120/240V W/one Grinder Interface & Mechanical Thermostat)	
	10864.0006	1	Schematic (120/240V W/one Grinder Interface & Electronic Control)	
	12	24458.0000	1	Base W/Decals (Includes items 7, 13 & 14)
	24458.0002	1	Base W/Decals - BLK (Includes items 7, 13 & 14)	
	02308.0000	8	Screw, Pan Head 8 - 32 x .375"	

(continued)



## BASE - TRUNK - HOOD - COVERS & PANELS

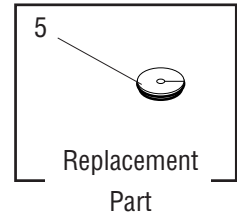
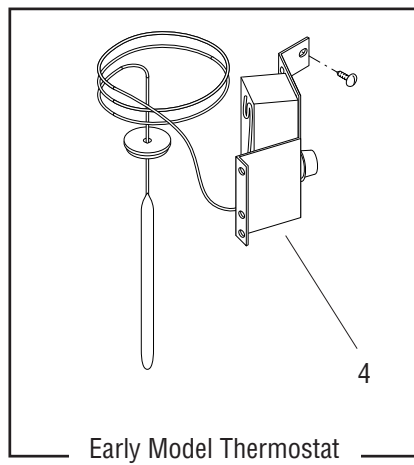
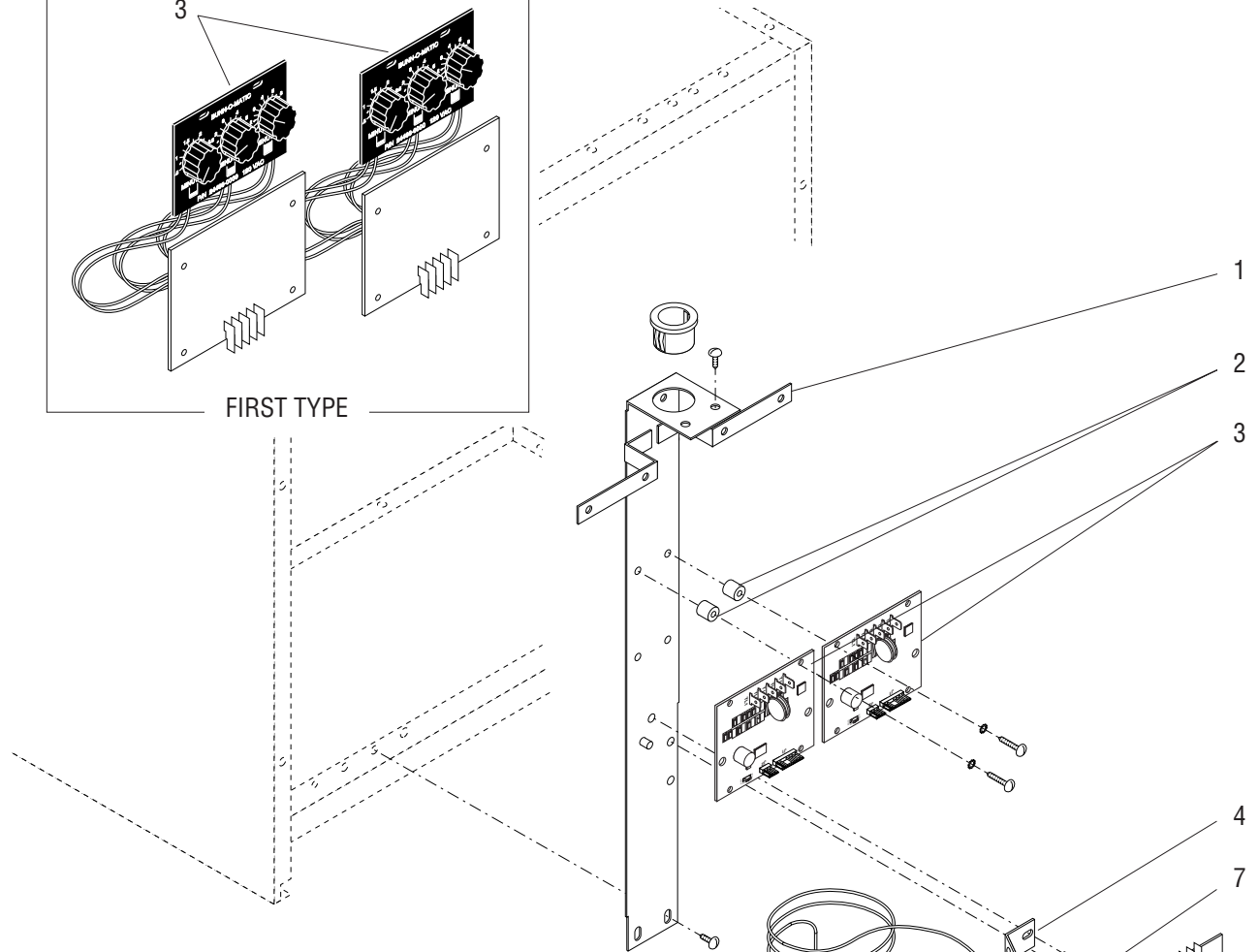
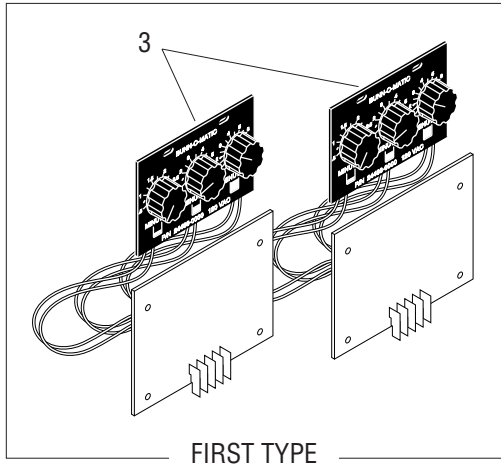
ITEM	PART NO.	QTY.	DESCRIPTION
13	20201.5600	1	Decal, Caution Hot Water
14	00619.0007	1	Plug, Hole .50" Dia. (Not used W/Lower Faucet)
15	20916.0000	1	Cover, Bottom
	02308.0000	12	Screw, Pan Head 8 - 32 x .375"
16	00619.0008	2	Plug, Hole 2.0" Dia.
17	03011.0000	6	Plug, Vent 1.0" Dia.
18	03359.0000	4	Leg, 4.0" Plastic (Shown)(See item 34)
	00502.0000	4	Leg, 4.0" Nickel (See item 34)
	00506.0000	4	Leg, 8.0" SST
19	24455.0000	1	Warmer Panel Assy W/Decal (Includes items 20, 21, 22 & four 01311.0000 Screws)
	24455.0002	1	Warmer Panel Assy W/Decal - BLK (Includes items 20, 21, 22 & four 01311.0000 Screws)
	01382.0003	4	Screw, Truss Head SST 6 - 32 x .375"
	01382.0007	4	Screw, Truss Head BLK 6 - 32 x .375"
20	12364.0000	1	Decal, Caution-Warmers are Hot
21	21106.0000	1	Angle, Support
	01311.0000	4	Screw, Truss Head 8 - 32 x .25"
22	02324.0000	4	Nut, Acorn 8 - 32
23	00671.0000	2	Plug, Hole .312" Dia.
24	00619.0005	1	Plug, Hole 1.06" Dia.
25	00916.0000	4	Clip, J-Type #4-40
26	10044.0000	1	Decal, Warning "Shut Off Power"
27	26949.0000	2	Bracket, Tank Supporting
28	26916.0000	1	Wire Grill, Drip Tray (SST)
	26916.0001	1	Wire Grill, Drip Tray (Brass)
29	26971.1000	1	Drip Tray W/Pads (Includes item 30)
30	11591.0000	4	Pad, Adhesive 1.0" Dia.
31	27150.0000	-	Drip Tray Kit (Includes items 28, 29 & 30)
32	03996.0000	4	Pad, Anti-Skid - Rubber 1.25" Dia. (Nickel) (See item 34)
	03993.0000	4	Pad, Anti-Skid - Rubber .70" Dia (Black Plastic) (See item 34)
33	32540.0000	1	Decal, Timer Setting Instruction
34	13255.0002	-	Kit, Leg 4.0" Nickel Adjustable (Includes items 18 & 32)
	13255.0001	-	Kit, Leg 4.0" Black Plastic Adjustable (Includes items 18 & 32)
35	22306.0001	1	Decal, Red Decor Stripe (Black models only)
36	21104.0003	2	Plate, Server Stop SST
	21104.0004	2	Plate, Server Stop BLK
	01347.0000	4	Screw, Truss Head #6-32 x .38"
	01347.0002	4	Screw, Truss Head BLK #6-32 x .38" (BLK Models)





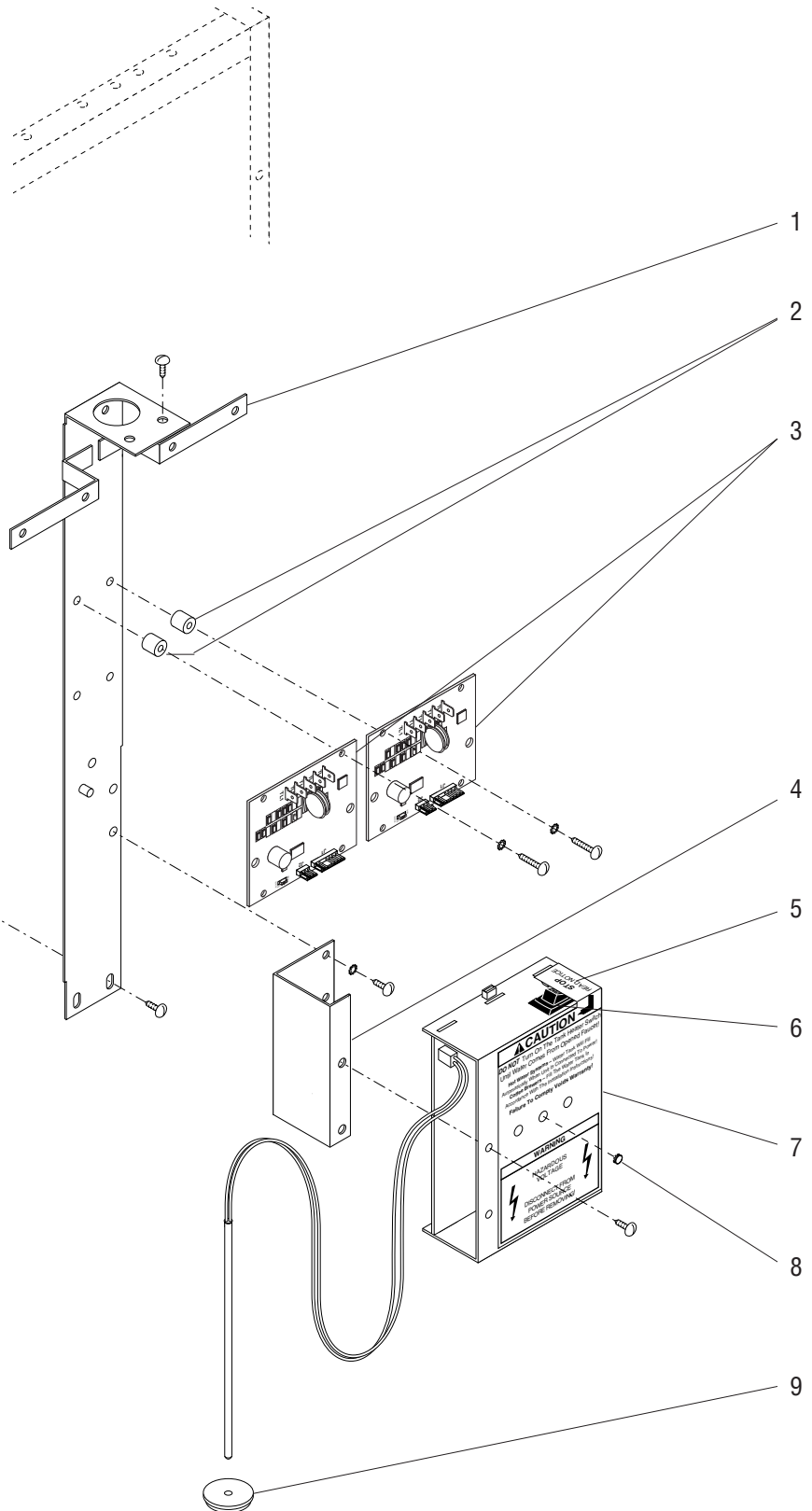
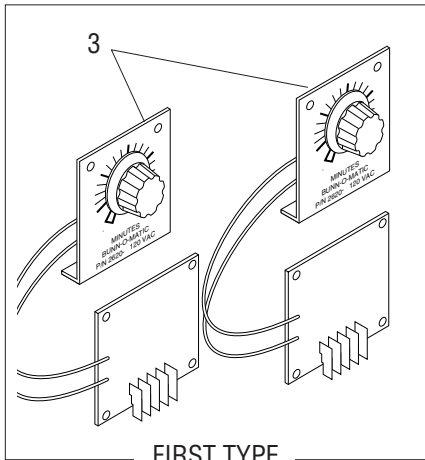
## SINGLE SET TIMERS & MECHANICAL THERMOSTAT

ITEM	PART NO.	QTY.	DESCRIPTION
1	20948.0001	1	Bracket, Component Mounting
	02308.0000	4	Screw, Pan Head 8 - 32 x .375"
2	01533.0000	4	Spacer, Nylon .375"
3	-----	2	Timer, 8 Min. 120V (Shown) (No Longer Available. Order Item 9)
	-----	2	Timer, 8 Min. 240V (No Longer Available. Order Item 10)
	32400.0002	2	Timer, Digital 120V (Second Type)
	32400.0003	2	Timer, Digital 240V ( Second Type)
	01347.0000	4	Screw, Truss Head #6 - 32 x .375" (Not used with Digital Timer)
	01510.0000	4	Lockwasher, External Tooth #6
	01388.0000	4	Screw, Truss Head 6 - 32 x .75"
	12919.0008	2	Cap, Terminal (Not illustrated)
4	04314.0001	1	Thermostat Kit (Includes items 5, 7 & 8) (Late Models) (Also replaces early model thermostat)
	02308.0000	1	Screw, Pan Head 8 - 32 x .375"
	20762.0000	2	Screw, Binding Head 8 - 32 x .25" (Terminal Screw)
5	07073.0000	1	Grommet, Thermostat
6	07074.1026	1	Control Board, Level (120V)
	07074.1027	1	Control Board, Level (240V)
	02308.0000	2	Screw, Pan Head 8 - 32 x .375"
	01511.0000	2	Lockwasher, External Tooth #8
7	00720.0000	1	Knob, Thermostat
8	28377.0000	1	Noise, Suppressor (Not used with Digital Timer)
9	32400.0000	1	Timer Kit, Digital 120V (With Adapter)
10	32400.0001	1	Timer Kit, Digital 240V (With Adapter)



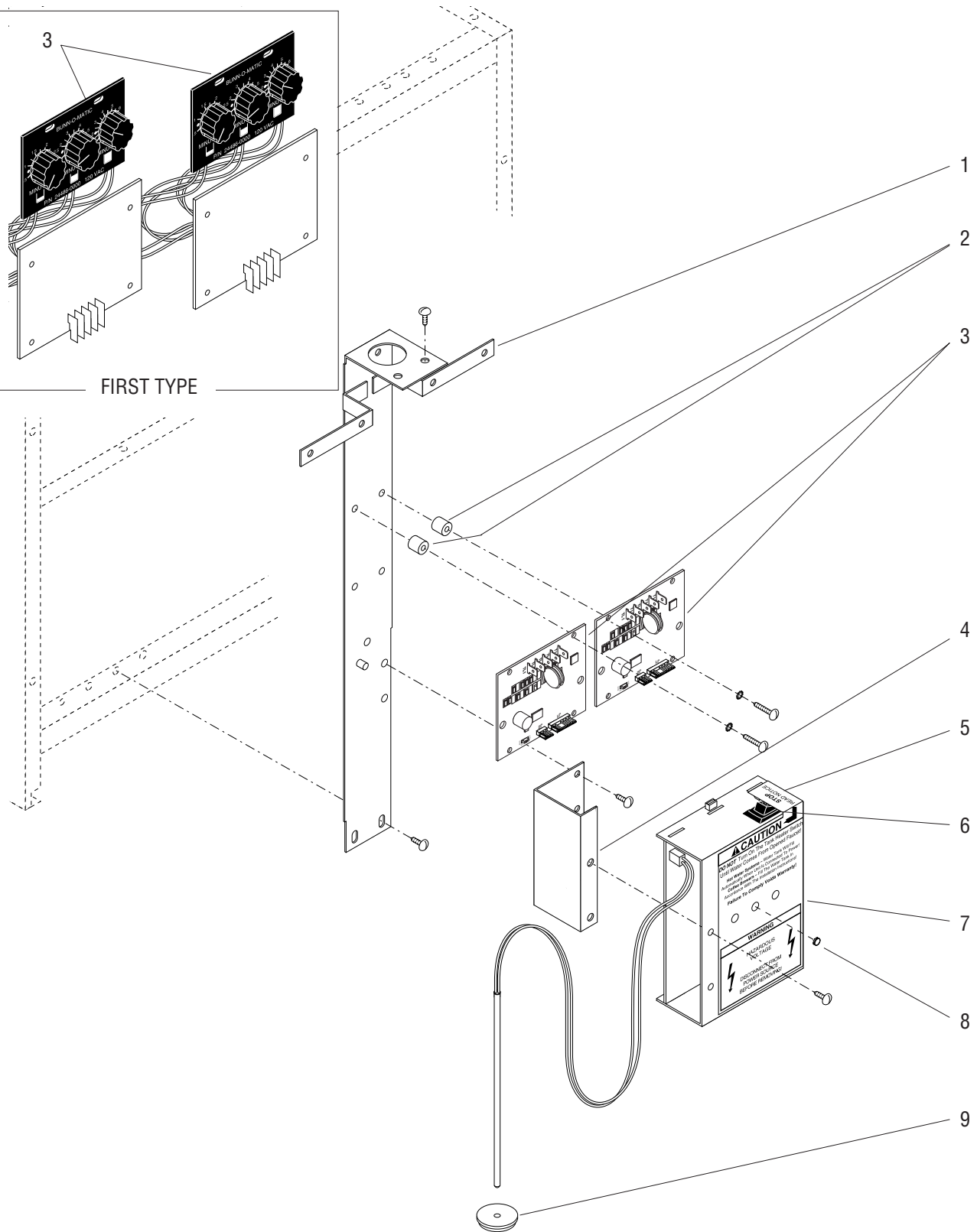
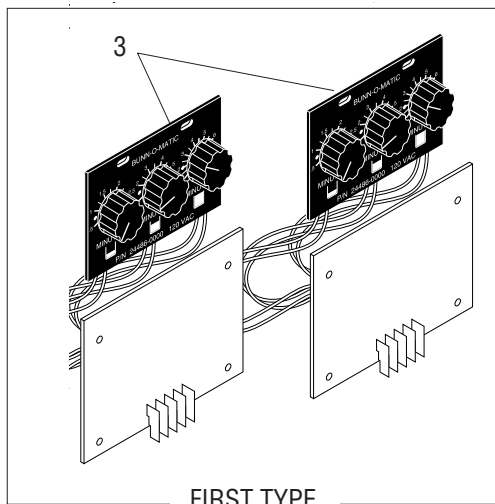
## TRIPLE SET TIMERS & MECHANICAL THERMOSTAT

ITEM	PART NO.	QTY.	DESCRIPTION
1	20948.0001	1	Bracket, Component Mounting
	02308.0000	4	Screw, Pan Head 8 - 32 x .375"
2	01533.0000	4	Spacer, Nylon .375"
3	-----	2	Timer, Triple (120/208V & 120/240V Models) (No Longer Available. Order Item 9)
	-----	2	Timer, Triple (200V & 240V Models) (No Longer Available. Order Item 10)
	32400.0002	2	Timer, Digital 120V (Second Type)
	32400.0003	2	Timer, Digital 240V (Second Type)
	01347.0000	4	Screw, Truss Head #6 - 32 x .375" (Not used with Digital Timer)
	01510.0000	4	Lockwasher, External Tooth #6
	01388.0000	4	Screw, Truss Head 6 - 32 x .75"
	12919.0008	2	Cap, Terminal (Not illustrated)
4	04314.0001	1	Thermostat Kit (Includes items 5, 7 & 8) (Late Models) (Also replaces early model thermostat)
	02308.0000	1	Screw, Pan Head 8 - 32 x .375"
	20762.0000	2	Screw, Binding Head 8 - 32 x .25" (Terminal Screw)
5	07073.0000	1	Grommet, Thermostat
6	07074.1026	1	Control Board, Level (120/208V & 120/240V Models)
	07074.1027	1	Control Board, Level (200V & 240V Models)
	02308.0000	2	Screw, Pan Head 8 - 32 x .375"
	01511.0000	2	Lockwasher, External Tooth #8
7	00720.0000	1	Knob, Thermostat
8	28377.0000	1	Noise Suppressor (Not used with Digital Timer)
9	32400.0000	1	Timer Kit, Digital 120V (with Adapter)
10	32400.0001	1	Timer Kit, Digital 240V (with Adapter)



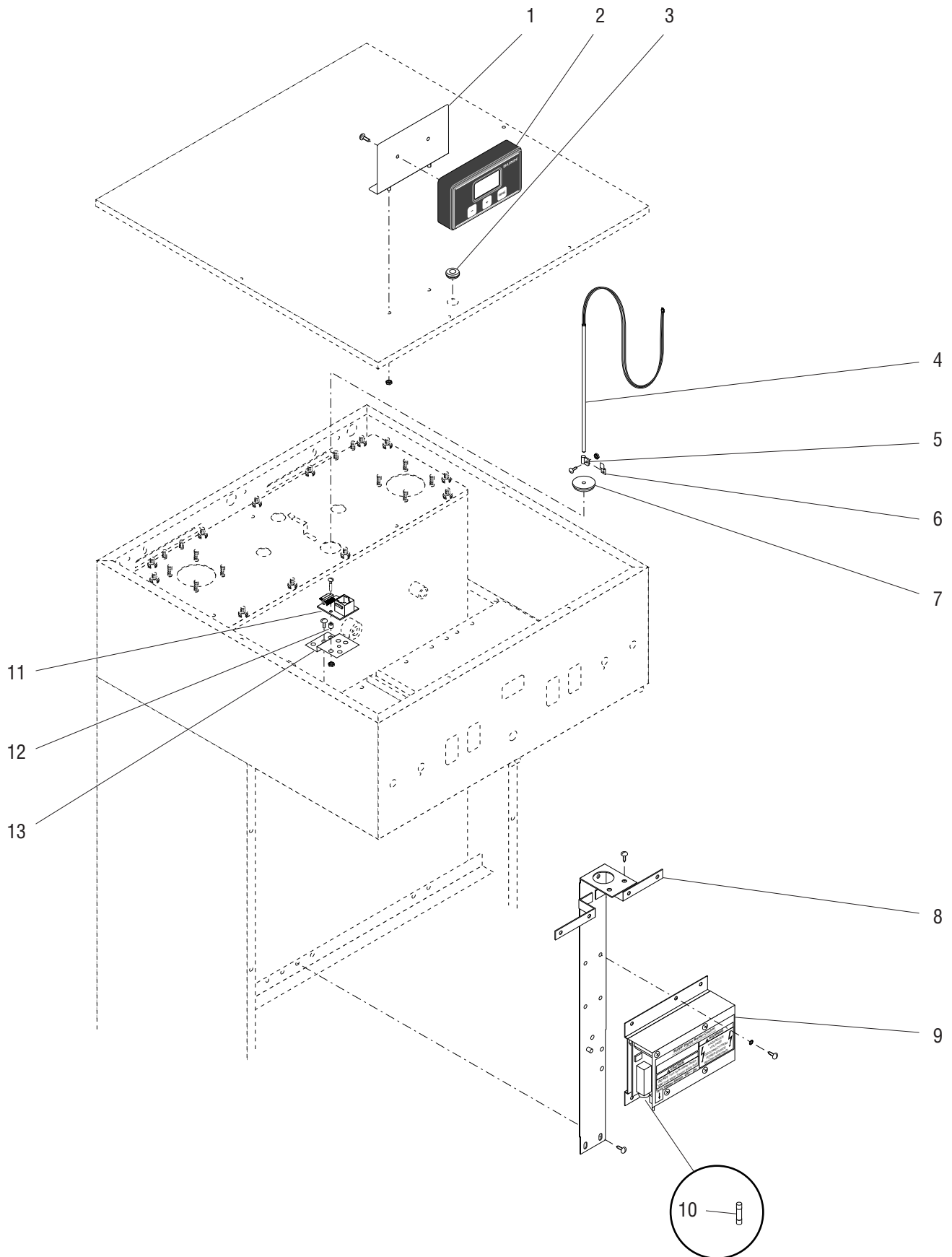
## SINGLE SET TIMERS & ELECTRONIC CONTROL

ITEM	PART NO.	QTY.	DESCRIPTION
1	20948.0001	1	Bracket, Component Mounting
	02308.0000	4	Screw, Pan Head 8 - 32 x .375"
2	01533.0000	4	Spacer, Nylon .375"
3	-----	2	Timer, 8 Min. 120V (Shown) (No Longer Available. Order Item 10)
	-----	2	Timer, 8 Min. 240V (No Longer Available. Order Item 11)
	32400.0002	2	Timer, Digital 120V (Second Type)
	32400.0003	2	Timer, Digital 240V (Second Type)
	01347.0000	4	Screw, Truss Head #6 - 32 x .375" (Not used with Digital Timer)
	01510.0000	4	Lockwasher, External Tooth #6
	01388.0000	4	Screw, Truss Head 6 - 32 x .75"
4	21122.0000	1	Bracket, Electronic Control Mounting
	02308.0000	2	Screw, Pan Head 8 - 32 x .375"
5	12560.0015	1	Control Assy, Electronic (Includes items 6 thru 9)
	02308.0000	2	Screw, Pan Head 8 - 32 x .375"
6	04786.0002	1	Switch, On/Off
7	12559.0000	1	Decal, Caution/Warning
8	00619.0002	1	Plug, Hole .250" Dia.
9	12570.0000	1	Grommet, Temp. Sensor
10	32400.0000	1	Timer Kit, Digital 120V (With Adapter)
11	32400.0001	1	Timer Kit, Digital 240V (With Adapter)



## TRIPLE SET TIMERS & ELECTRONIC CONTROL

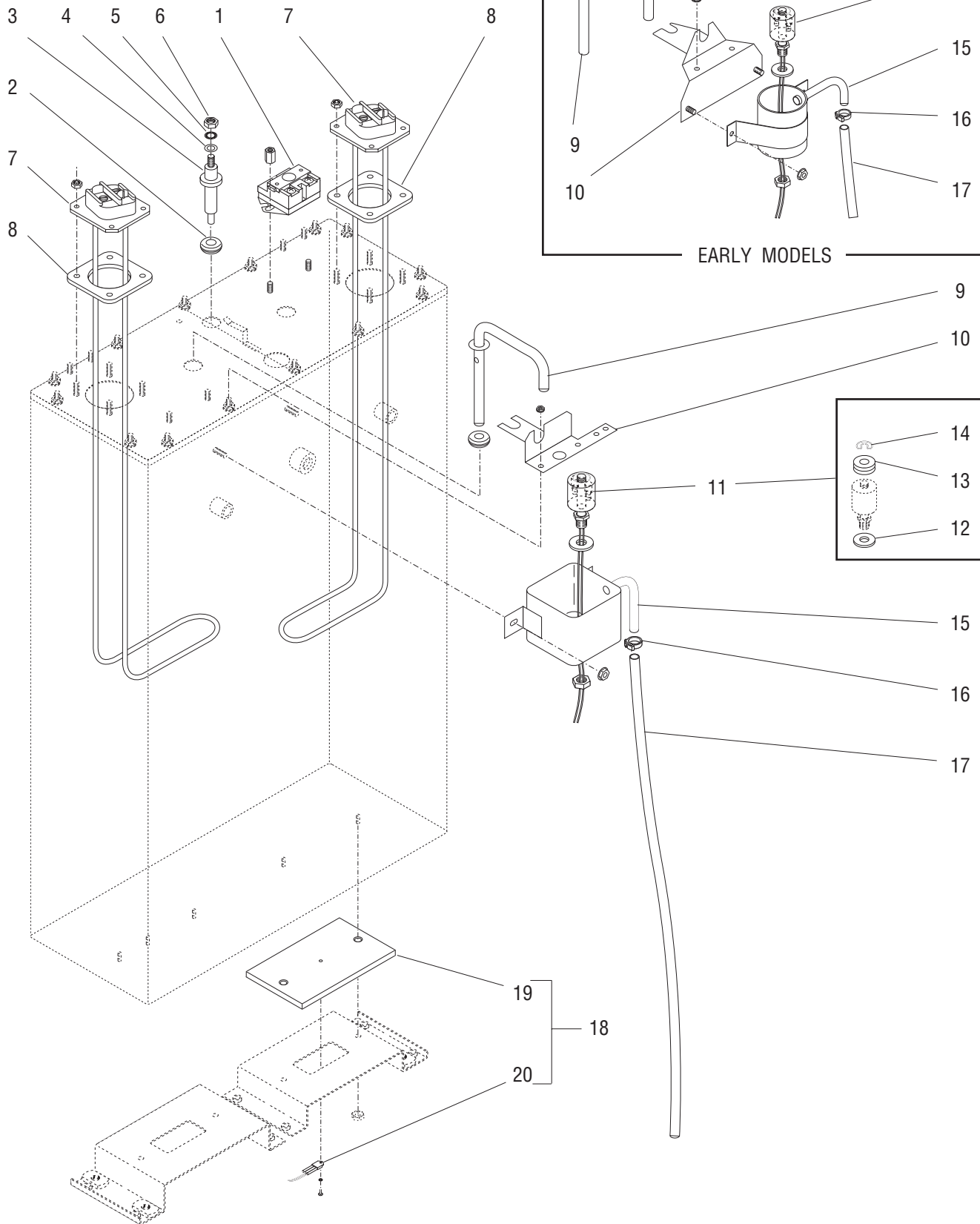
ITEM	PART NO.	QTY.	DESCRIPTION
1	20948.0001	1	Bracket, Component Mounting
	02308.0000	4	Screw, Pan Head 8 - 32 x .375"
2	01533.0000	4	Spacer, Nylon .375"
3	-----	2	Timer, Triple (120/208V & 120/240V Models)(No Longer Available. Order Item 10)
	-----	2	Timer, Triple (200V & 240V Models) (No Longer Available. Order Item 11)
	32400.0002	2	Timer, Digital 120V
	32400.0003	2	Timer, Digital 240V
	01347.0000	4	Screw, Truss Head #6 - 32 x .375" (Not used with Digital Timer)
	01510.0000	4	Lockwasher, External Tooth #6
	01388.0000	4	Screw, Truss Head 6 - 32 x .75"
4	21122.0000	1	Bracket, Electronic Control Mounting
	02308.0000	2	Screw, Pan Head 8 - 32 x .375"
5	12560.0015	1	Control Assy, Electronic (Includes items 6 thru 9)
	02308.0000	2	Screw, Pan Head 8 - 32 x .375"
6	04786.0002	1	Switch, On/Off
7	12559.0000	1	Decal, Caution/Warning
8	00619.0002	1	Plug, Hole .250" Dia.
9	12570.0000	1	Grommet, Temp. Sensor
10	32400.0000	1	Timer Kit, Digital 120V (with Adapter)
11	32400.0001	1	Timer Kit, Digital 240V (with Adapter)





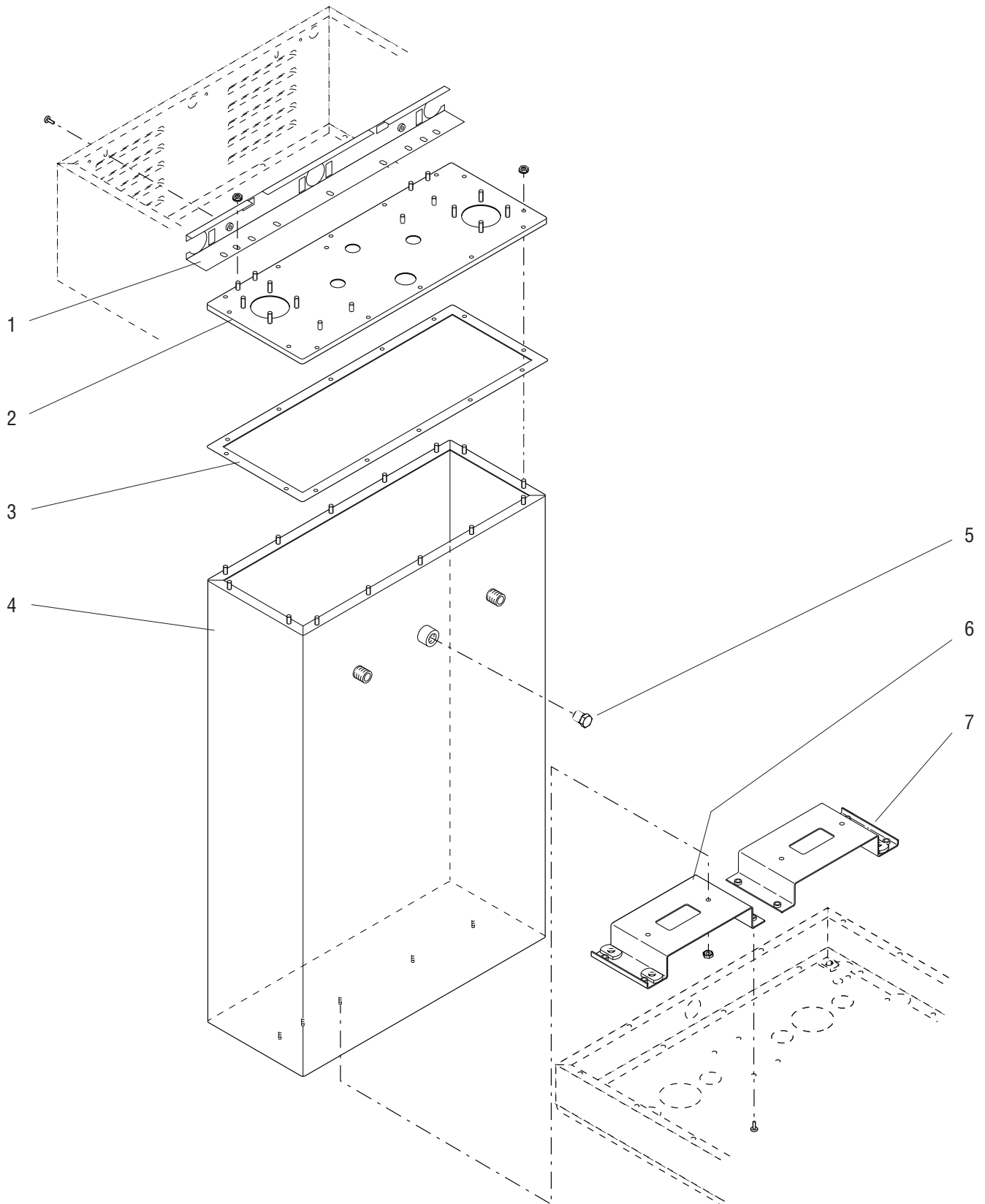
## DIGITAL BREWER CONTROL ASSEMBLY

ITEM	PART NO.	QTY.	DESCRIPTION
1	25648.0000	1	Bracket, Mounting
	00970.0000	2	Nut, Keps 8 - 32
2	25654.0000	1	DBC Display Assembly
	02328.0003	2	Screw, Pan Head 6 - 32 x .312"
3	07075.0000	1	Grommet, Silicone .437" I.D.
4	12568.0003	1	Sensor, Temperature
5	26263.0000	1	Clamp, Steel .12"/.19"
	01382.0000	1	Screw, Truss Head 6 - 32 x .375"
	00973.0000	1	Nut, Keps 6 - 32
6	01667.0000	1	Terminal, .25
7	12570.0000	1	Grommet, Temp. Sensor
8	20948.0001	1	Bracket, Component Mounting
	02308.0000	4	Screw, Pan Head 8 - 32 x .375"
9	25468.0002	1	DBC Power Board Assembly (Includes item 10)
	02308.0000	2	Screw, Pan Head 8 - 32 x .375"
10	27035.0000	1	Fuse, AGC 5 AMP 250V
11	25513.0000	1	Receptacle, Display
	01388.0000	2	Screw, Truss Head 6 - 32 x .75"
	00973.0000	2	Nut, Keps 6 - 32
12	01533.0000	2	Spacer, Nylon .375"
13	07441.0000	1	Bracket, Mounting
	01347.0000	2	Screw, Truss 6 - 32 x .375"
	00973.0000	2	Nut, Keps 6 - 32
14	25662.0001	1	Cord Assembly, Display 18.0" (Not illustrated)



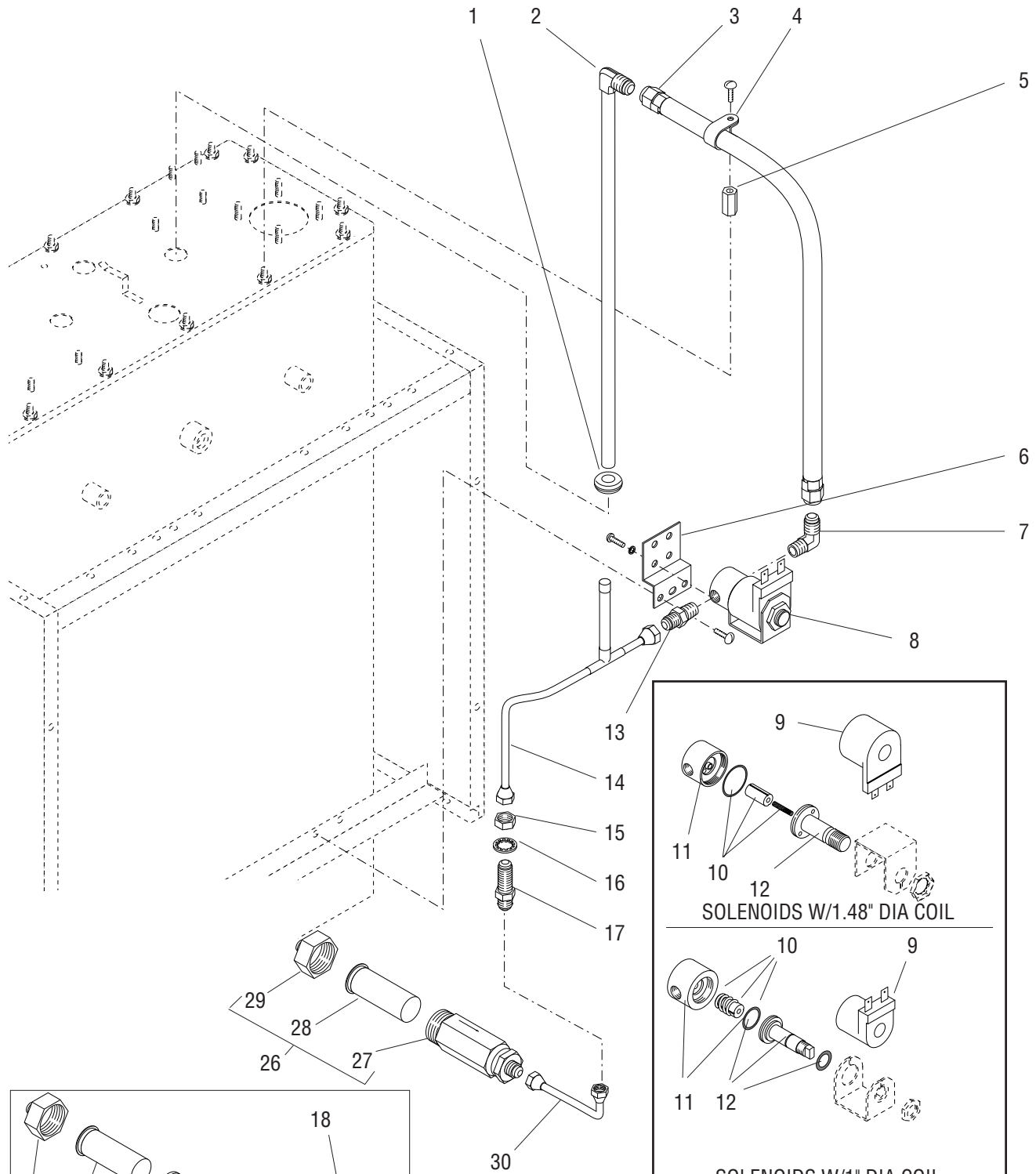
## TANK HEATER & OVERFLOW PROTECTION DEVICES

ITEM	PART NO.	QTY.	DESCRIPTION	
1	23717.0001	1	Thermostat, Limit (One additional required on brewers w/4000W tank heaters.)	
	00908.0000	2	Nut, Hex 8 - 32 (Two additional required w/4000W tank heater)	
2	02536.0000	2	Grommet, .375" I.D.	
3	20936.1000	1	Probe Kit (Includes items 4, 5 & 6)	
4	01501.0000	1	Washer, .164" I.D. x .375" O.D.	
5	20203.0100	1	Lockwasher, Internal Tooth #8	
6	00908.0000	1	Nut, Hex 8 - 32	
7	20922.1000	2	Tank Heater, 3300W @ 240V	Includes item 8
	20922.1001	2	Tank Heater, 1650W @ 120V	
	20922.1002	2	Tank Heater, 2850W @ 208V	
	12305.1000	2	Tank Heater, 4000W @208V	
	00908.0000	8	Nut, Hex 8 - 32	
8	12398.0002	2	Gasket, Tank Heater	
9	-----	1	Tube Assy, Vent (First type. Not available order item 23)	
	26622.0001	1	Tube Assy, Vent (Second type)	
10	-----	1	Bracket, Overflow Cup Mounting (First type. Not available order item 23)	
	27473.0000	1	Bracket, Overflow Cup Mounting (Second type)	
11	03803.0000	1	Switch Assy, Liquid Level (Includes items 12, 13 & 14)	
	00946.0000	1	Nut, Hex .125" FPT	
12	03633.0000	2	Gasket, Float Switch (Only 1 used in this application)	
13	-----	3	Washer, Adjusting (DO NOT USE IN THIS APPLICATION)	
14	03807.0000	1	Clip, Spring	
15	-----	1	Overflow Cup Assy (First type. Order item 23)	
	22728.0000	1	Overflow Cup Assy (Second type)	
	00965.0000	2	Nut, Zip 8 - 32	
16	12422.0000	1	Clamp, Hose .47"/.54" I.D.	
17	-----	1	Tube, Silicone .312" I.D. x 21.50" (Order item 22)	
18	12527.0002	1	Triac/Heat Sink Assy (Includes items 19, 20 & 21) (Brewers with Electronic Control only)	Brewers with Electronic Control or DBC only
	12527.0008	1	Triac/Heat Sink Assy (Includes items 19, 20 & 21) (Brewers with DBC only)(One additional required on brewers with 4000W tank heaters)	
	00971.0000	1	Nut, Keps 10 - 32	
19	12397.0000	1	Heat Sink, Copper (Brewers with Electronic Control)	
	12561.0000	1	Heat Sink, Copper (Brewers with DBC)	
20	12565.0002	1	Triac Assy, 40 Amp (Brewers with Electronic Control only)	
	12565.0008	1	Triac Assy, 40 Amp (Brewers with DBC only) (One additional required on brewers with 4000W tank heaters)	
	02328.0003	1	Screw, Pan Head 6 - 32 x .312"	
	01520.0000	1	Lockwasher, Split #6	
21	M2522.1000	-	Heat Sink Compound	
22	03236.1001	-	Tube, Silicone .312" I.D. x 36.0"	Not Illustrated
	03236.1003	-	Tube, Silicone .312" I.D. x 60.0"	
	03236.1002	-	Tube, Silicone .312" I.D. x 120.0"	
23	27461.0000	-	Kit, Square Overflow Cup (For tank assy w/out side mounted studs)	



## TANK AND MOUNTING BRACKETS

ITEM	PART NO.	QTY.	DESCRIPTION
1	26826.0000	1	Bracket, Tank Support (Top)
	02308.0000	2	Screw, Truss Head SST 8 - 32 x .375"
	01317.0005	2	Screw, Truss Head BLK 8 - 32 x .375"
	00908.0000	4	Nut, Hex 8 - 32
2	20881.0000	1	Lid, Tank
	00908.0000	14	Nut, Hex 8 - 32
3	20883.0000	1	Gasket, Tank
4	20951.1000	1	Tank (Early Models)
	20878.0001	1	Tank (Late Models)
5	20201.6001	1	Plug, Pipe .25" NPT (Not used with faucet models)
6	20201.2600	1	Bracket, Tank Mounting (Bottom) (Mechanical Thermostat & Electronic Control)
	20201.2601	1	Bracket, Tank Mounting (Bottom) (DBC Models w/4000W Tank Heaters)
	00971.0000	2	Nut, Keps 10 - 32
	02308.0000	4	Screw, Pan Head 8 - 32 x .375"
7	20201.2600	1	Bracket, Tank Mounting (Bottom) (Mechanical Thermostat) (Shown)
	20201.2601	1	Bracket, Tank Mounting (Bottom) (Electronic Control or DBC Models w/4000W Tank Heaters)
	00971.0000	2	Nut, Keps 10 - 32
	02308.0000	4	Screw, Pan Head 8 - 32 x .375"



SOLENOIDS W/1.48" DIA COIL

SOLENOIDS W/1" DIA COIL

SOLENOID REPAIR PARTS

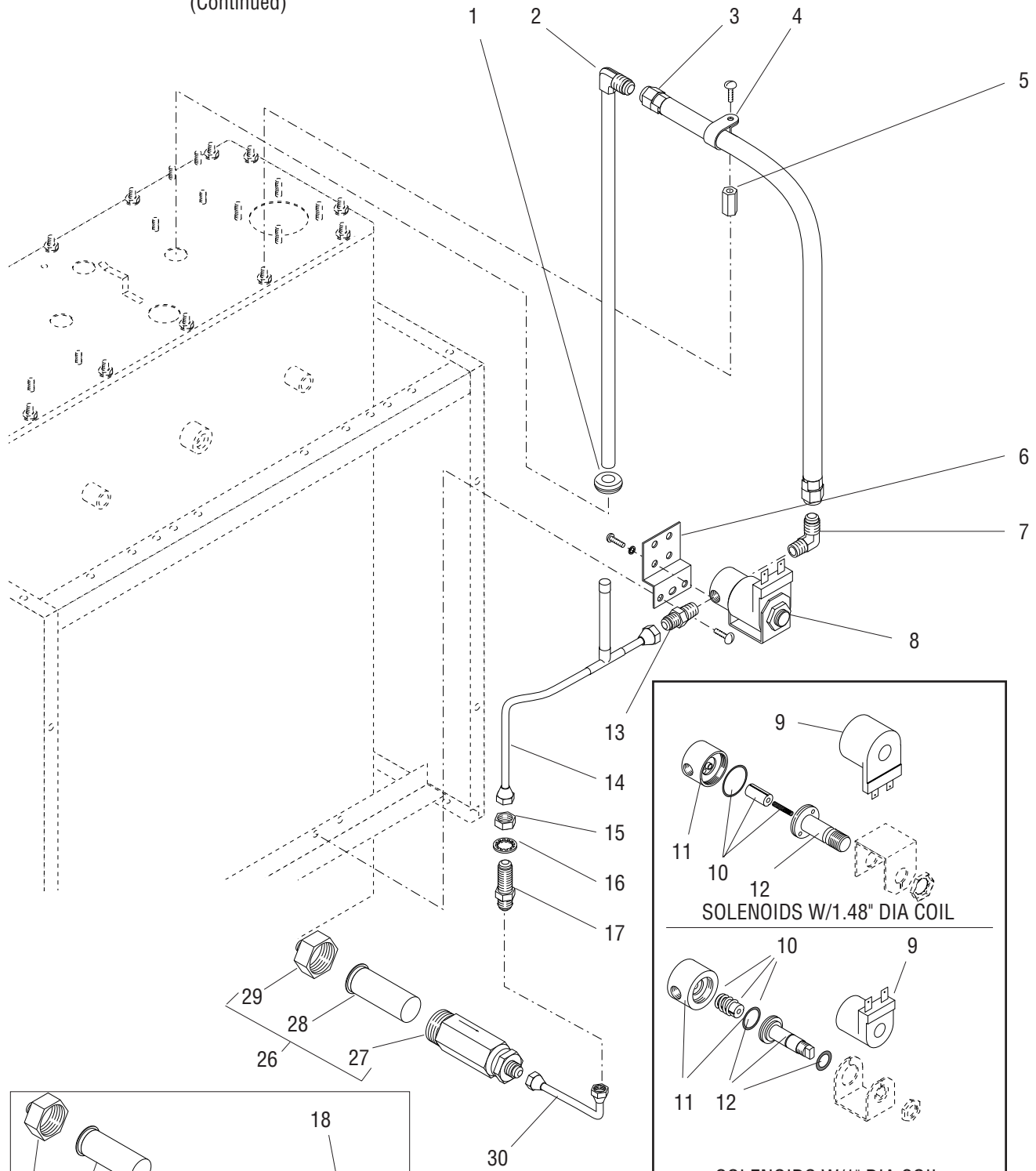
EARLY MODELS

## STRAINER, SOLENOID & LINES

ITEM	PART NO.	QTY.	DESCRIPTION
1	02536.0000	1	Grommet, .375" I.D.
2	20937.0000	1	Tube, Tank Fill
3	20977.1000	1	Hose Assy, Solenoid to Tank
4	00620.0000	1	Clamp, Hose Retaining
	02308.0000	1	Screw, Pan Head 8 - 32 x .375"
5	00950.0000	1	Spacer, Hose Clamp
6	20201.4301	1	Bracket, Solenoid Mounting
	02308.0000	2	Screw, Pan Head 8 - 32 x .375"
7	00400.0001	1	Elbow, Male .250" Flare x .125" MPT
8	-----	1	Solenoid Valve Assy, 120V - 1.48" Dia Coil (Not Available. Order 01085.0002)
	01085.0002	1	Solenoid Valve Assy, 120V - 1" Dia Coil
	01975.0000	1	Solenoid Valve Assy, 240V
	21180.0000	1	Solenoid Valve Assy, 200V
	01327.0000	2	Screw, Pan Head 10 - 32 x .375"
	01502.0000	2	Lockwasher, Split #10
9	01101.0000	1	Solenoid Valve Coil, 120V - 1.48" Dia Coil
	28480.0000	1	Solenoid Valve Coil, 120V - 1" Dia Coil
	01100.0000	1	Solenoid Valve Coil, 240V
	21181.0000	1	Solenoid Valve Coil, 200V
10	01111.0000	1	Solenoid Valve Repair Kit - 1.48" Dia Coil (Includes Plunger, Seal and Spring)
	01111.0002	1	Solenoid Valve Repair Kit - 1" Dia Coil (Includes Plunger, Spring and O-Ring)
11	01079.0000	1	Solenoid Valve Base - 1.48" Dia Coil
	28479.0000	1	Solenoid Valve Base Kit - 1" Dia Coil (Includes O-ring)
12	01116.0000	1	Guide - 1.48" Dia Coil
	28481.0000	1	Guide Kit - 1" Dia Coil (Includes Washer and O-ring)
13	00402.0001	1	Connector, .250" Flare x .125" MPT
14	25134.0000	1	Tube Assy Kit, Bulkhead to Solenoid
15	00463.0000	1	Nut, Hex .438" - 20
16	01532.0000	1	Lockwasher, Internal Tooth .438" I.D.
17	00459.0000	1	Bulkhead Fitting, .250" Flare
18	00310.0002	1	Tube Assy, Flow Control to Bulkhead (Early Models only)
19	22300.0750	1	Strainer/Flow Control Assy (Includes items 20 thru 25)(Early Models only)
20	01154.0000	1	Flow Control Outlet

(Continued)

(Continued)



SOLENOIDS W/1.48" DIA COIL

SOLENOIDS W/1" DIA COIL

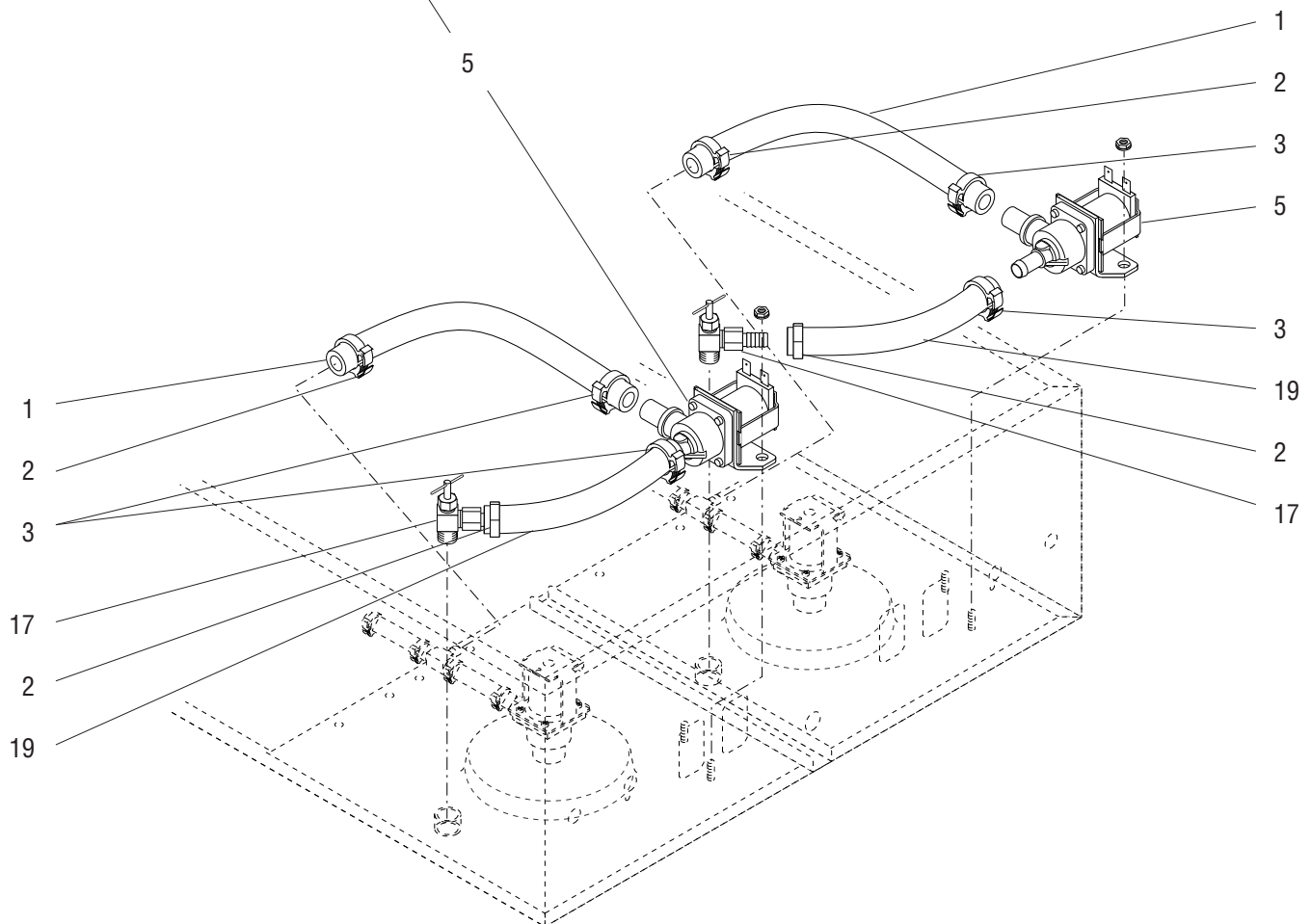
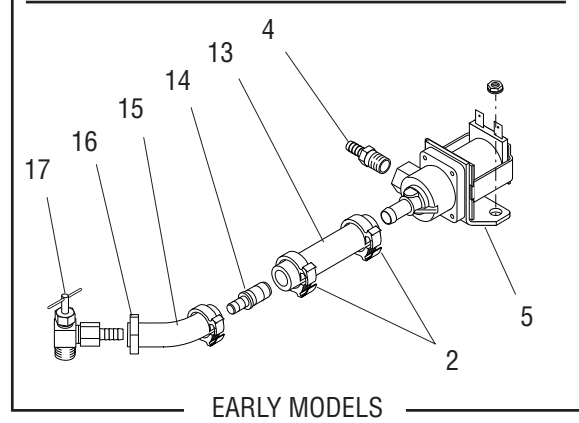
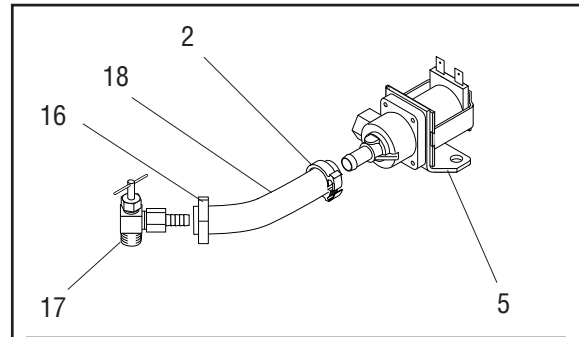
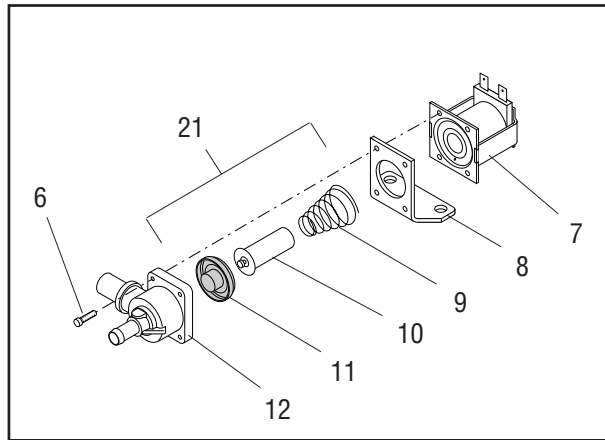
SOLENOID REPAIR PARTS

EARLY MODELS



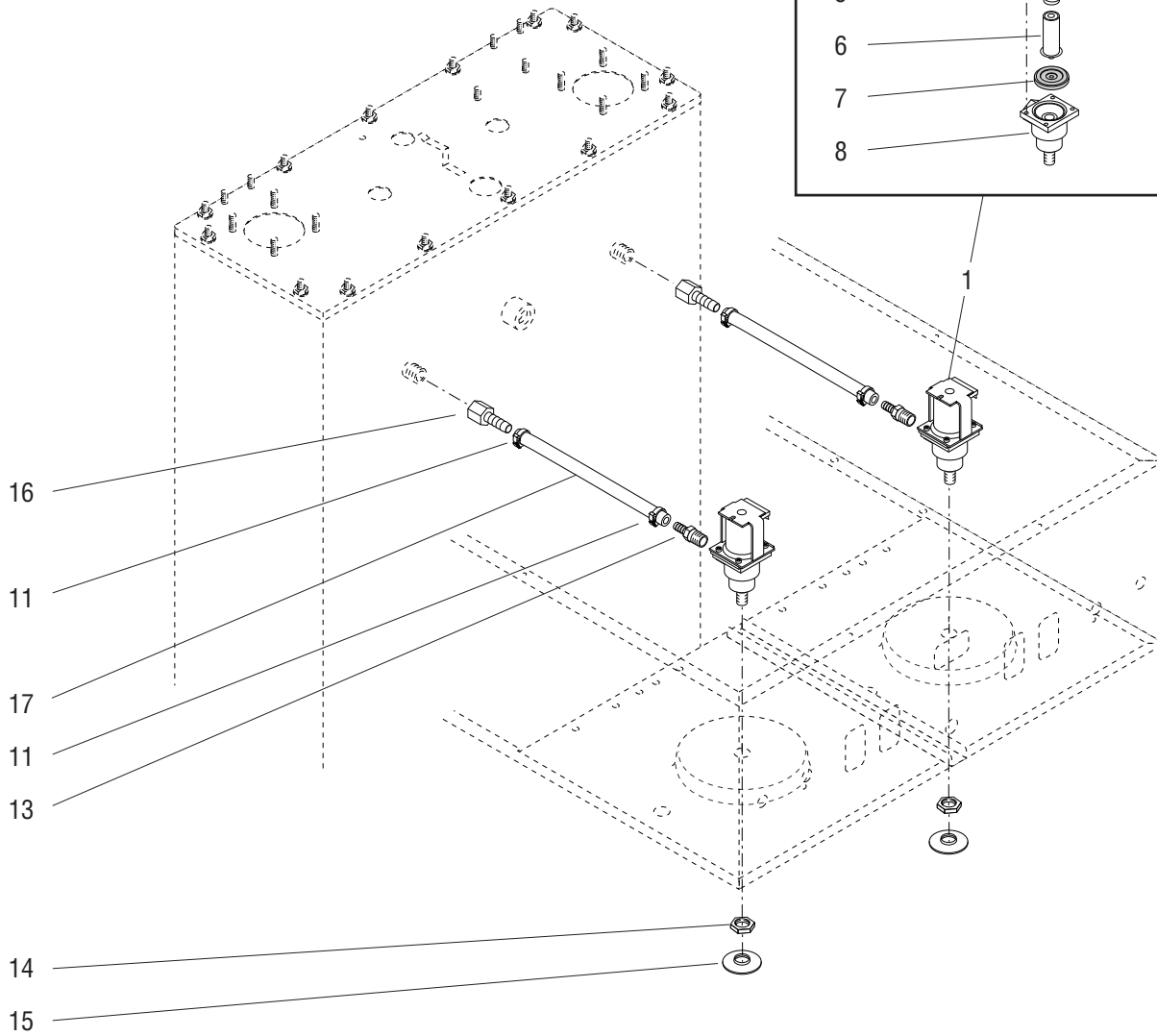
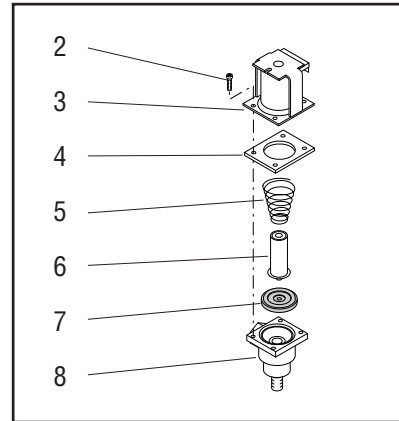
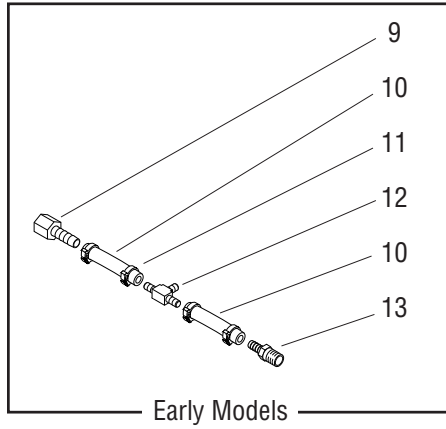
## STRAINER, SOLENOID & LINES

ITEM	PART NO.	QTY.	DESCRIPTION
21	01155.0000	1	Flow Control Gasket
22	20526.1750	1	Flow Washer/Gasket Set, .750 GPM (Includes item 21)
23	-----	1	Body (Not Available order item 19)
24	23721.0000	1	Screen
25	22249.0000	1	End Cap, Water Strainer
26	23820.1000	1	Strainer Assy. (Includes Items 27 thru 29)(Late Models only)
27	-----	1	Body (Not Available order item 26)
28	23721.0000	1	Screen
29	22249.0000	1	End Cap, Water Strainer
30	27083.0000	1	Tube Assy, Strainer to Bulkhead (Late Models only)



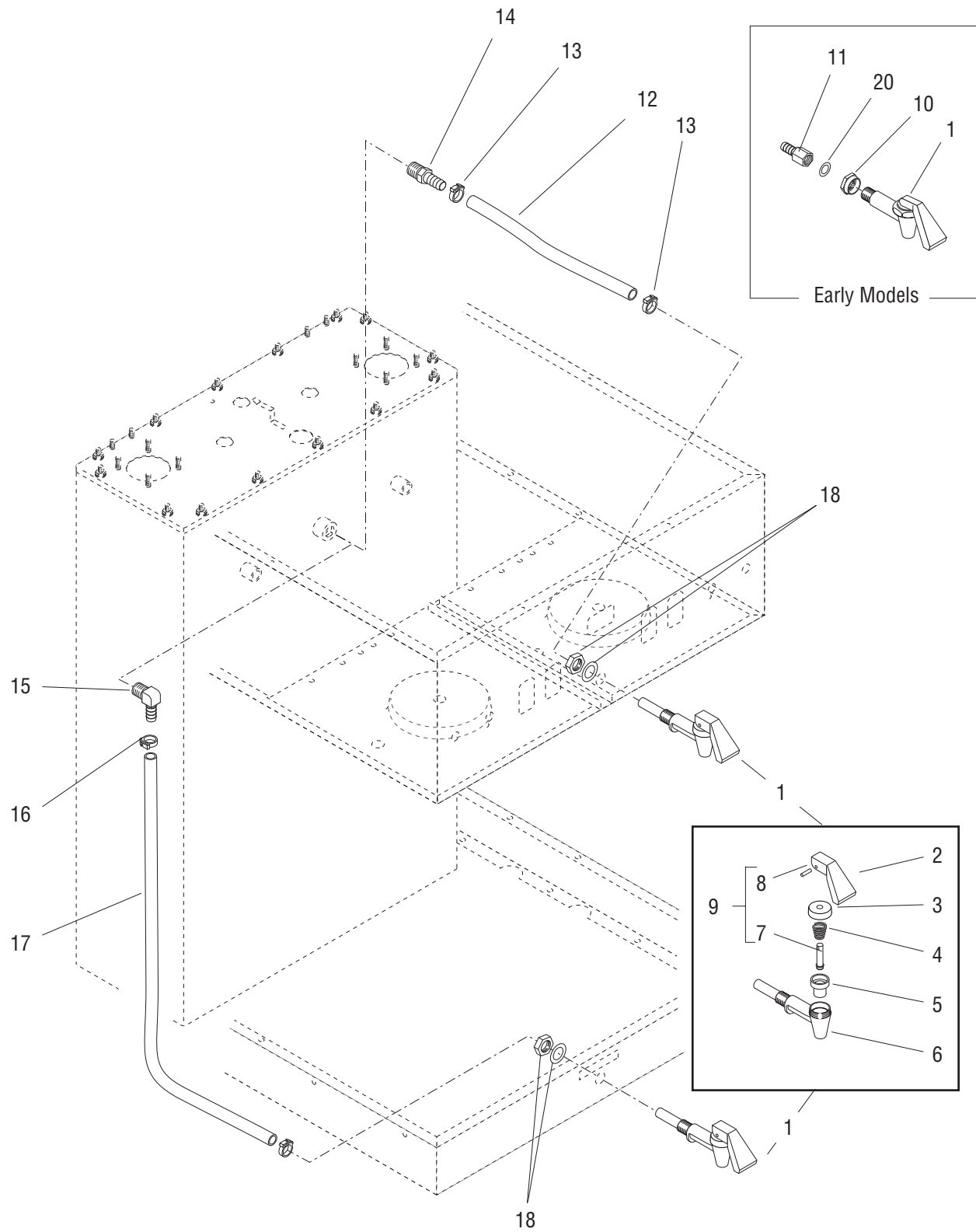
## WATER BY-PASS

ITEM	PART NO.	QTY.	DESCRIPTION	
1	-----	2	Tube, Silicone .375" I.D. x .62" O.D. x 7.25" (Order item 21)(Early models only)	
	-----	2	Tube, Silicone .375" I.D. x .62" O.D. x 9.50" (Order item 21)(Late Models only)	
2	12422.0001	4	Clamp, Hose .59"/.66" I.D. (4 additional required on Early Models)	
3	12422.0005	4	Clamp, Hose .62"/.71" I.D. (Late Models only)	
4	21136.0001	2	Fitting, Barb .375" x .25" MPT (Early models only)	
5	-----	2	Valve Assy, By-Pass 120V	<div style="display: flex; align-items: center;"> <div style="margin-right: 10px;"> <p>Early models. Not available order late model valve assy</p> <p>Late models</p> </div> <div style="font-size: 2em;">}</div> <div style="margin-left: 10px;"> <p>Includes items 6 thru 12</p> </div> </div>
	-----	2	Valve Assy, By-Pass 200V	
	-----	2	Valve Assy, By-Pass 220/240V	
	27370.0000	2	Valve Assy, By-Pass 120V	
	27370.0001	2	Valve Assy, By-Pass 200V	
	27370.0002	2	Valve Assy, By-Pass 220/240V	
	00970.0000	4	Nut, Keps 8 - 32	
6	-----	4	Screw, 8 - 32	
7	22305.0000	1	Coil Assy, By-Pass Valve 120V	<div style="display: flex; align-items: center;"> <div style="margin-right: 10px;"> <p>Early models</p> <p>Late models. Not available order item 5</p> </div> <div style="font-size: 2em;">}</div> </div>
	22305.0003	1	Coil Assy, By-Pass Valve 200V	
	22305.0002	1	Coil Assy, By-Pass Valve 220/240V	
	-----	1	Coil Assy, By-Pass Valve 120V	
	-----	1	Coil Assy, By-Pass Valve 200V	
	-----	1	Coil Assy, By-Pass Valve 220/240V	
8	-----	1	Bracket (Not available order item 5)	
9	-----	1	Spring (Not available order item 22)	
10	-----	1	Plunger (Not available order item 22)	
11	23255.0000	1	Diaphragm	
12	-----	1	Body (Not available order item 5)	
13	-----	2	Tube, Silicone .375" I.D. x .62" O.D. x 2.0" (Order item 21)	<div style="display: flex; align-items: center;"> <div style="font-size: 2em;">}</div> <div style="margin-left: 10px;"> <p>Early models only. Can use items 2, 3, 17 &amp; 19</p> </div> </div>
14	27170.0001	2	Reducer Barb .375" x .25"	
15	-----	2	Tube, Silicone .25" I.D. x .50" O.D. x 2.40" (Order item 20)	
16	12422.0000	4	Clamp, Hose .47"/.54" I.D.	
17	-----	2	Valve Assy, Needle By-Pass .25" Barb (Early models. Use late model valve & item 19)	
	20945.0002	2	Valve Assy, Needle By-Pass .375" Barb (Late models)	
18	-----	2	Tube, Silicone .25" I.D. x .50" O.D. x 4.0" (Early models. Can use items 2, 3, 17 & 19)	
19	-----	2	Tube, Silicone .375" I.D. x .62" O.D. x 4.75" (Order item 21) (Late models)	
20	11707.1000	1	Tube, Silicone .25" I.D. x 12.0"	<div style="display: flex; align-items: center;"> <div style="font-size: 2em;">}</div> <div style="margin-left: 10px;"> <p>Not illustrated</p> </div> </div>
	11707.1001	1	Tube, Silicone .25" I.D. x 36.0"	
	11707.1002	1	Tube, Silicone .25" I.D. x 120.0"	
21	20976.1000	1	Tube, Silicone .375" I.D. x 12.0"	
	20976.1001	1	Tube, Silicone .375" I.D. x 36.0"	
	20976.1002	1	Tube, Silicone .375" I.D. x 120.0"	
22	11517.0008	-	Valve Repair Kit (Includes one each of items 9, 10 & 11)	



## DISPENSE VALVE & SPRAYHEAD

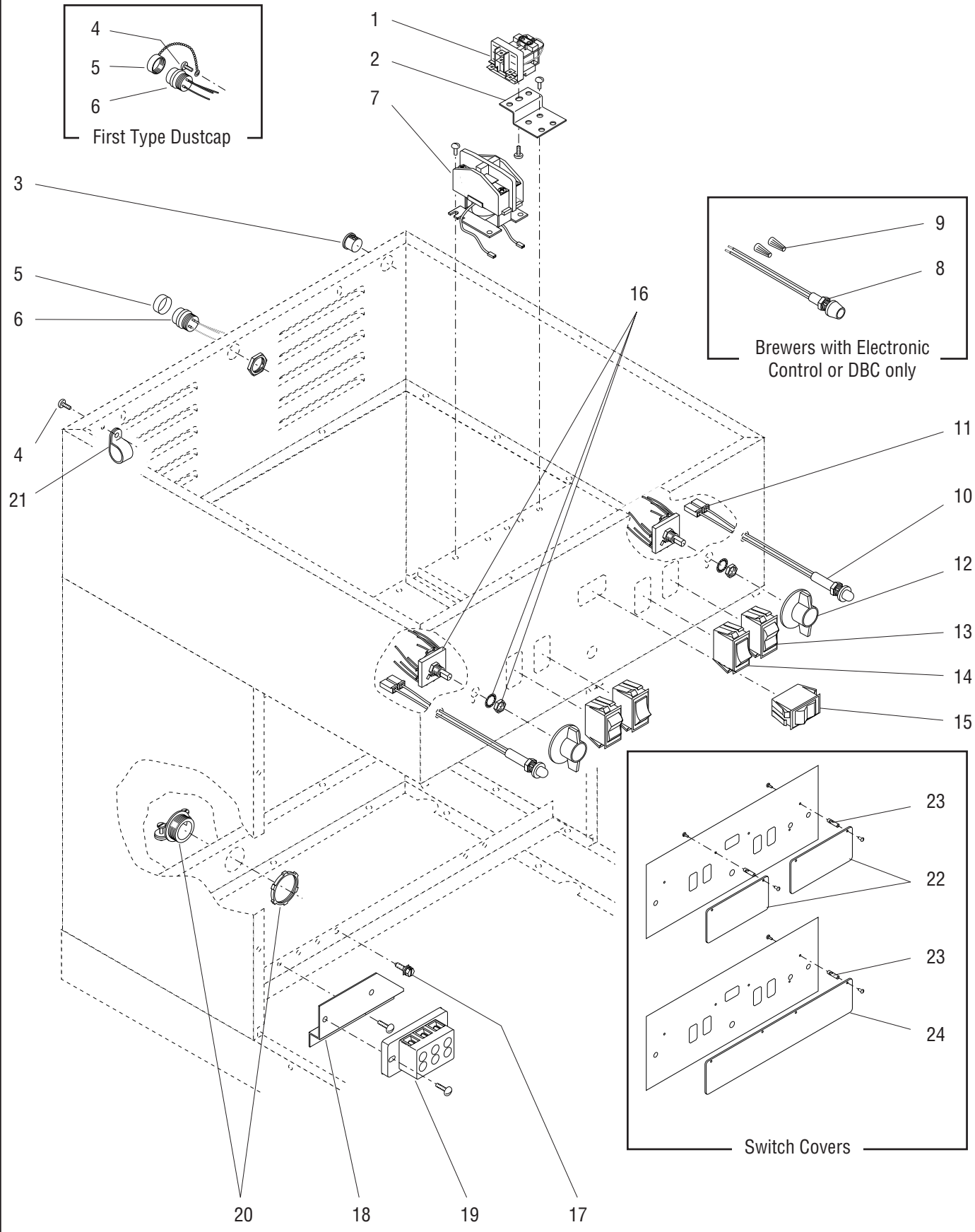
ITEM	PART NO.	QTY.	DESCRIPTION	
1	26846.0000	2	Valve Assy, Sprayhead 120V	} Includes items 2 thru 8
	26846.0001	2	Valve Assy, Sprayhead 200V	
	26846.0002	2	Valve Assy, Sprayhead 220/240V	
2	23254.0000	4	Screw, 8 - 32	
3	22305.0000	1	Coil Assy, Dispensing Valve 120V	
	22305.0003	1	Coil Assy, Dispensing Valve 200V	
	22305.0002	1	Coil Assy, Dispensing Valve 220/240V	
4	23256.0000	1	Spacer Plate	
5	-----	1	Spring (Not available order item 19)	
6	-----	1	Plunger (Not available order item 19)	
7	23255.0000	1	Diaphragm	
8	-----	1	Body (Not available order item 1)	
9	26809.0001	2	Fitting, .38" Barb x .38" FPT (Early Models)	
10	-----	4	Tube, Silicone .38" I.D. x .62" O.D. x 2.25" (Order item 18) (Early Models)	
11	12422.0001	8	Clamp, Hose .59"/.66" I. D.	
12	06866.0000	2	Fitting, Tee .38" Barb (Early Models)	
13	21136.0001	2	Fitting, Barb .375" x .25" MPT	
14	01075.0000	2	Nut, Hex .438" - 20	
15	01082.0002	2	Sprayhead, 6 - Hole	
16	26924.0000	2	Tee, Run .25"FPT x .38" x .38" Barb (Late Models)	
17	-----	2	Tube, Silicone .38" I.D. x .62" O.D. x 5.25" (Order item 18)(Late Models)	
18	20976.1000	1	Tube, Silicone .375" I.D. x 12.0"	} Not illustrated
	20976.1001	1	Tube, Silicone .375" I.D. x 36.0"	
	20976.1002	1	Tube, Silicone .375" I.D. x 120.0"	
19	11517.0008	-	Valve Repair Kit (Includes one each of items 5, 6 & 7)	



Only one Faucet location option (Upper or Lower) is applicable to each Brewer

## FAUCET - UPPER AND LOWER

ITEM	PART NO.	QTY.	DESCRIPTION	
1	02596.1005	1	Faucet Assy (Includes items 2 thru 8) (Early Models)	
	29075.0000	1	Faucet Assy (Includes items 2 thru 8) (Late Models)	
2	02861.0000	1	Handle, Faucet	
3	02854.0000	1	Bonnet, Faucet	
4	02595.0000	1	Spring, Faucet	
5	02766.0000	1	Seat Cup, Faucet	
6	02856.0002	1	Body, Faucet (Early Models)	
	02856.0005	1	Body, Faucet (Late Models)	
7	13054.0000	1	Stem, Faucet	
8	02858.0000	1	Pin, Spring .125" Dia. x .50"	
9	02594.0000	1	Faucet Stem W/Pin (Includes items 7 & 8)	
10	02850.0000	1	Jam Nut, Faucet (Early Models)	
11	12437.0000	1	Adapter, Barb (On early models also order item 20)	Upper Faucet Models
12	-----	1	Tube, Silicone .38" I.D. x .62" O.D. x 10.25" (Order item 19)	
13	12422.0001	2	Clamp, Hose .59" x .66" I.D.	
14	21136.0001	1	Fitting, Barb .375" x .25" MPT	Lower Faucet Models
15	20202.1601	1	Elbow, 90° .375" Barb x .25" MPT	
16	12422.0001	2	Clamp, Hose .59" x .66" I.D.	
17	-----	1	Tube, Silicone .38" I.D. x .62" O.D. x 30.0" (Order item 19)	
18	29264.0000	1	Nut, Hex .50-20 UNF	Late Models
	01544.0000	1	Washer	
19	20976.1000	1	Tube, Silicone .38" I.D. x .62" O.D. x 12.0"	Not Illustrated
	20976.1001	1	Tube, Silicone .38" I.D. x .62" O.D. x 36.0"	
	20976.1002	1	Tube, Silicone .38" I.D. x .62" O.D. x 120.0"	
20	27574.0000	1	Washer, Sealing (Early Models)	
21	28706.0002	-	Faucet Kit (Includes items 2,4,5,7 & 8)	



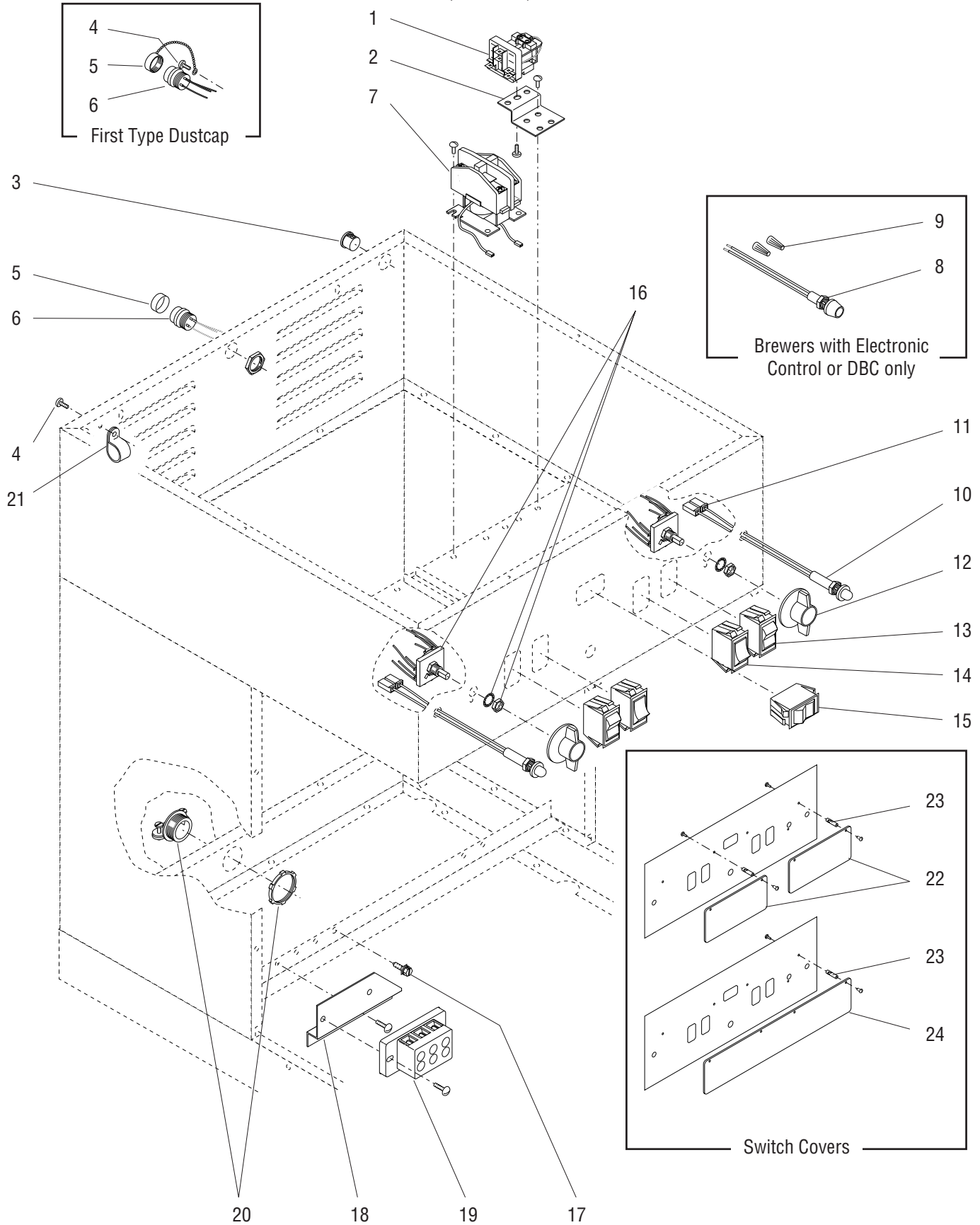
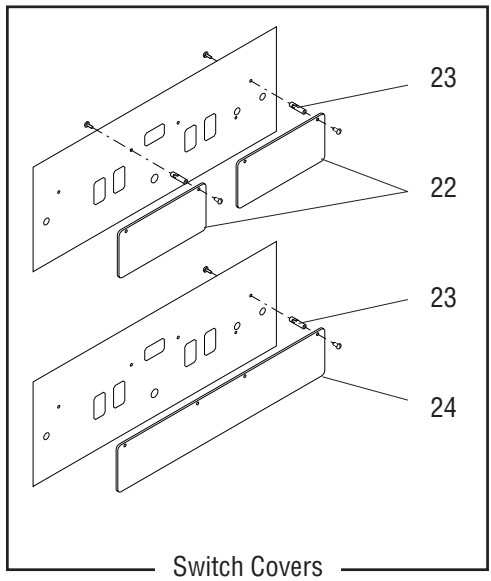
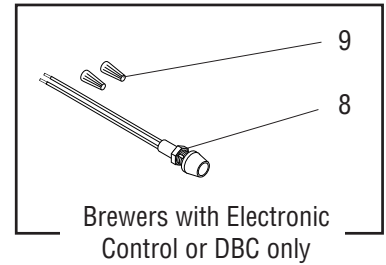
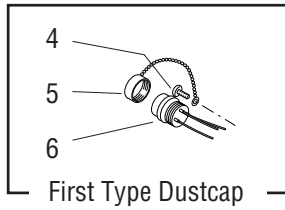


## ELECTRICAL CONTROLS AND READY LIGHT

ITEM	PART NO.	QTY.	DESCRIPTION	
1	02618.1000	-	Relay, 120V	} Used with Recovery Booster only - One each with Electronic Control - Two each with Mech. Thermostat
	02806.0000	-	Relay, 240V	
	22089.0000	-	Relay, 200V	
	01347.0000	-	Screw, Truss Head 6 - 32 x .375"	
2	20201.4300	-	Bracket, Relay	
3	00669.0000	-	Plug, Hole (Use as required)	
4	01382.0003	3	Screw, Truss Head 6 - 32 x .375"	} 2 less required on late models
	00973.0000	3	Nut, Keps 6 - 32	
	01382.0002	1	Screw, Truss Head BLK 6 - 32 x .375"	
5	-----	1	Dustcap W/Chain (First type. Not available order second type Dustcap)	} Two used with two Grinder Interface Models
	27657.0000	1	Dustcap, Socket (Second type)	
6	12274.0002	1	Socket Assy W/Leads, Interface	
7	06335.1000	1	Contactor Assy, 120V Coil	} Used With Mechanical Thermostat & Electronic Control W/Recovery Booster
	06335.1002	1	Contactor Assy, 200/240V Coil	
	01327.0000	2	Screw, Pan Head 10 - 32 x .375"	
8	12517.0002	1	Ready Light Replacement Kit (Includes item 9)	} Brewers with Electronic Control or DBC only
	00764.0000	1	Plug, Hole .375" (Not Illustrated)	
9	01570.0000	2	Wire Nut, 2 - 24 AWG	
10	12984.0002	2	Light Assy, 120V (Includes 2 of item 11)	} Brewers with Mechanical Thermostat only
	12984.0004	2	Light Assy, 240V (Includes 2 of item 11)	
11	04243.0000	4	Terminal Housing, Receptacle	
12	12246.0000	2	Knob, Rotary Switch (Includes Setscrew Indented Below)	
	02338.0000	2	Setscrew, Locking 8 - 32 x .25"	
13	02753.0000	2	Switch, On/Off 120V	
	02754.0000	2	Switch, On/Off 240V	
14	02628.0000	2	Switch, Momentary - Start	
15	05789.0000	1	Switch, Selector (One Grinder Interface Models only)	
16	20969.0001	2	Switch Assy, Rotary (Brewers with Mechanical Thermostat or Electronic Control)	
	20969.0004	2	Switch Assy, Rotary (Brewers with DBC)	
17	01309.0000	1	Ground Screw W/Terminal Washer 10 - 32 x .50"	
18	21120.0000	1	Bracket, Terminal Block Mounting	
	02308.0000	2	Screw, Pan Head 8 - 32 x .375"	
19	07038.0000	1	Terminal Block, 3 Pole (120/240V) (Shown)	
	01106.0000	1	Terminal Block, 2 Pole (120V)	
	01106.0001	1	Terminal Block, 2 Pole (200/240V)	
	01317.0000	2	Screw, Truss Head 8 - 32 x .50"	
20	01590.0000	1	Connector, Cable	
21	05920.0000	1	Clamp, Cable .250" I.D.	

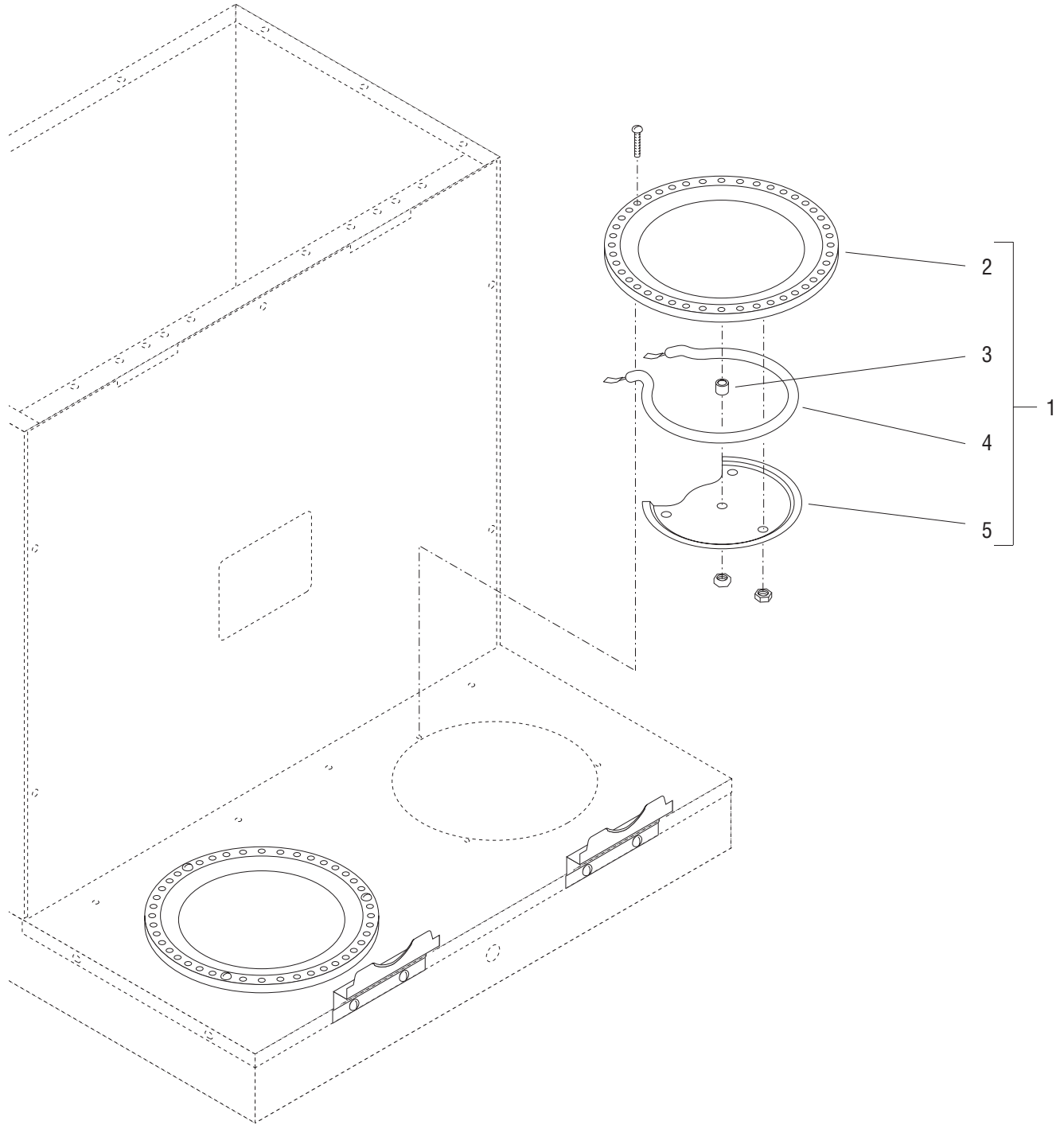
(continued)

(continued)



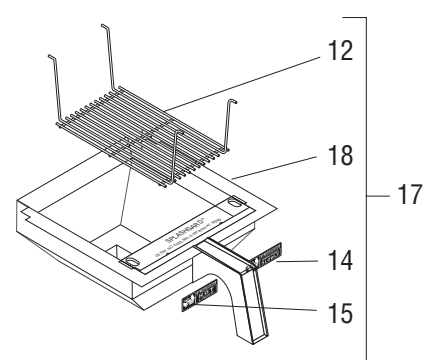
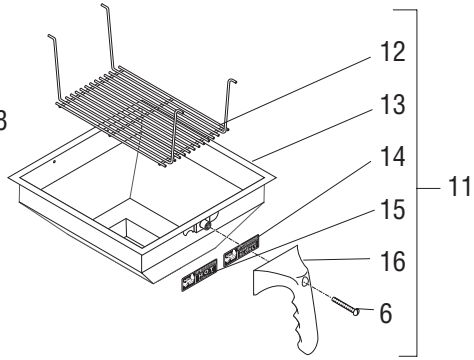
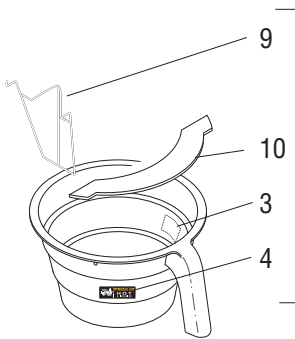
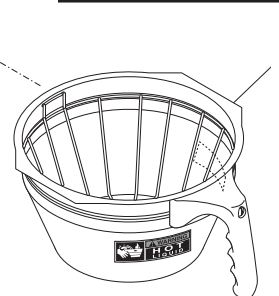
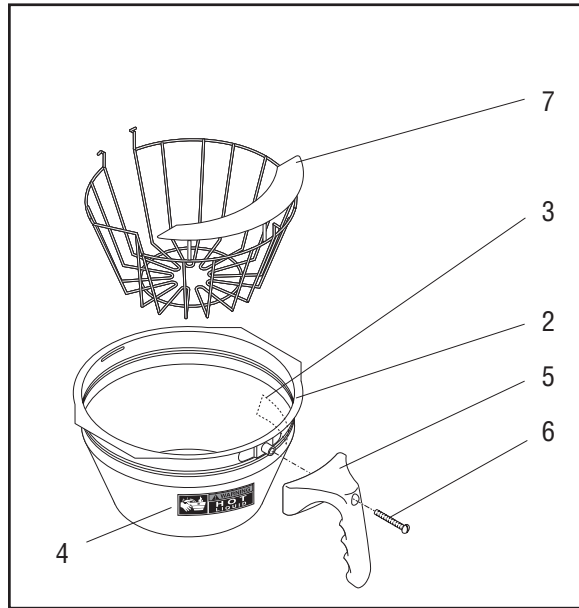
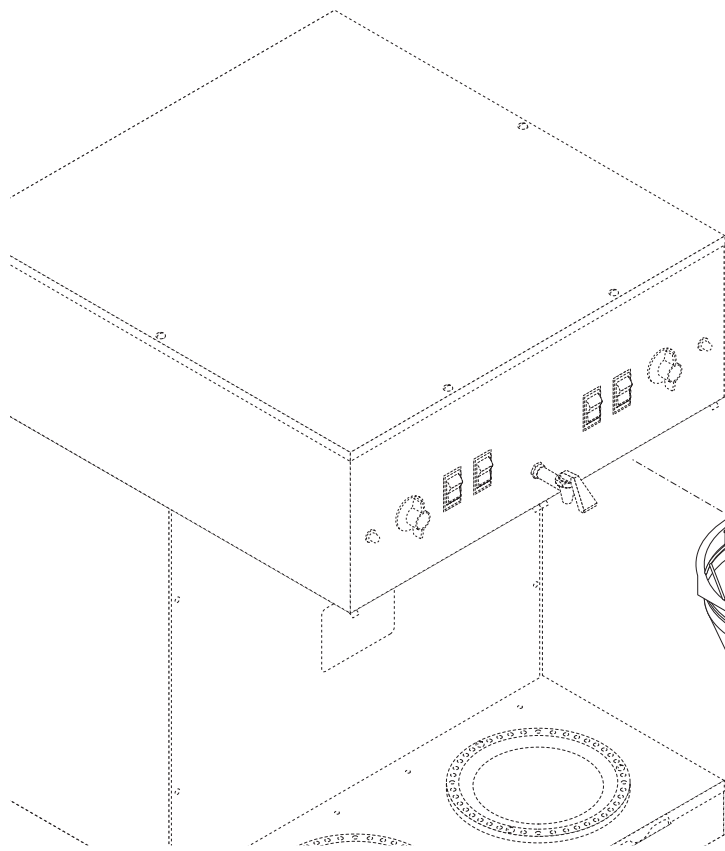
## ELECTRICAL CONTROLS AND READY LIGHT

ITEM	PART NO.	QTY.	DESCRIPTION	
22	12146.0001	2	Cover, Switch (Two piece)	
	02323.0002	4	Screw, Truss Head 6 - 32 x .25" (Black)	
23	12148.0001	4	Spacer, Hinged	] See item 48
	01382.0000	4	Screw, Truss Head 6 - 32 x .375"	
	01510.0000	4	Lockwasher, Ext. Tooth #6	
24	12146.0003	2	Cover, Switch (One piece)	
	02323.0002	4	Screw, Truss Head 6 - 32 x .25" (Black)	
NOTE : The following items are not illustrated				
25	26802.0000	1	Wiring Harness, Main (120/240V Mechanical Thermostat)	] Not used on Brewers equipped with DBC
	26802.0001	1	Wiring Harness, Main (200/240V Mechanical Thermostat)	
	26802.0002	1	Wiring Harness, Main (120/240V Electronic Control)	
	26802.0003	1	Wiring Harness, Main (200/240V Electronic Control)	
	26802.0004	1	Wiring Harness, Main (120V Mechanical Thermostat)	
26	25645.0002	1	Wiring Harness, Signal	] Brewers with DBC only
27	25646.0001	1	Wiring Harness, Power	
28	23904.0000	1	Wiring Harness, Interface Switch (One Grinder Interface Models only)	
29	26810.0000	1	Wiring Harness, 1-Set (Models with 1 batch option only)	
30	21012.0006	1	Lead, Elect. Red 30.0" (Contactor to Left Heater)	] Mech. Thermostat only
31	21012.0007	1	Lead, Elect. Red 12.0" (Contactor to Right Heater)	
32	21012.0008	1	Lead, Elect. Blk 20.0" (Contactor to Left Heater)	
33	21012.0009	1	Lead, Elect. Blk 11.0" (Contactor to Right Heater)	
34	21012.0029	1	Lead, Elect. Blu 20.0" (Tank Heater to Tank Heater)	] Electronic Control only
35	21012.0031	1	Lead, Elect. Blk 14.5" (Tank Heater to Tank Heater)	
36	21012.0078	1	Lead, Elect. Blk 9.0" (Right Heater to Limit Thermostat)	
37	21005.0351	1	Lead, Elect. Wht/Red 12.0" (Left Disp. Valve to Left Relay)	] Mech. Thermostat & Recovery Booster
38	22042.0000	1	Lead Assy, Elect. Blu 9.0" (Right Relay to Wire Nuts)	
39	22043.0000	1	Lead Assy, Elect. Blk 30.0" (Left Relay to Contactor)	
40	21003.0045	1	Lead, Elect. Red 8.0" (Relay to Relay)	
41	21012.0036	1	Lead, Elect. Blu 18.0" (Contactor to Right Heater)	] Electronic Control & Recovery Booster
42	21012.0037	1	Lead, Elect. Red 30.0" (Terminal Block to Contactor)	
43	21005.0354	1	Lead, Elect. Wht/Red 10.0" (Left Disp. Valve to Relay)	
44	21004.0110	1	Lead, Elect. Gry 6.0" (Relay to Contactor)	
45	21005.0349	1	Lead, Elect. Wht/Grn 10.0" (Relay to Right Disp. Valve)	] Recovery Booster only
46	21005.0350	1	Lead, Elect. Wht/Vio 12.0" (Relay to Right Disp. Valve)	
47	24740.0000	1	Lead, Elect. Wht/Brn 15.0" (Left Disp. Valve to Contactor)	
48	28029.0000	1	Kit, Switch Cover (Includes items 23 & 24)	



## WARMER ASSEMBLIES

ITEM	PART NO.	QTY.	DESCRIPTION
1	03652.0000	2	Warmer Assy, Blk 100W 120V (Includes items 2 thru 5)
	02817.0000	2	Warmer Assy, Blk 100W 220V (Includes items 2 thru 5)
	01303.0000	6	Screw, Pan Head #4 - 40 x .50"
2	03656.0000	1	Warmer Dish, Blk - 45 Hole
3	13042.0001	1	Spacer, .174" I.D. x .188"
4	01227.0000	1	Warmer Element, 100W 120V
	01951.0000	1	Warmer Element, 100W 220V
5	05212.0000	1	Plate, Warmer Retainer
	00970.0000	2	Nut, Keps 8 - 32



OPTIONAL FUNNELS

## FUNNELS

ITEM	PART NO.	QTY.	DESCRIPTION
1	20201.1201	2	Funnel Assy, SST (Black Handle)
	20201.1204	2	Funnel Assy, SST (Red Handle)
			} Includes Items 2 thru 7
2	24462.0000	1	Funnel W/Decals (Includes items 3 & 4)
3	03408.0000	1	Decal, Warning-Remove Funnel
4	03409.0000	1	Decal, Warning-Hot Liquid
5	20201.1100	1	Handle, Funnel-Black
	20201.1101	1	Handle, Funnel-Red
6	12499.0002	1	Screw, Round Head .25" - 20 x 1.50"
7	-----	1	Filter Basket (First Type. Not available, order Second Type)
	33089.0000	1	Filter Basket w/Splashgard (Second Type)
8	22735.0000	2	Funnel Assy, Plastic-Black (Includes items 3, 4, 9 & 10)
	22735.0002	2	Funnel Assy, Plastic-Smoke (Includes items 3, 4, 9 & 10)
9	21911.0000	1	Funnel Adapter, Water By-Pass
10	32965.0000	1	Splashgard
11	29911.0000	2	Funnel Assy, Pouch Pack (Includes items 6 & 12 thru 16)
12	29916.0000	1	Wire Form Insert
13	29914.0000	1	Funnel W/Decals (Includes items 14 & 15)
14	03408.0002	1	Decal, Warning-Remove Funnel
15	03409.0002	1	Decal, Warning-Hot Liquid
16	29915.0000	1	Handle, Pouch Pack Funnel
17	35285.0000	1	Funnel Assy, Pouch Pack Plastic (Includes items 12, 14, 15 18 & 19)
18	34439.0000	1	Funnel W/Decals (Includes items 14 & 15)
19	34438.0000	1	Splashgard, Black Plastic

# NUMERICAL INDEX

PART NO.	PAGE NO.	PART NO.	PAGE NO.	PART NO.	PAGE NO.	PART NO.	PAGE NO.
00310.0002	23	01502.0000	23	04243.0000	33	13255.0001	7
00400.0001	23	01510.0000	5,9,11,13,35	04314.0001	9,11	13255.0002	7
00402.0001	23	01511.0000	9,11	04786.0002	13,15	01374.0000	7
00459.0000	23	01520.0000	19	05212.0000	37	01347.0002	7
00463.0000	23	01532.0000	23	05789.0000	33	20201.0801	39
00502.0000	7	01533.0000	9,11,13,15,17	05920.0000	33	20201.1100	39
00506.0000	7	01544.0000	31	06335.1000	33	20201.1101	39
00619.0002	13,15	01570.0000	33	06335.1002	33	20201.1201	39
00619.0005	7	01590.0000	33	06866.0000	29	20201.1204	39
00619.0007	7	01667.0000	17	07038.0000	33	20201.2600	21
00619.0008	7	01951.0000	37	07073.0000	9,11	20201.2601	21
00620.0000	23	01975.0000	23	07074.1026	9,11	20201.4300	33
00656.0000	5	02308.0000	5,7,9,11,13	07074.1027	9,11	20201.4301	23
00658.0000	5	02308.0000	15,17,21,23,33	07075.0000	17	20201.5600	5,7
00669.0000	33	02323.0002	35	07441.0000	17	20201.6001	21
00671.0000	7	02324.0000	7	10044.0000	7	20202.1601	31
00720.0000	9,11	02328.0003	17,19	10864.0000	5	20203.0100	19
00764.0000	33	02336.0000	5	10864.0001	5	20526.1750	25
00831.0000	5	02336.0002	5	10864.0003	5	20762.0000	9,11
00908.0000	19,21	02338.0000	33	10864.0005	5	20878.0001	21
00916.0000	7	02536.0000	19,23	10864.0006	5	20881.0000	21
00946.0000	19	02594.0000	31	11517.0008	27,29	20883.0000	21
00950.0000	23	02595.0000	31	11591.0000	7	20916.0000	7
00965.0000	19	02596.1005	31	11707.1000	27	20922.1000	19
00970.0000	17,27,37	02618.1000	33	11707.1001	27	20922.1001	19
00971.0000	19,21	02620.1040	9,13	11707.1002	27	20922.1002	19
00973.0000	17,33	02620.1041	9,13	12146.0001	35	20936.1000	19
01075.0000	29	02628.0000	33	12146.0003	35	20937.0000	23
01079.0000	23	02753.0000	33	12148.0001	35	20945.0002	27
01082.0002	23	02754.0000	33	12246.0000	33	20948.0001	9,11,13,15,17
01085.0002	29	02766.0000	31	12274.0002	33	20951.1000	21
01100.0000	23	02806.0000	33	12305.1000	19	20966.0000	5
01101.0000	23	02817.0000	37	12364.0000	7	20966.0001	5
01106.0000	33	02850.0000	31	12397.0000	19	20966.0002	5
01106.0001	33	02854.0000	31	12398.0002	19	20966.0003	5
01111.0000	23	02856.0002	31	12422.0000	19,27	20966.0004	5
01111.0002	23	02856.0005	31	12422.0001	27,29,31	20966.0005	5
01116.0000	23	02858.0000	31	12422.0005	27	20969.0001	33
01154.0000	23	02861.0000	31	12437.0000	31	20969.0004	33
01155.0000	25	03011.0000	7	12499.0002	39	20976.1000	27,29,31
01227.0000	37	03236.1001	19	12517.0002	33	20976.1001	27,29,31
01303.0000	37	03236.1002	19	12527.0002	19	20976.1002	27,29,31
01309.0000	33	03236.1003	19	12527.0008	19	20977.1000	23
01311.0000	7	03359.0000	7	12559.0000	13,15	21003.0045	35
01317.0000	33	03408.0000	39	12560.0015	13,15	21004.0110	35
01317.0005	21	03408.0002	39	12561.0000	19	21005.0349	35
01327.0000	23,33	03409.0000	39	12565.0002	19	21005.0350	35
01347.0000	9,11,13	03409.0002	39	12565.0008	19	21005.0351	35
01347.0000	15,17,33	03633.0000	19	12568.0003	17	21005.0354	35
01382.0000	17,35	03652.0000	37	12570.0000	13,15,17	21012.0006	35
01382.0002	33	03656.0000	37	12919.0008	7,9	21012.0007	35
01382.0003	5,7,33	03803.0000	19	12984.0002	33	21012.0008	35
01382.0007	5,7	03807.0000	19	12984.0004	33	21012.0009	35
01388.0000	9,11,13,15,17	03993.0000	7	13042.0001	37	21012.0029	35
01501.0000	19	03996.0000	7	13054.0000	31	21012.0031	35



## NUMERICAL INDEX

PART NO.	PAGE NO.	PART NO.	PAGE NO.	PART NO.	PAGE NO.	PART NO.	PAGE NO.
21012.0036	35	25645.0002	35	32400.0003	9,11,13,15		
21012.0037	35	25646.0001	35	32540.0000	7		
21012.0078	35	25648.0000	17	32965.0000	39		
21104.0003	7	25654.0000	17	33089.0000	39		
21104.0004	7	26263.0000	17	34438.0000	39		
21106.0000	7	26622.0001	17,19	34439.0000	39		
21120.0000	33	26802.0000	35	35282.0000	39		
21122.0000	13,15	26802.0001	35	M2522.1000	19		
21136.0001	27,29,31	26802.0002	35				
21180.0000	23	26802.0003	35				
21181.0000	23	26802.0004	35				
21911.0000	39	26809.0001	29				
22042.0000	35	26810.0000	35				
22043.0000	35	26826.0000	21				
22089.0000	33	26846.0000	29				
22249.0000	25	26846.0001	29				
22300.0750	23	26846.0002	29				
22305.0000	27,29	26916.0000	7				
22305.0002	27,29	26916.0001	7				
22305.0003	27,29	26924.0000	29				
22313.0000	5	26949.0000	7				
22313.0001	5	26971.1000	7				
22313.0002	5	27035.0000	17				
22313.0003	5	27044.0000	5				
22313.0004	5	27044.0001	5				
22313.0005	5	27044.0002	5				
22313.0007	5	27044.0003	5				
22728.0000	19	27044.0004	5				
22735.0000	39	27044.0006	5				
22735.0002	39	27044.0007	5				
23254.0000	29	27083.0000	25				
23255.0000	27,29	27150.0000	7				
23256.0000	29	27170.0001	27				
23717.0001	19	27370.0000	27				
23721.0000	25	27370.0001	27				
23820.1000	25	27370.0002	27				
23904.0000	35	27461.0000	19				
24396.0000	5	27473.0000	19				
24396.0001	5	27574.0000	31				
24396.0003	5	27657.0000	33				
24455.0000	7	28029.0000	35				
24455.0002	7	28377.0000	9,11				
24458.0000	5	28479.0000	23				
24458.0002	5	28480.0000	23				
24462.0000	39	28481.0000	23				
24486.1000	11,15	28706.0002	31				
24486.1001	11,15	29075.0000	31				
24740.0000	35	29264.0000	31				
25134.0000	23	29911.0000	39				
25151.0000	5	29914.0000	39				
25376.0000	5	29915.0000	39				
25376.0001	5	29916.0000	39				
25376.0002	5	32400.0000	9,11,13,15				
25468.0002	17	32400.0001	9,11,13,15				
25513.0000	17	32400.0002	9,11,13,15				