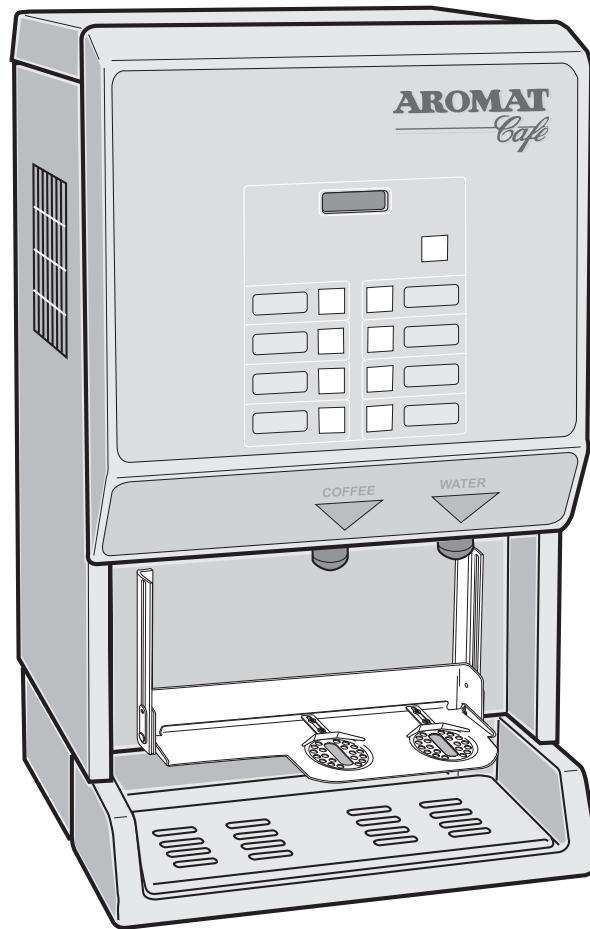


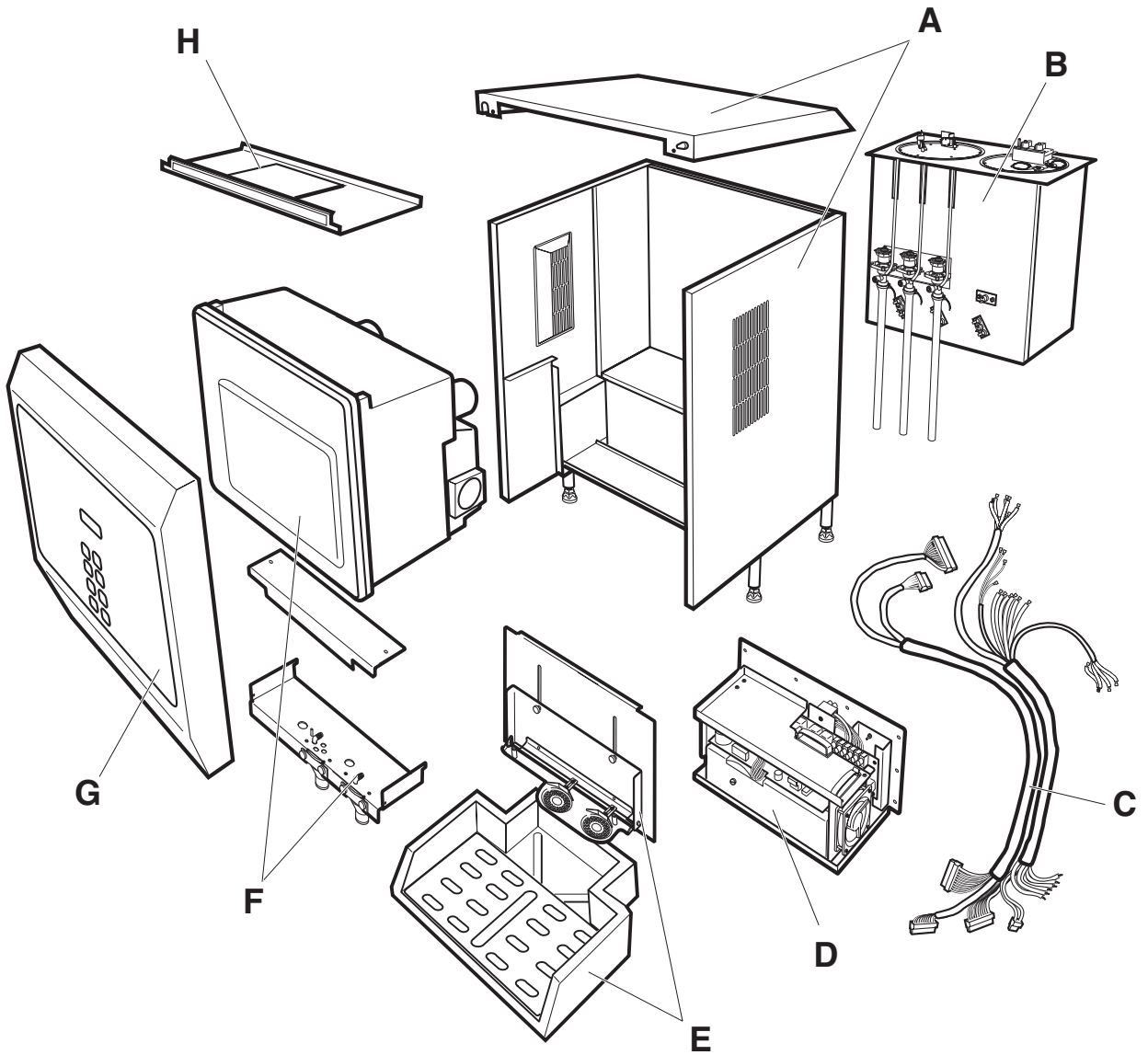
AROMAT

Cafe



Powerplex D4-digital Parts Catalogue

AROMAT
Cafe
Powerplex D4di

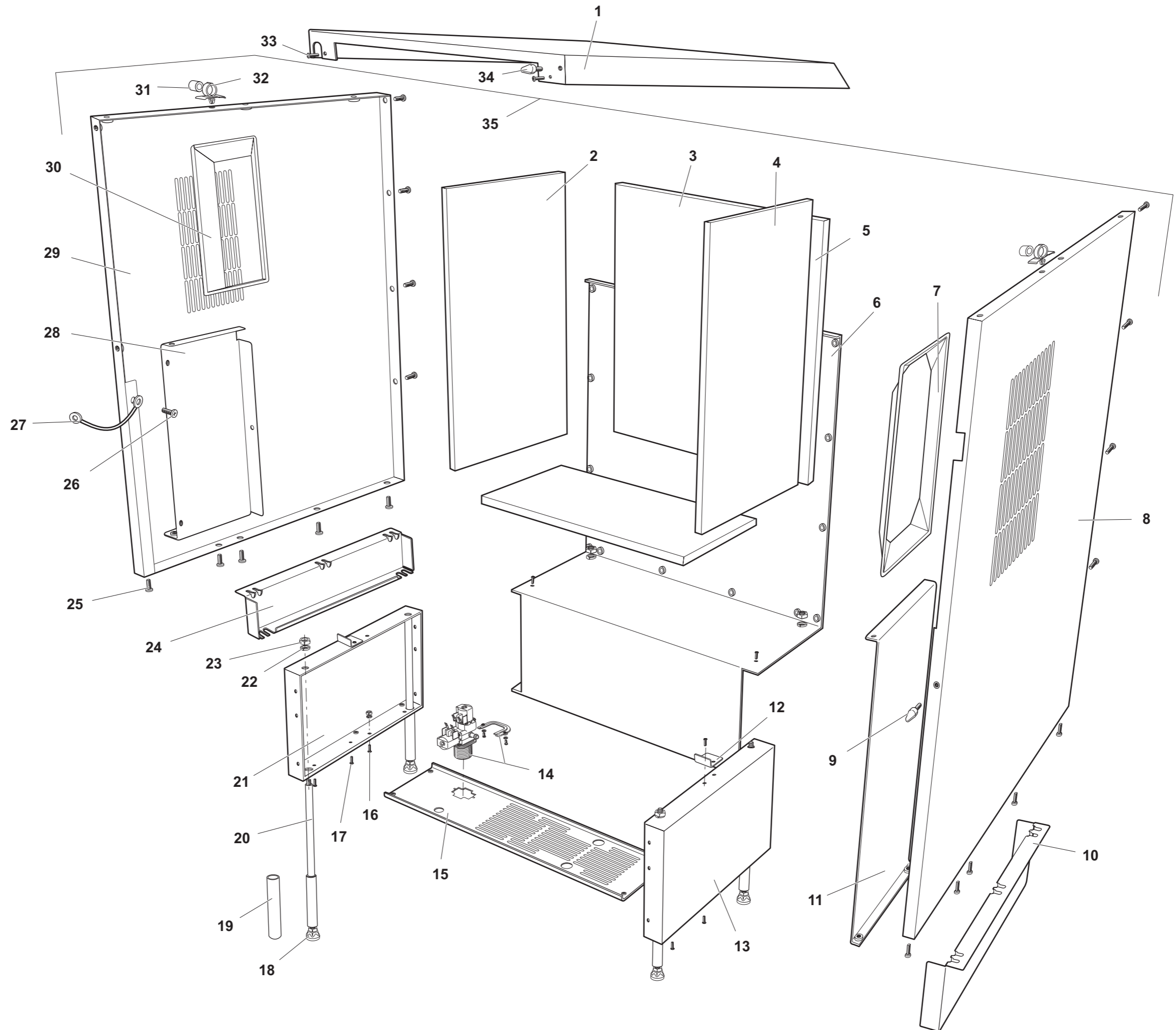


Powerplex D4di - Contents

A	Frame Assembly	4-5
B	Tank Assembly	6-7
	Ba Float Tank Lid Assembly	8-9
	Bb Thermostat Tank Lid Assembly	10-11
C	Main Looms	12-13
D	Power Supply Unit Assembly	14-15
E	Cup Stand and Drip Tray Assembly	16-17
F	Cooling System Assembly	18-19
	Fa Pump Mounting Plate Assembly	20-21
	Fb Pump Sensor Common Block	22-23
	Fc Cooling Fans and Housing Assembly	24-25
	Fd Heat Pump Assembly	26-27
	Fe Mixing Chamber Assembly	28-29
	Ff Door Stay Assembly	30-31
G	Door Assembly	32-33
H	Control Panel Assembly	34-35

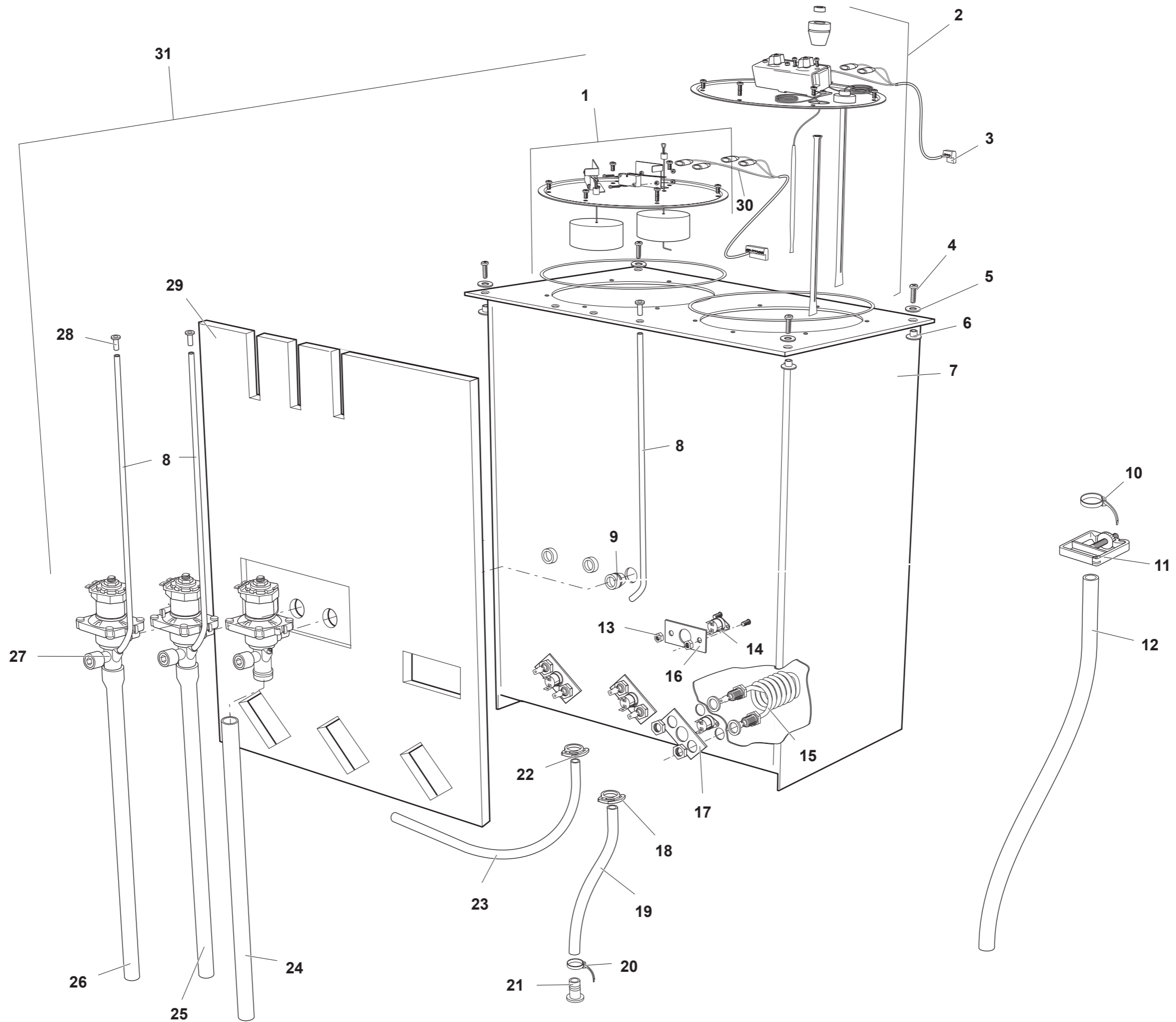
Powerplex D4di - Frame Assembly

Ref	Description	Part No.
1.	Top Panel (Stainless steel)	05-5185
	Top Panel (Black painted)	05-5075
2.	Side panel insulation	05-5152
3.	Rear panel insulation	05-5150
4.	Side panel insulation	05-5152
5.	Tank base insulation	05-5151
6.	Membrane panel	05-5037
7.	Duct - Twin fan inlet	05-5198
8.	Side panel – R/H (Stainless steel)	05-5183
	Side panel – R/H (Black painted)	05-5066
9.	Front panel location pin	05-3623
10.	Side panel – Extension (Stainless steel)	05-5285
	Side panel – Extension (Black painted)	05-5153
11.	Inner side panel R/H	05-5038
12.	Water tank stop	05-5063
13.	Side frame	05-5036
14.	Valve – Inlet twin coil 24vdc c/w NRV	10039-120
15.	Water inlet valve plate	05-5062
16.	M4 x 12 Panhead screw	10004-034
17.	M4 x 6 Panhead screw	10004-031
18.	Foot – Conical swivel	10047-050
19.	Support leg cover	05-6075-1
20.	Support leg	05-5067
21.	Side frame	05-5036
22.	M8 Spring washer	10017-43
23.	M8 Nut	10010-007
24.	Side panel – Extension (Stainless steel)	05-5285
	Side panel – Extension (Black painted)	05-5153
25.	M4 x 6 Panhead screw	10004-031
26.	M4 x 12 Panhead screw	10004-034
27.	Door earth wire	04-5245
28.	Inner side panel L/H	05-5039
29.	Side panel – L/H (Stainless steel)	05-5179
	Side panel – L/H (Black painted)	05-5065
30.	Duct – Twin fan outlet	05-5199
31.	Rubber pivot bush	05-6078-7
32.	Split routing clip (PCB Plate pivot)	10016-450
33.	M4 x 6mm Panhead screw	10004-031
34.	Front panel location pin	05-3623
35.	Frame assembly, excl. Top panel (Stainless steel)	04-6061
	Frame assembly, excl. Top panel (Black painted)	04-5317



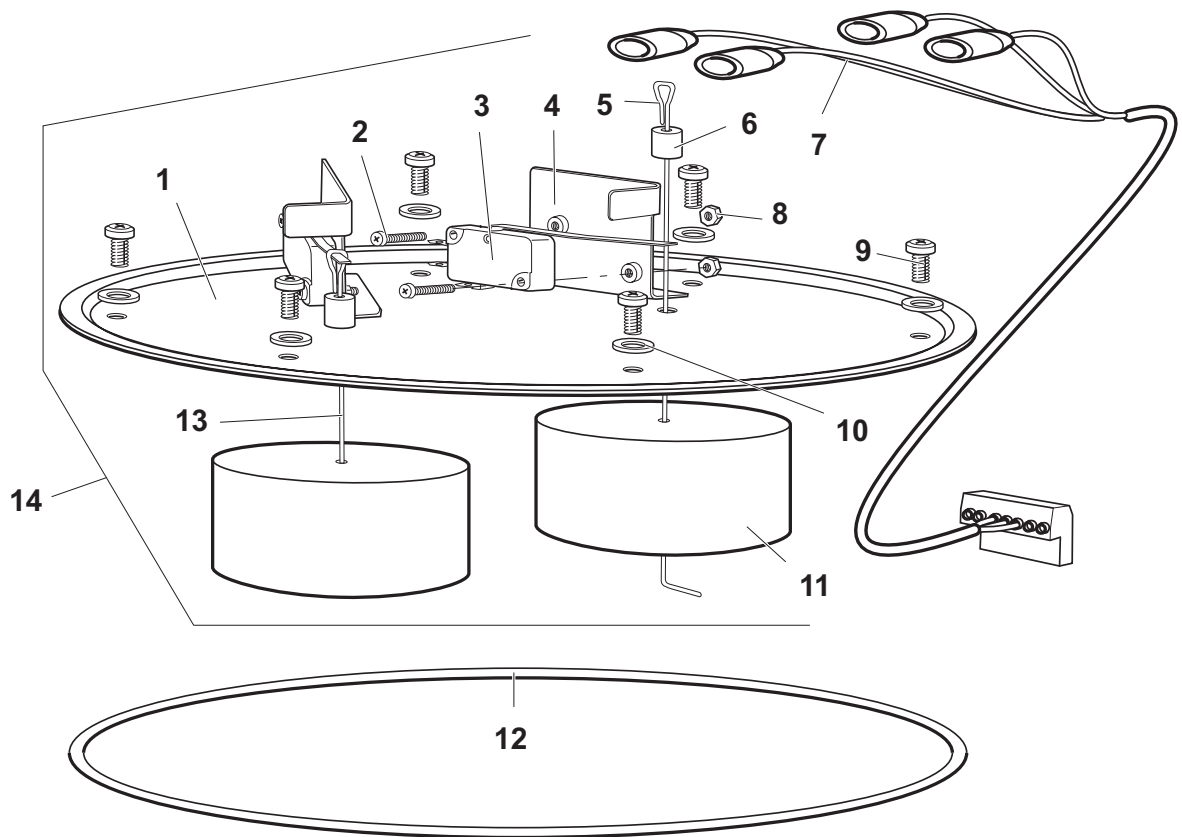
Powerplex D4di - Tank Assembly

Ref	Description	Part No.
1.	Float lid assembly	04-6063
2.	Thermostat lid assembly	04-6065
3.	Thermostat loom	04-6066
4.	M4 x 12mm Panhead screw	10004-034
5.	M6 Nylon washer	10016-110
6.	Nylon insulator	10016-010
7.	Powerplex tank	05-5178
8.	Valve vent tube	05-6076-1
9.	12mm Valve seal	10039-510
10.	Cable tie 140mm	10021-03
11.	Drain Hose clamp	10039-900
12.	Drain hose	05-6081-1
13.	M4 Nut	10010-004
14.	95°C Preset Thermostat	10027-03
15.	Heating element	10027-50
16.	Temperature sensor plate	05-4507
17.	Over temperature sensor plate	02-2508
18.	Hose clamp 19mm	10016-315
19.	Overflow tube	05-6074-1
20.	Cable tie 140mm	10021-03
21.	1" x ½" Nylon shoulder washer	10016-130
22.	Hose clamp 17mm	10016-310
23.	Inlet valve to tank hose	05-6077-1
24.	Outlet valve to mix chamber hose	05-6072-1
25.	Outlet valve to mix chamber hose	05-6072-1
26.	Outlet valve to mix chamber hose	05-6072-1
27.	Outlet valve - 12mm	10039-010
28.	Valve vent tube insert	10016-210
29.	Tank front insulation	05-5180
30.	Float Loom	04-6064
31.	Complete Tank assembly c/w 3 outlet valves	03-5272



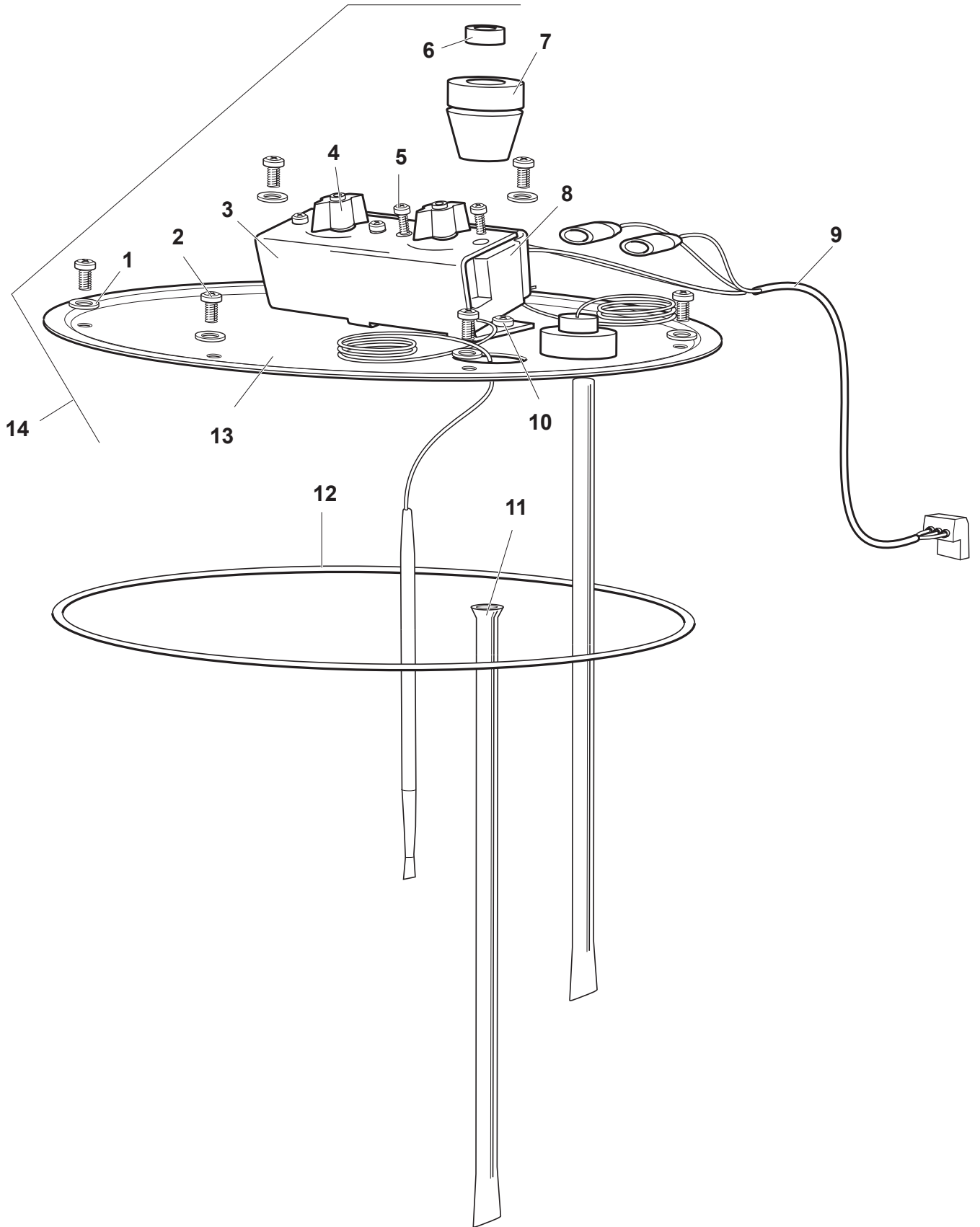
Powerplex D4di - Float Tank Lid Assembly

Ref	Description	Part No.
1.	Tank lid (Floats)	05-5148
2.	M3 x 20mm Panhead	10004-026
3.	Float microswitch	10037-320
4.	Microswitch bracket	05-4616
5.	Float rod (long)	05-5092-2
6.	Steam collar	05-4619
7.	Float loom	04-6064
8.	M3 Nut	10010-003
9.	M4 x 8mm Panhead screw	10004-032
10.	Washer - M4 fibre	10017-28
11.	Float	05-4393
12.	'O' ring (Tank lid)	10026-10
13.	Float rod (short)	05-5092-1
14.	Float Lid Assembly excl. Float loom (7) and 'O' ring (12)	04-6063



Powerplex D4di - Thermostat Tank Lid Assembly

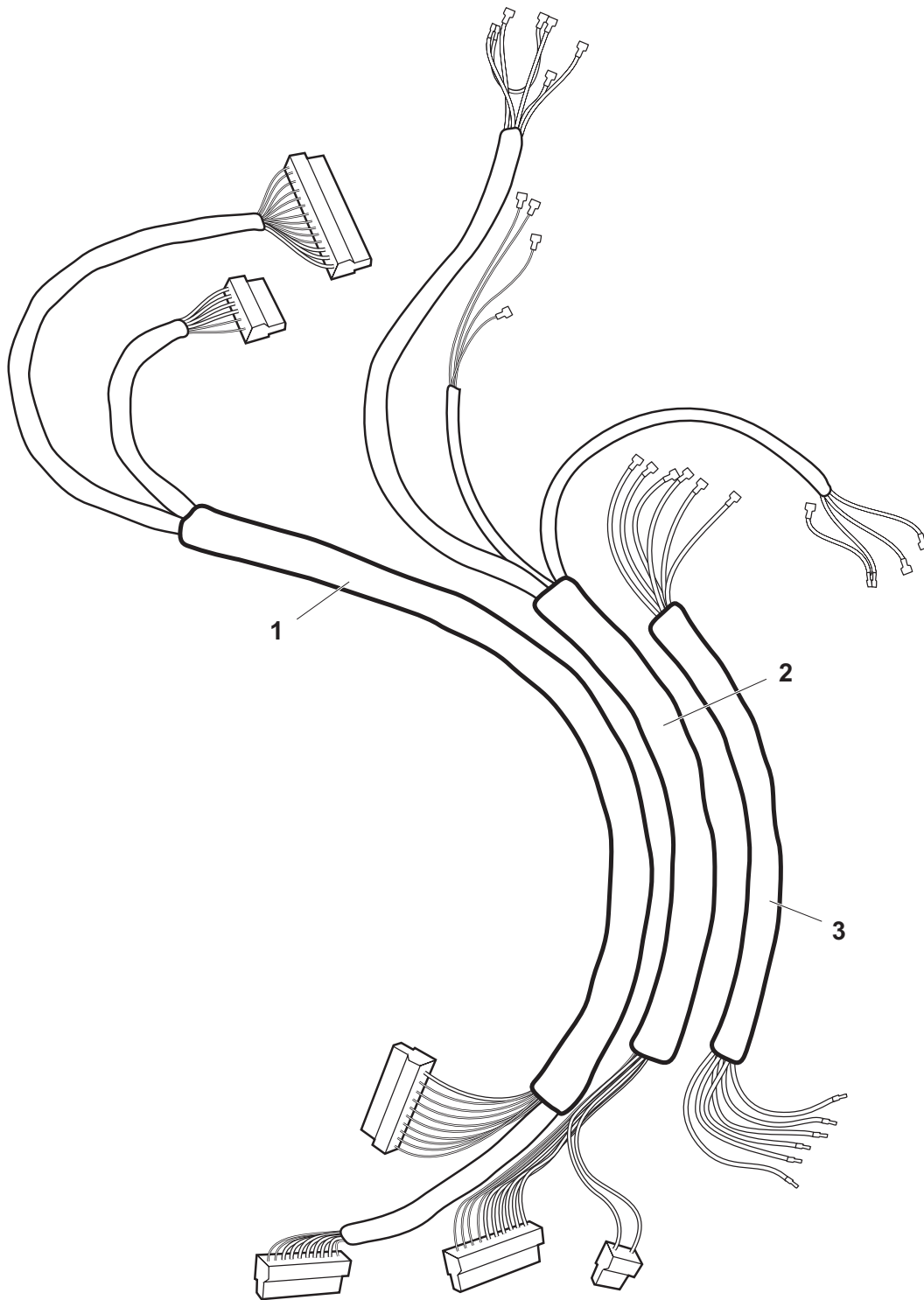
Ref	Description	Part No.
1.	Washer - M4 fibre	10017-28
2.	M4 x 10mm Panhead screw	10004-033
3.	Thermostat bracket	05-5253
4.	Thermostat knob	10047-300
5.	Screw - M4 x 6mm Pozi Pan S/Stl	10001-031
6.	Black rubber seal	05-6078-7
7.	Valve seal 8mm	10039-500
8.	Boiler Thermostat	10027-04
9.	Thermostat loom	04-6066
10.	Rivet	10046-010
11.	Thermostat tube	05-6112
12.	'O' Ring (Tank lid)	10026-10
13.	Tank lid (Thermostat)	05-5149
14.	Thermostat Lid Assy. excl. loom (9) and 'O' ring (12)	04-6065



Bb Thermostat Tank Lid Assembly

Powerplex D4di - Main Looms

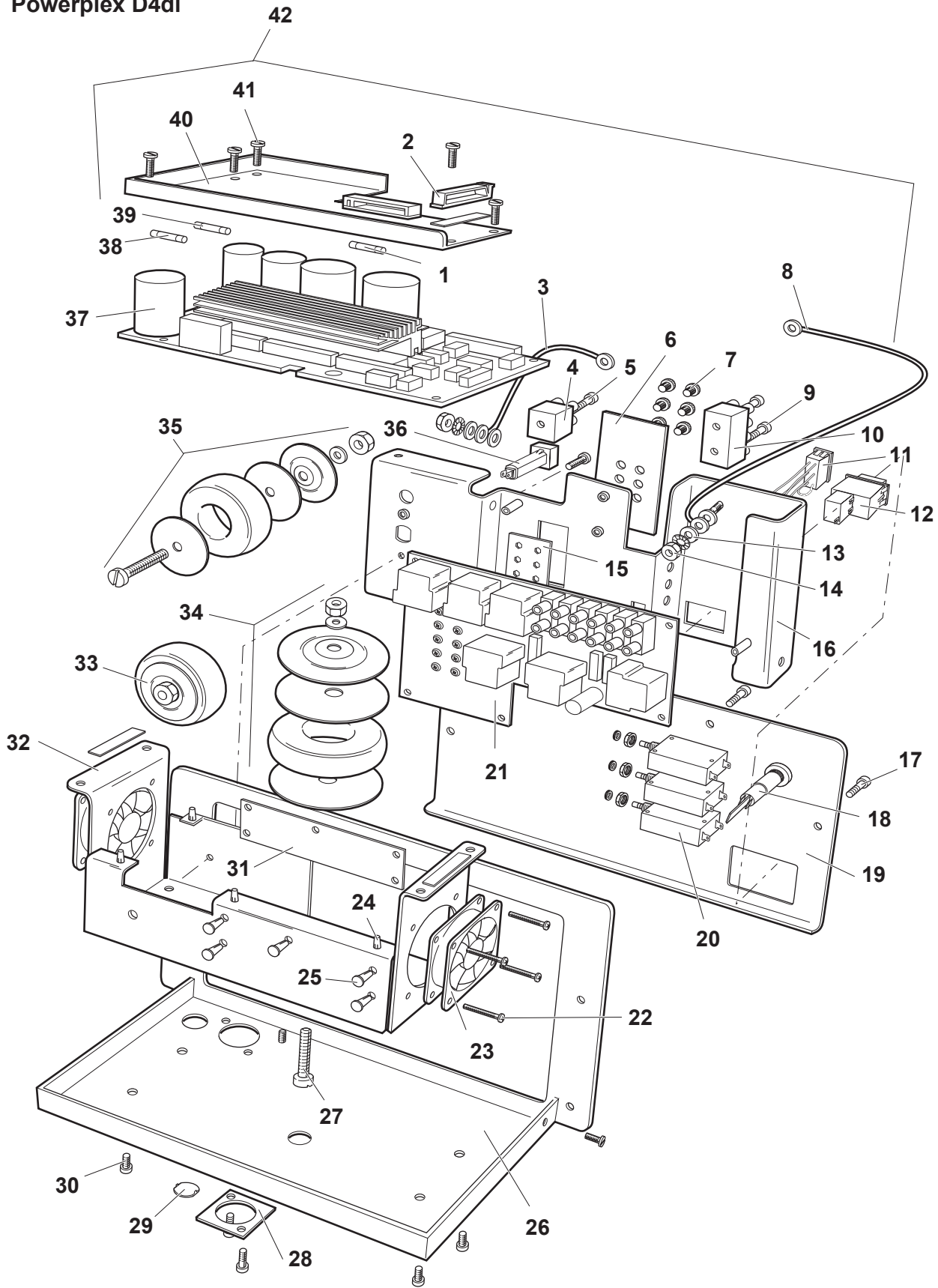
Ref	Description	Part No.
1.	PSU to monitor & product control PCB's	04-5240
2.	PSU to valves & thermostats	04-5241
3.	PSU to elements	04-5367



Powerplex D4di - Power Supply Unit Assembly

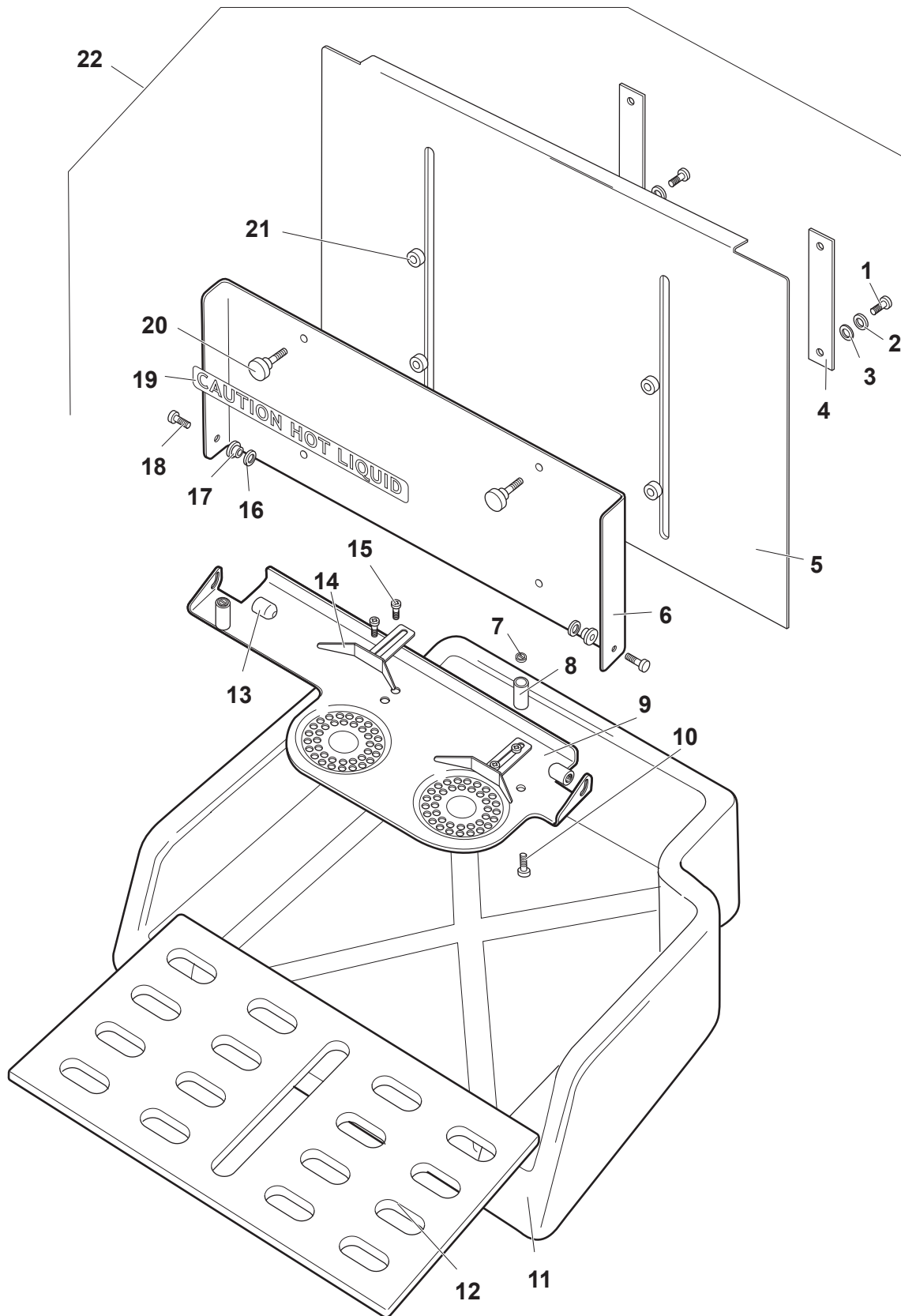
Ref	Description	Part No.
1.	Fuse - Slow blow 1.25" 10A	10040-431
2.	Cable clamp	10016-451
3.	PSU Earth wire (short)	04-5246
4.	2 way Terminal block	05-5233
5.	M3 x 16mm Panhead screw	10004-025
6.	Coding PCB	04-5219
7.	M4 x 8mm Polytop screw	10024-011
8.	PSU Earth wire (long)	04-5244
9.	M3 x 20mm Panhead screw	10004-026
10.	4 way Terminal block 40A	05-5234
11.	Mains voltage selector switch & loom	04-5254
12.	Main power switch	10040-110
13.	M4 Flat washer	10017-05
14.	M4 Nut	10010-004
15.	Terminal locking plate	05-5177
16.	Switch plate	05-5205
17.	M4 x 10mm Panhead screw	10004-033
18.	Neon lamp	10033-341
19.	PSU Cover panel	04-5259
20.	Element selector circuit breaker	10040-210
21.	AC Connection PCB assembly	04-5190
22.	M4 x 30mm Panhead screw	10004-038
23.	Cooling fan	10028-20
24.	4.8mm PCB Supports	10016-001
25.	9.5mm PCB Supports	10016-002
26.	PSU Housing	05-5226
27.	Transformer bolt (supplied with transformer)	
28.	Gland plate 20mm	05-5216
	Gland plate 25mm	05-5217
29.	Blanking plate 23mm	10029-001
30.	M4 x 6mm Panhead screw	10004-440
31.	Toroid PCB & Loom (without transformers)	04-5210
32.	Toriod transformer housing	05-5204
33.	Toroidal transformer 25v	10019-001
34.	Toroidal transformer 18v	10019-003
35.	Toroidal transformer 12v	10019-002
36.	Circuit breaker 5A	10040-250
37.	Relay & regulator PCB assembly	04-5220
38.	Fuse - Slow blow 1.25" 4A	10040-410
39.	Fuse - Slow blow 1.25" 5A	10040-420
40.	Cable tray	05-5206
41.	M4 x 6mm Panhead screw	10004-031
42.	Complete PSU Assembly	02-5257

Powerplex D4di



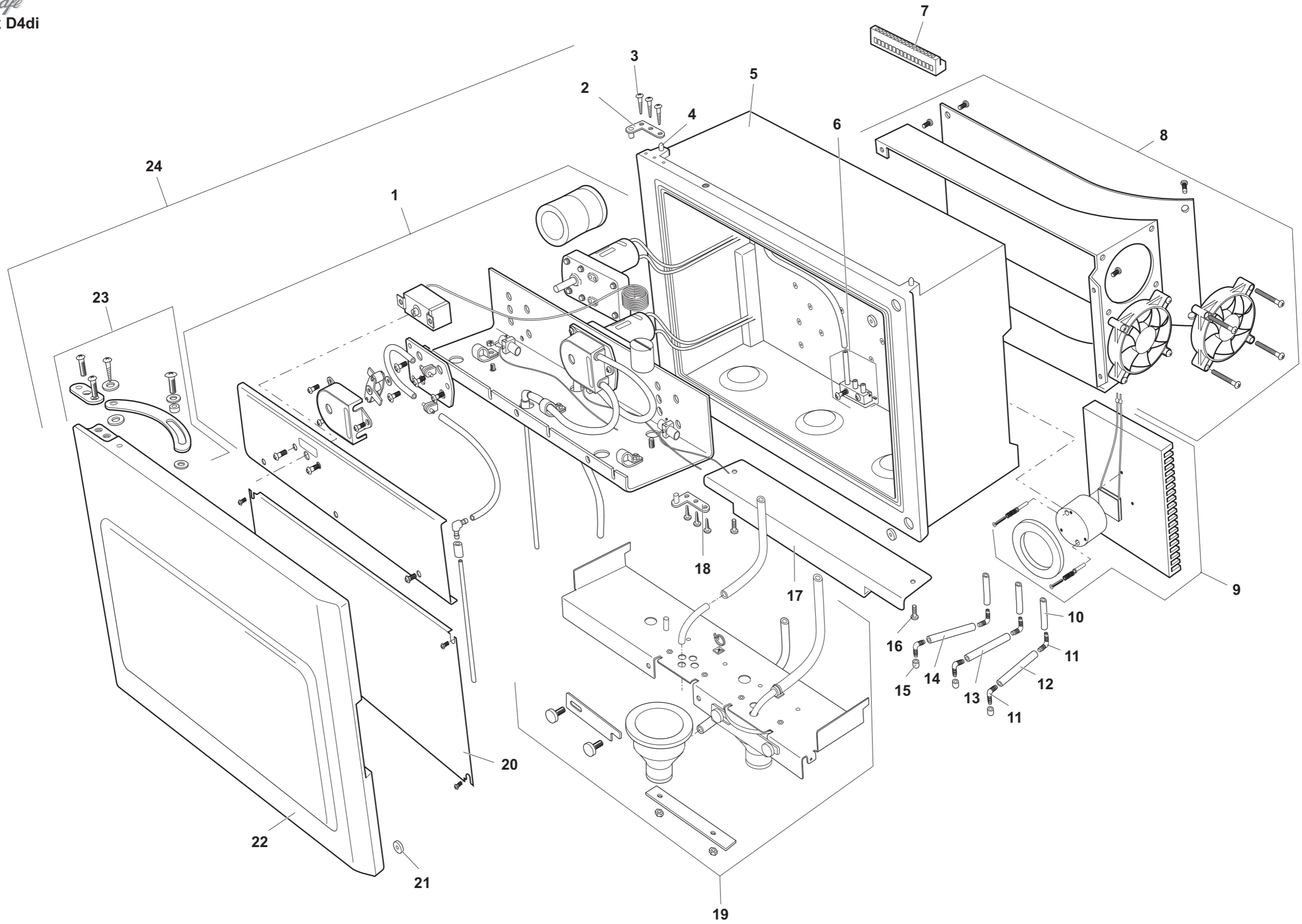
Powerplex D4di - Cup Stand and Drip Tray Assembly

Ref	Description	Part No.
1.	Screw - M3 x 12mm Panhead	10004-024
2.	Washer - Nylon M3	10016-107
3.	Washer - Brass M3	10017-15
4.	Cup stand locking plate	05-6043
5.	Lower front panel	05-6048
6.	Cup stand pivot plate	05-6113
7.	Magnet - Cylindrical catch	10047-101
8.	Magnet housing	05-6114
9.	Cup stand (2 cup)	05-5402
10.	Screw - M4 x 6mm Panhead	10004-031
11.	Drip tray	05-5076
12.	Drip Tray insert	05-5077
13.	Cup stand nut	05-6089
14.	Cup locator	05-5268
15.	Screw - M4 x 6mm Panhead	10004-031
16.	Washer - Nylon 19mm diameter	10016-123
17.	Pivot pin	05-6044
18.	Screw - M4 x 20mm Panhead	10004-036
19.	Caution Label	05-12698
20.	Knob - Knurled M4 x 20mm	10024-010
21.	Spacer - Nylon 9.5mm dia x 4.7mm	10016-152
22.	Cup stand assy complete with lower front panel (5) but excluding drip tray (11) and insert (12)	04-6046



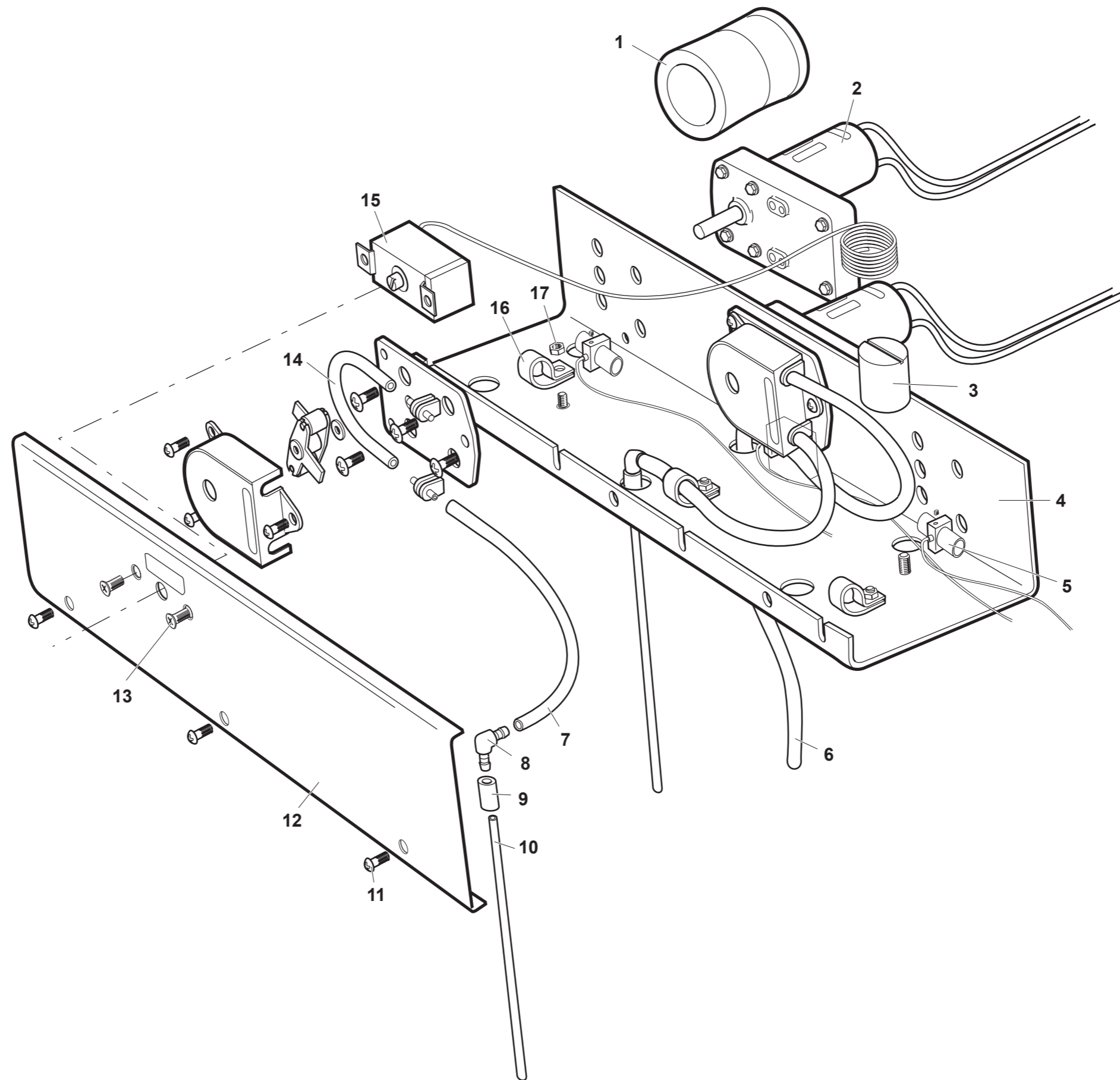
Powerplex D4di - Cooling System Assembly

Ref	Description	Part No.
1.	Pump mounting plate assembly - See dwg Fa	
2.	Upper door hinge assembly	04-5335
3.	Self drilling screw	10007-81
4.	Cooler unit location pin	05-5009
5.	Cooler unit body (includes 2 & 3 above)	04-5237
6.	Sensor common block assembly - See dwg Fb	
7.	15 way connector for cooler unit wires	10044-151
8.	Cooling fans & housing assembly - See dwg Fc	
9.	Heat pump assembly - See dwg Fd	
10.	Silicone tube 4.8mm x 3.2mm x 30mm	05-6078-25
11.	Concentrate Elbow	05-6051
12.	Silicone tube 4.8mm x 3.2mm x 135mm	05-6078-9
13.	Silicone tube 4.8mm x 3.2mm x 97mm	05-6078-19
14.	Silicone tube 4.8mm x 3.2mm x 70mm	05-6078-17
15.	Silicone tube 4.8mm x 3.2mm x 5mm	05-6078-10
16.	Screw M4 x 8mm Pozi Pan s/stl.	10004-032
17.	Concentrate plate	05-5331
18.	Lower door hinge assembly	04-5336
19.	Nozzle support plate assembly	04-5342
20.	Back plate	05-5015
21.	Door magnet	10047-100
22.	Cooler unit door	05-5006
23.	Door stay assembly - See dwg Ff	
24.	Cooling unit assembly 2 pumps	03-5236
	Cooling unit assembly 3 pumps	03-5312



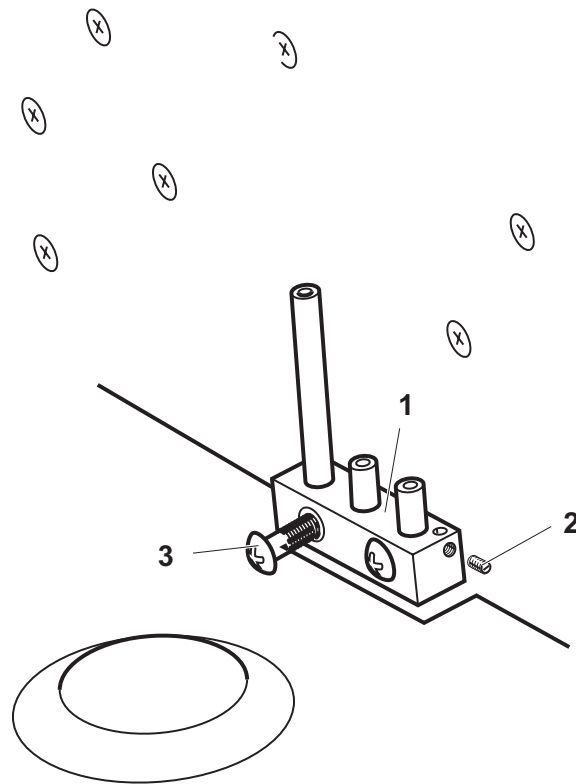
Powerplex D4di - Pump Mounting Plate Assembly

Ref	Description	Part No.
1.	Motor insulation sleeve	05-5306
2.	Peristaltic Pump 325RPM	10028-05
3.	Thermostat cone	05-5125
4.	Pump mounting plate	05-5012
5.	Upper sensor block	05-5021
6.	Tube - Sensor block to common block	05-6078-2
7.	Tube - Left hand pump to suction tube elbow	05-6078-3
	Tube - Right hand pump to suction tube elbow	05-6078-4
8.	Suction tube elbow	05-5135
9.	Tube - Suction tube retainer	05-6078-2
10.	Suction tube	05-5123
11.	M4 x 6mm Panhead screw	10004-031
12.	Pump cover panel	05-5013
13.	M4 x 6mm Panhead screw	10004-031
14.	Peristaltic tube assembly 4.8mm bore	10028-11
15.	Thermostat - Cooler unit	10027-01
16.	'P' Clamp	10016-400
17.	M5 Nut	10010-005



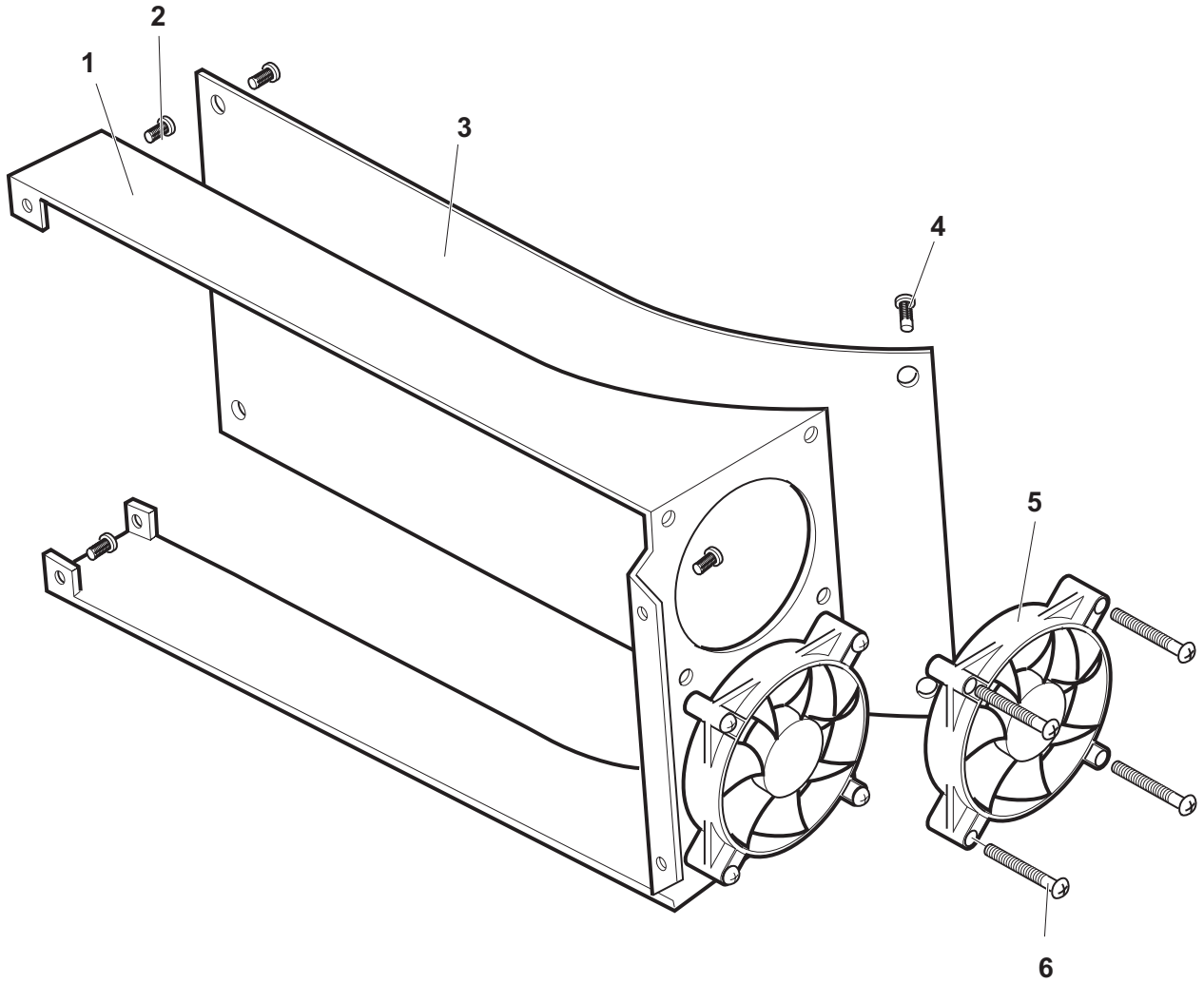
Powerplex D4di - Pump Sensor Common Block

Ref	Description	Part No.
1.	Product low sensor common block	05-5020
2.	Grub screw - Socket M3 x 6mm	10005-306
3.	Screw - M4 x 25mm Panhead	10004-037



Powerplex D4di - Cooling Fans and Housing Assembly

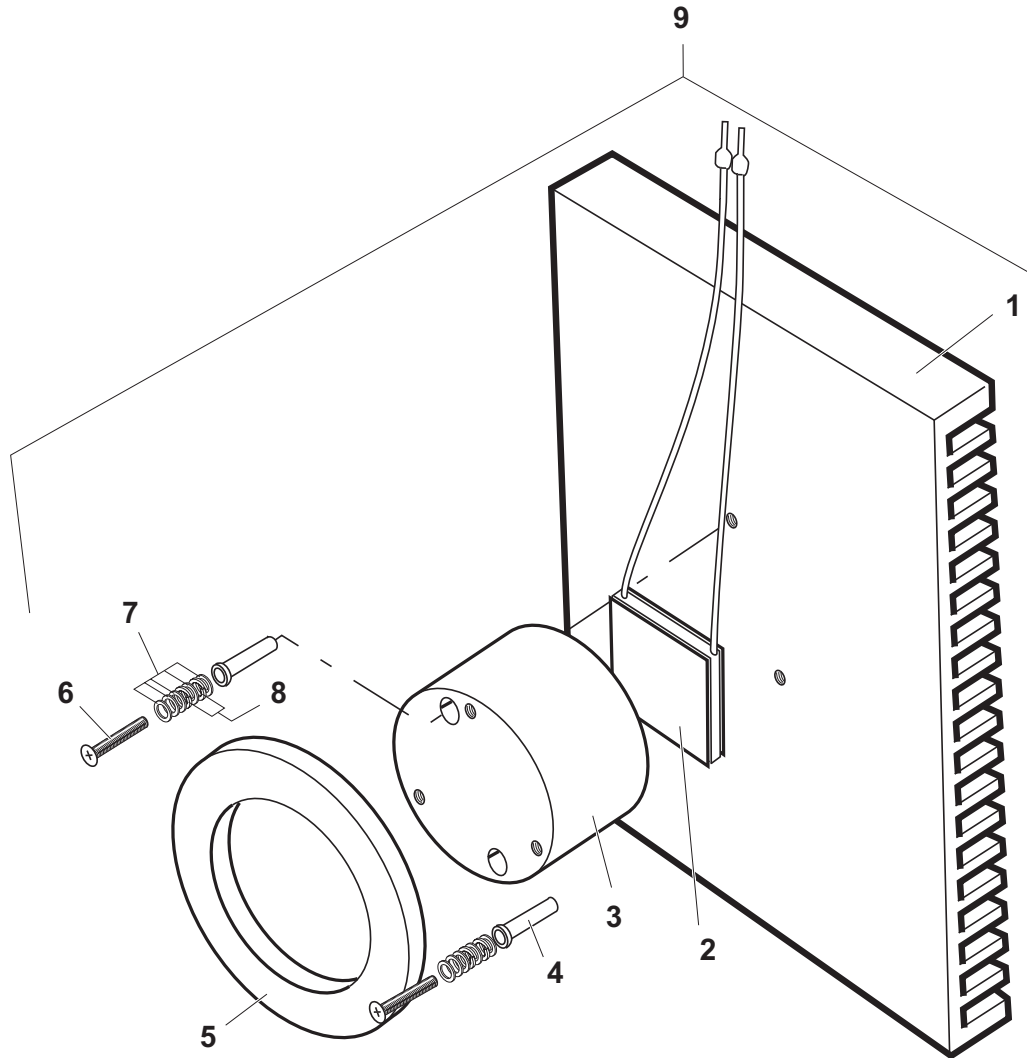
Ref	Description	Part No.
1.	Powersink Dual Fan Housing	05-5197
2.	Screw - M4 x 8mm Panhead	10004-032
3.	Powersink Dual Fan Housing cover	05-5202
4.	Screw - M4 x 10mm Panhead	10004-033
5.	Fan - 92mm Axial	10028-20
6.	Screw - M3 x 30mm Panhead	10004-028



Powerplex D4di - Heat Pump Assembly

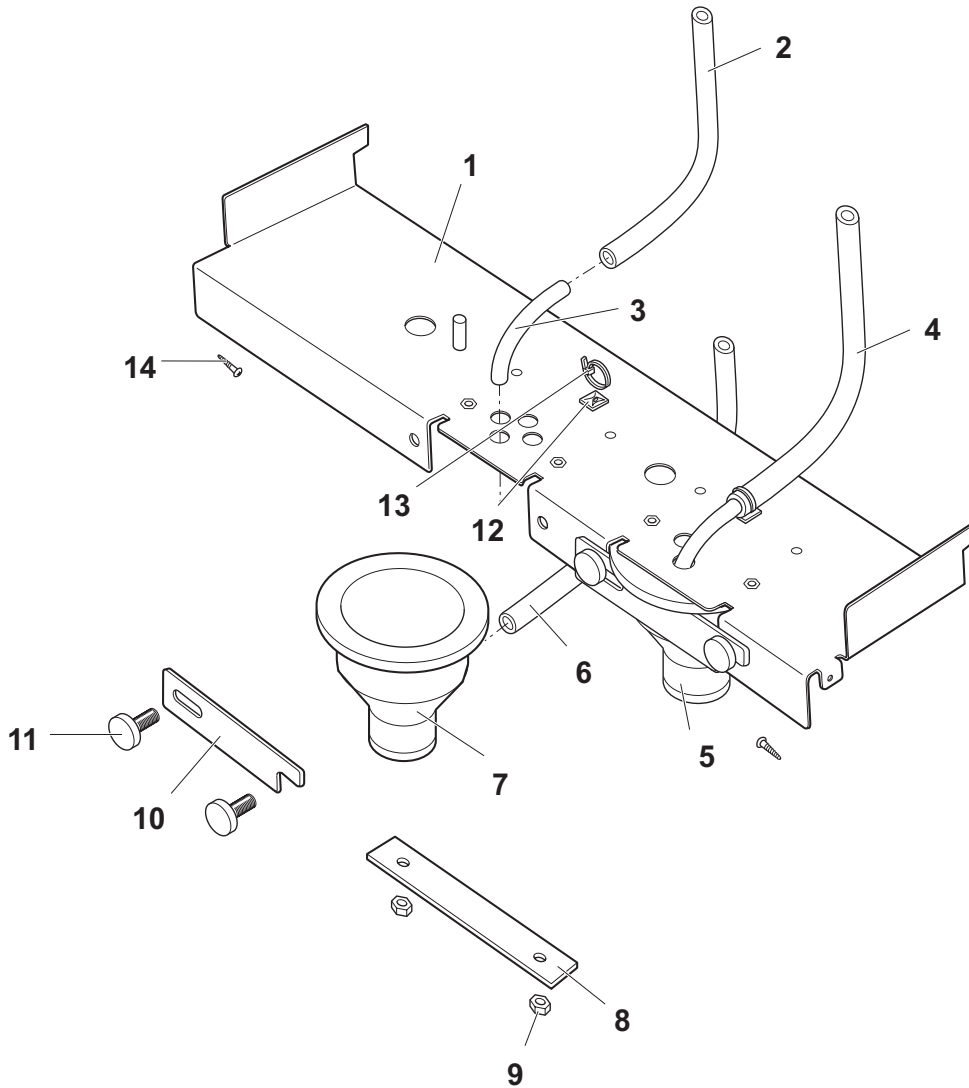
Ref	Description	Part No.
1.	Powersink EM120	05-5200
2.	Peltier heat pump element	10032-500
3.	Peltier cold sink	05-5201
4.	Screw insulator	05-5364
5.	Peltier sealing ring	05-5203
6.	Screw – M3 x 35 mm Panhead	10002-003
7.	Flat washers	10017-15
8.	Washer - M4 Spring	10017-39
9.	Heat pump assembly	04-5231

AROMAT
Cafe
Powerplex D4di



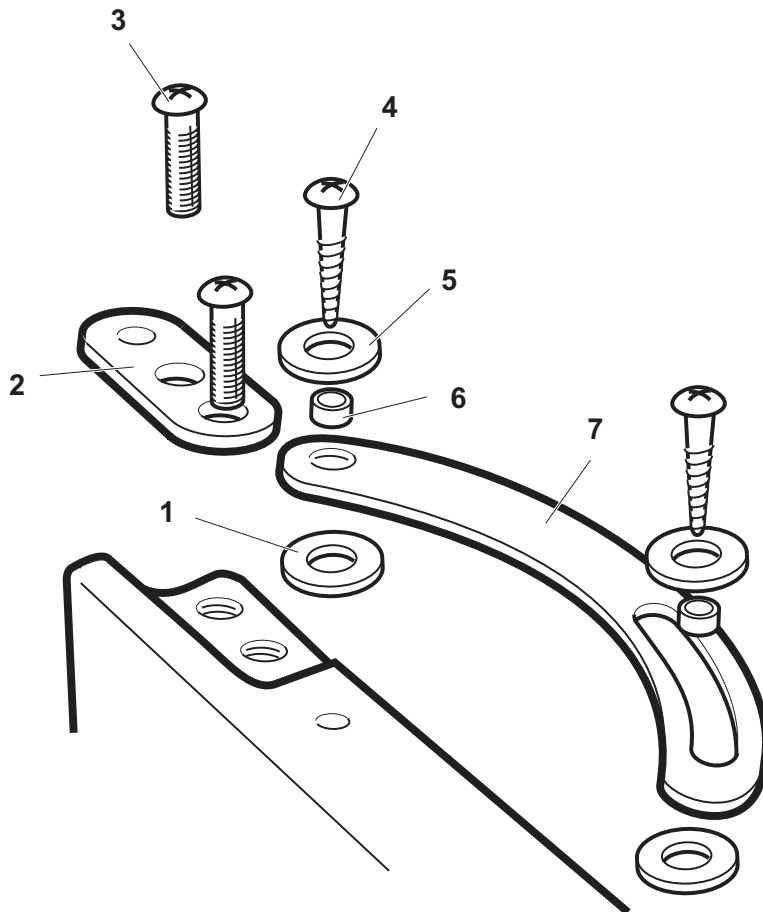
Powerplex D4di - Mixing Chamber Assembly

Ref	Description	Part No.
1.	Nozzle support panel	05-5403
2.	Silicone tube 11.5mm x 3mm x 255mm	05-6072-12
3.	Swept elbow - St/st	05-12716
4.	Hot water outlet tube	05-6078-9
5.	Nozzle (hot water)	05-6037
6.	Silicone tube 11.5mm x 3mm x 275mm	05-6072-1
7.	Mixing chamber nozzle	05-5326
8.	Outlet nozzle support plate	05-5325
9.	Nut – M4 S/S	10010-004
10.	Nozzle clamp plate	05-6050
11.	Thumbscrew M5	04-6109
12.	Cable tie base	10021-034
13.	Cable tie	10021-02
14.	Screw	10004-023



Powerplex D4di - Door Stay Assembly

Ref	Description	Part No.
1.	Washer - Nylon 12.7mm	10016-122
2.	Hinge plate	05-5014
3.	Screw - M4 x 10mm Panhead	10004-033
4.	Screw - Self tapping 3/4" x No.6 Panhead	10007-6034
5.	Washer - Nylon 11mm	10016-120
6.	Spacer - Nylon 8mm	10016-150
7.	Door stay	05-5079

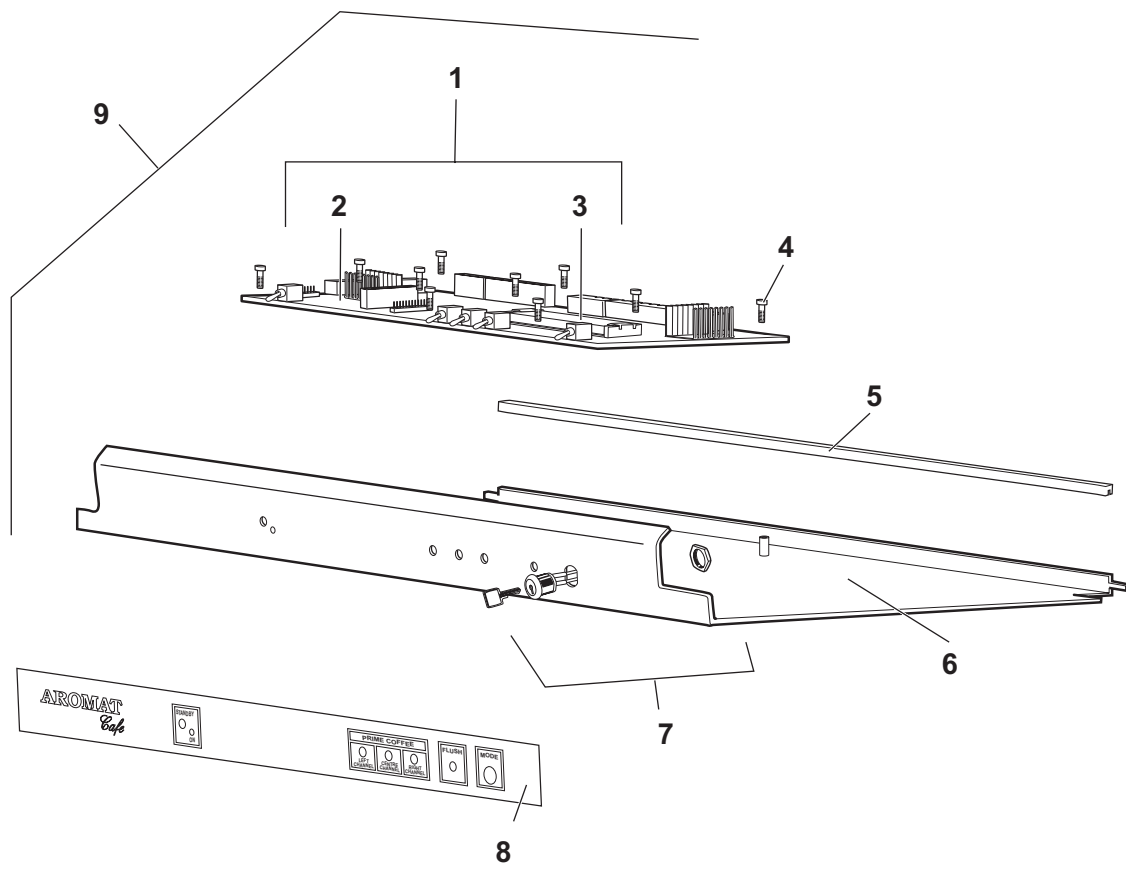


Powerplex D4di - Door Assembly

Ref	Description	Part No.
1.	Door plate	05-5096
2.	Washer - M4 Flat	10017-05
3.	Nut - M4	10010-004
4.	Display and translation PCB plate	05-5414
5.	Display	04-12494
6.	Spacer	10016-584
7.	Connector supplied as part of item 4	n/a
8.	PCB mounting pillar	10016-108
9.	Translation PCB	04-5413
10.	Connector supplied as part of item 9	n/a
11.	Connector supplied as part of item 9	n/a
12.	Connector supplied as part of item 9	n/a
13.	Screw - M4 x 20mm Panhead	10004-036
14.	Door hinge block	05-4513
15.	Washer - M3 Flat brass	10017-15
16.	Side panel hinge block	05-4512
17.	Split cotter pin 12mm x 1.6mm	10046-500
18.	Hinge rod	05-5069
19.	Screw - M3 x 12mm Pozi	10004-024
20.	Display PCB assembly cover	04-6097
21.	Rubber 'U' channel	05-6086-1
22.	Tape - 19mm insulation	10023-02
23.	Spare keys	10047-202
24.	Silicone lock washer	05-6073-4
25.	Lock assembly with keys	10047-200
26.	Door panel (stainless steel)	05-5184
	Door panel (painted black)	05-5073
27.	Upper door panel label	05-5422
28.	Lower door panel Label	05-5406
	MH lower door panel label	05-5405
29.	Selection switch membrane	05-5420
30.	Complete digital update kit D4	30005
31.	Product ID labels	10051-029

Powerplex D4di - Control Panel Assembly

Ref	Description	Part No.
1.	Control PCB complete with Processor	03-5430
2.	Control PCB without Processor	04-5430
3.	Processor with integral software	10030-941
4.	Screw – M4 x 6mm Panhead Pozidrive	10004-031
5.	Rubber 'U' channel, wiring protector	05-6086-2
6.	PCB mounting plate	05-6137
7.	Programming mode keyswitch	04-5426
8.	Set-up panel label	05-6139
9.	D4di control panel complete assembly	04-5427



H Control Panel Assembly



Dass Manufacturing Ltd.

SBC House, Restmor Way, Wallington, Surrey, SM6 7AH, England.

Tel: +44 (0)181 669 8012 • Fax: +44 (0)181 669 9529

e-mail: support@aromat-uk.com • web site: www.aromat-uk.com