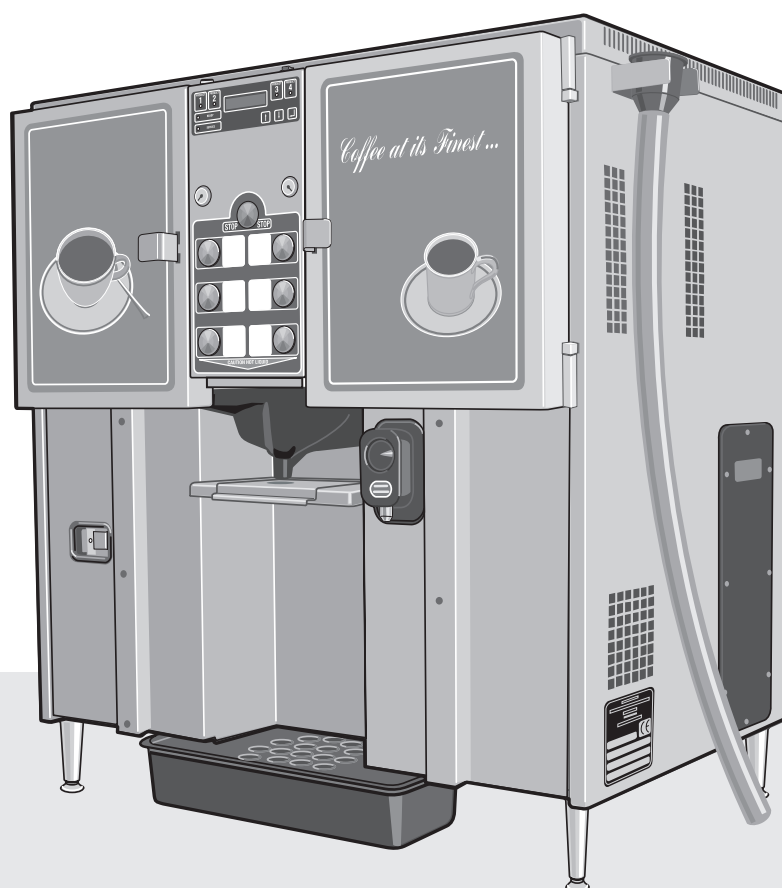
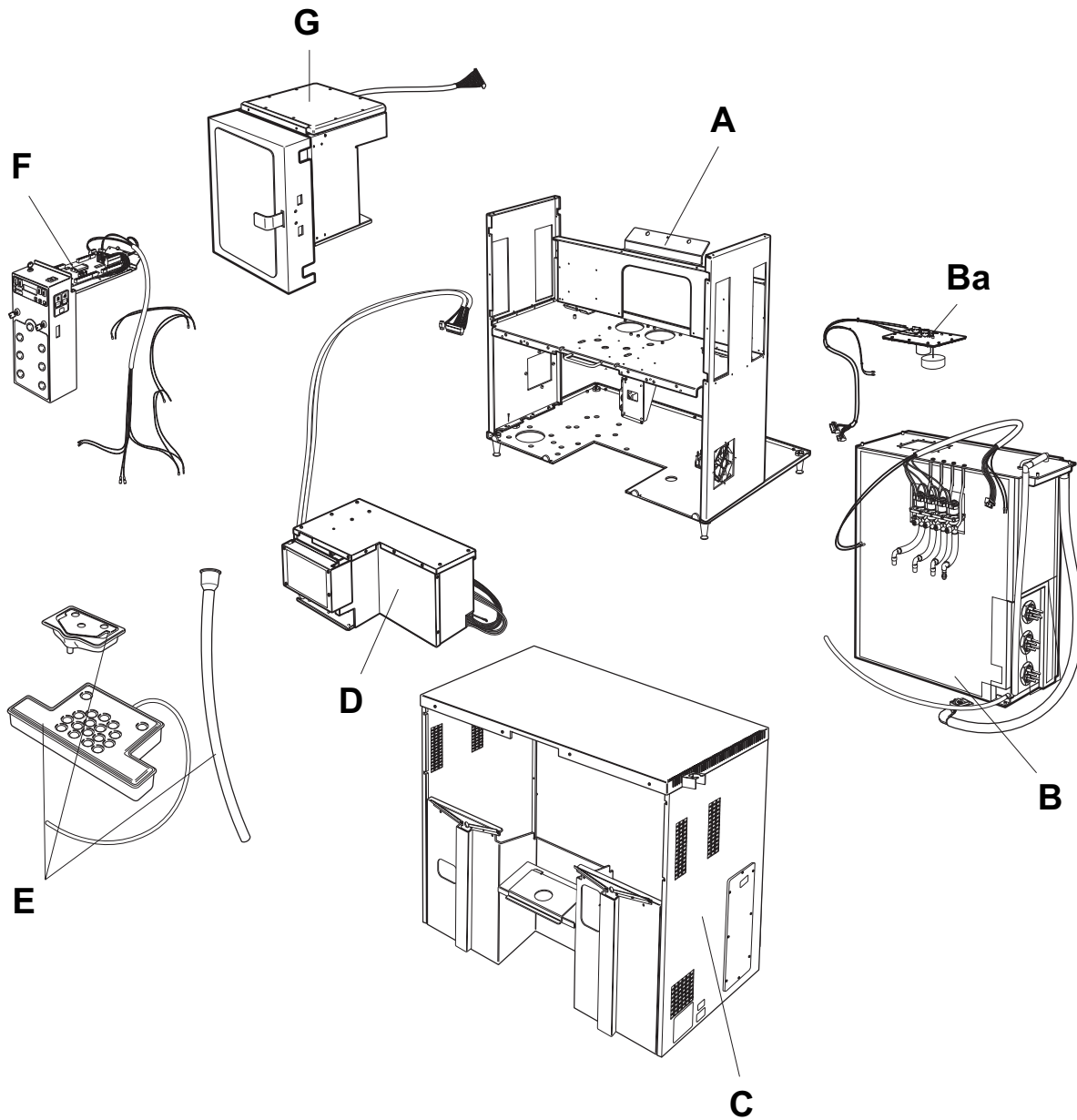


D420 v 1.0
High Volume Output Coffee Dispenser



Illustrated Parts Catalogue



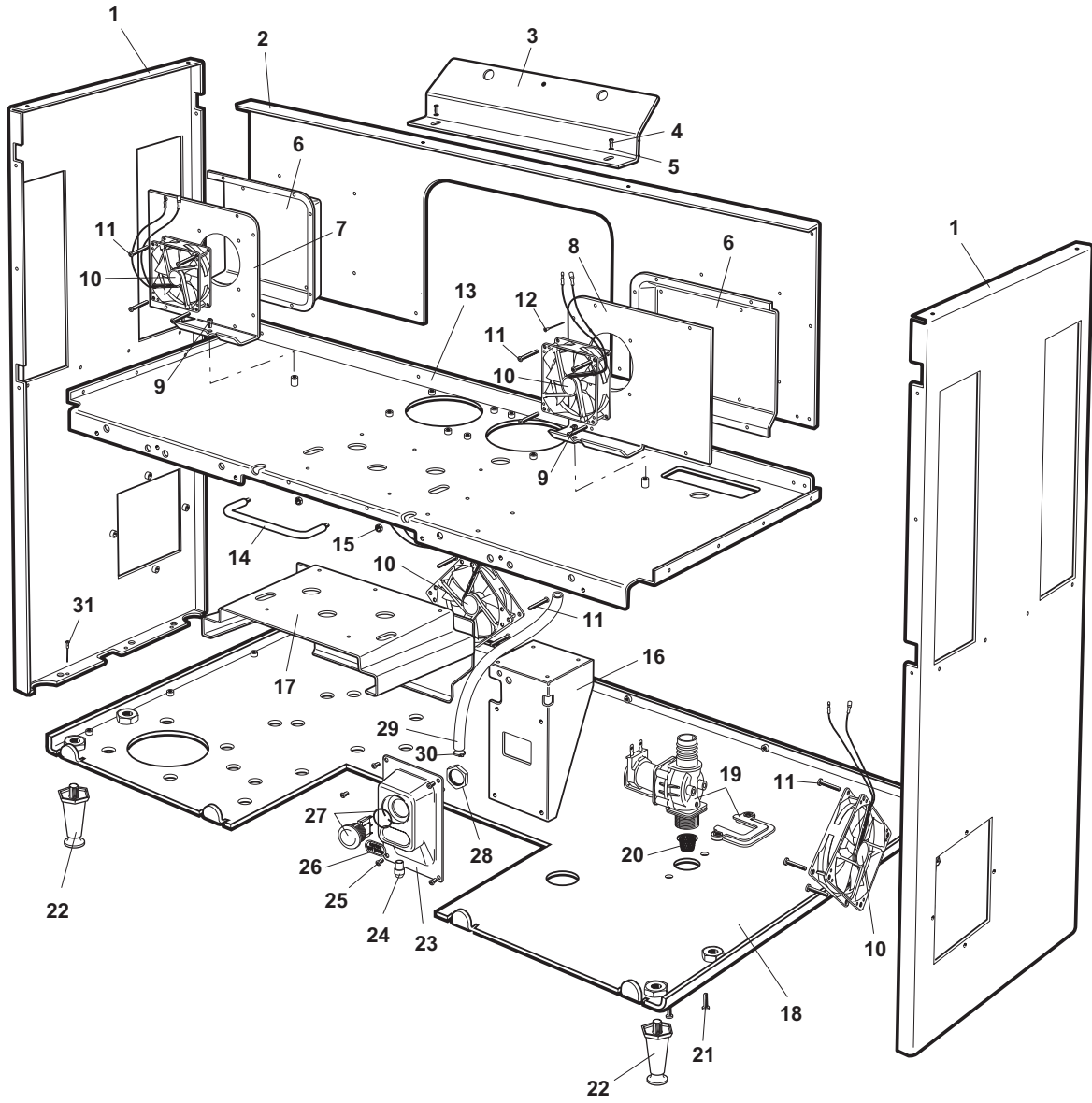
- A** Chassis Assembly
- B** Tank Assembly
- C** Casing Panels
- D** Power Supply Unit Assembly
- E** Nozzle Assy, Drip Tray Assy and Delivery Hose
- F** Control Unit Assembly
- G** Cooling Unit Assembly (LH)

D420 v 1.0 Parts Catalogue - Contents

A Chassis Assembly <i>(includes inlet valve, hot water button assembly and cooling fans)</i>	4-5
B Tank Assembly	6-7
Ba Tank Lid Assembly	8-9
C Casing Panels	10-11
D Power Supply Unit	12-13
E Nozzle Assy, Drip Tray Assy and Delivery Hose	14-15
F Control Unit Assembly	16-17
G Cooling Unit Assembly (LH)	18-19
Ga Heat Pump Assembly	20-21
Gb Concentrate Delivery Assembly	22-23
Gc Concentrate Pump Assembly	24-25
Gd Cooler Unit Door Assembly	26-27

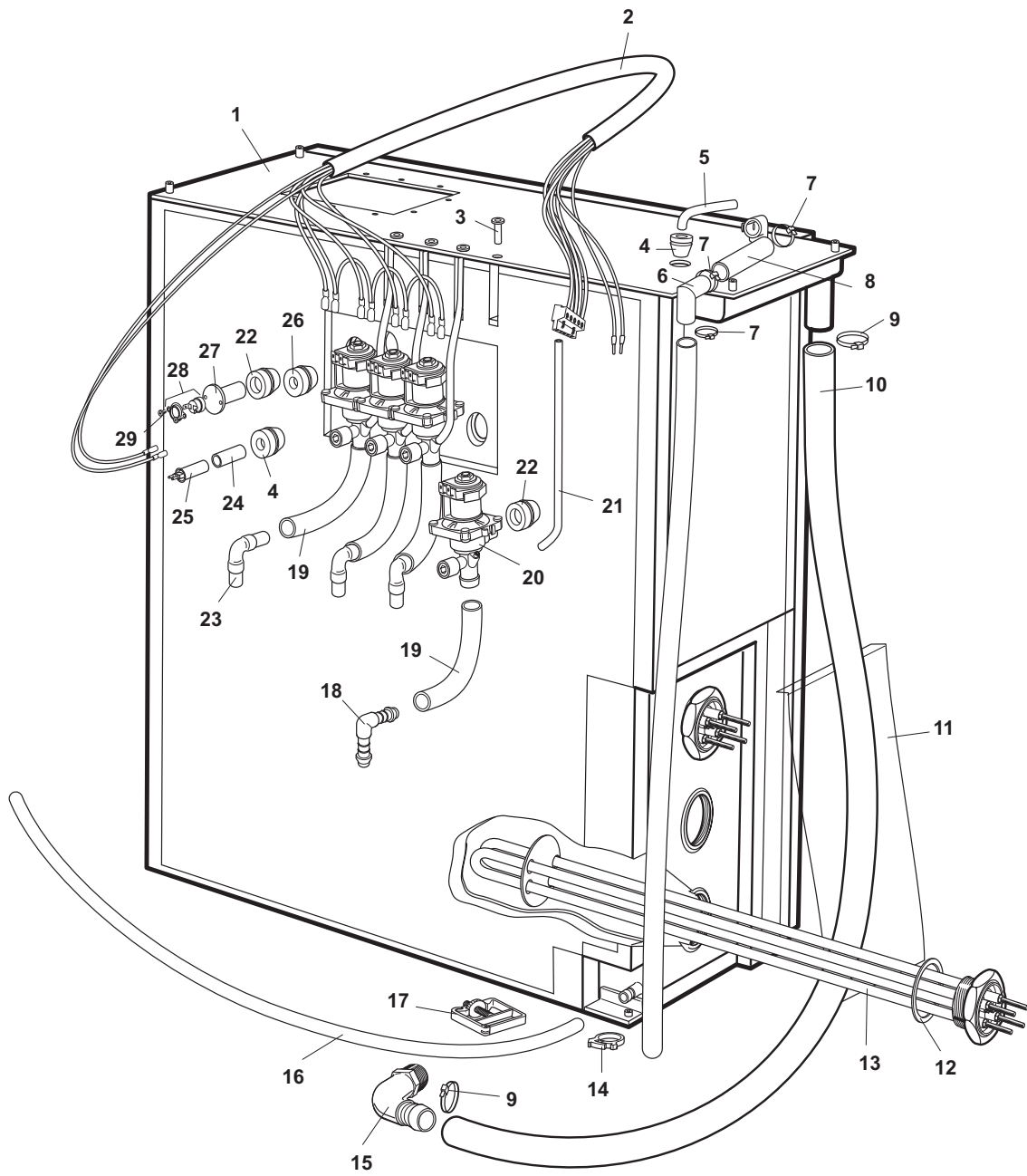
A Chassis Assembly

Ref	Description	Part No.
1	Side frame	05-14124
2	Cross tie plate	05-14097
3	Selection box retaining bracket	05-14120
4	Screw – M4 x 8mm Pozi Panhead	10004-032
5	Washer – M4 Form A	10017-05
6	Fan box	05-14094
7	Fan box plate L/H	05-14095
8	Fan box plate R/H	05-14096
9	Screw – M4 x 12mm S/S Pozi Panhead	10004-034
10.	Fan - 92mm 24vdc	04-14142
11	Screw – M4 x 30mm	10004-038
12	Rivet – 3.2 x 6mm S/S Pop rivet	10046-010
13	Cooler and nozzle platform	05-14127
14	Handle – 120mm Chrome	10047-316
15	Screw – Hex Set, M5 x 8mm	10006-004
16	'Water only' mounting bracket	05-14136
17	Nozzle channel and fan support	05-14125
18	Base plate	05-14123
19	Inlet valve 17mm, _" BSP to Hose Spigot	10039-333
20	Filter supplied with Inlet valve above	10039-333
21	Screw – M4 x 12mm S/S Pozi Panhead	10004-034
22	Leg – 4" adjustable chrome metal	10016-567
23	'Water only' Housing	05-14134
24	'Water only' Nozzle	05-14135
25	Screw – Countersunk M3 x 8mm	10001-022
26	Label – 'CAUTION HOT WATER'	05-14063
27	Switch – Black 'Water only'	10037-353
28	Locknut, supplied with switch above	10037-353
29	Silicone tube 10mm x 2mm x 300mm	10025-01
30	Nylon cable tie 140mm	10021-03
31	Rivet 3.1 x 9.5 S/S Pop rivet	10046-020



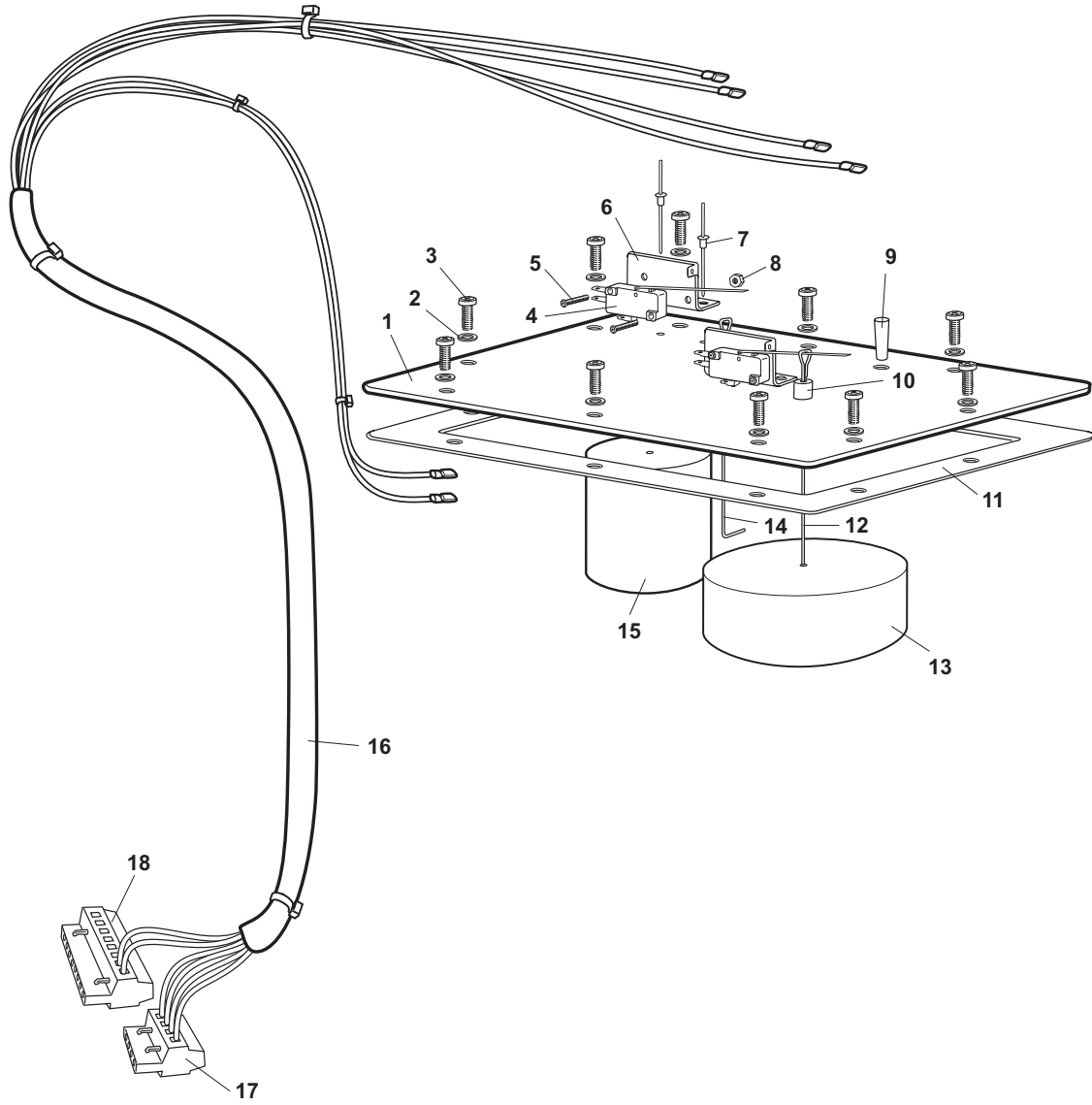
B Tank Assembly

Ref	Description	Part No.
1	Tank c/w insulation	04-14246
2	Loom - Outlet valves and Thermister	04-14115
3	Insulator Nylon No.8	10016-210
4	Silicone boiler seal 8mm	10039-500
5	Silicone tube 4.8mm x 3.2mm	10025-05
6	Water tank inlet elbow	05-14073
7	Nylon Cable tie 140mm	10021-03
8	Silicone tube 17mm x 2.5mm	10025-025
9	Nylon Cable tie 200mm	10021-028
10	Hose braided 25mm x 33mm x 1.16m	10039-336
11	Element water deflector	05-14075
12	Element sealing washer	10017-79
13	Heater element 14.2kW	10027-052
14	Hose clamp black GF Nylon 17mm	10016-310
15	Elbow 1"BSP to 1" spigot	10045-158
16	Silicone tube 12.7mm x 2mm	10025-17
17	Drain hose clamp	10039-900
18	Elbow – 12mm	10045-030
19	Silicone tube 11.5mm x 3mm	10025-07
20	Valve - Outlet 12mm 24vdc adjustable	10039-010
21	Silicone tube 4mm x 1mm	10025-02
22	Silicone boiler seal 12mm	10039-510
23	Water outlet elbow	05-14079
24	Silicone tube 8mm x 2mm x 15mm	10025-15
25	Thermister Unit	10032-009
26	Silicone boiler blanking seal	10039-520
27	O/T Thermostat probe	05-15014
28	Thermostat 90°C preset	10027-008
29	Screw – M3 x 6mm Pozi Panhead	10004-021



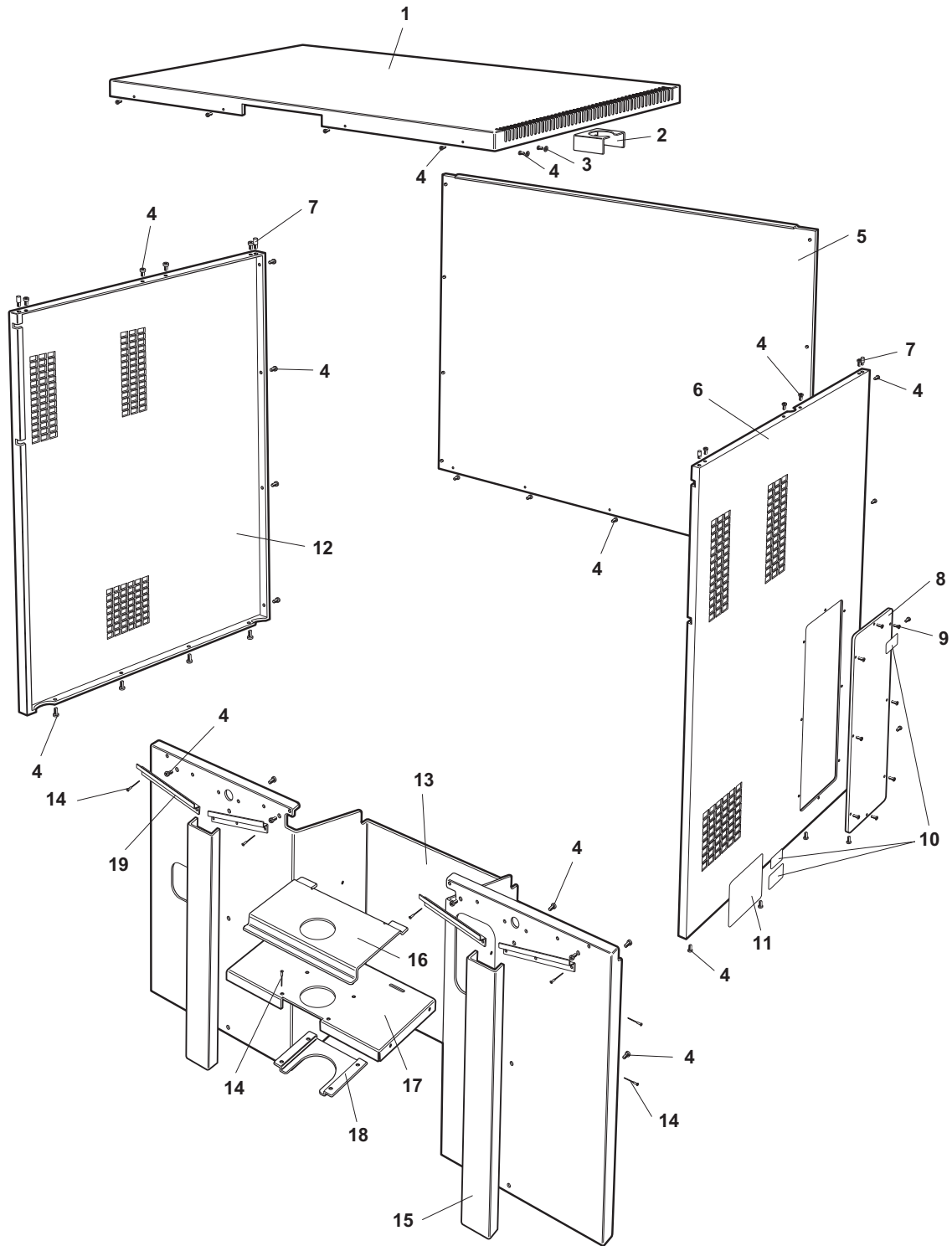
Ba Tank Lid Assembly

Ref	Description	Part No.
1	Tank Lid	05-12535
2	Washer – M4 Red fibre	10017-28
3	Screw – M4 x 8mm Pozi Panhead	10004-032
4	Float switch	10037-330
5	Screw - M3 x 20mm Pozi Panhead	10004-026
6	Microswitch bracket	05-4616
7	Rivet S/S 3.2 x 6mm	10046-010
8	Nut – M3	10010-003
9	Stopper, Silicone no.6	10026-02
10	Steam collar	05-4619
11	Tank Lid gasket	05-12133
12	Water level float rod	05-14081
13	Float, Hockey puck style (Water level)	05-4393
14	Overflow float rod	05-15031
15	Float, P3 style (Overflow)	05-4618
16	Tank Lid Wiring Loom	04-14119
17	Connector – 4 way Green (Also supplied with 04-14119)	10044-042
18	Connector – 8 way Green (Also supplied with 04-14119)	10044-082



C Casing Panels

Ref	Description	Part No.
1	Top cover	05-14129
2	Hose bracket	05-14237
3	Washer – Flat form A S/S	10017-05
4	Screw – M4 x 8mm Pan Pozi S/S	10004-032
5	Back panel	05-14130
6	Side panel R/H	05-14122
7	Top cover guide pin	05-14093
8	Element access cover	05-14131
9	Screw – M4 x 10mm CSK Pozi S/S	10001-033
10	Set of 3 Warning labels	05-5139
11	Label – Electrical Installation	05-14201
12	Side panel L/H	05-14121
13	Lower front panel	05-14126
14	Rivet – 3.2mm x 6mm S/S POP	10046-010
15	Condensation channel	05-14128
16	Hose locking plate	05-14236
17	Hose support plate	05-14234
18	Hose slide plate	05-14235
19	Condensation gutter	05-14143



D Power Supply Unit Assembly

Ref	Description	Part No.
1	Psu Cover (D420)	05-14103
2	Screw - M4 X 6mm Pozi Pan S/S	10004-031
3	On/Off Switch Bracket (D420)	05-14102
4	Psu - Switch Mode, Sws150-24v	10012-008
5	Psu - Switch Mode, Sws150-12v	10012-007
6	Led - Panel Mount 12mm Yellow	10033-071
7	Label – Low Current Indicator & Switch	70000
8	On/Off Switch Bezel D420	05-14104
9	Screw - M3 X 12mm Pozi Csk S/S	10001-024
10	Switch - On / Off Switch Assy	04-14111
11	Label – On	70000
12	Switch - Low Current Switch Assy	04-14108
13	Loom - Transformer Link Loom 230v	04-14112
14	Transformer - Auto 400va 600v I/P 230v O/P	10019-006
15	Loom - Transformer Link Loom 480v	04-14113
16	Screw - M5 X 6mm Pozi Pan S/S	10004-041
17	Relay - 3 Pole 40a	10038-209
18	Pcb Support 9.5mm Self Locking	10016-002
19	Pcb Assy D420 Psu	04-14100
20	Loom - Element 3 To Regulating Relay	04-14207
21	Loom - Element 2 To Regulating Relay	04-14206
22	Loom - Element 1 To Regulating Relay	04-14205
23	Loom - Element 3 To Limit Contactor	04-14204
24	Loom - Element 2 To Limit Contactor	04-14203
25	Loom - Element 1 To Limit Contactor	04-14202
26	Loom - Relay Loom - Reg To Limit Live 3	04-14195
27	Loom - Relay Loom - Reg To Limit Live 2	04-14914
28	Loom - Relay Loom - Reg To Limit Live 1	04-14193
29	Loom - Earth Psu To Tank	04-14199
30	Washer - M4 Shakeproof External	10017-72
31	Nut - M4 Hex Full S/S	10010-004
32	Loom - Element 3 To Low Volts Relay	04-14210
33	Loom - Element 2 To Low Volts Relay	04-14209
34	Loom - Element 1 To Low Volts Relay	04-14208
35	Loom - Contactor Live 1	04-14190
36	Loom - Contactor Live 2	04-14191
37	Loom - Contactor Live 3	04-14192
38	Loom - Mains Terminal Live 3	04-14198
39	Loom - Mains Terminal Live 2	04-14197
40	Loom - Mains Terminal Live 1	04-14196
41	Psu Tray (D420)	05-14101
42	Rubber U Channel	10026-016
43	Screw - M5 X 8mm Hex Set S/S	10006-004
44	Contactor 60a Ac1	10038-211
45	Screw - M4 X 16mm Pozi Pan S/S	10004-035
46	Din Terminal M6 Dual Stud	10020-009
47	Screw - M5 X 12mm Pozi Pan S/S	10004-044
48	Din Terminal M6 Single Stud	10020-010

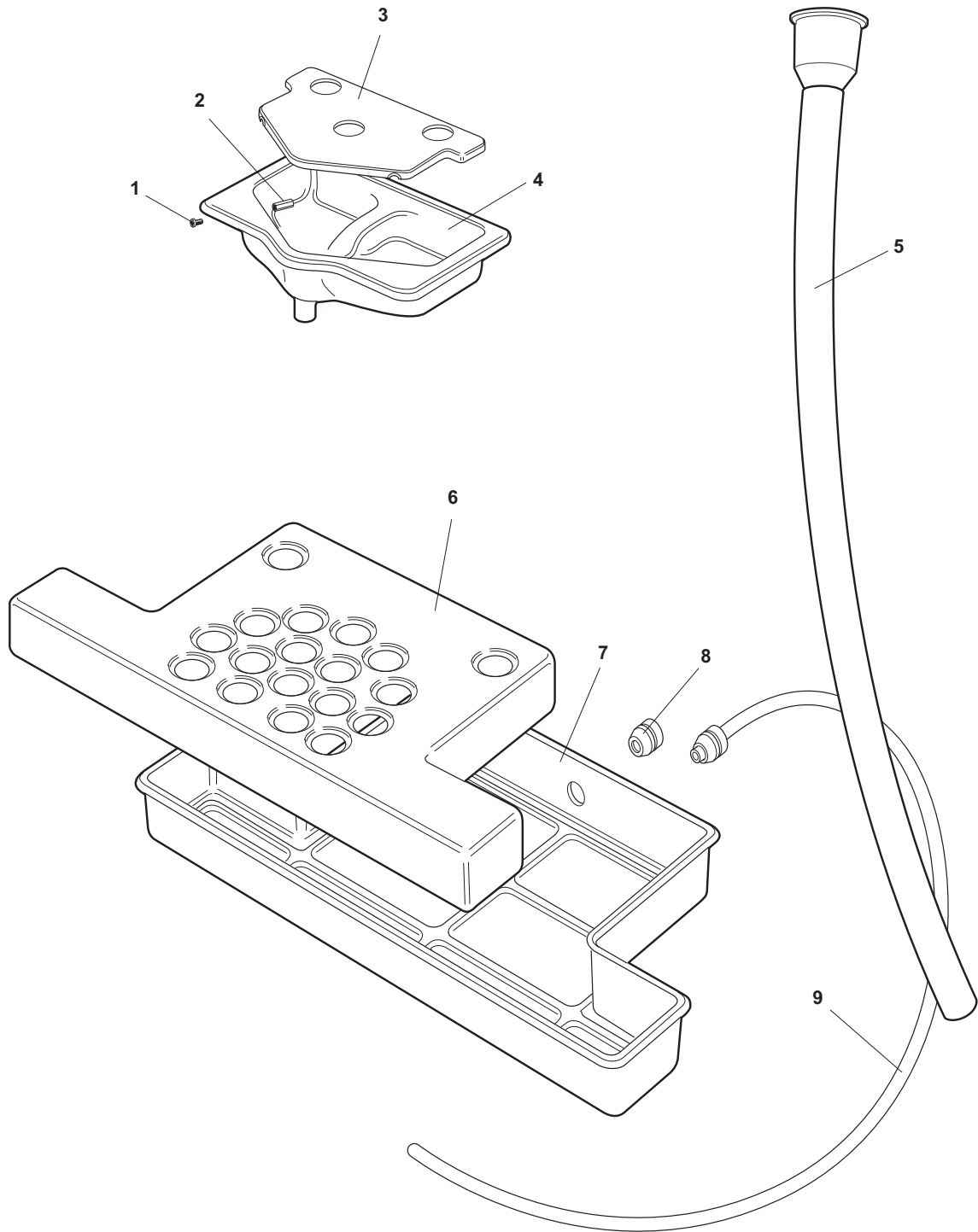
(Continued on page 14)

D Power Supply Unit Assembly (Cont)

Ref	Description	Part No.
49	Mounting Rail	05-4535
50	Psu End Cover R/H	05-14188
51	Psu Connection Cover	05-14189
52	Label - D420 Electrical Installation	05-14201
53	Screw - M4 X 12mm Pozi Pan S/S	10004-034
54	Conduit Plate 1"	05-14180
55	Conduit Plate 1.25"	05-14181
56	Conduit Plate 1.5"	05-14182
57	Conduit Plate 2"	05-14183
58	Screw - M4 X 10mm Hex Set Stainless Steel	10006-01
59	Label - Earth Point	10051-023
60	Washer - M5 Shakeproof External	10017-73
61	Nut - M5 Hex Full S/S	10010-005
62	Loom - Earth Mains To 12v Psu	04-14184
63	Washer - M5 Form A, S/S	10017-06
64	Loom - Relay Dc Loom Assy	04-14106
65	Loom - Psu Dc Loom	04-14107
66	Pcb Connector 6 Way Vertical Screw Plug	10044-062
67	Switch - Low Current Switch Assy	04-14108
68	Fan Assy Psu	04-14114
69	Screw - M4 X 30mm Pozi Pan S/S	10004-038
70	Psu End Cover L/H	05-14187
71	Loom - Power Loom Assy D420	04-14117
72	Loom - Dc Relay Signal	04-14185

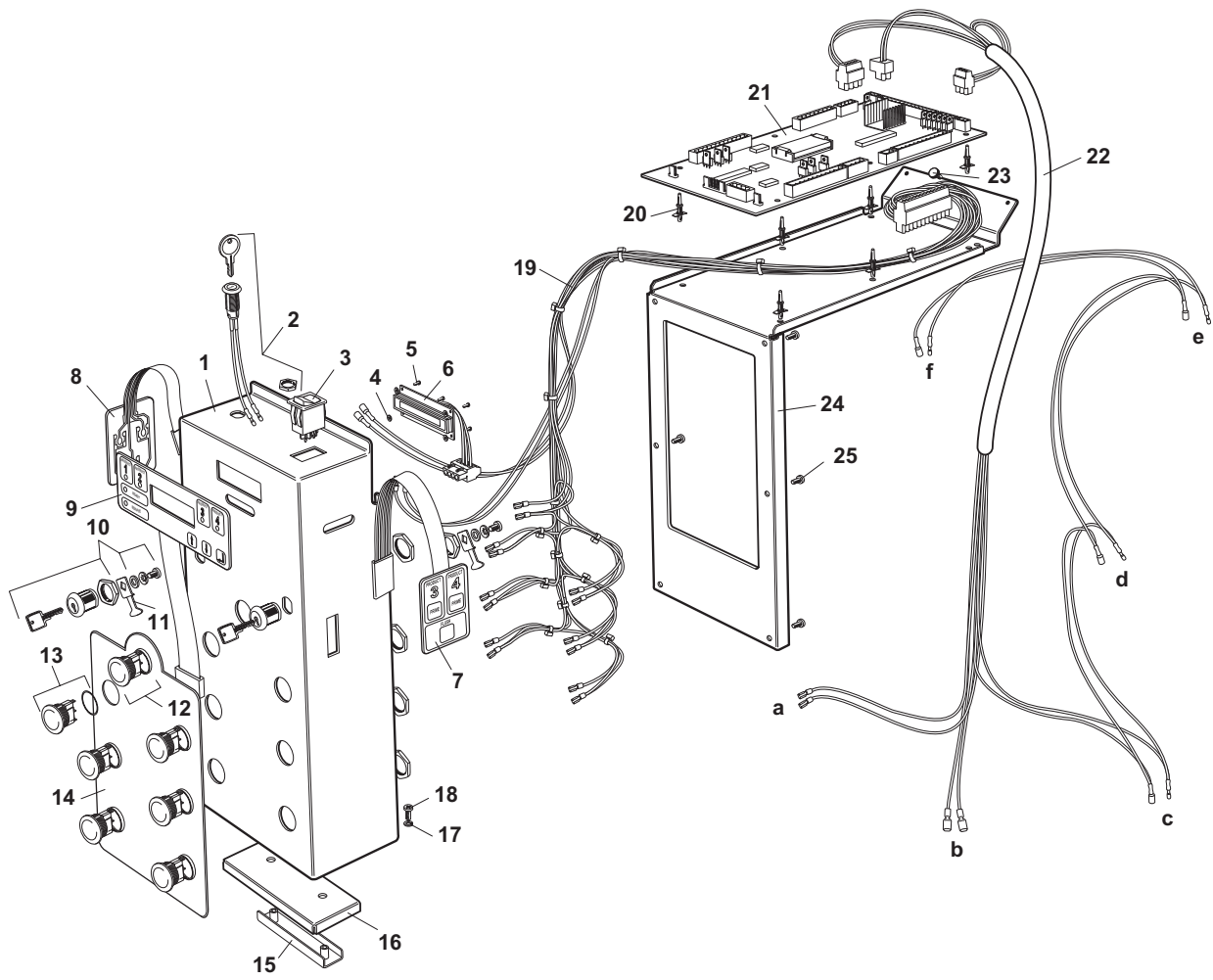
E Nozzle Assy, Drip Tray Assy and Delivery Hose

Ref	Description	Part No.
1	Screw – M4 x 8mm Pan Pozi S/S	10004-022
2	Pillar	10049-426
3	Nozzle steam cover	05-14091
4	Nozzle tray	05-14090
5	Delivery hose 1 metre long	04-14166
6	Drip tray insert	05-14172
7	Drip tray	05-14171
8	Blanking silicone bung	10039-520
9	Red hose with moulded bung	10025-050



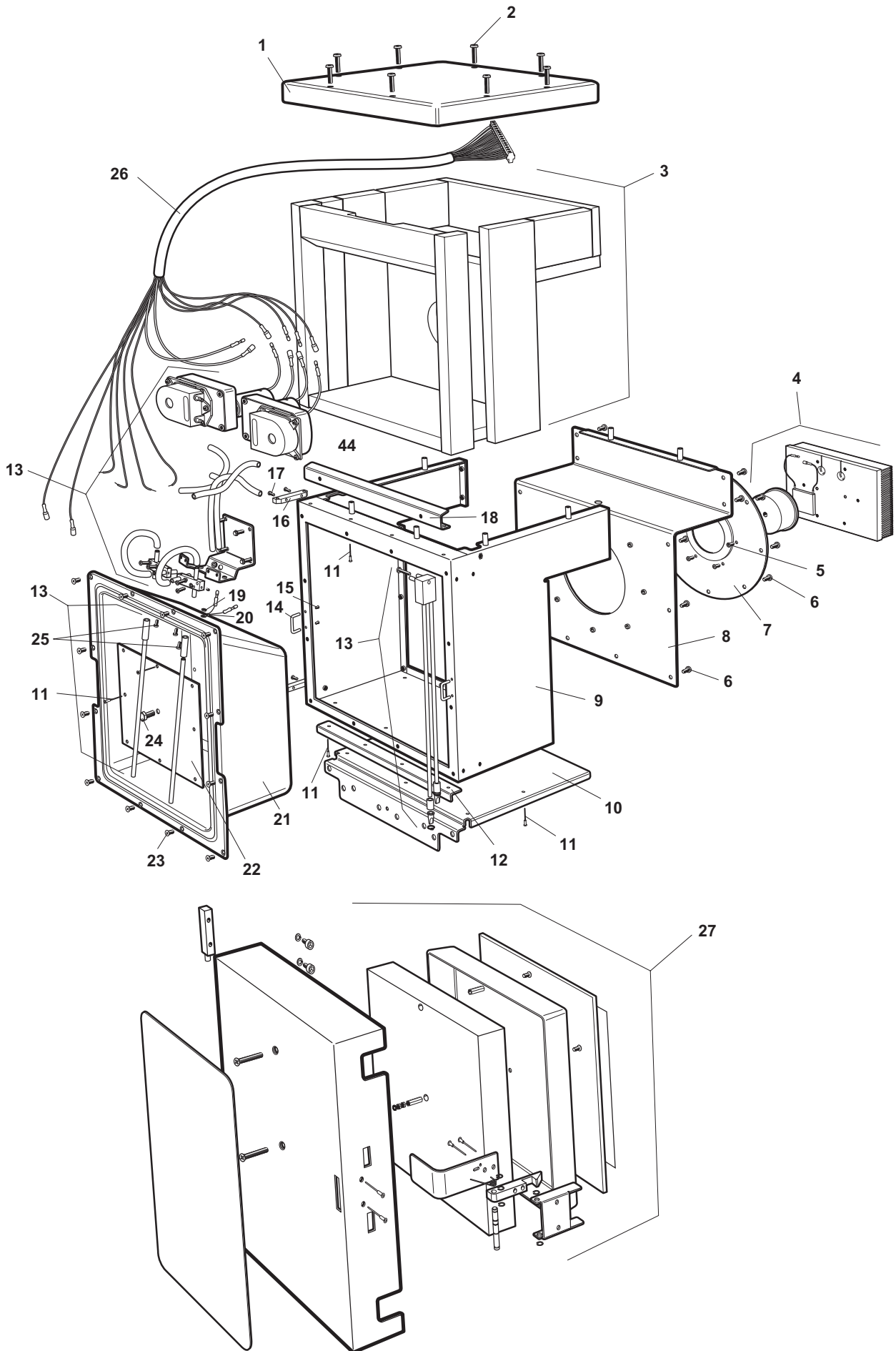
F Control Unit Assembly

Ref	Description	Part No.
1	Selection box	05-14050
2	Keyswitch assembly	04-14211
3	Standby switch, red	10037-354
4	Washer – M3 red fibre	10017-26
5	Screw – M3 x 6mm nylon	10002-006
6	Display unit	04-14056
7	Membrane - L/H prime 3 & 4	05-14055
8	Membrane - L/H prime 1 & 2	05-14054
9	Membrane - Front panel set up and indicators	05-14053
10	Lock c/w keys	10047-328
11	Lock tongue	05-14061
12	Selection button c/w locknut – Red	10037-351
13	Selection button c/w locknut – Silver	10037-352
14	Label – Selection switch panel	05-14059
15	Pivot channel	05-14067
16	Pivot bracket	05-14066
17	Washer M4 Spring S/S	10017-39
18	Screw – M4 x 10mm Pozi Panhead	10004-033
19	Selection box wiring loom	04-14058
20	PCB Support 12.7mm	10016-564
21	Control PCB with Processor chip	03-14060
22	Wiring loom for inlet valve, water switch & fans	04-14118
23	Thumbscrew M5 x 10mm	10024-012
24	Selection box PCB plate	05-14051
25	Screw – M4 x 8mm Pozi Panhead	10004-032



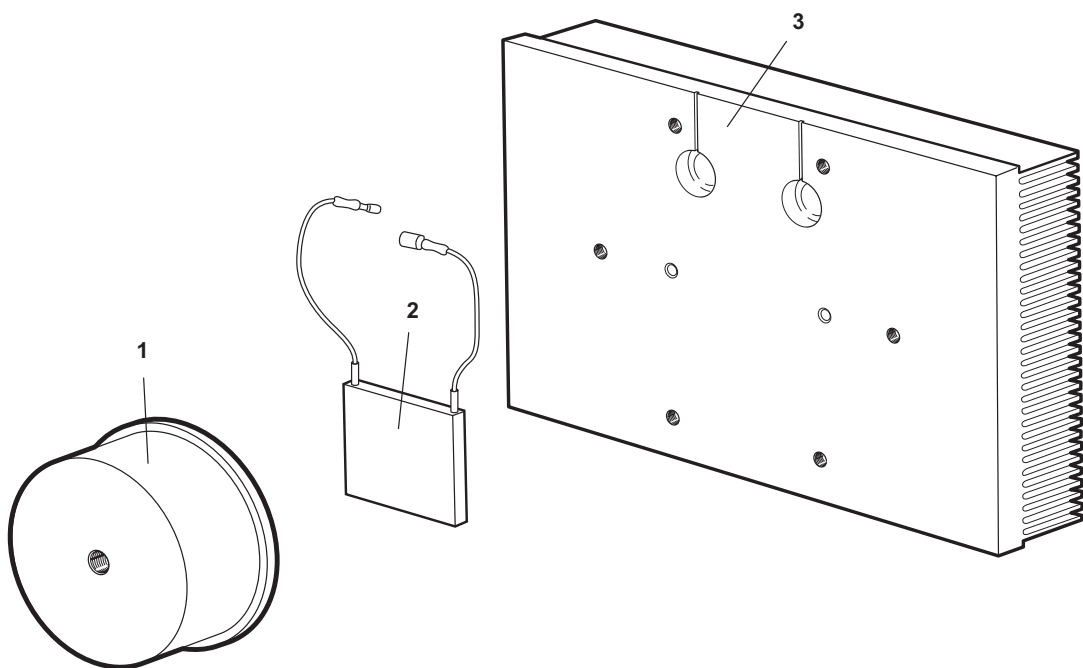
G Cooling Unit Assembly (LH)

Ref	Description	Part No.
1	Top cover	05-14004
2	Screw – M4 x 25mm Pozi Panhead S/S	10004-037
3	Insulation set	04-14028
4	Heat pump assembly (see Ga)	
5	Screw – M3 x 6mm Pozi Panhead	10004-021
6	Screw – M4 x 8mm Pozi Panhead S/S	10004-032
7	Peltier sealing ring	05-14011
8	Cooling chamber back plate	05-14003
9	Housing	05-14002
10	Support plate	05-14005
11	Rivet 3.2 x 6 S/S	10046-010
12	Drip rail	05-14006
13	Concentrate delivery assembly (see Gb)	
14	Handle- Latch, 30mm chrome	10047-312
15	Screw – M3 x 8mm socket cap	10003-308
16	Hinge block - Housing	05-14016
17	Screw – M4 x 12mm CSK S/S	10001-034
18	Top bracket	05-14015
19	Nut – M4 S/S	10010-004
20	Cooler Thermister	04-14018
21	Inner skin	05-14001
22	Cold plate	05-14009
23	Screw – M4 x 10mm CSK S/S	10001-033
24	Screw – Hex set M6 x 12mm S/S	10006-007
25	Screw – M4 x 8mm Pozi Panhead	10004-032
26	Cooler unit wiring loom	04-14027
27	Cooler unit door assembly (see Gd)	



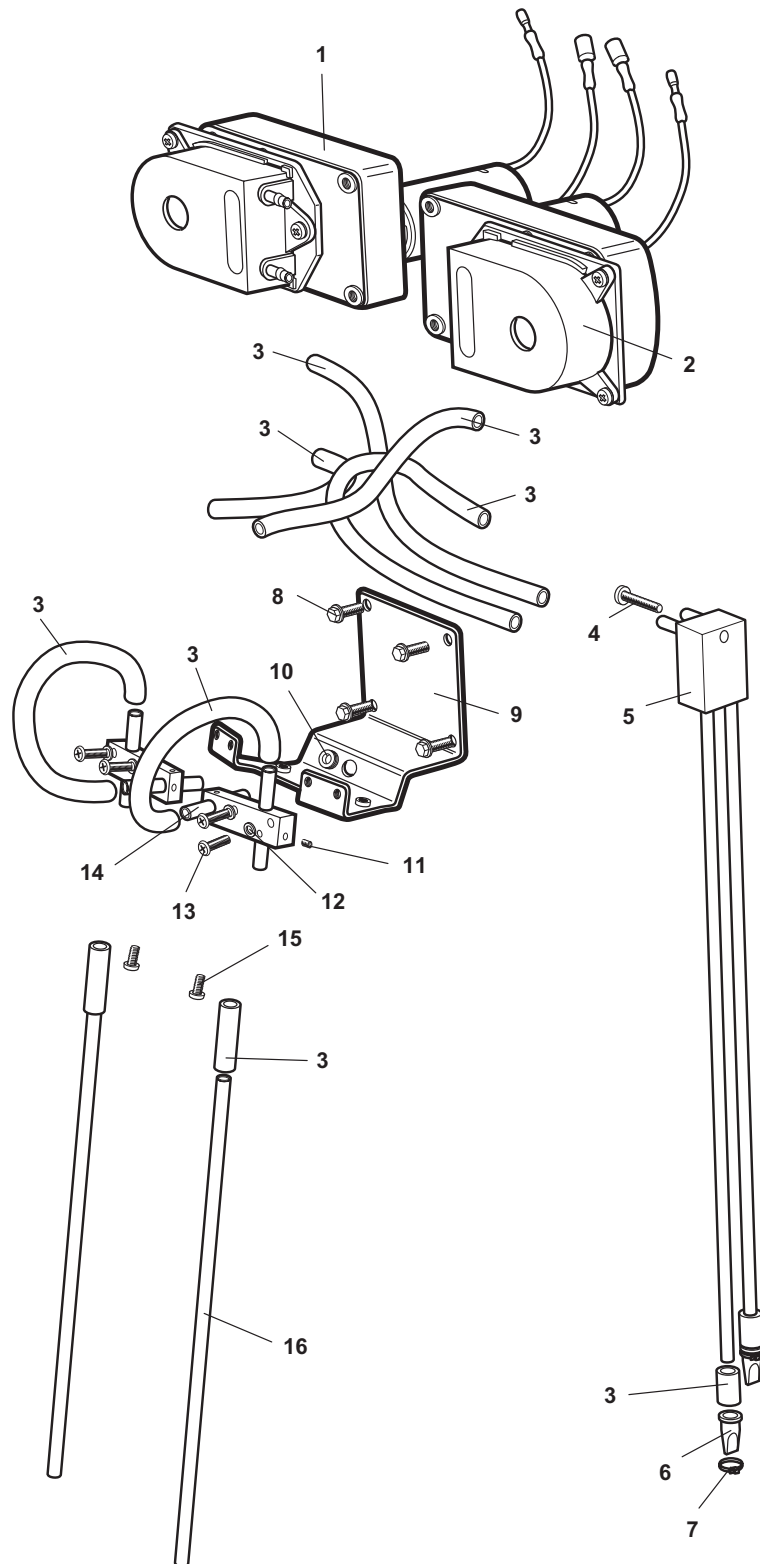
Ga Heat Pump Assembly

Ref	Description	Part No.
1	Peltier cold block	05-14008
2	Peltier device	04-14017
3	Heatsink	05-14010



Gb Concentrate Delivery Assembly

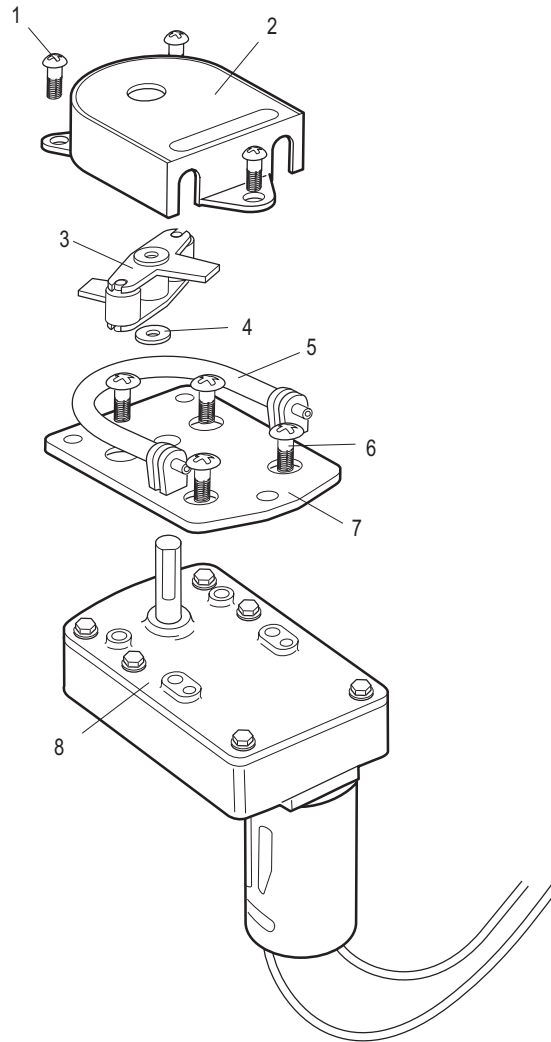
Ref	Description	Part No.
1	Peristaltic pump assembly L/H (see Gc)	04-14019
2	Peristaltic pump assembly R/H (see Gc)	04-14020
3	Silicone tube 4.8mm x 3.2mm	10025-05
4	Screw – M4 x 25mm Pozi Panhead S/S	10004-037
5	Concentrate outlet block (with tubes)	05-14014
6	Duckbill valve	10026-018
7	Cable tie 80mm	10021-01
8	(Supplied with pumps)	
9	Peris and prod low bracket	05-14007
10	Grommet	10021-023
11	Grub screw M3 x 6mm	10005-306
12	Washer M3	10017-15
13	Screw – M3 x 16mm Pozi Panhead	10004-025
14	Suction and prod low block	05-14013
15	Screw – M4 x 8mm Pozi Panhead	10004-032
16	Suction tube	05-14012



Gc Peristaltic Pump Assembly

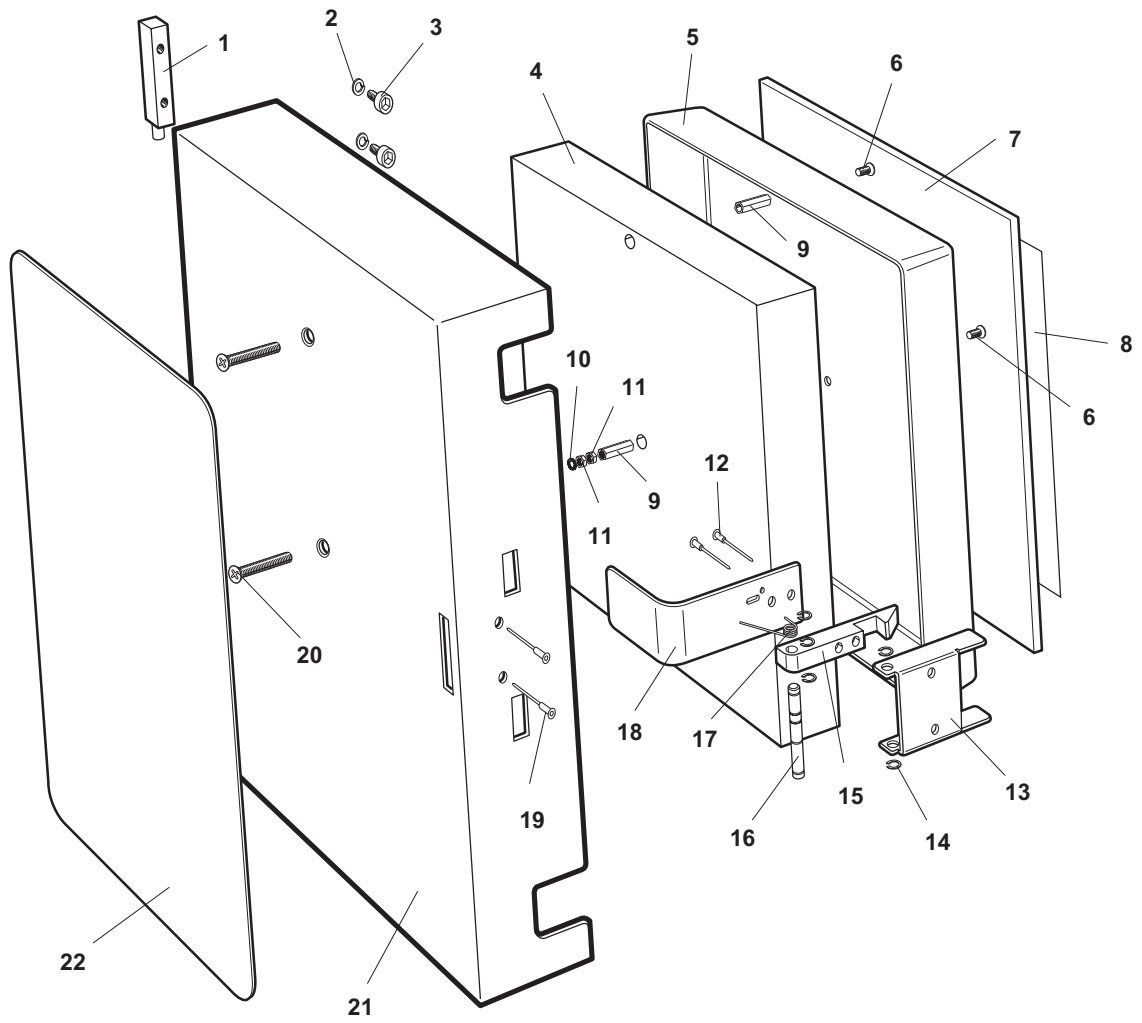
Ref	Description	Part No.
1	Screw M4 x 10mm	10004-033
2	Peristaltic Pump housing	AU-E0240-02
3	Pump rotor	AU-E0241-03
4	Shim	AU-E0345-NY
5	Peristaltic tube assy	3.2mm bore (option) 4.8mm bore (std)
		10028-14 10028-11
6	Screw - M5 x 12mm	10004-044
7	Backplate	AU-E0244-02
8	Motor and gearbox assy 240rpm	AU-E0040-093A-M5

Note: The complete LH pump assembly has part no. 04-14019 The complete RH pump assembly has part number 04-14020.



Gd Cooler Unit Door Assembly (LH)

Ref	Description	Part No.
1	Hinge	05-14218
2	Spring washer M4 S/S	10017-39
3	Screw – M4 x 8mm Socket cap S/S	10003-414
4	Door insulation	05-14221
5	Door seal panel	05-14213
6	Screw – M4 x 12mm Pozi CSK S/S	10001-034
7	Door seal	05-14222
8	Cleaning Label (Specify English or Spanish)	05-14039
9	Pillar M4 x 25mm hex	10049-330
10	Washer - M4 Shakeproof	10017-72
11	Nut – M4 S/S	10010-004
12	Rivet 3.2 x 6 S/S	10046-010
13	Latch bracket	05-14214
14	Circlip 3.2 E type S/S	10046-803
15	Latch	05-14215
16	Latch spindle	05-14217
17	Torsion spring	10009-020
18	Latch handle	05-14216
19	Rivet 3.1 x 9.5 S/S	10046-020
20	Screw – M4 x 16mm Pozi CSK S/S	10001-035
21	Door panel	05-14030
22	Label – L/H 'AROMAT'	05-14239
	Label – L/H 'Maxwell House'	05-14040L
	Label – R/H 'AROMAT'	05-14240
	Label – R/H 'Maxwell House'	05-14040R





Contact Information

DASS Manufacturing Ltd.

SBC House,
Restmor Way,
Wallington,
Surrey, SM6 7AH,
United Kingdom.

Tel: +44 (0)20 8669 8012

Fax: +44 (0)20 8669 9529

Email: sales@aromat-uk.com

Web: www.aromat-uk.com
www.aromat.de

DASS Manufacturing Ltd. is part of the Fine Foods International group