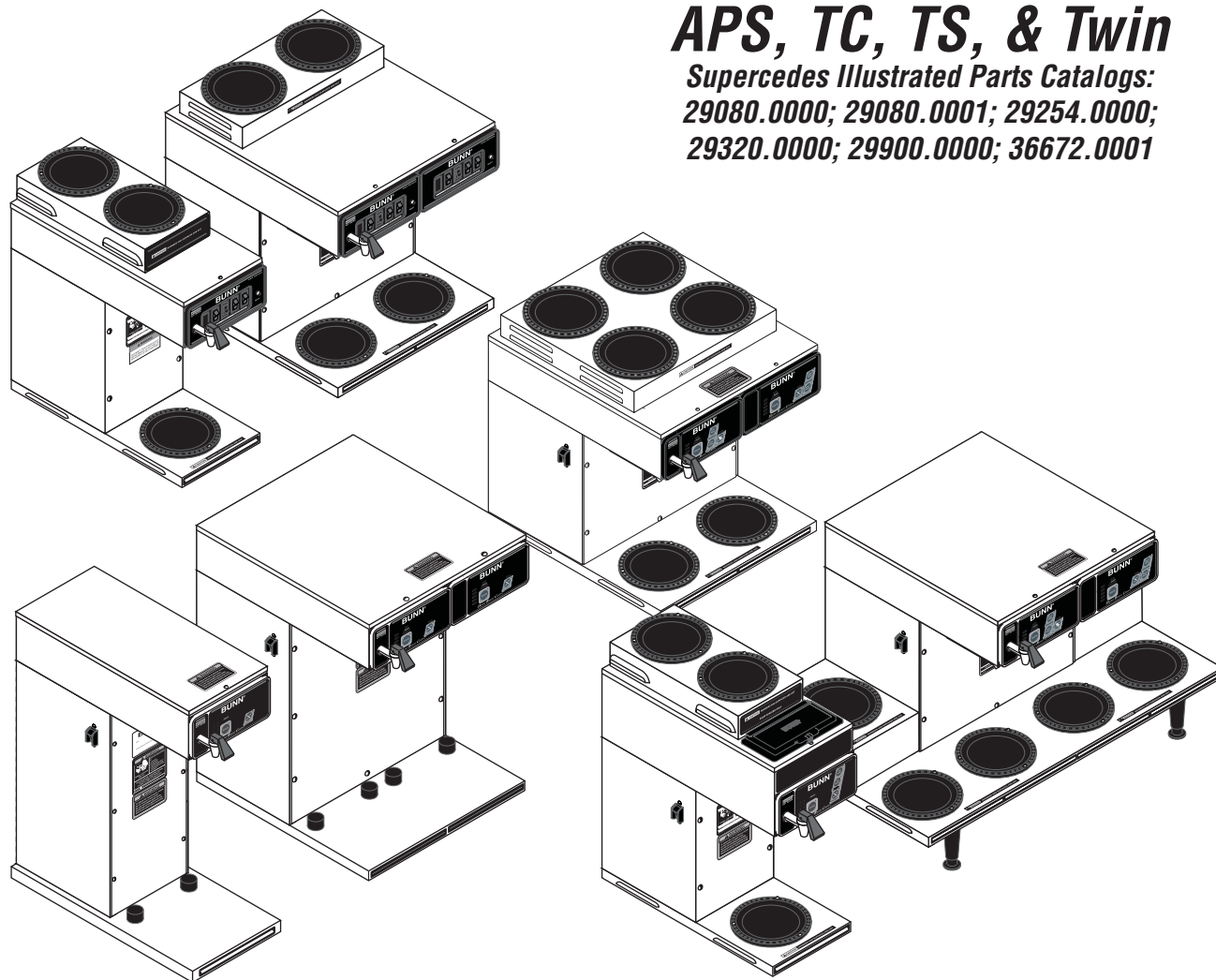


# BUNN®

## *CDBC-CEZ Series* *Including DV, MV, Pourover,* *APS, TC, TS, & Twin*

*Supersedes Illustrated Parts Catalogs:*  
*29080.0000; 29080.0001; 29254.0000;*  
*29320.0000; 29900.0000; 36672.0001*



## ILLUSTRATED PARTS CATALOG

Designs, materials, weights, specifications, and dimensions for equipment or replacement parts are subject to change without notice.

**BUNN-O-MATIC CORPORATION**  
POST OFFICE BOX 3227  
SPRINGFIELD, ILLINOIS 62708-3227  
PHONE: (217) 529-6601 FAX: (217) 529-6644

## BUNN-O-MATIC COMMERCIAL PRODUCT WARRANTY

Bunn-O-Matic Corp. ("BUNN") warrants equipment manufactured by it as follows:

- 1) All equipment other than as specified below: 2 years parts and 1 year labor.
- 2) Electronic circuit and/or control boards: parts and labor for 3 years.
- 3) Compressors on refrigeration equipment: 5 years parts and 1 year labor.
- 4) Grinding burrs on coffee grinding equipment to grind coffee to meet original factory screen sieve analysis: parts and labor for 3 years or 30,000 pounds of coffee, whichever comes first.

These warranty periods run from the date of installation BUNN warrants that the equipment manufactured by it will be commercially free of defects in material and workmanship existing at the time of manufacture and appearing within the applicable warranty period. This warranty does not apply to any equipment, component or part that was not manufactured by BUNN or that, in BUNN's judgment, has been affected by misuse, neglect, alteration, improper installation or operation, improper maintenance or repair, damage or casualty. This warranty is conditioned on the Buyer 1) giving BUNN prompt notice of any claim to be made under this warranty by telephone at (217) 529-6601 or by writing to Post Office Box 3227, Springfield, Illinois 62708-3227; 2) if requested by BUNN, shipping the defective equipment prepaid to an authorized BUNN service location; and 3) receiving prior authorization from BUNN that the defective equipment is under warranty.

**THE FOREGOING WARRANTY IS EXCLUSIVE AND IS IN LIEU OF ANY OTHER WARRANTY, WRITTEN OR ORAL, EXPRESS OR IMPLIED, INCLUDING, BUT NOT LIMITED TO, ANY IMPLIED WARRANTY OF EITHER MERCHANTABILITY OR FITNESS FOR A PARTICULAR PURPOSE.** The agents, dealers or employees of BUNN are not authorized to make modifications to this warranty or to make additional warranties that are binding on BUNN. Accordingly, statements by such individuals, whether oral or written, do not constitute warranties and should not be relied upon.

If BUNN determines in its sole discretion that the equipment does not conform to the warranty, BUNN, at its exclusive option while the equipment is under warranty, shall either 1) provide at no charge replacement parts and/or labor (during the applicable parts and labor warranty periods specified above) to repair the defective components, provided that this repair is done by a BUNN Authorized Service Representative; or 2) shall replace the equipment or refund the purchase price for the equipment.

**THE BUYER'S REMEDY AGAINST BUNN FOR THE BREACH OF ANY OBLIGATION ARISING OUT OF THE SALE OF THIS EQUIPMENT, WHETHER DERIVED FROM WARRANTY OR OTHERWISE, SHALL BE LIMITED, AT BUNN'S SOLE OPTION AS SPECIFIED HEREIN, TO REPAIR, REPLACEMENT OR REFUND.**

In no event shall BUNN be liable for any other damage or loss, including, but not limited to, lost profits, lost sales, loss of use of equipment, claims of Buyer's customers, cost of capital, cost of down time, cost of substitute equipment, facilities or services, or any other special, incidental or consequential damages.

B.U.N.N., BREWWISE, BUNN, BUNN FAMILY GOURMET, BUNN GOURMET ICE, BUNN-O-MATIC, BUNN OMATIC LOGO, BUNN, BUNNSERVE, DBC, DR. BREW LOGO, DR. BREW, DUAL, EASY CLEAR, EASY POUR, FLAVORGARD, GOURMET ICE, GOURMET JUICE, HIGH INTENSITY, INFUSION SERIES, LEGENDARY FOR QUALITY, MY CAFE, POWERLOGIC, SAFETY-FRESH, SINGLE, SMART FUNNEL, SMART HOPPER, SOFT HEAT, SPLASHGARD, SYSTEM III, THE MARK OF QUALITY IN BEVERAGE EQUIPMENT WORLDWIDE and THERMOFRESH are registered trademarks of Bunn-O-Matic Corporation in the United States and/or other countries.

AXIOM, BREWLOGIC, BREWWIZARD, BUNN ESPRESSO, BUNNLINK, BUNNLINK LOGO, COFFEE SPOT, EASYGARD, GLOBAL SOLUTIONS FOR QUALITY BEVERAGES, IMIX, NOTHING BREWS LIKE A BUNN, QUALITY BEVERAGE EQUIPMENT WORLDWIDE, SIGNATURE SERIES, SILVER SERIES, SMART WAVE, BUNNSOURCE, DIGITAL BREWER CONTROL, POURING PROFITS, SMART HEAT, THE HORIZONTAL RED LINE, ULTRA, COFFEE AT ITS BEST and TEA AT ITS BEST are trademarks of Bunn-O-Matic Corporation in the United States and/or other countries.

Unauthorized use or duplication of these marks is strictly prohibited by law.

The absence of a name or logo in this list does not constitute a waiver of any and all intellectual property rights that Bunn-O-Matic Corporation has established in any of its product, feature, or service names or logos.

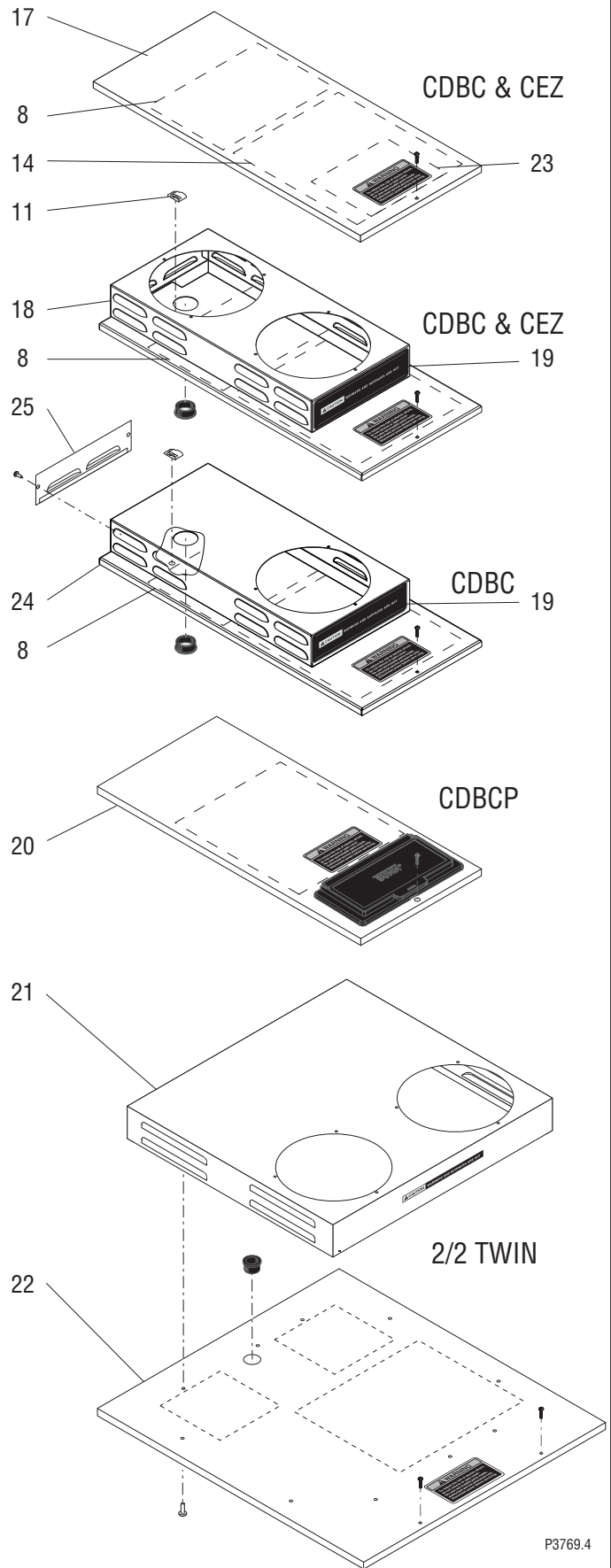
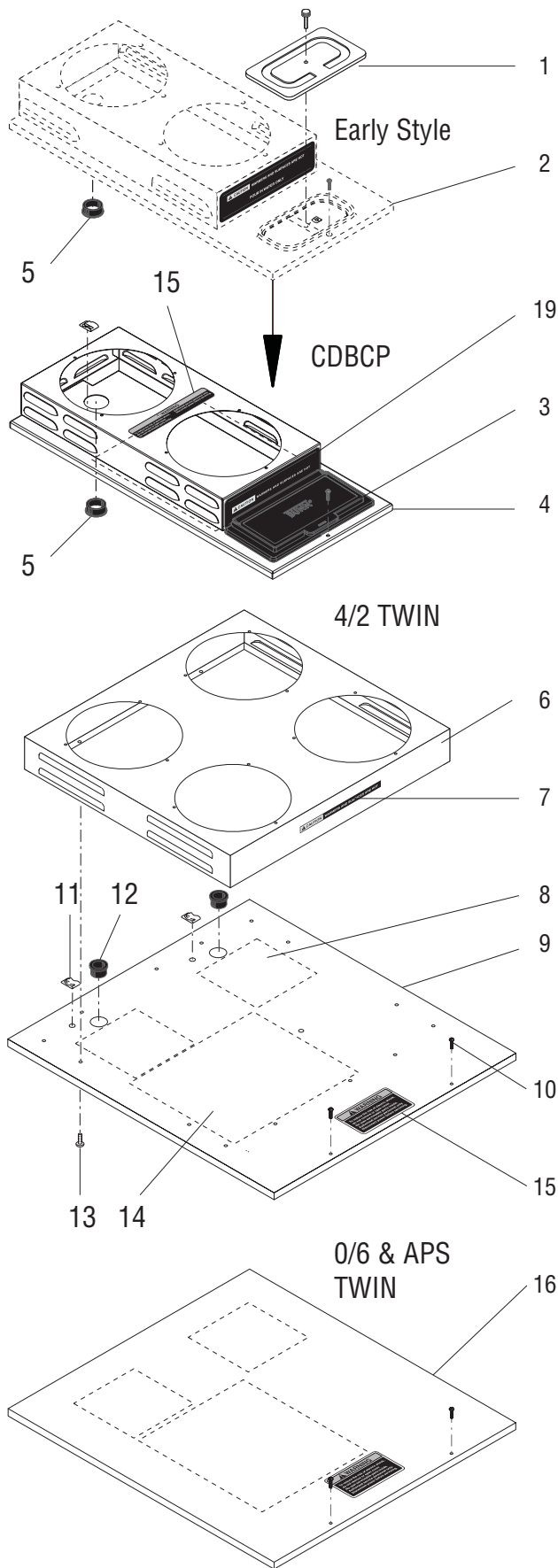
## TABLE OF CONTENTS

TOP COVERS .....	4
HOOD ASSEMBLIES .....	6
TRUNKS.....	8
BASES.....	12
TANK AND COMPONENTS .....	16
DISPENSE VALVE, SPRAYHEAD, & FAUCET .....	20
FILL SOLENOID VALVE AND DRAIN .....	24
WARMER ASSEMBLIES.....	26
ELECTRICAL AND OPERATING CONTROLS .....	28
FUNNELS .....	34
NUMERICAL INDEX .....	36

### Explanation of codes:

- 15** - All components in machine are rated for 120 Volts ac, (15 Amps)
- 20** - All components in machine are rated for 120 Volts ac, (20 Amps)
- 35 (120/240V)** - Tank heater rated for 240 volts ac, all other components rated for 120 volts ac (20 Amps)
- DV** - Dual Voltage. 2 tank heaters with toggle switch
- MV** - Multi Voltage. 2 tank heaters with terminal block. (Replaced by DV)
- A** - All components in machine are rated for 240 volts ac.
- B** - All components are rated for either 100 volts ac, or 200 volts ac.
- CE** - All components are rated for 230 volts ac for use in Europe.
- CDBC Series** - Digital brewer with membrane switches (touch pad)
- CEZ Series - (Obsoleted)** Digital brewer with lighted switches (looks like the CWTF Series!)
- TWIN** - 2 brewers in 1 chassis.
- APS** - Airpot Server (No warmers)
- TC** - Thermal Carafe (No warmers)
- TS** - Thermal Server (No warmers)

Fraction	Decimal		Fraction	Decimal
1/16	0.063		9/16	0.563
1/8	0.125		5/8	0.625
3/16	0.188		11/16	0.688
1/4	0.250		3/4	0.750
5/16	0.313		13/16	0.813
3/8	0.375		7/8	0.875
7/16	0.438		15/16	0.938
1/2	0.500		1	1.000



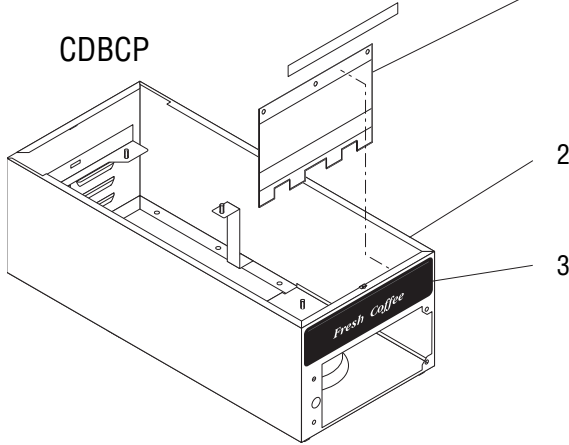
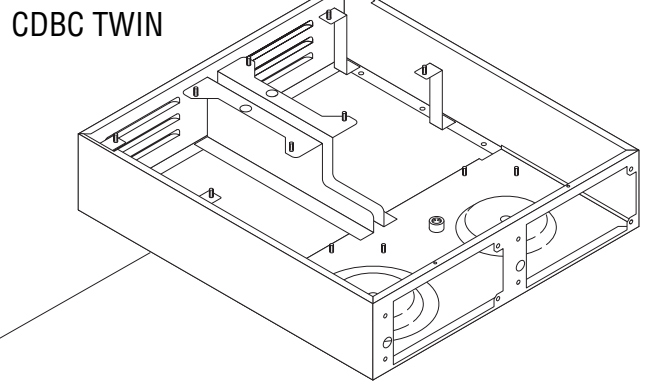
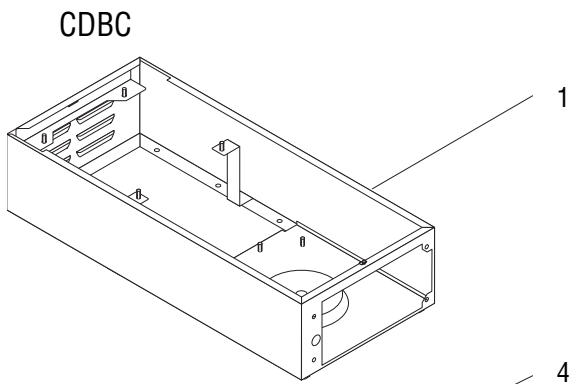
P3769.4

\* Indicates the part number listed is OBSOLETE.

^ Indicates the part number listed is for reference only.

## TOP COVER ASSEMBLIES

ITEM	PART NO.	QTY. TWIN	QTY. SINGLE	DESCRIPTION
1	02722.0000	-	1	Lid, Pour-in SST
	01319.0000	-	1	SST thumbscrew # 8-32 x .75"
	00912.0000	-	1	Fastener, "J" Type # 8-32
2	25312.0001*	-	1	Cover Assembly SST CDBCP (Obsolete Order Item 5)
3	38498.1000	-	1	Flip Lid Assembly w/Clip
4	38496.1002	-	1	Cover Assembly SST CDBCP (Includes Items 3, 4 & 6)
5	01592.0001	1	1	Bushing, Snap 1.188" Dia.
6	24254.0001	1	-	Housing, Warmer 4/2 Models (Includes item 8)
7	12364.0000	1	-	Decal, Caution-Warmers are Hot
8	25151.0000	-	1	Shield, Level Probe Insulator 5" x 7.313" (Not Used in CDBCP)
	25151.0001	2	-	Shield, Level Probe Insulator 4" x 4"
9	23260.1005	1	-	Cover, Top SST 4/2 Models (Includes Items 9 & 16)
10	01303.0000	2	1	Screw, SST Panhead #4-40 x .5"
	01303.0002	2	1	Screw, BLK Panhead #4-40 x .5"
11	28382.0000	1	1	Clamp, Harness (2 Used on 4/2 Models)
12	01592.0000	2	1	Bushing, Snap 1" Dia. (2 Used on 4/2 Models)
13	01347.0000	10	-	Screw, Truss Head #6-32 x .375" (6 Used on 2/2 Rear Warmer Models)
14	29206.0000	1	1	Decal, Diagnostic
15	37881.0000	1	1	Decal, No User Serviceable Parts
	37881.0002	-	1	Decal, No User Serviceable Parts (CDBCP Only)
16	23260.1004	1	-	Cover, Top SST 0/6 Models & APS (Includes Items 9 & 16)
	23260.1008	1	-	Cover, Top BLK 0/6 Models & APS (Includes Items 9 & 16)
17	34070.1001	1	-	Cover, Top SST CDBC, CEZ, & APS (Includes Items 9 & 16)
	25309.1004	1	-	Cover, Top BLK CDBC, CEZ, & APS (Includes Items 9 & 16)
18	34069.1000	-	1	Cover Assembly, SST CDBC & CEZ 2 Warmer (Includes Items 9 & 16)
	25312.1004	-	1	Cover Assembly, BLK CDBC & CEZ 2 Warmer (Includes Items 9 & 16)
19	02765.0000	-	1	Decal, Caution-Warmers and Surfaces are Hot
20	38504.1004	-	1	Cover, Top SST CDBCP (Includes Items 4 & 16)
21	24254.0002	1	-	Housing, Warmer 2/2 Models (Includes item 8)
22	25864.1001	1	-	Cover, Top SST 2/2 Models & APS (Includes Items 9 & 16)
23	29684.0000	-	1	Decal, Terminal Block Wiring (MV Only)
24	25312.1007	-	1	Cover Assembly, SST 1 Front Upper Warmer (Includes Items 9 & 16)
25	02732.0000	-	1	Panel
	01315.0000	-	2	Screw, Truss Head #8-32 x .375"

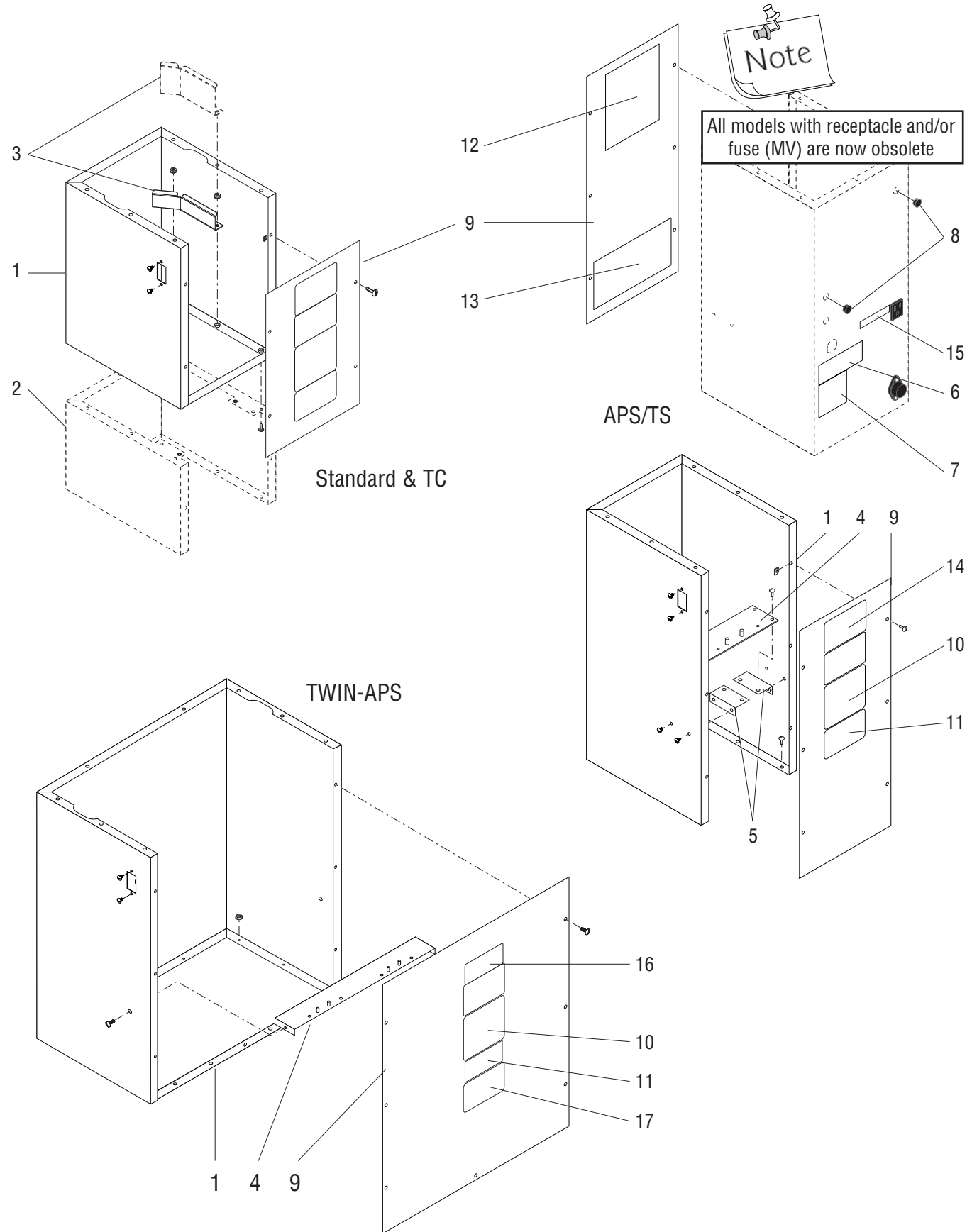


\* Indicates the part number listed is OBSOLETE.

6 ^ Indicates the part number listed is for reference only.

## HOOD ASSEMBLIES

ITEM	PART NO.	QTY. TWIN	QTY. SINGLE	DESCRIPTION
1	34063.0000	-	1	Housing, Hood SST (All CDBC Series Except Pour in)
	34063.0001	-	1	Housing, Hood BLK (All CDBC Series Except Pour in)
	34063.0002	-	1	Housing, Hood SST CDBC w/Wide Funnel (7.625")
	02308.0000	-	6	Screw #8-32 x .375" (Hood to Trunk)
2	36757.1000	-	1	Housing, Hood SST CDBCP (Includes item 5)
	36757.1001	-	1	Housing, Hood SST CDBCP w/Flashing Light (Includes item 5)
	02308.0000	-	6	Screw #8-32 x .375" (Hood to Trunk)
3	32143.0000	-	1	Decal, "Fresh Coffee"
4	37182.0000	-	1	Shield, Circuit Board (Pour in only)
5	29314.0002	1	-	Housing, Hood SST All CDBC TWINS
	29314.0004	1	-	Housing, Hood BLK All CDBC TWINS
	02308.0000	8	-	Screw #8-32 x .375" (Hood to Trunk)



\* Indicates the part number listed is OBSOLETE.

^ Indicates the part number listed is for reference only.



## TRUNKS

ITEM	PART NO.	QTY. TWIN	QTY. SINGLE	DESCRIPTION
1	34061.1000	-	1	Trunk, SST, 11.625" Standard
	25352.0005	-	1	Trunk, BLK, 11.625" Standard
	34061.1001	-	1	Trunk, SST, 12.375" TC
	34081.1000	-	1	Trunk, SST, 18.125" APS
	23320.1002	-	1	Trunk, BLK, 18.125" APS
	32325.0000	1	-	Trunk, SST, TWIN APS
	32325.0001	1	-	Trunk, BLK, TWIN APS
	29581.0000	1	-	Trunk, SST, All Other TWINS w/1 Power Cord
	29581.0001*	1	-	Trunk, SST, All Other TWINS w/2 Power Cord (OBSOLETE)
	02308.0000	9	9	Screw #8-32 x .375"
	00970.0000	8	-	Nut, Keps #8-32 (TWIN - APS Only)
	00988.0000	7	6	Fastener, "U" Type #6-32
	2	22748.0000	-	1
22748.0001		-	1	Extension, SST, 10.5"
22748.0002		-	1	Extension, BLK, 10.5"
3	34115.0000	-	1	Channel, Cordset (Early Models 2.25" Tall)
	37930.0000	-	1	Channel, Cordset (Later Models 1.25" Tall)
	00970.0000	-	2	Nut, Keps #8-32
4	26287.0000	1	-	Bracket, Component Mounting (APS Only)
	22733.0000	-	1	Bracket, Component Mounting (APS Only)
	02308.0000	2	4	Screw #8-32 x .375"
5	27929.0000	-	2	Bracket, (APS Only)
	02308.0000	-	4	Screw #8-32 x .375"
6	00656.0000	1	1	Decal, Compliance To Plumbing Code
7	00986.0000	1	1	Decal, Warning-Electrical
8	00669.0003	-	2	Plug
9	11408.1002	-	1	Panel, SST, 11.625" Standard
	11408.1005	-	1	Panel, BLK, 11.625" Standard
	11408.1006	-	1	Panel, SST, 12.375" TC
	22730.1002	-	1	Panel, SST, 18.125" APS
	22730.1005	-	1	Panel, BLK, 18.125" APS
	22730.1003	-	1	Panel, SST, 22.125" TS
	22730.1009	-	1	Panel, BLK, 22.125" TS
	01382.0000	-	6	Screw, SST #6-32 x .375"
	01382.0002	-	6	Screw, BLK #6-32 x .375"
	26283.1000	1	-	Panel, SST, TWIN APS
	26283.1001	1	-	Panel, BLK, TWIN APS
	23267.1000	1	-	Panel, SST, All Other TWINS
	23267.1001	1	-	Panel, BLK, All Other TWINS
	01315.0000	5	-	Screw, SST #8-32 x .375" (7 Used on APS)
	01315.0005	5	-	Screw, BLK #8-32 x .375" (7 Used on APS)
10	00658.0000	1	1	Decal, Warning-Decanter/Funnel
11	37881.0000	1	1	Decal, No User Serviceable Parts

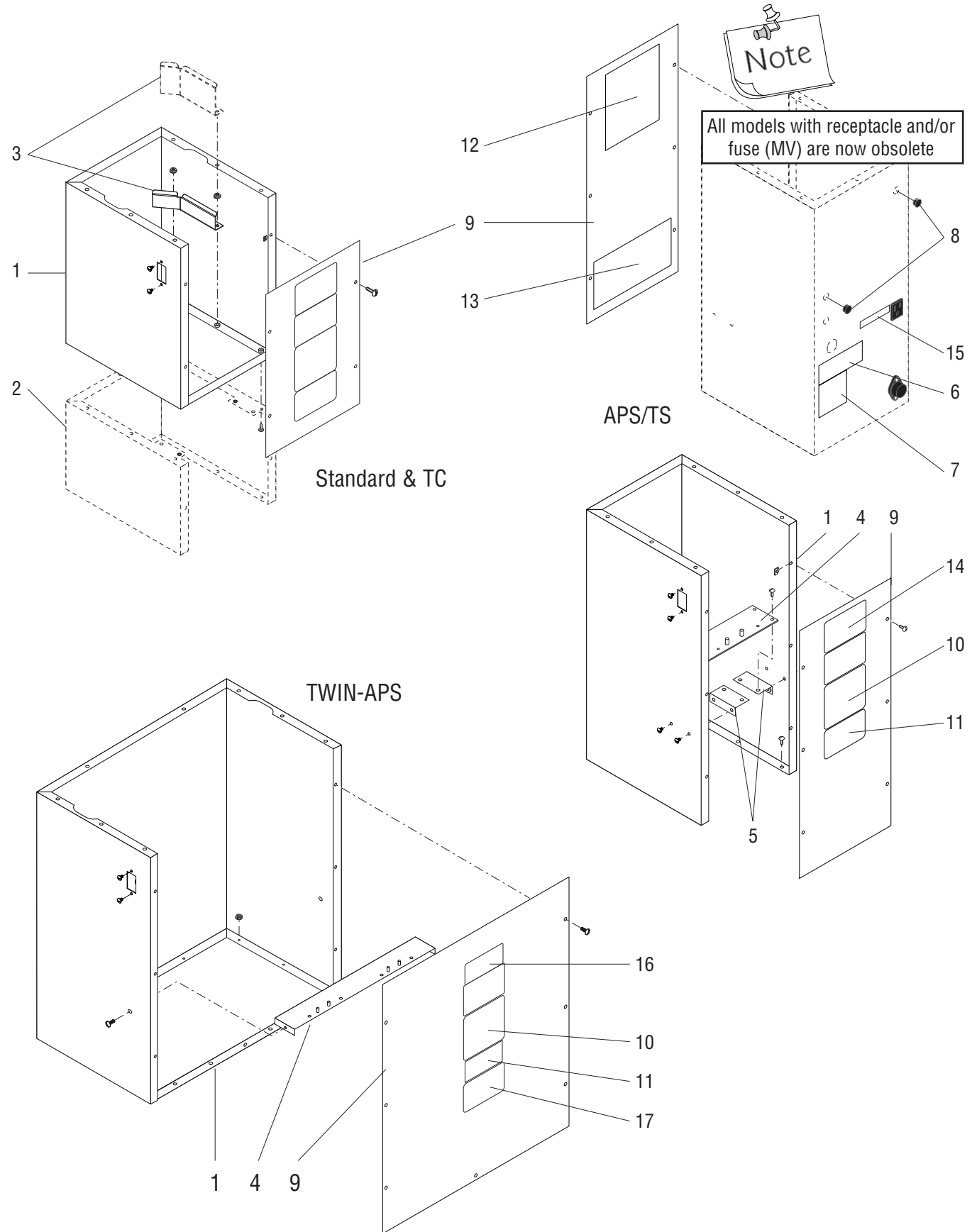


All trunks include decals  
00656.0000 & 00986.0000



All front panels include decals  
00658.0000 & 37881.0000

Continued on next page

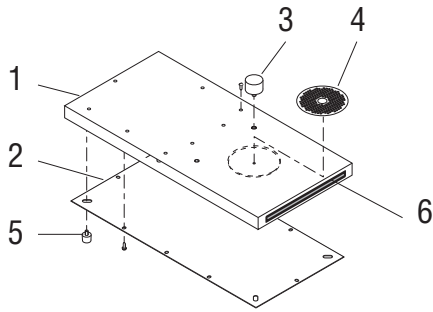


\* Indicates the part number listed is OBSOLETE.

10 ^ Indicates the part number listed is for reference only.

## TRUNKS

ITEM	PART NO.	QTY. TWIN	QTY. SINGLE	DESCRIPTION	
12	29076.0000	-	1	Schematic, CEZ-APS -15, 20, 35, 120/208-240V	
	29077.0000	-	1	Schematic, CDBC(P)-15, 20, 35, 120/208-240V	
	29077.0001	-	1	Schematic, CDBCFPDB35, 200V	
	29077.0002	-	1	Schematic, CDBCP(F) 120/208-240V (w/Freshness Light)	
	29077.0004	-	1	Schematic, CDBCFPDB, 100V	
	29077.0005	-	1	Schematic, CDBCA 230V (CE)	
	29257.0000	-	1	Schematic, CDBC-APS 15, 20, 35, 120/208-240V (w/Outlet)	
	29257.0001	-	1	Schematic, CDBC-APS/TC/TS 15, 20, 35, 120/208-240V	
	29257.0002	-	1	Schematic, CDBC-TC DV	
	29323.0000	1	-	Schematic, CDBC-TWIN 0/6	
	29323.0001	1	-	Schematic, CEZ-TWIN 0/6	
	29323.0002	1	-	Schematic, CDBC-TWIN 2/2	
	29323.0003	1	-	Schematic, CEZ-TWIN 2/2 & 4/2	
	29323.0004	1	-	Schematic, CDBC-TWIN 4/2	
	29685.0000	-	1	Schematic, CDBC MV	
	29685.0001	-	1	Schematic, CDBC-APS MV	
	29685.0002	-	1	Schematic, CDBC-DV (1425W & 1800W)	
	29685.0003	-	1	Schematic, CDBC-APS/TC DV (1425W & 1800W)	
	29685.0004	-	1	Schematic, CDBC-DV (1425W & 2268W)	
	29685.0005	-	1	Schematic, CDBC-APS/TC DV (1425W & 2268W)	
	32161.0000	1	-	Schematic, CDBC-TWIN APS	
	13	29167.0000	1	1	Decal, Brew Temp/Lockout (CEZ Only)
	14	29710.0000	-	1	Decal, Optional Field Wiring (3 Warmer) (MV Only)
29710.0004		-	1	Decal, Optional Field Wiring (APS/TC - DV Only)	
29710.0007		-	1	Decal, Optional Field Wiring (3 Warmer) (DV Only)	
15	02822.0000	-	1	Decal, 200 Watts Maximum	
16	12183.0002	1	-	Decal, 20 amp Electrical Circuit (Brewers with two Power Cords)	
17	12104.0000	1	-	Decal, Warning-Power Supply (Brewers with two Power Cords)	

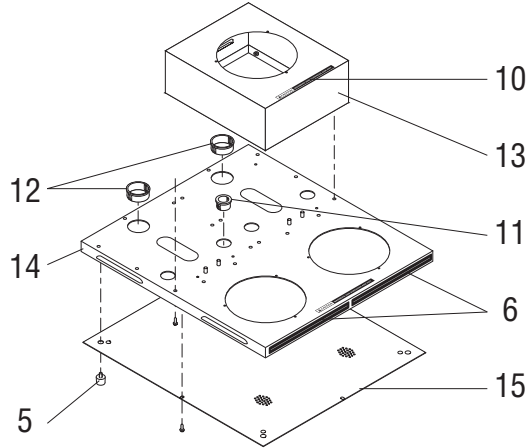


APS/TS

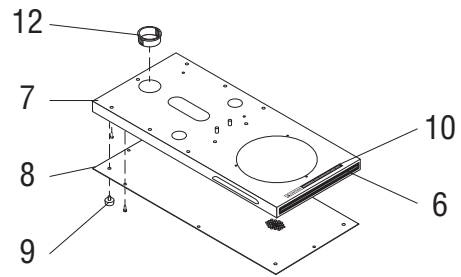


Early style APS base w/drip shield is obsolete. Illustration shown for reference only.

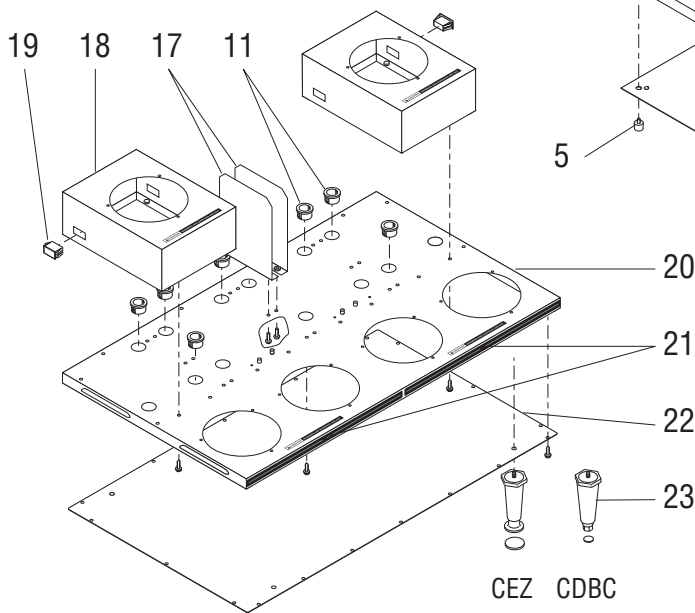
3 Lower Warmers



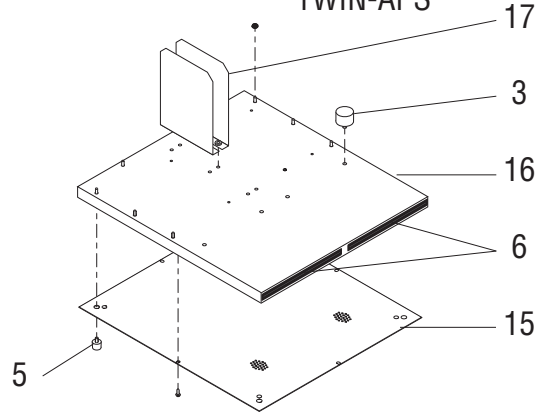
1 Lower Warmer



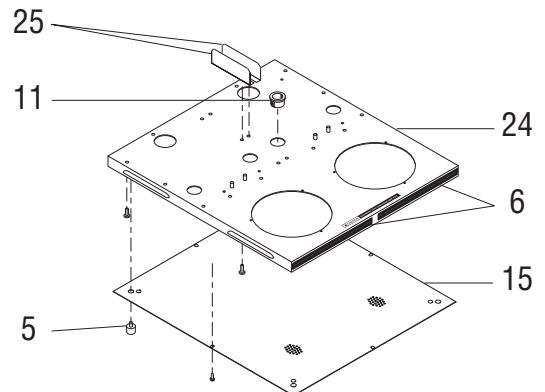
TWIN-0/6



TWIN-APS



TWIN-2/2 & 4/2



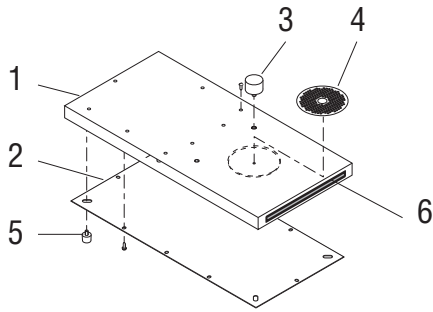
\* Indicates the part number listed is OBSOLETE.

^ Indicates the part number listed is for reference only.

## BASES

ITEM	PART NO.	QTY. TWIN	QTY. SINGLE	DESCRIPTION
1	23321.0000	-	1	Base W/decals, Sst (Includes Item 6) Aps
	23321.0001	-	1	Base W/decals, Sst (Includes Item 6) Ts
	23321.0002	-	1	Base W/decals, Sst (Includes Item 6) Aps (Ce)
	23321.0003	-	1	Base W/decals, Sst (Includes Item 6) Ts (Ce)
	23321.0004	-	1	Base W/decals, Blk (Includes Item 6) Aps
2	22999.0000	-	1	Plate, Base
	02332.0002	-	8	Screw, Hex-crimptite #6-32 X .375"
3	00754.0001	4	2	Locator
4	22740.0000	-	1	Drip Shield, (Early Models Only)
5	25137.0001	-	4	Foot .75od X .48ht X .25thd
	24600.0000	-	-	Set Of 4 Feet
6	22306.0000	2	1	Decal, Red Decorative Stripe
7	25351.0000	-	1	Base, 1 Warmer W/decals, Sst (Includes Items 6 & 10)
	25351.0001	-	1	Base, 1 Warmer W/decals, Sst (Includes Items 6 & 10) (Ce)
	25351.0002	-	1	Base, 1 Warmer W/decals, Blk (Includes Items 6 & 10)
8	24805.0000	-	1	Plate, Base 1 Warmer
	02332.0002	-	6	Screw, Hex-crimptite #6-32 X .375"
9	25137.0000	-	4	Foot .75od X .25ht X .25thd
	35712.0000	-	-	Set Of 4 Feet
10	12364.0000	#	#	Decal, Caution-warmers/surfaces Are Hot (Refer To Illustration For Qty.)
11	01592.0000	#	#	Bushing, Snap 1" (Refer To Illustration For Qty.)
12	01593.0000	#	#	Bushing, Snap 1.5" (Refer To Illustration For Qty.)
13	25658.0000	-	1	Housing, Side Warmer Sst (Includes Item 10)
	25658.0002	-	1	Housing, Side Warmer Blk (Includes Item 10)
	02308.0000	-	7	Screw, #8-32 X .375"
14	25657.0000	-	1	Base, 3 Warmers W/decals, Sst (Includes Items 6 & 10)
	25657.0001	-	1	Base, 3 Warmers W/decals, Sst (Includes Items 6 & 10) Ce
	25657.0002	-	1	Base, 3 Warmers W/decals, Blk (Includes Items 6 & 10)
15	12667.0001	-	1	Plate, Base 3 Warmers
16	26413.0000	1	-	Base W/decals, Sst (Includes Item 6) Twin-aps
	26413.0001	1	-	Base W/decals, Blk (Includes Item 6) Twin-aps
17	29822.0000	2	-	Guard, Wiring
	02308.0000	4	-	Screw, #8-32 X .375"
18	23698.1000	2	-	Housing, Side Warmer Sst (Includes Item 10)
	23698.1001	2	-	Housing, Side Warmer Blk (Includes Item 10)
	02308.0000	14	-	Screw, #8-32 X .375"
19	12921.0000	2	-	Switch Blank

Continued on next page

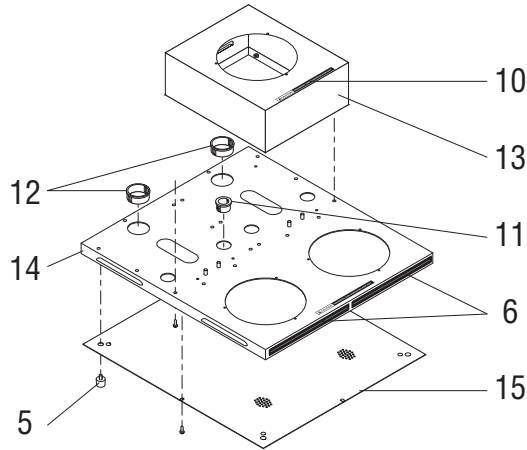


APS/TS

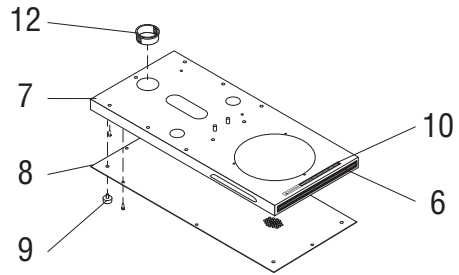


Early style APS base w/drip shield is obsolete. Illustration shown for reference only.

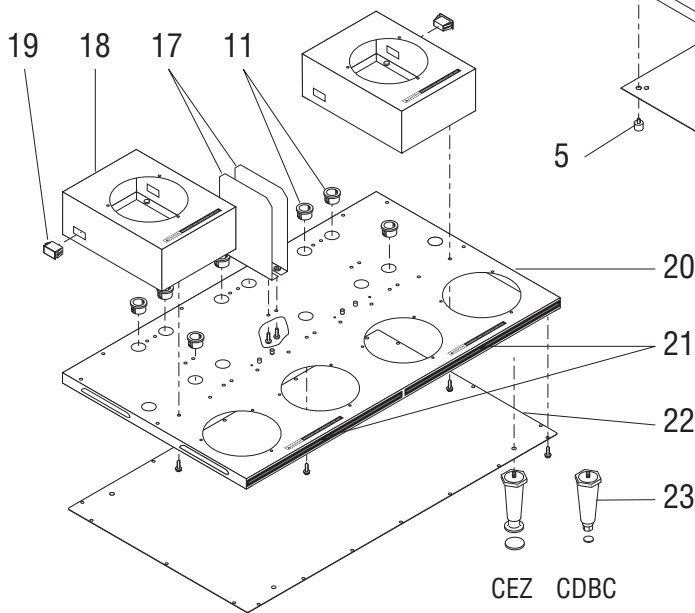
3 Lower Warmers



1 Lower Warmer

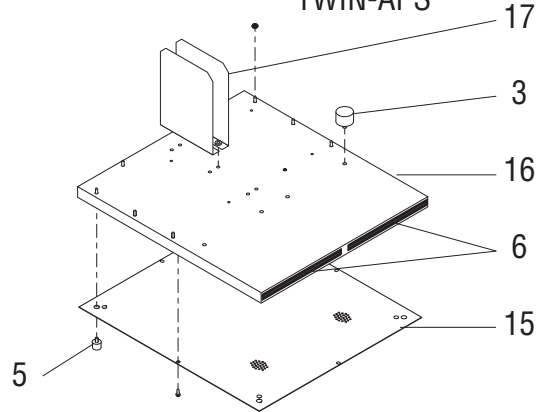


TWIN-0/6

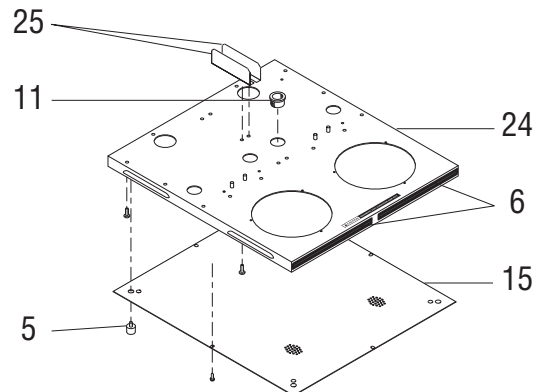


CEZ CDBC

TWIN-APS



TWIN-2/2 & 4/2

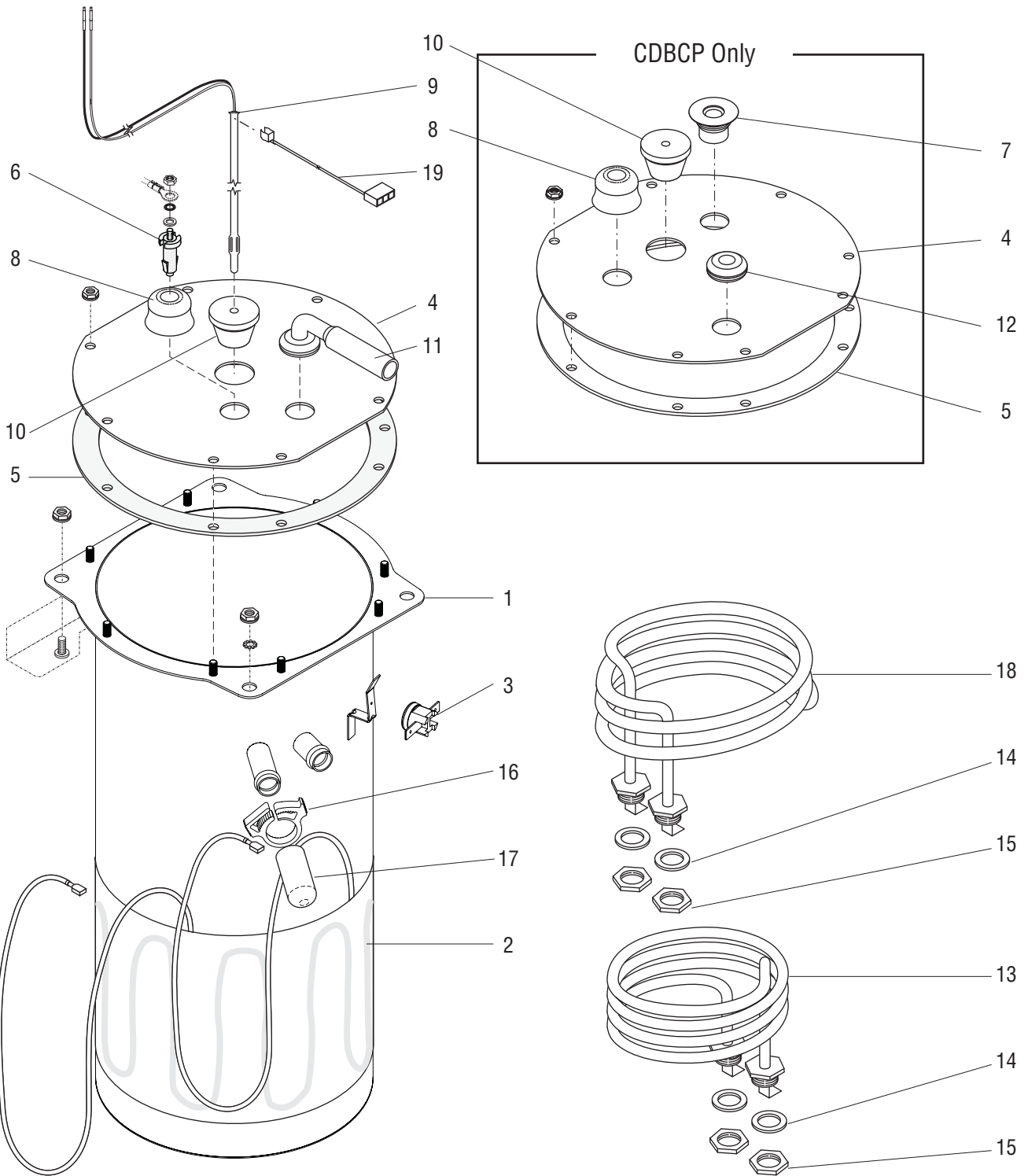


\* Indicates the part number listed is OBSOLETE.

^ Indicates the part number listed is for reference only.

## BASES

ITEM	PART NO.	QTY.		DESCRIPTION
		TWIN	SINGLE	
20	24253.0001	1	-	Base W/decals, Sst (Includes Items 10 & 21) Twin 0/6
	24253.0002	1	-	Base W/decals, Blk (Includes Items 10 & 21) Twin 0/6
	02308.0000	12	-	Screw, #8-32 X .375"
21	24230.0000	2	1	Decal, Red Decorative Stripe
22	23329.0000	1	-	Plate, Base, Twin 0/6
	02332.0002	18	-	Screw, Hex-crimptite #6-32 X .375"
23	26528.0001	4	-	Leg, 4" Adjustable, Black Plastic, .25"-20 (Cez)
	03359.0001	4	-	Leg, 4" Adjustable, Black Plastic, .25"-20 (Cdbc)
	13255.0005	-	-	Set Of 4
24	24253.0000	1	-	Base W/decals, Sst (Includes Items 6 & 10) Twin 2/2 & 4/2
	24253.0003	1	-	Base W/decals, Blk (Includes Items 6 & 10) Twin 2/2 & 4/2
	02308.0000	12	-	Screw, #8-32 X .375"
25	26953.0000	2	-	Guard, Wiring
	02308.0000	4	-	Screw, #8-32 X .375"

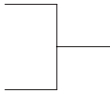


\* Indicates the part number listed is OBSOLETE.

16 ^ Indicates the part number listed is for reference only.



## TANK AND COMPONENTS

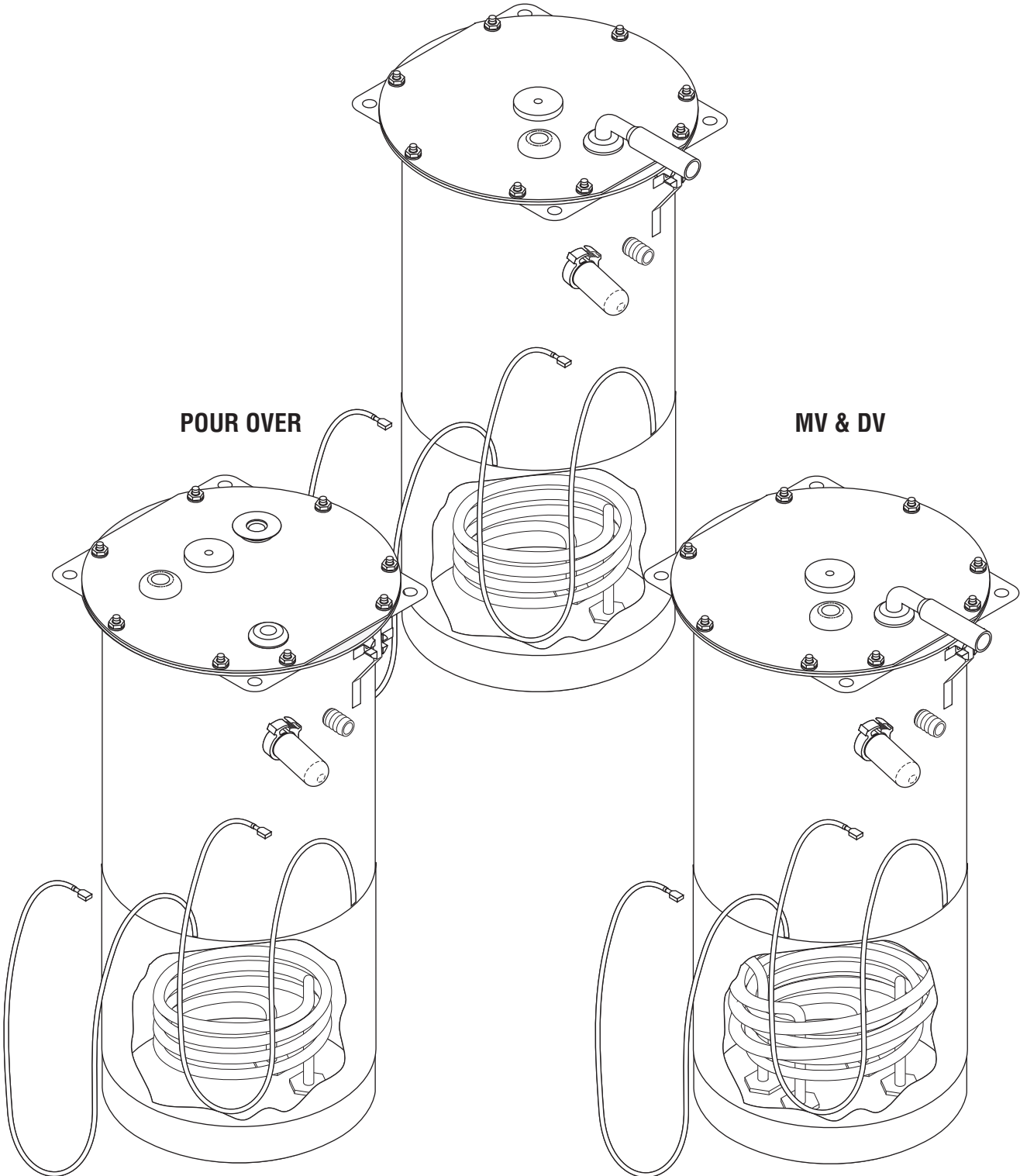
ITEM	PART NO.	QTY. TWIN	QTY. SINGLE	DESCRIPTION		
1	28731.0000	2	1	Tank, 12.25" H x 5.5" Dia. - .375" Outlets		
	28731.0001	-	1	Tank, 12.25" H x 5.5" Dia. - .375" Outlets (MV/DV Models Only)		
	33937.0002	-	1	Tank, 13" H x 6" Dia. - .5" Outlets (MV/DV Models Only)		
	33937.0003	2	1	Tank, 13" H x 6" Dia. - .5" Outlets (High Lime)		
	33937.0004	-	1	Tank, 13" H x 6" Dia. - .5" Outlets (High Lime) (MV/DV Models Only)		
	00908.0000	10	5	Nut, #8-32		
	01511.0000	2	1	Lockwasher, Ext. Tooth #8		
2	04260.0000	2	1	Blanket Warmer 50W, 120V		
	01927.0000	2	1	Blanket Warmer 50W, 220V		
	01928.0000	2	1	Blanket Warmer 50W, 240V (CE)		
3	29329.1000	2	1	Thermostat, Limit		
4	28735.0000	2	1	Tank Lid, All Models Except Pour Over		
	32138.0000	-	1	Tank Lid, (Pour Over Only)		
	00908.0000	16	8	Nut #8-32		
5	04221.0000	2	1	Gasket, Tank Lid		
6	07412.1002	2	1	Probe Kit, Liquid Level 1.25"		
7	20248.0000	-	1	Grommet, (Pour Over Only)		
8	38114.0000	2	1	Grommet, Liquid Level Probe		
9	29327.0000	2	1	Probe, Temperature Sensor 7.5"		
10	33801.0001	2	1	Grommet, Temperature Sensor		
11	38969.0001	2	1	Fitting, 90° Silicone		
12	02536.0000	2	1	Grommet		
13	02755.1000	2	1	Tank Heater 1425W, 120V (Includes item 14)		
	02756.1000	2	1	Tank Heater 1800W, 120V (Includes item 14)		
	05037.1000	2	1	Tank Heater 3500W, 240V (Includes item 14)		
	02805.1000	2	1	Tank Heater 1850W, 240V (Includes item 14)		
	29669.1000	2	-	Tank Heater 3000W, 240V (Includes item 14)		
	20942.1000	-	1	Tank Heater 3500W, 200V (Includes item 14)		
14	00943.0000	4	2	Gasket, Tank Heater		
15	00942.0000	4	2	Nut, Brass .5"-20		
16	12422.0001	1	1	Clamp, SNP - 10		Models without Faucet
17	29279.0000	1	1	Cap, Silicone		& Right Side of TWINS
18	29485.1000	-	1	Tank Heater 1800W, 120V (Includes item 14) (CEZ/CDBC MV Models)		
	29485.1001	-	1	Tank Heater 2268W, 120V (Includes item 14) (CDBC DV Models)		
19	34813.0000	2	1	Probe Clip Assembly (CDBC Only! Not For Use on CEZ)		

Continued on next page

**STANDARD**

**POUR OVER**

**MV & DV**



P3774

\* Indicates the part number listed is OBSOLETE.

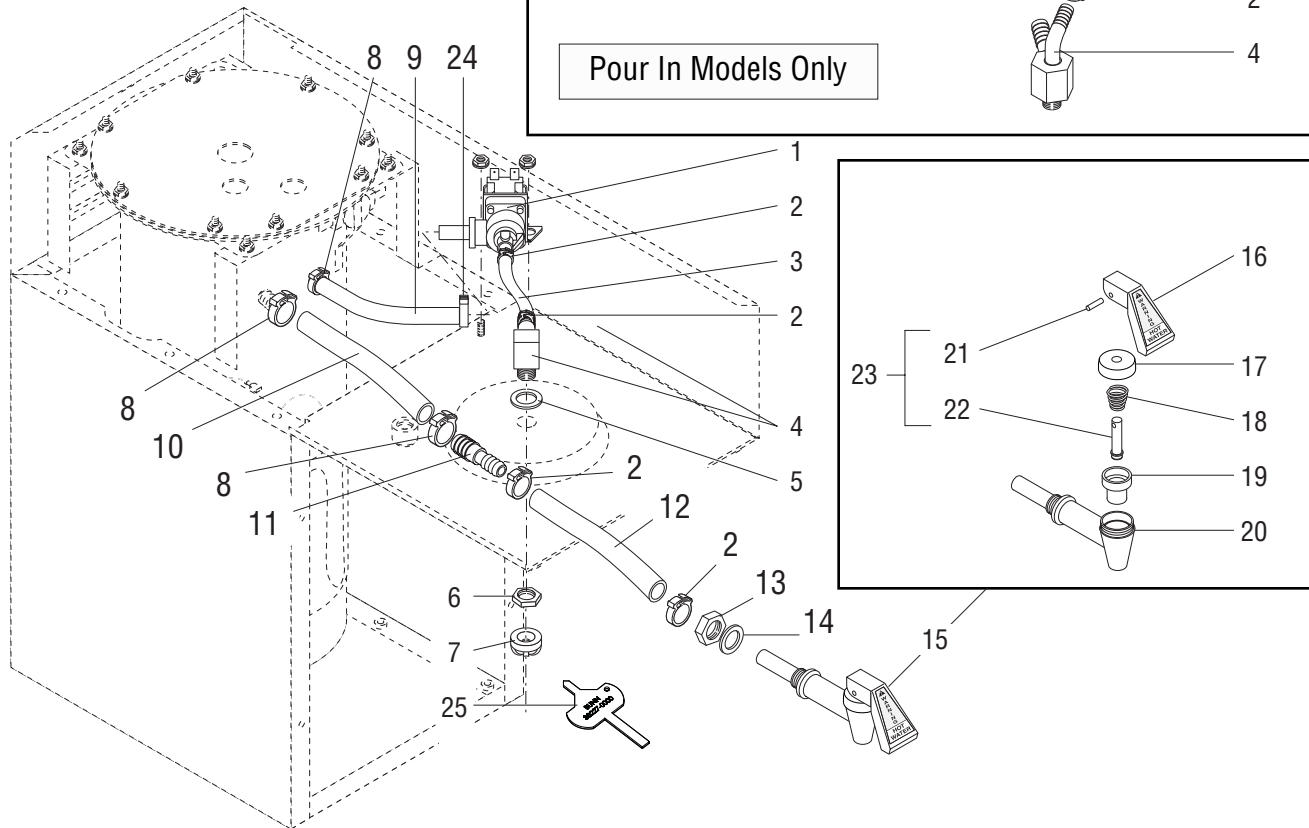
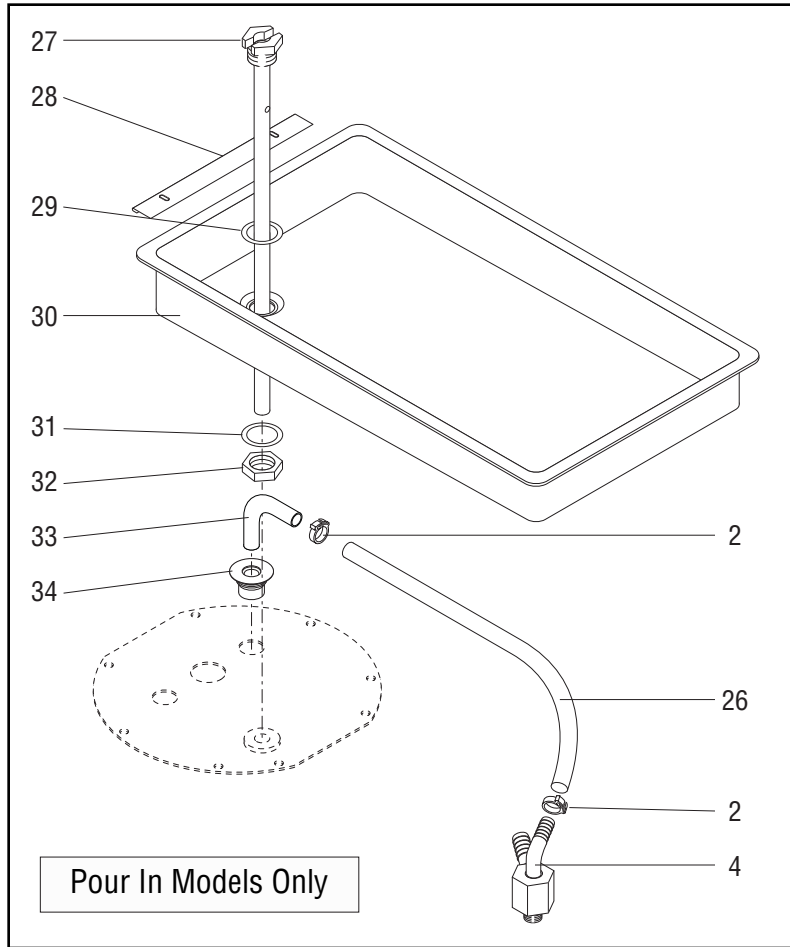
^ Indicates the part number listed is for reference only.

## TANK AND COMPONENTS

ITEM	PART NO.	QTY. TWIN	QTY. SINGLE	DESCRIPTION
20	34074.1001	-	1	Tank Kit, 1425W, 120V, (Pour Over)
	34074.1002	-	1	Tank Kit, 3500W, 200V, (Pour Over)
	34074.1003	-	1	Tank Kit, 1800W, 120V, (Pour Over)
	34074.1004	2	-	Tank Kit, 3000W, 240V, (Twin Only)
	34074.1005	2	1	Tank Kit, 1425W, 120V, (Non Pour Over)
	34074.1006	2	1	Tank Kit, 3500W, 120/240V, (Non Pour Over)
	34074.1007	-	1	Tank Kit, 3500W, 120/240V, (Pour Over)
	34074.1009	-	1	Tank Kit, 1425/2268W, (Non Pour Over-DV)
	34074.1011	-	1	Tank Kit, 1425/1800W, (Non Pour Over-MV)
	34074.1016	-	1	Tank Kit, 1850W, 240V CE (Pour Over)
	34074.1018	-	1	Tank Kit, 3500W, 240V CE (Non Pour Over)
	34074.1025	-	1	Tank Kit, 1850W, 240V CE (Non Pour Over)

**Refer to chart below for additional information.**

Kit Number	Description	Tank Used	Heater(s) P/N	Blanket	Models
34074.1001	1425W 120V <b>Pour Over</b>	33937.0003	02755.1000	04260.0000	CDBCP
34074.1002	3500W 200V <b>Pour Over</b>	33937.0003	20942.1000	01927.0000	CDBCP
34074.1003	1800W 120V <b>Pour Over</b>	33937.0003	02756.1000	04260.0000	CDBCP
34074.1004	3000W 240V <b>Non P-O</b>	33937.0003	29669.1000	04260.0000	CEZ/CDBC/TWIN/APS
34074.1005	1425W 120V <b>Non P-O</b>	33937.0003	02755.1000	04260.0000	CEZ/CDBC/APS
34074.1006	3500W 120/240V <b>Non P-O</b>	33937.0003	05037.1000	04260.0000	CDBC/TWIN/APS
34074.1007	3500W 120/240V <b>Pour Over</b>	33937.0003	05037.1000	04260.0000	CDBCP
34074.1009	1425/2268W 120V	33937.0004	02755.1000 29485.1001	04260.0000	CDBC- <b>DV</b>
34074.1011	1425/1800W 120V	33937.0004	02755.1000 29485.1000	04260.0000	CEZ/CDBC- <b>MV</b>
34074.1016	1850W 240V <b>Pour Over</b>	33937.0003	02805.1000	01928.0000	CDBCA (CE)
34074.1018	3500W 240V <b>Non P-O</b>	33937.0003	05037.1000	01927.0000	CDBCA TC/APS (CE)
34074.1025	1850W 240V <b>Non P-O</b>	33937.0003	02756.1000	01927.0000	CDBCA TC/APS (CE)



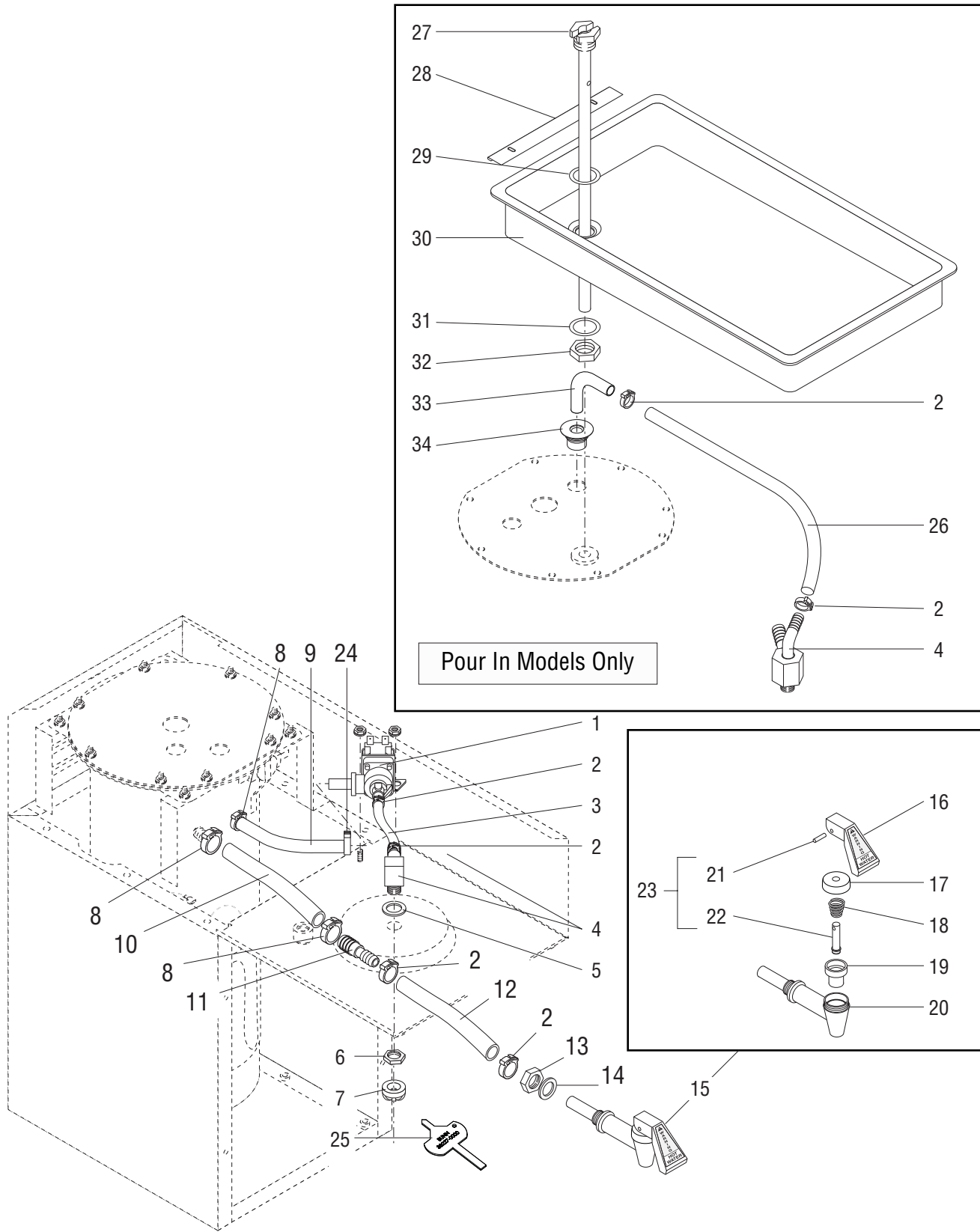
\* Indicates the part number listed is OBSOLETE.

20 ^ Indicates the part number listed is for reference only.

## DISPENSE VALVE, SPRAYHEAD, & FAUCET

ITEM	PART NO.	QTY.		DESCRIPTION
		TWIN	SINGLE	
1	27370.0000	2	1	Valve, Dispense (120v)
	27370.0001	2	1	Valve, Dispense (200v)
	27370.0002	2	1	Valve, Dispense (240v)
	00970.0000	4	2	Nut, KEPS #8-32
	11517.0008	-	-	Repair Kit, Dispense Valve (Includes Plunger, Spring and Diaphragm)
2	12422.0001	8	4	Clamp, SNP - 10 (2 Additional used in Pour In Models)
3	20976.0008^	2	1	Tube .375" ID x 1.625" (Order item 36)
4	39149.0000	2	1	Fitting
	28747.0001	-	1	Fitting (Pour In Models Only)
5	00943.0000	2	1	Gasket
6	01075.0000	2	1	Nut, Hex .438"-20
7	02795.0004	2	1	Sprayhead, High Lime (Blue w/center hole)
8	12422.0009	2	2	Clamp, SNP - 14
9	39331.0000^	1	1	Tube, Tank To Dispense Valve, .5" ID x 5"
	39331.1000	-	-	Tube, .5" ID x 12" (Use as required)
	39331.1001	-	-	Tube, .5" ID x 60" (Use as required)
	39331.1002	-	-	Tube, .5" ID x 120" (Use as required)
				} This Application Only
10	32591.0002^	1	1	Tube, Tank To Reducer, .5" ID x 6.5" (Order item 37)
11	36099.0000	1	1	Reducer, .5" x .375"
12	20976.0046^	1	1	Tube, Reducer To Faucet, .375" ID x 5" (Order item 36)
13	29264.0000	1	1	Nut, Hex .5"-20 UNF
14	01544.0000	1	1	Washer, .5" ID x .75" OD
15	29075.0000	1	1	Faucet Assembly. (Includes items 16 thru 22)
16	02861.0003	1	1	Handle, Red
17	02854.0000	1	1	Bonnet
18	02595.0000	1	1	Spring
19	02766.0000	1	1	Cup
20	02856.0005^	1	1	Faucet Body (Order item 15)
21	02858.0000	1	1	Pin, Spring
22	13054.0000	1	1	Stem
23	02594.0000	1	1	Faucet Stem w/Pin (Includes items 21 and 22)
24	12422.0005	4	2	Clamp, SNP - 12
25	38227.0000	1	1	Sprayhead Cleaning Tool

Continued on next page



Pour In Models Only

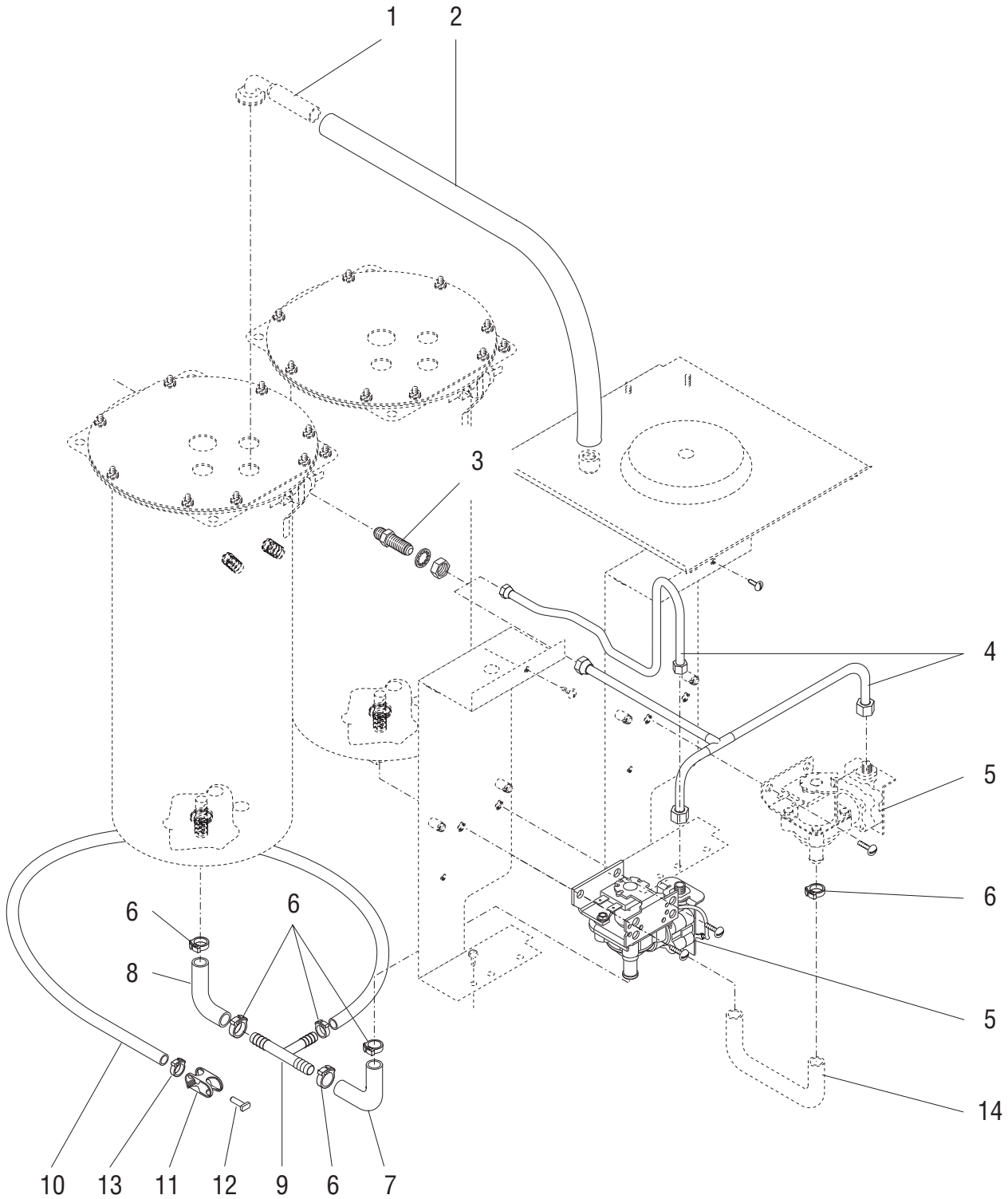
\* Indicates the part number listed is OBSOLETE.      ^ Indicates the part number listed is for reference only.

**DISPENSE VALVE, SPRAYHEAD, & FAUCET**

ITEM	PART NO.	QTY.	QTY.	DESCRIPTION
		TWIN	SINGLE	
26	28526.0018^	-	1	Tube, Syphon, .313" ID x 12.25" (Order item 35)
27	34097.0000	-	1	Tube, Water Inlet
28	11424.0000	-	1	Plate, Splash Guard
29	01540.0000	-	1	Washer, SST .75" ID x 1.0" OD
30	04270.0000	-	1	Fill Basin
31	01537.0000	-	1	Washer, Nylon .75" ID x 1.0" OD
32	00957.0000	-	1	Nut, Hex .75"-16
33	03102.0000	-	1	Elbow, 90° .375" OD
34	20248.0000	-	1	Grommet, Syphon
35	28526.1001	-	-	Tube, .313" x 36" (Use as required)
	28526.1002	-	-	Tube, .313" x 60" (Use as required)
	28526.1003	-	-	Tube, .313" x 120" (Use as required)
36	20976.1000	-	-	Tube, .375" ID x 12" (Use as required)
	20976.1001	-	-	Tube, .375" ID x 36" (Use as required)
	20976.1002	-	-	Tube, .375" ID x 120" (Use as required)
37	32591.1001	-	-	Tube, .5" ID x 12" (Use as required)
	32591.1002	-	-	Tube, .5" ID x 36" (Use as required)

\* Indicates the part number listed is OBSOLETE.

^ Indicates the part number listed is for reference only.



P3776.7

\* Indicates the part number listed is OBSOLETE.

^ Indicates the part number listed is for reference only.

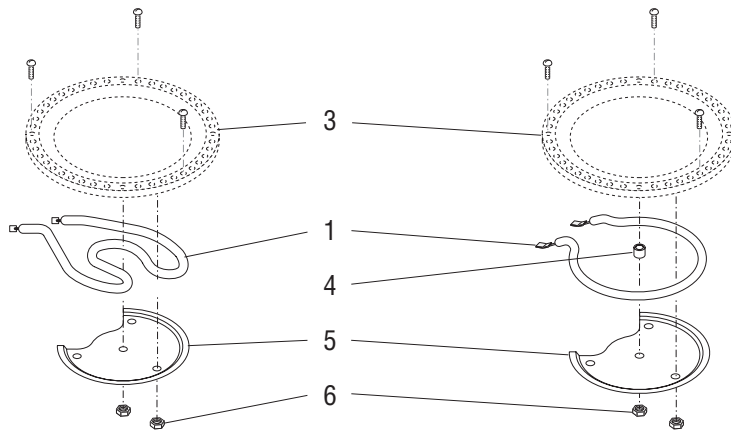
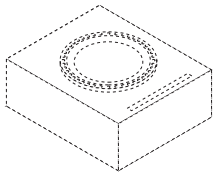
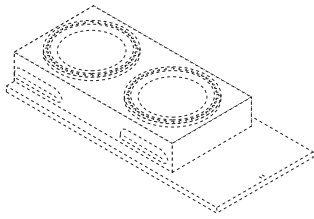


## FILL SOLENOID VALVE AND DRAIN

ITEM	PART NO.	QTY. TWIN	QTY. SINGLE	DESCRIPTION
1	38969.0001	2	1	Fitting, 90° Silicone
2	32591.0012^ 32591.0013^	2 -	- 1	Tube .5" x 8.25" (Order item 18) (TWIN) Tube .5" x 7" (Order item 18) (Single)
3	00459.0000 01532.0000 00463.0000	1 1 1	1 1 1	Fitting, Bulkhead 1/4" Flair Lockwasher, Int. Tooth .438" Nut, Hex .438"-20
4	29065.0000 29486.0000	- 1	1 -	Tube, Bulkhead to Solenoid (Single) Tube, Bulkhead to Solenoid (TWIN)
5	28750.0000 28750.0001 28750.0002 28750.0003 02325.0001 39975.0000 39975.0001 39975.0002 39975.0003 39975.0004	2 2 2 2 4 - - - - -	1 1 1 1 2 - - - - -	Solenoid Assy (120v) Solenoid Assy (230v) Solenoid Assy (100v) Solenoid Assy (200v) Screw .25"-20 x .313" Solenoid Repair Kit (Includes Guide, Spring, Armature & Diaphragm) Guide Spring Armature (Plunger) Diaphragm
				} Repair Kit
6	12422.0001	10	5	Clamp, SNP - 10
7	20976.0010^	2	1	Tube, Tee To Valve, .375"ID x 3.375" (Order item 17)
8	20976.0042^	2	1	Tube, Tee To Tank, .375"ID x 4" (Order item 17)
9	38948.0001	2	1	Tee, Plastic .375" x .375" x .375"
10	28526.0009^	2	1	Tube, Drain, .313" x 24" (Order Item 16)
11	11630.0001	2	1	Clamp, Shut Off
12	32098.0000	2	1	Plug
13	12422.0006	2	1	Clamp, SNP - 8
14	20976.0005^	2	1	Tube, Tank To Valve, .375"ID x 7.5" (Models with w/o Drain) (Order # 17)
The Following Items Are Not Illustrated				
15	35116.0000	2	1	Kit, Tank Drain (Includes items 7 - 14)
16	28526.1001 28526.1002 28526.1003	- - -	- - -	Tube, .313" x 36" (Use as required) Tube, .313" x 60" (Use as required) Tube, .313" x 120" (Use as required)
17	20976.1000 20976.1001 20976.1002	- - -	- - -	Tube .375" ID x 12" (Use as required) Tube .375" ID x 36" (Use as required) Tube .375" ID x 120" (Use as required)
18	32591.1001 32591.1002	- -	- -	Tube .5" ID x 12" (Use as required) Tube .5" ID x 36" (Use as required)

**UPPER & SIDE HOUSING WARMERS**

**(A)**

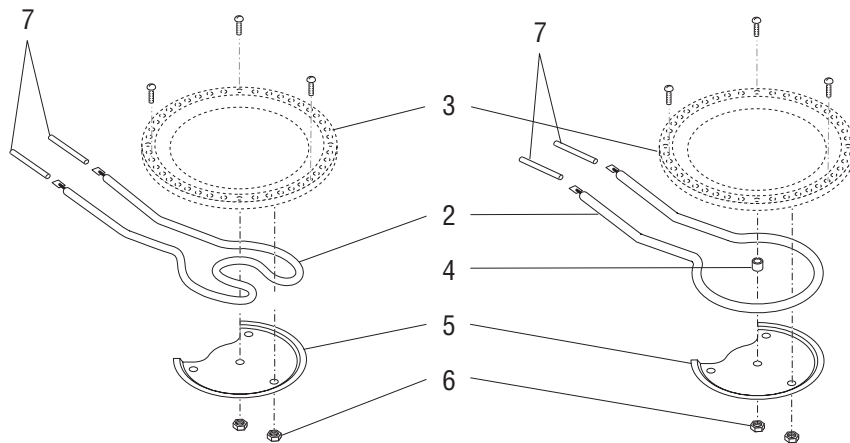
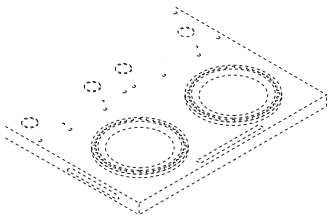
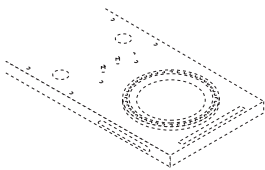


'A' & 'B' MODELS ONLY

120V & 120/240V MODELS ONLY

**BASE WARMERS**

**(B)**



'A' & 'B' MODELS ONLY

120V & 120/240V MODELS ONLY

\* Indicates the part number listed is OBSOLETE.

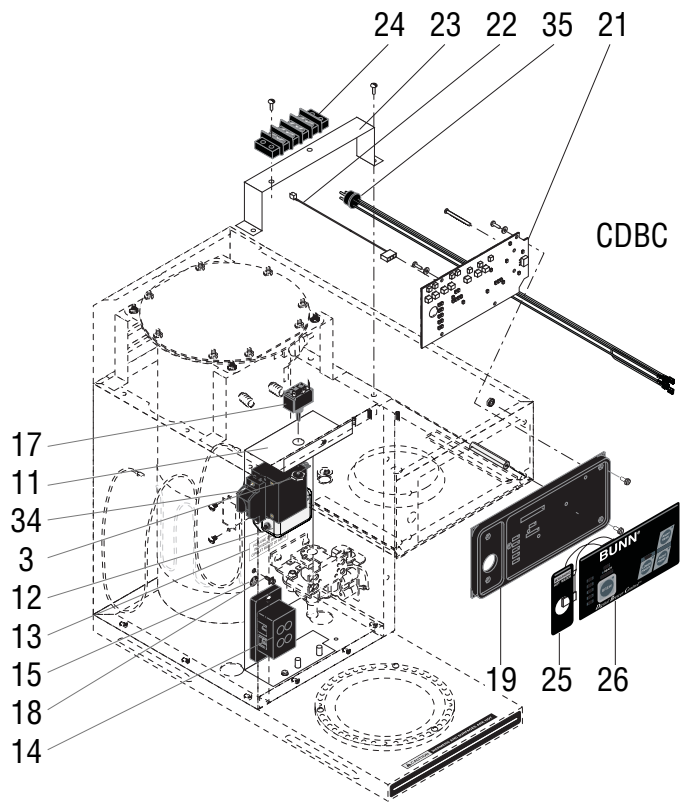
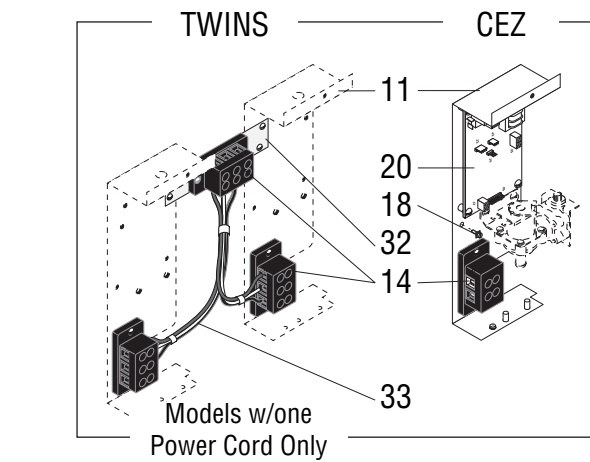
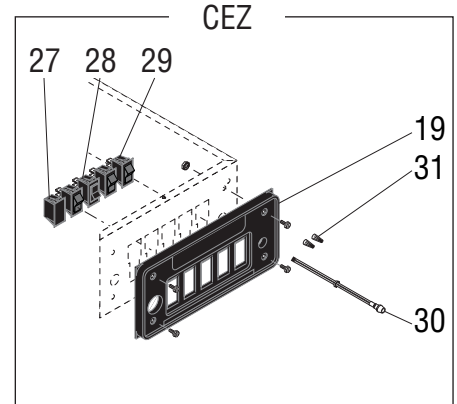
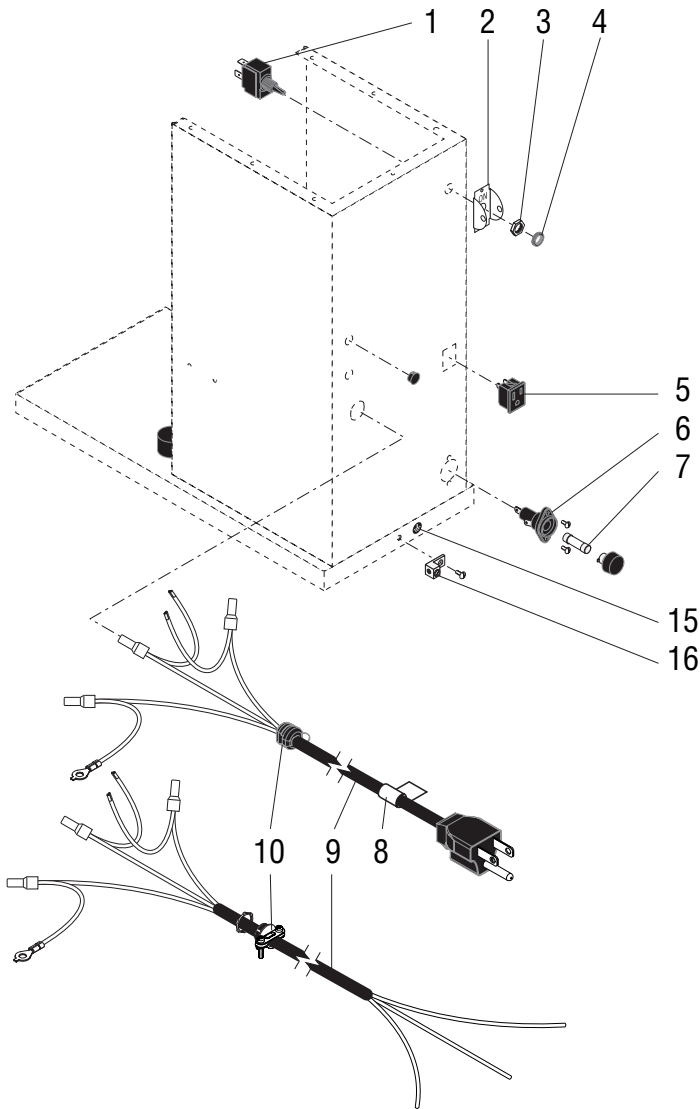
^ Indicates the part number listed is for reference only.

## WARMER ASSEMBLIES

ITEM	PART NO.	QTY. TWIN	QTY. SINGLE	DESCRIPTION	
A	03652.0000	1		Warmer Assembly 120V, Top & Side Warmers (Includes items 1, & 3 - 6)	
	11440.0009	1		Warmer Assembly 220V, Top & Side Warmers (Includes items 1, 3, 5, & 6)	
	11440.0011	1		Warmer Assembly 200V, Top & Side Warmers (Includes items 1, 3, 5, & 6)	
	01303.0000	3		Screw, Pan Head - SST #4-40 x .5"	
	00916.0000	3		Fastener, J-Type #4-40	
	1	01227.0000	1		Warmer Element 120V Top & Side Warmers
		01951.0000	1		Warmer Element 220V Top & Side Warmers ("A" Models)
		01951.0001	1		Warmer Element 200V Top & Side Warmers ("B" Models)
	B	11440.0005	1		Warmer Assembly 120V, Base Warmers (Includes items 2-7)
		11440.0008	1		Warmer Assembly 220V, Base Warmers (Includes items 2, 3, 5, & 6)
11440.0010		1		Warmer Assembly 200V, Base Warmers (Includes items 2, 3, 5, & 6)	
01303.0000		3		Screw, Pan Head - SST #4-40 x .5"	
00916.0000		3		Fastener, J-Type #4-40	
2		11442.0000	1		Warmer Element 120V Base Warmers
		11438.0000	1		Warmer Element 220V Base Warmers ("A" Models)
		11438.0001	1		Warmer Element 200V Base Warmers ("B" Models)
3		03656.0000	1		Warmer Dish, Blk 45 Hole
4		13042.0001	1		Spacer, (120V Models Only)
5	05212.0000	1		Plate, Element Retaining	
6	00970.0000	2		Nut, Keps #8-32	
7	04828.0001^	2		Tube, Silicone .25" Dia x 1.875" LG. (Order Item 8)	
<b>The Following Items Are Not Illustrated</b>					
8	04828.1001	-		Tube, Silicone .25" Dia. x 24" LG (Use as required)	
9	24785.0002	1		Galley Kit, "C" Series, 3 Warmers	



All warmers listed above are rated @ 100 watts



P3777.4

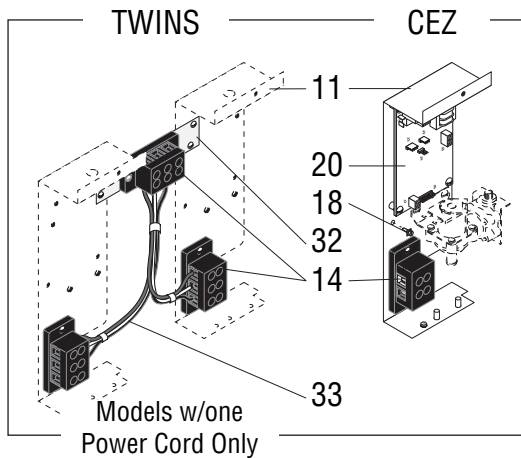
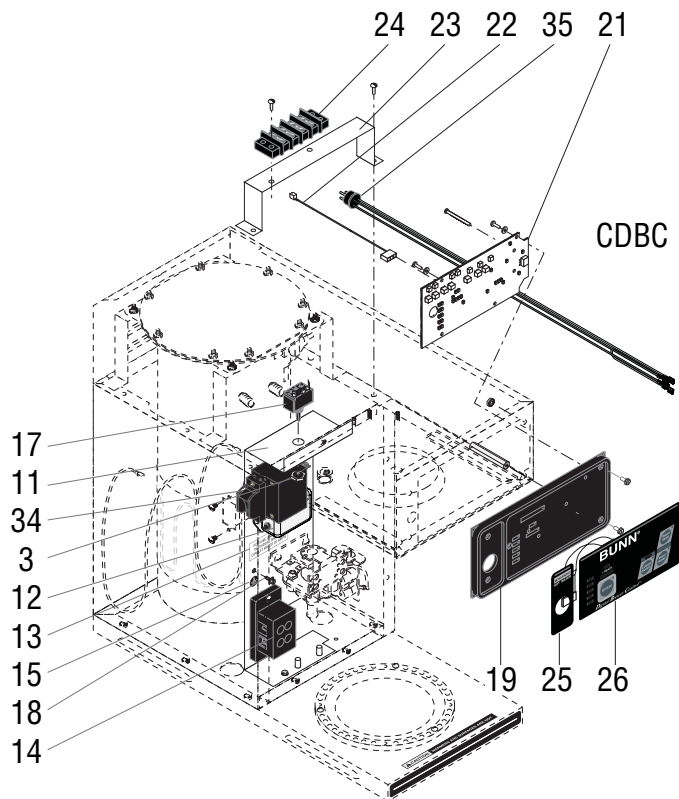
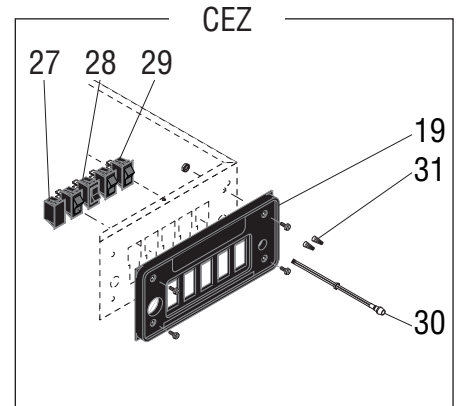
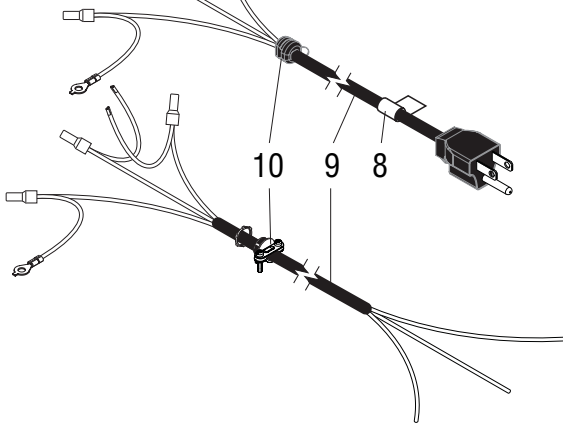
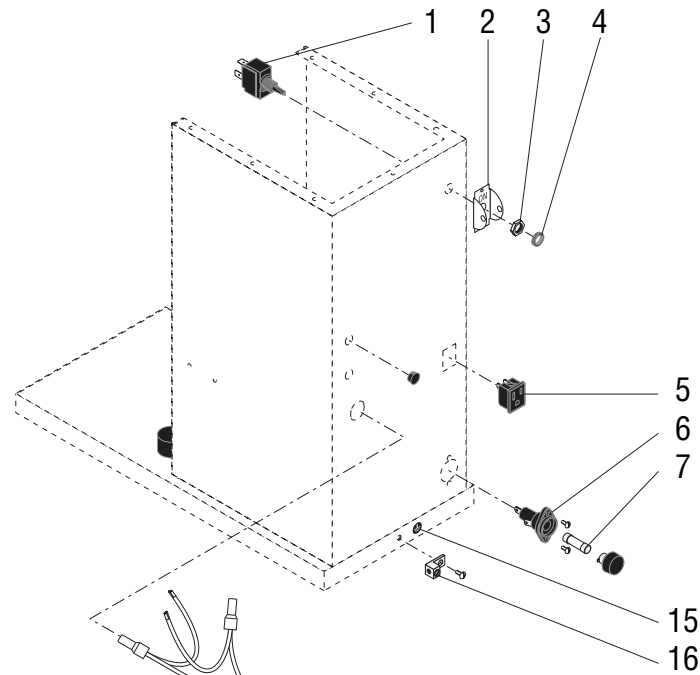
\* Indicates the part number listed is OBSOLETE.

^ Indicates the part number listed is for reference only.

## ELECTRICAL AND OPERATING CONTROLS

ITEM	PART NO.	QTY.		DESCRIPTION
		TWIN	SINGLE	
1	23522.0000	-	1	Toggle Switch, (Heater, SPST 20 amp) (Includes Hex Nut)
2	25102.0000	-	1	Bracket, Switch Guard
3	23696.0000	-	1	Hex Nut
4	23697.0000	-	1	Plastic Face Nut
5	03628.0000	-	1	Receptacle, Grounded
6	28176.0000	-	1	Fuse Holder
	02308.0000	-	2	Screw, Pan Head #8-32 x .375"
7	22012.0002	-	1	Fuse, 20 amp
8	06064.0000	-	1	Label, Cord Warning
9	01719.1000	-	1	Power Cord Assy. (Includes Label) (120V 15A Models only)
	38074.0000	-	1	Power Cord Assy. 230V (CE - Only)
10	01686.0000	-	1	Bushing, Strain Relief (120V 15A Models only)
	01685.0000	-	1	Bushing, Strain Relief (200V-240V Models)
	01590.0000	1	-	Connector, Power Cord (2 Used on 2 Cord TWIN's)
11	28740.0000	2	1	Bracket, DV Component Mounting (Early Style CEZ No Longer Available)
	02308.0000	2	1	Screw, Pan Head #8-32 x .375"
	02332.0001	2	1	Screw, Hex CrimpTite #6-32 x .25"
12	29446.0004	-	1	EMI Filter 250V 10 Amp (CE Only)
	01315.0000	-	2	Screw, Truss Head #8-32 x .375"
13	00985.0000	2	1	Decal, Individual Circuit Info
14	01106.0000	-	1	Terminal Block, 2-pole 120V (Black-White)
	01106.0001	-	1	Terminal Block, 2-pole 240V (Black-Red)
	01106.0003	-	1	Terminal Block, 2-pole 230V (Brown-Blue) (CE)
	07038.0000	3	1	Terminal Block, 3-pole 120/240V (Black-White-Red)
	01317.0000	4	2	Screw #8-32 x .5"
15	00824.0000	2	#	Decal, Ground (1 Additional On CE Models)
16	27705.0000	-	1	Terminal Lug (CE)
	01327.0000	-	1	Screw, PNH 10-32 x .375"
17	23522.0001	-	1	Toggle Switch, (DV, SPDT 20 amp) (Includes Hex Nut)
18	01309.0000	2	1	Screw, Grounding #10-32 x .5"
19	29008.0000	2	1	Front End Cap (CDBC)
	29082.0000	8	4	Screw, Hex #6-32 x .5"
	00973.0000	6	3	Nut, KEPS #6-32
	29263.0000	2	1	Nut, Stand Off #6-32
	13352.0008	2	1	Front End Cap (CEZ)
	02301.0000	8	4	Screw, Pan Head #6-32 x .625"
	00973.0000	8	4	Nut, KEPS #6-32
20	28742.1000	2	1	PC Control Board (CEZ)
	02302.0000	8	4	Screw, RDH #6-32 x .875"
	29081.0001	8	4	Spacer, Board Mounting

Continued on next page



P3777.4

\* Indicates the part number listed is OBSOLETE.

^ Indicates the part number listed is for reference only.

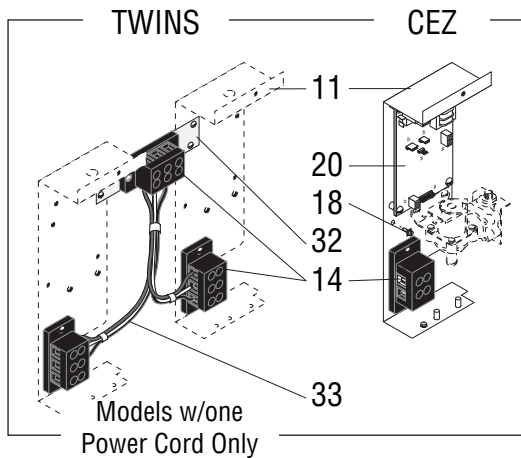
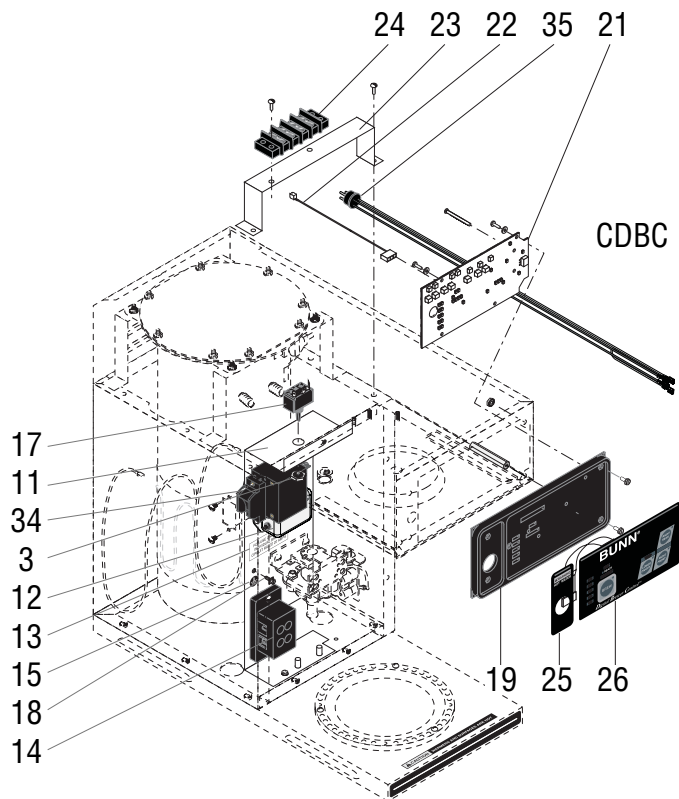
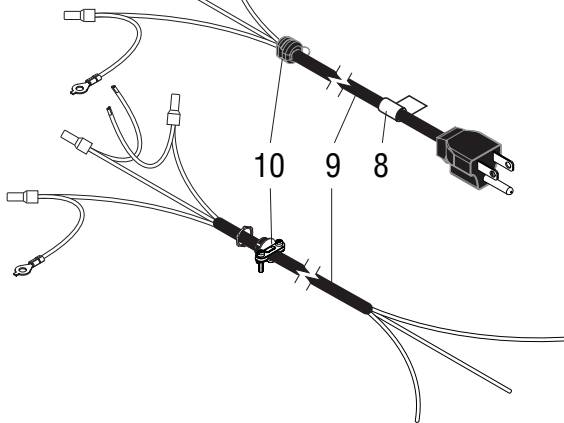
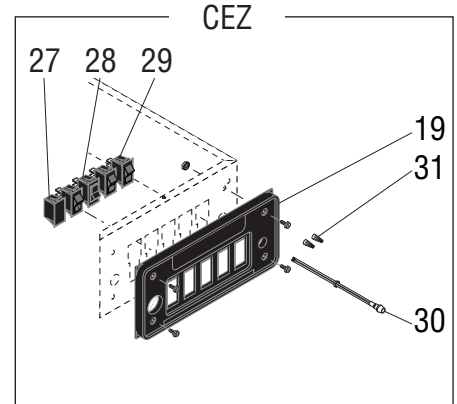
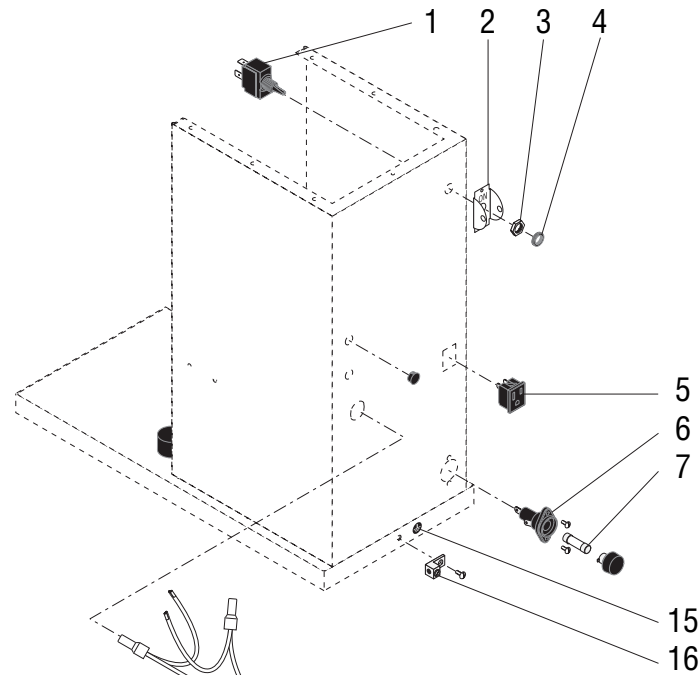
## ELECTRICAL AND OPERATING CONTROLS

ITEM	PART NO.	QTY.		DESCRIPTION	
		TWIN	SINGLE		
21	28975.1000	2	1	PC Board Kit, 100V-120V (APS & 0-5 Warmer Models)	
	28975.1001	-	1	PC Board Kit, 100V-120V (CDBCFCP w/40 Minute Flashing LED)	
	28975.1002	-	1	PC Board Kit, 100V-120V (w/15 Minute Shut Off)	
	28975.1004	2	1	PC Board Kit, 200V-240V (APS & 0-5 Warmer Models)	
	38956.1000	2	1	PC Board Kit, 200V-240V (APS & 0-5 Warmer Models) RoHS Compliant	
	02362.0000	4	2	Screw, PNH #4-40 x 1.25"	} Included in PC Board Kits
	38044.0000	8	4	Screw, PNH Plastite #6 x .375"	
01518.0000	8	4	Washer, Nylon #6		
22	34813.0000	2	1	Probe Clip Assembly (NOT FOR USE ON CEZ)	
23	29673.0000	-	1	Bracket, Term. Block Mounting	} MV Models Only
24	28177.0000	-	1	Terminal Block	
	01317.0000	-	2	Screw #8-32 x .5"	
25	29007.0000	1	1	Decal, HOT WATER (Models w/faucet)	
	29265.0000	1	1	Decal, Faucet Hole Cover (Models w/o faucet)	
26	29006.0001	2	1	Membrane Switch (3 Left Warmers)	
	29006.0002	2	1	Membrane Switch (3 Right Warmers)	
	29006.0003	2	1	Membrane Switch (1 LWR/2 UPR)	
	29006.0004	-	1	Membrane Switch (1 LWR Only)	
	29006.0005	2	1	Membrane Switch (1 LWR/1 UPR)	
	29006.0012	-	1	Membrane Switch (1 LWR/2 UPR) CE	
	29006.0013	-	1	Membrane Switch (3 Right Warmers) CE	
	29006.0014	-	1	Membrane Switch APS (No Warmers) CE	
	29006.0018	2	1	Membrane Switch APS (No Warmers)	
27	12921.0000	2	1	Switch Blank, Black	
28	01063.0000	2	1	Switch, Momentary Start	
29	12920.0000	6	3	Switch, On/Off	
30	12517.0001	2	1	Green LED Kit (Includes Wire Nuts)	
31	03851.0000	4	2	Wire Nut, 2-22 AWG	
32	23376.0000	1	-	Bracket, Term. Block Mounting	
	02308.0000	3	-	Screw, Pan Head #8-32 x .375"	
33	29484.0000	1	-	Wiring Harness, Terminal Block (Models w/one Power Cord Only)	
	29484.0001	1	-	Wiring Harness, Terminal Block (Models w/one Power Cord & Switch)	
34	38894.0001	1	1	Switch, On/Off (Models w/o 120V Power Cord)	
	01308.0002	2	2	Screw, TRH #6-32 x .25"	
35	02812.0001	-	1	Wiring Harness, (P1,2,3) to Top Warmers CDBC/CEZ	
	24204.0000	1	1	Wiring Harness, (P1,2,3) to Left Side Warmers CDBC-35 & 0/6 4/2 TWIN	
	24204.0001	1	1	Wiring Harness, (P1,2,3) to Right Side Warmers CDBC-15/35 & 0/6 4/2	
	25348.0002	2	1	Wiring Harn, Top Warmers CDBC-35 (1 Top Warmer) & 2/2 TWIN	

The Following Items Are Not Illustrated

36	20555.0011	2	1	Red LED Kit, CDBCFCP w/FL. LED	
37	21016.0011	-	1	Lead, Grn/Yel, 15" LG (CE)	CDBCFC-35 & CDBCFA
	21016.0027	-	2	Lead, Grn/Yel, 26" LG (CE)	CDBCFC-35 & CDBCFA
38	28743.0000	2	1	Wiring Harness, Level Probe to Board	CDBC

Continued on next page



\* Indicates the part number listed is OBSOLETE.

^ Indicates the part number listed is for reference only.

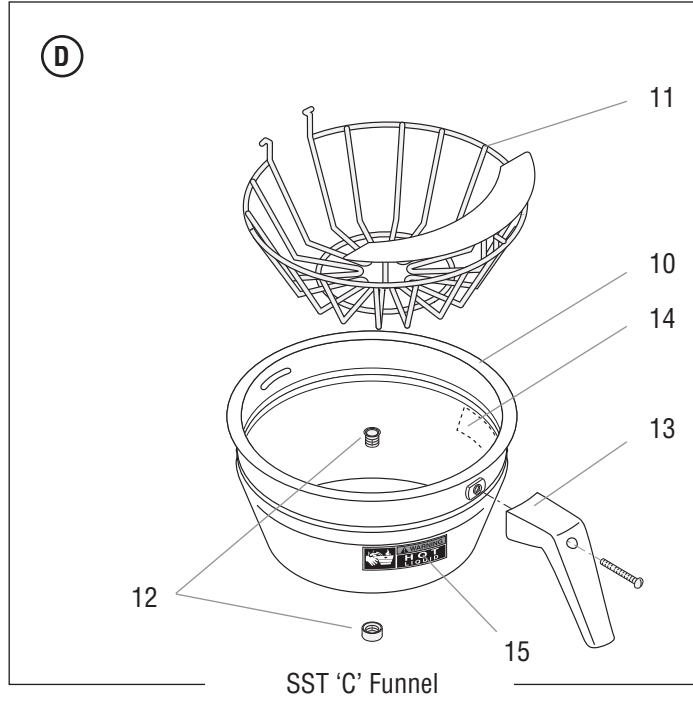
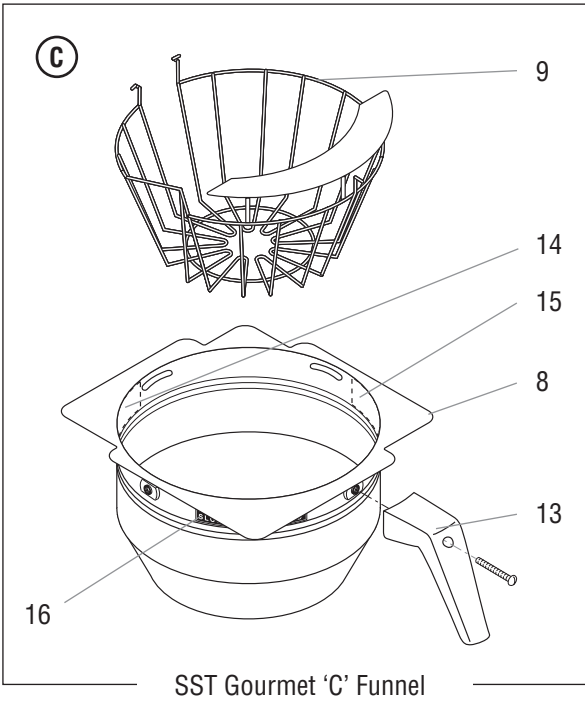
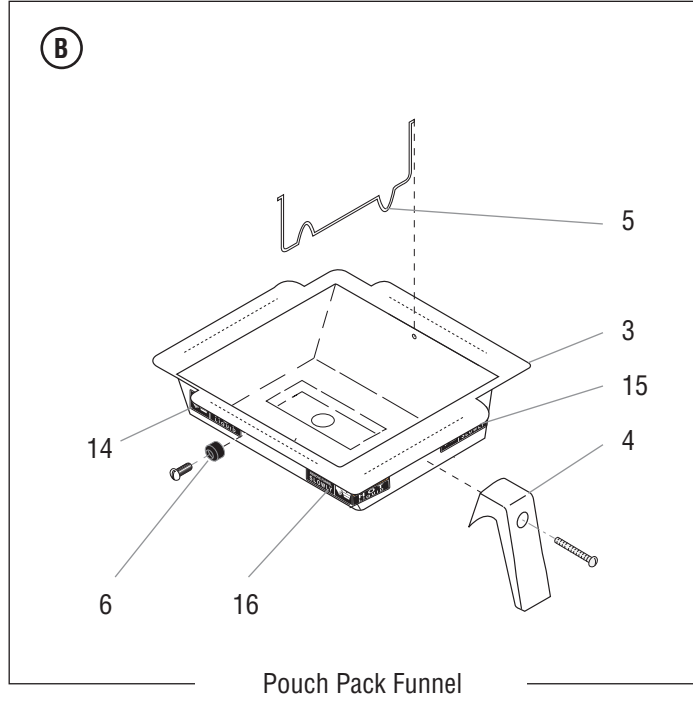
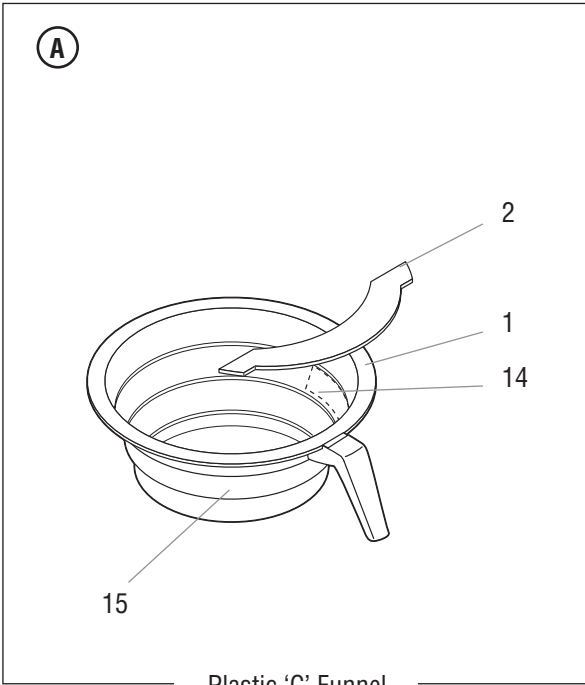


## ELECTRICAL AND OPERATING CONTROLS

ITEM	PART NO.	QTY.		DESCRIPTION	
		TWIN	SINGLE		
39	29072.0000	-	1	Wiring Harness, Main w/3 Warmers	CDBC-15
40	29072.0001	-	1	Wiring Harness, Main w/Rcpt	CDBC-15 APS
41	29072.0003	2	1	Wiring Harness, Main	CDBC-35/TWIN 0/6,4/2
42	29072.0004	2	1	Wiring Harness, Main 120/240v	CDBC & TWIN-APS
43	29072.0005	-	1	Wiring Harness, Main No Rcpt.	CDBC-15 APS
44	29072.0006	1	-	Wiring Harness, Main	CDBC 2/2 TWIN
45	29072.0007	-	1	Wiring Harness, Main (BLK & RED)	CDBCFCP200v
46	29072.0008	-	1	Wiring Harness, Main (BLK & WHT)	CDBCFCP100v
47	29072.0010	-	1	Wiring Harness, Main (BLK & WHT w/ring)	CDBCFCP100v (CE)
48	29072.0011	-	1	Wiring Harness, Main (BLK & RED w/ring term.)	CDBCFCP200v (CE)
49	29072.0012	-	1	Wiring Harness, Main (BLK & WHT w/ring term.)	CDBCA-APS 230v (CE)
50	29072.0013	-	1	Wiring Harness, Main (BLK & WHT w/ring term.)	CDBCA 230v (CE)
51	29679.0000	-	1	Wiring Harness, Main	CDBC-MV
52	29679.0001	-	1	Wiring Harness, Main	CDBC-MV APS
53	29680.0000	-	1	Wiring Harness, Relay/Limit/Upr. Term. Block	CDBC/CEZ (MV)
54	29681.0000	-	1	White Lead Assy, Tank Htr. To Htr.	CDBC/CEZ (MV)
55	29682.0000	-	1	Wiring Harness, Upr Term Block to Both Heaters	CDBC/CEZ (MV)
56	34055.0000	-	1	Wiring Harness, Main w/2 Top or Side Warmers	CBDC-DV
57	34707.0004	-	1	Wiring Harness, Term Block to EMI Filter	

The Following Harnesses are for Later Models With On/Off Switch

58	29072.0025	-	1	Wiring Harness, Main w/2 Top Warmers	CDBC-35
59	29072.0026	-	1	Wiring Harness, Main w/3 L RT Warmers	CDBC-35
60	29072.0027	-	1	Wiring Harness, Main w/1 Top & 1 Low Warmer	CDBC-35
61	29072.0028	-	1	Wiring Harness, Main w/2 Top Warmers	CDBC-20
62	29072.0029	-	1	Wiring Harness, Main w/1 Low Warmer FL Light	CDBC-35
63	29072.0030	2	-	Wiring Harness, Main	CDBC-TWIN 0/6,4/2
64	29072.0033	-	1	Wiring Harness, Main	CDBC-15 APS & TC



\* Indicates the part number listed is OBSOLETE.

^ Indicates the part number listed is for reference only.

## FUNNELS

ITEM	PART NO.	QTY. TWIN	QTY. SINGLE	DESCRIPTION
<b>A</b>	20583.0003	-	1	Funnel Assy, 7.125" Black Plastic (Includes items 2, 14, & 15)
	29351.0001	2	1	Funnel Assy, 7.625" Black Plastic (Includes items 2, 14, & 15)
	20583.0006	-	1	Funnel Assy, 7.125" Orange Plastic (Includes items 2, 14, & 15)
	1 33119.0000^	-	1	Funnel Body, 7.125" Black Plastic (Order item <b>A</b> )
	1 33127.0000^	-	1	Funnel Body, 7.125" Orange Plastic (Order item <b>A</b> )
	2 32964.0000	-	1	Splashgard, Black Plastic, 7.125"
2 32966.0000	2	1	Splashgard, Black Plastic, 7.625"	
<b>B</b>	29151.0000	2	1	Funnel Assy, Pouch Pack Blk Handle (Includes items 3-6 & 14-16)
	29151.0001	2	1	Funnel Assy, Pouch Pack Orn Handle (Includes items 3-6 & 14-16)
	04274.0010	2	1	Funnel Assy, Pouch Pack Brown Plastic (Includes item 16)
	04274.0012	2	1	Funnel Assy, Pouch Pack Black Plastic (Includes item 16)
	3 29150.0000^	2	1	Funnel Body, Pouch Pack 'C Series' SST (Order item <b>B</b> )
	4 29152.1000	2	1	Handle Kit, Pouch Pack, Black (Includes mounting screw below)
	29152.1001	2	1	Handle Kit, Pouch Pack, Orange (Includes mounting screw below)
	01331.0002	2	1	Screw, Round Head 10-32 x 1.5"
	5 29845.0000	2	1	Insert, Pouch Pack Funnel
	6 35302.0000	2	1	Keeper, Insert
	01331.0000	2	1	Screw, Round Head 10-32 x .5"
<b>C</b>	34559.0000	-	1	Funnel Assy, Gourmet 7.125" SST (Includes items 8, 9, & 13-16)
	34559.0001	2	1	Funnel Assy, Gourmet 7.625" SST (Includes items 8, 9, & 13-16)
	8 34558.0000^	2	1	Funnel Body, Gourmet SST (Order item <b>C</b> )
	9 34546.0000	2	1	Filter Basket, Gourmet 'C'
<b>D</b>	20216.0000	-	1	Funnel Assy, 7.125" SST Blk Handle (Includes items 10, 11 & 13-16)
	20216.0001	-	1	Funnel Assy, 7.125" SST Orn Handle (Includes items 10, 11 & 13-16)
	20217.0000	2	1	Funnel Assy, 7.625" SST Blk Handle (Includes items 10, 11 & 13-16)
	20217.0001	2	1	Funnel Assy, 7.625" SST Orn Handle (Includes items 10, 11 & 13-16)
	10 28553.0000	-	1	Funnel Body, W/Decals, 7.125" SST (Includes items 14 & 15)
	28554.0000	2	1	Funnel Body, W/Decals, 7.625" SST (Includes items 14 & 15)
	11 33088.0000	-	1	Filter Basket, 7.125" SST
	33090.0000	2	1	Filter Basket, 7.625" SST
	12 01031.0000	2	1	Funnel Tip Kit
	13 20244.1000	2	1	Handle Kit, Black (Includes mounting screw below)
	20244.1001	2	1	Handle Kit, Orange (Includes mounting screw below)
	01331.0002	2	1	Screw, Round Head 10-32 x 1.5"
14 03408.0002	2	1	Decal, Warning - Remove Funnel	
15 03409.0002	2	1	Decal, Warning - Hot Liquid	
16 28694.0000	2	1	Decal, Warning - Hot Liquid/Remove Funnel	

**D** does not include tip kit



\* Indicates the part number listed is OBSOLETE.

^ Indicates the part number listed is for reference only.

NUMERICAL INDEX

PART NO.	PAGE NO.	PART NO.	PAGE NO.	PART NO.	PAGE NO.	PART NO.	PAGE NO.
00459.0000	25	01951.0000	27	11440.0008	27	22999.0000	13
00463.0000	25	01951.0001	27	11440.0009	27	23260.1004	5
00656.0000	9	02301.0000	29	11440.0010	27	23260.1005	5
00658.0000	9	02302.0000	29	11440.0011	27	23260.1008	5
00669.0003	9	02308.0000	7,9,13	11442.0000	27	23267.1000	9
00754.0001	13	02308.0000	15,29,31	11517.0008	21	23267.1001	9
00824.0000	29	02325.0001	25	11630.0001	25	23320.1002	9
00908.0000	17	02332.0001	29	12104.0000	11	23321.0000	13
00912.0000	5	02332.0002	13,15	12183.0002	11	23321.0001	13
00916.0000	27	02362.0000	31	12364.0000	5,13	23321.0002	13
00942.0000	17	02536.0000	17	12422.0001	17,21,25	23321.0003	13
00943.0000	17,21	02594.0000	21	12422.0005	21	23321.0004	13
00957.0000	23	02595.0000	21	12422.0006	25	23329.0000	15
00970.0000	9,21,27	02722.0000	5	12422.0009	21	23376.0000	31
00973.0000	29	02732.0000	5	12517.0001	31	23522.0000	29
00985.0000	29	02755.1000	17	12667.0001	13	23522.0001	29
00986.0000	9	02756.1000	17	12920.0000	31	23696.0000	29
00988.0000	9	02765.0000	5	12921.0000	13,31	23697.0000	29
01031.0000	35	02766.0000	21	13042.0001	27	23698.1000	13
01063.0000	31	02795.0004	21	13054.0000	21	23698.1001	13
01075.0000	21	02805.1000	17	13255.0005	15	24204.0000	31
01106.0000	29	02812.0001	31	13352.0008	29	24204.0001	31
01106.0001	29	02822.0000	11	201331.000	35	24230.0000	15
01106.0003	29	02854.0000	21	20216.0000	35	24253.0000	15
01227.0000	27	02856.0005	21	20216.0001	35	24253.0001	15
01303.0000	5,27	02858.0000	21	20217.0000	35	24253.0002	15
01303.0002	5	02861.0003	21	20217.0001	35	24253.0003	15
01308.0002	31	03102.0000	23	20244.1000	35	24254.0001	5
01309.0000	29	03359.0001	15	20244.1001	35	24254.0002	5
01315.0000	5,9,29	03408.0002	35	20248.0000	17,23	24600.0000	13
01315.0005	9	03409.0002	35	20555.0011	31	24785.0002	27
01317.0000	29,31	03628.0000	29	20583.0003	35	24805.0000	13
01319.0000	5	03652.0000	27	20583.0006	35	25102.0000	29
01327.0000	29	03656.0000	27	20942.1000	17	25137.0000	13
01331.0000	35	03851.0000	31	20976.0005	25	25137.0001	13
01331.0002	35	04221.0000	17	20976.0008	21	25151.0000	5
01347.0000	5	04260.0000	17	20976.0010	25	25151.0001	5
01382.0000	9	04270.0000	23	20976.0042	25	25309.1004	5
01382.0002	9	04274.0010	35	20976.0046	21	25312.0001	5
01511.0000	17	04274.0012	35	20976.1000	23,25	25312.1004	5
01518.0000	31	04828.0001	27	20976.1001	23,25	25312.1007	5
01532.0000	25	04828.1001	27	20976.1002	23,25	25348.0002	31
01537.0000	23	05037.1000	17	21016.0011	31	25351.0000	13
01540.0000	23	05212.0000	27	21016.0027	31	25351.0001	13
01544.0000	21	06064.0000	29	22012.0002	29	25351.0002	13
01590.0000	29	07038.0000	29	22730.1002	9	25352.0005	9
01592.0000	5,13	07412.1002	17	22730.1003	9	25657.0000	13
01592.0001	5	11408.1002	9	22730.1005	9	25657.0001	13
01593.0000	13	11408.1005	9	22730.1009	9	25657.0002	13
01685.0000	29	11408.1006	9	22733.0000	9	25658.0000	13
01686.0000	29	11424.0000	23	22740.0000	13	25658.0002	13
01719.1000	29	11438.0000	27	22748.0000	9	26283.1000	9
01927.0000	17	11438.0001	27	22748.0001	9	26283.1001	9
01928.0000	17	11440.0005	27	22748.0002	9	26287.0000	9

26413.0000.....	13	29072.0007.....	33	29669.1000.....	17	34074.1007.....	19
26413.0001.....	13	29072.0008.....	33	29673.0000.....	31	34074.1009.....	19
26528.0001.....	15	29072.0010.....	33	29679.0000.....	33	34074.1011.....	19
26953.0000.....	15	29072.0011.....	33	29679.0001.....	33	34074.1016.....	19
27370.0000.....	21	29072.0012.....	33	29680.0000.....	33	34074.1018.....	19
27370.0001.....	21	29072.0013.....	33	29681.0000.....	33	34074.1025.....	19
27370.0002.....	21	29072.0025.....	33	29682.0000.....	33	34081.1000.....	9
27705.0000.....	29	29072.0026.....	33	29684.0000.....	5	34097.0000.....	23
27929.0000.....	9	29072.0027.....	33	29685.0000.....	11	34115.0000.....	9
28176.0000.....	29	29072.0028.....	33	29685.0001.....	11	34546.0000.....	35
28177.0000.....	31	29072.0029.....	33	29685.0002.....	11	34558.0000.....	35
28382.0000.....	5	29072.0030.....	33	29685.0003.....	11	34559.0000.....	35
28526.0009.....	25	29072.0033.....	33	29685.0004.....	11	34559.0001.....	35
28526.0018.....	23	29075.0000.....	21	29685.0005.....	11	34707.0004.....	33
28526.1001.....	23,25	29076.0000.....	11	29710.0000.....	11	34813.0000.....	17,31
28526.1002.....	23,25	29077.0000.....	11	29710.0004.....	11	35116.0000.....	25
28526.1003.....	23,25	29077.0001.....	11	29710.0007.....	11	35302.0000.....	35
28526.1003.....	25	29077.0002.....	11	29822.0000.....	13	35712.0000.....	13
28553.0000.....	35	29077.0004.....	11	29845.0000.....	35	36099.0000.....	21
28554.0000.....	35	29077.0005.....	11	32098.0000.....	25	36757.1000.....	7
28694.0000.....	35	29081.0001.....	29	32138.0000.....	17	36757.1001.....	7
28731.0000.....	17	29082.0000.....	29	32143.0000.....	7	37182.0000.....	7
28731.0001.....	17	29150.0000.....	35	32161.0000.....	11	37881.0000.....	5,9
28735.0000.....	17	29151.0000.....	35	32325.0000.....	9	37881.0002.....	5
28740.0000.....	29	29151.0001.....	35	32325.0001.....	9	37930.0000.....	9
28742.1000.....	29	29152.1000.....	35	32591.0002.....	21	38044.0000.....	31
28743.0000.....	31	29152.1001.....	35	32591.0012.....	25	38074.0000.....	29
28747.0001.....	21	29167.0000.....	11	32591.0013.....	25	38114.0000.....	17
28750.0000.....	25	29206.0000.....	5	32591.1001.....	23,25	38227.0000.....	21
28750.0001.....	25	29257.0000.....	11	32591.1002.....	23,25	38496.1002.....	5
28750.0002.....	25	29257.0001.....	11	32964.0000.....	35	38498.1000.....	5
28750.0003.....	25	29257.0002.....	11	32966.0000.....	35	38894.0001.....	31
28975.1000.....	31	29263.0000.....	29	33088.0000.....	35	38948.0001.....	25
28975.1001.....	31	29264.0000.....	21	33090.0000.....	35	38956.1000.....	31
28975.1002.....	31	29265.0000.....	31	33119.0000.....	35	38969.0001.....	17,25
28975.1004.....	31	29279.0000.....	17	33127.0000.....	35	39149.0000.....	21
29006.0001.....	31	29314.0002.....	7	33801.0001.....	17	39331.0000.....	21
29006.0002.....	31	29314.0004.....	7	33937.0002.....	17	39331.1000.....	21
29006.0003.....	31	29323.0000.....	11	33937.0003.....	17	39331.1001.....	21
29006.0004.....	31	29323.0001.....	11	33937.0004.....	17	39331.1002.....	21
29006.0005.....	31	29323.0002.....	11	34055.0000.....	33	39975.0000.....	25
29006.0012.....	31	29323.0003.....	11	34061.1000.....	9	39975.0001.....	25
29006.0013.....	31	29323.0004.....	11	34061.1001.....	9	39975.0002.....	25
29006.0014.....	31	29327.0000.....	17	34063.0000.....	7	39975.0003.....	25
29006.0018.....	31	29329.1000.....	17	34063.0001.....	7	39975.0004.....	25
29007.0000.....	31	29351.0001.....	35	34063.0002.....	7		
29008.0000.....	29	29446.0004.....	29	34069.1000.....	5		
29065.0000.....	25	29484.0000.....	31	34070.1001.....	5		
29072.0000.....	33	29484.0001.....	31	34074.1001.....	19		
29072.0001.....	33	29485.1000.....	17	34074.1002.....	19		
29072.0003.....	33	29485.1001.....	17	34074.1003.....	19		
29072.0004.....	33	29486.0000.....	25	34074.1004.....	19		
29072.0005.....	33	29581.0000.....	9	34074.1005.....	19		
29072.0006.....	33	29581.0001.....	9	34074.1006.....	19		