



Models:

- ▶ **CBS-2031e / CBS-2031s**
- ▶ **CBS-2032e / CBS-2032s**



NOTICE TO INSTALLER: Please leave this book with the machine.

Driven To Pioneer Innovation™

Table of Contents

| | | | |
|---|---|---|----|
| Contact Information | 2 | Programming | 9 |
| Description & Features | 2 | Batch Settings | 9 |
| Specifications | 2 | Temperature Settings | 10 |
| Requirements | 2 | Advanced Settings and Diagnostics | 10 |
| Weights and Capacities | 2 | Relay Test | 11 |
| Electrical Configuration and Brewing Efficiency | 3 | Error Codes | 12 |
| Dimensions & Utility Connections | 4 | Service and Support | 13 |
| Installation | 5 | Cleaning & Maintenance | 13 |
| Operating Instructions | 8 | Parts | 14 |

FETCO®, LUXUS®, EXTRACTOR® and Driven To Pioneer Innovation™ are trademarks or trade names of Food Equipment Technologies Company.

Contact Information

FETCO®
Food Equipment Technologies Company
600 Rose Road
Lake Zurich • IL • 60047-0429 • USA

Phone: (800) 338-2699 (US & Canada)
(847) 719-3000
Fax: (847) 719-3001

Email: sales@fetco.com
techsupport@fetco.com

Internet: www.fetco.com

Description & Features

The CBS-2030e and CBS-2030s series feature patented intermittent spray over technology, which works like this:

The following variables are programmed for each batch size:

- ❖ Brew volume
- ❖ Brew time
- ❖ Bypass percent
(CBS-2031s & 2032s only)
(Percentage of the brew volume)
- ❖ Prewet percent (Percentage of the brew volume)
- ❖ Prewet delay (The time between prewetting and the brew cycle.)
- ❖ Drip delay (The time between the end of the brew cycle and the unlocking of the brew basket.)

Using these variables, the software calculates how much water to use for prewetting and brewing. The total brew time is divided into several 30 second cycles. Within these cycles, the software calculates how long to spray water over the coffee grounds, and how long to pause before the next cycle begins.

Features

All Models:

- ❖ Two fully programmable batch sizes per side
- ❖ Adjustable prewetting cycle
- ❖ Electronically controlled hot water service
- ❖ Brew temperature protection

CBS-2031s & CBS-2032s Only:

- ❖ Magnetic brew basket sensor
 - ❖ Brew basket safety locks
 - ❖ Adjustable bypass
-

Specifications

Requirements

- ❖ **Water Requirements:**
 - CBS-2031e/2031s: 20-75 psig, ¼ gpm
 - CBS-2032e/2032s: 20-75 psig, ½ gpm
- ❖ **Electrical:** See electrical configuration chart.
- ❖ **Coffee Filters:** 13" X 5" FETCO Product # F002

Weights and Capacities

| Brewer Model | Weight (empty) | Water tank Capacity & Weight. | | Weight (filled) | Dispenser Weight, ea. | Dispenser Filled, ea.. | Total Weight Brewer & Dispensers, Filled |
|------------------------|----------------|-------------------------------|---------|-----------------|-----------------------|------------------------|--|
| CBS-2031e CBS-2031s | 35 lbs. | 3.0 gal. | 25 lbs. | 60 lbs. | 4.4 lbs. | 11 lbs. | 71 lbs. |
| CBS-2032e CBS-2032s | 53 lbs. | 5.4 gal. | 45 lbs. | 98 lbs. | 4.4 lbs. | 11 lbs. | 120 lbs. |

Electrical Configuration and Brewing Efficiency

US & Canada

CBS-2031e / CBS-2031s

3.0 liters per batch

| Electrical Config. Code | Heater Configuration | Voltage (AC) | Phase | Wires | KW | Maximum Amp draw | Batches per Hour* (max 11) | |
|--|----------------------|--------------|--------|------------|-----|------------------|----------------------------|-----------|
| | | | | | | | Cold Water | Hot Water |
| E31045 Can be connected to 120 VAC or 120/208-240 VAC | 1 X 1.5 KW | 120 | single | 2 + ground | 1.6 | 13.0 | 4.9 | 11.0 |
| | 2 X 1.5 KW | 120/208 | single | 3 + ground | 2.4 | 11.3 | 7.3 | 11.0 |
| | | 120/220 | | | 2.6 | 12.0 | 8.2 | 11.0 |
| | | 120/240 | | | 3.1 | 13.0 | 9.7 | 11.0 |
| E31035 Can be connected to 120 VAC or 120/208-240 VAC | 1 X 1.7 KW | 120 | single | 2 + ground | 1.8 | 14.7 | 5.5 | 11.0 |
| | 2 X 1.7 KW | 120/208 | single | 3 + ground | 2.7 | 12.8 | 8.3 | 11.0 |
| | | 120/220 | | | 3.0 | 13.5 | 9.2 | 11.0 |
| | | 120/240 | | | 3.5 | 14.7 | 11.0 | 11.0 |
| E31015 Can be connected to 120 VAC or 120/208-240 VAC | 1 X 2.3 KW | 120 | single | 2 + ground | 2.4 | 19.7 | 7.4 | 11.0 |
| | 2 X 2.3 KW | 120/208 | single | 3 + ground | 3.6 | 17.1 | 11.0 | 11.0 |
| | | 120/220 | | | 4.1 | 18.1 | 11.0 | 11.0 |
| | | 120/240 | | | 4.7 | 19.7 | 11.0 | 11.0 |

CBS-2032e / CBS-2032s

3.0 liters per batch

| Electrical Config. Code | Heater Configuration | Voltage (AC) | Phase | Wires | KW | Maximum Amp draw | Batches per Hour* (max 22) | |
|-------------------------|----------------------|--------------|--------|------------|-----|------------------|----------------------------|-----------|
| | | | | | | | Cold Water | Hot Water |
| E32015 | 2 X 3 KW | 120/208 | single | 3 + ground | 4.6 | 22.4 | 14.6 | 22.0 |
| | | 120/220 | | | 5.1 | 23.7 | 16.3 | 22.0 |
| | | 120/240 | | | 6.1 | 25.8 | 19.4 | 22.0 |

* Based on standard factory settings: 4.0 minute brew time; 0% prewet; 200 F water.

Export

CBS-2031e / CBS-2031s

3.0 liters per batch

| Electrical Config. Code | Heater Configuration | Voltage (AC) | Phase | Wires | KW | Maximum Amp draw | Batches per Hour* (max 11) | |
|-------------------------|----------------------|--------------|--------|------------|-----|------------------|----------------------------|-----------|
| | | | | | | | Cold Water | Hot Water |
| E31025 | 1 X 3 KW | 220 | single | 2 + ground | 2.6 | 12.0 | 8.2 | 11.0 |
| | | 240 | | | 3.1 | 13.0 | 9.7 | 11.0 |

CBS-2032e / CBS-2032s

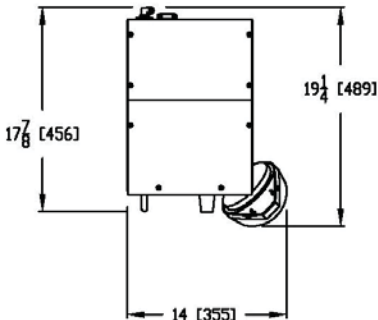
3.0 liters per batch

| Electrical Config. Code | Heater Configuration | Voltage (AC) | Phase | Wires | KW | Maximum Amp draw | Batches per Hour* (max 22) | |
|-------------------------|----------------------|--------------|--------|------------|-----|------------------|----------------------------|-----------|
| | | | | | | | Cold Water | Hot Water |
| E32025 | 2 X 3 KW | 220 | single | 2 + ground | 5.1 | 23.7 | 16.3 | 22.0 |
| | | 240 | | | 6.1 | 25.8 | 19.4 | 22.0 |

* Based on standard factory settings: 4.0 minute brew time; 0% prewet; 200 F water.

Dimensions & Utility Connections

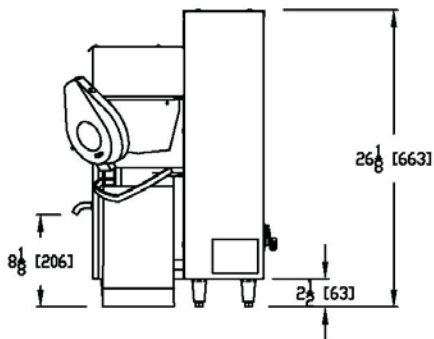
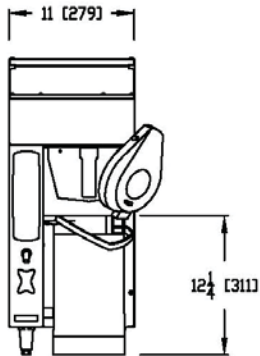
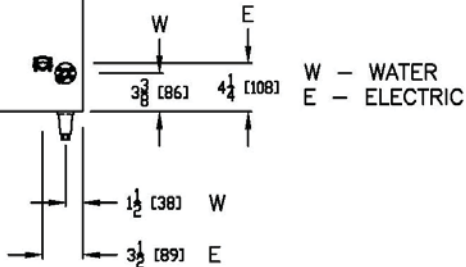
CBS-2031e / CBS-2031s



BACK VIEW

ELECTRIC INPUT AND WATER CONNECTION FROM REAR

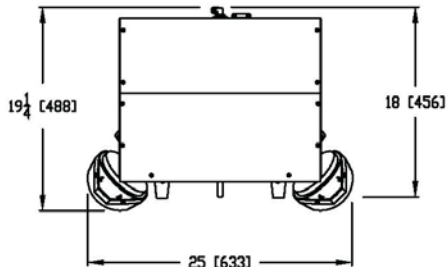
WATER INLET:
 FITTING, 90 DEG. MALE ELBOW,
 3/8" TUBE OD X 3/8" MPT



DIMENSIONS IN PARENTHESIS ARE METRIC

DWG 201108-000

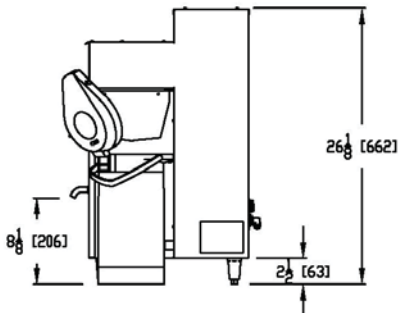
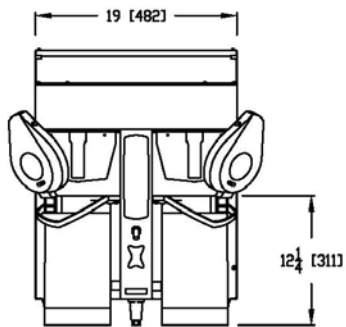
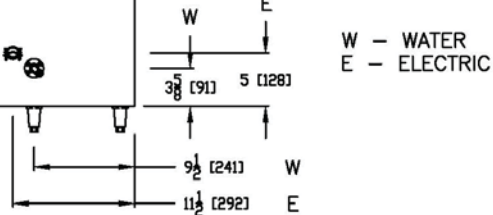
CBS-2032e / CBS-2032s



BACK VIEW

ELECTRIC INPUT AND WATER CONNECTION FROM REAR

WATER INLET:
 FITTING, 90 DEG. MALE ELBOW,
 3/8" TUBE OD X 3/8" MPT



DIMENSIONS IN PARENTHESIS ARE METRIC

DWG 201109-000

Installation

(For Qualified Service Technicians Only)

Keys To A Successful Installation

If not installed correctly by qualified personnel, the brewer will not operate properly and damage may result. Damages resulting from improper installation are not covered by the warranty.

Here are the key points to consider before installation:

Electrical:

- ❖ All FETCO brewers require **NEUTRAL**. Ground is not an acceptable substitute. Installation without neutral may cause damage to the electronic components.
- ❖ The electrical diagram is located on the inside of the lower cover.
- ❖ The installation must comply with applicable federal, state, and local codes having jurisdiction at your location. Check with your local inspectors to determine what codes will apply.

Plumbing:

- ❖ This equipment is to be installed to comply with the applicable federal, state, or local plumbing codes.
- ❖ The water line must be flushed thoroughly prior to connecting it to the brewer to prevent debris from contaminating the machine.
- ❖ Verify that the water line will provide at least ¼ gallon per minute for the CBS-2031, and ½ gallons per minute for the CBS-2032 before connecting it to the brewer.

General:

- ❖ Utilize only qualified beverage equipment service technicians for installation. A Service Company Directory may be found on our web site, <http://www.fetco.com>.

Installation Instructions

Brewer Setup

1. Review the Dimensions for the unit you are installing. Verify that the brewer will fit in the space intended for it, and that the counter or table will support the total weight of the brewer and dispensers when filled.
2. The brewer's legs are shipped inside the brew baskets. Remove the brew basket(s) and the coffee dispenser(s). Place the brewer on its back and screw in the legs.
3. Place the brewer on the counter or stand.
4. When the brewer is in position, level it front to back as well as side to side by adjusting the legs.
5. Remove the lower cover to access the water and electrical connections. Knock-outs are provided in the back and base of the brewer body for the connections.



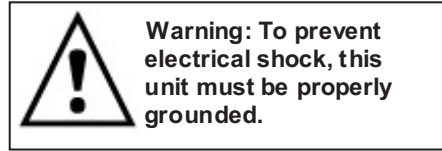
Warning: Legs are to be adjusted for leveling the brewer only. Do not use for height adjustment or extend them higher than necessary.

Water Connection

1. Water inlet is a 3/8 inch male flare fitting.
2. The brewer can be connected to a cold or hot water line. Cold water is preferred for best coffee flavor, but hot water will allow for faster recovery times.
3. Install a water shut off valve near the brewer to facilitate service. If an in-line water filter is used, it should be installed after the water shut off valve and in a position to facilitate filter replacement.
4. Flush the water supply line and filter **before** connecting it to the brewer.
5. Verify that the water line will provide at least ¼ gallon per minute for the CBS-2031, and ½ gallon per minute for the CBS-2032, and that the water pressure is between 20 and 75 psig.

Electrical Connection – US & Canada

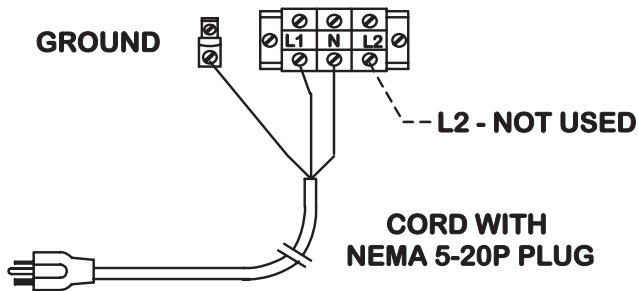
1. Verify that the actual voltage at the electrical service connection is compatible with the specifications on the brewer’s serial number label. Make sure the electrical service includes **neutral**.
2. The temperature and water tank fill level are pre-set at the factory. There is no need to turn off the heaters during the installation process. The heaters are disabled by the control board until the tank is full of water. The heating process will start automatically when the tank has filled.
3. The CBS-2031 is factory equipped with a 120 V cord and plug. The CBS-2032 has only a terminal block for connecting the incoming power wires. Consult local codes to determine if a cord and plug can be installed, or if the unit must be hard wired.
4. A fused disconnect switch or circuit breaker on the incoming power line must be conveniently located near the brewer, and its location and markings known to the operators.
5. The body of the brewer must be grounded to a suitable building ground. A ground lug is provided in the brewer next to the power terminal block. Use only 10 gauge copper wire for grounding.
6. Electrical connections must be secured in-place within the unit to meet national and local standards.
7. Finally, connect the incoming power wires to the terminal block as shown in accordance with applicable codes.



CBS-2031e / CBS-2031s

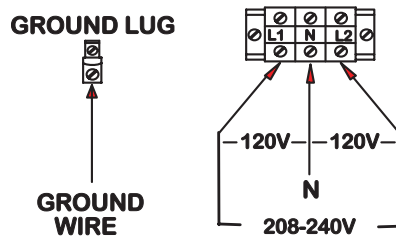
Can be connected to 120 VAC or 120/208-240 VAC

Factory Configuration
120 VAC, 3 wires



Optional Field Conversion*
120/208-240 VAC, 4 wires

- Step 1:** Remove the factory provided 120 V cord & plug from the terminal block.
- Step 2:** Connect the incoming wires to the terminal block in accordance with applicable codes.



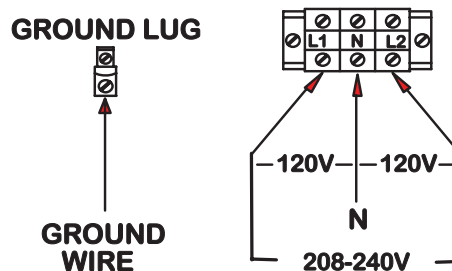
**This procedure must be performed only by a qualified service technician or electrician.*

Notice: In order for this product to comply with the requirements of the Underwriters Laboratories listing, the following conditions apply:

- 1.) This unit must be hard wired for 120/208-240 VAC.
- 2.) Once the unit is converted to 120/208-240 VAC operation, it cannot be converted back to 120 VAC operation.

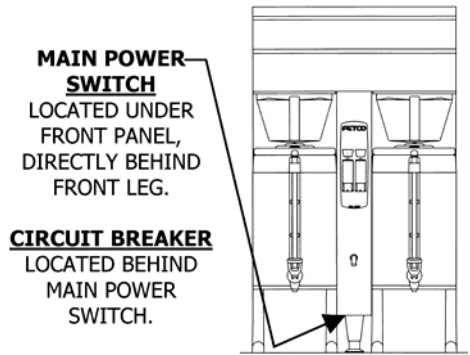
CBS-2032e / CBS-2032s

Can be connected only to 120/208-240 VAC



Final Setup

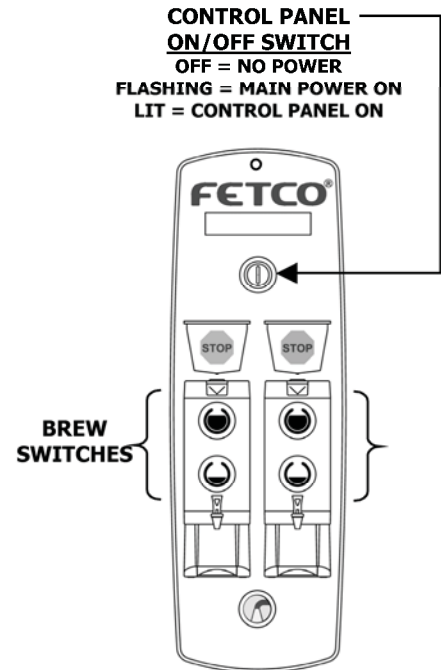
1. Turn on the incoming water supply line and inspect both inside and outside of the brewer for leaks in all fittings and tubes
2. Turn on the incoming power.
3. Press the brewer's main power switch, which is hidden behind the front leg of the brewer. The control panel on/off switch will begin flashing. Press this switch.
4. Within 6 seconds, the hot water tank will begin filling until the water is sensed by the probe at the top of the tank. The display will read "FIL". The heaters will be disabled by the control board until the tank is full.
5. While the water is heating, the display will read "LO" and the actual water temperature will be displayed. After the water has reached the set temperature, the display will be blank. There is no "ready" light.
6. Review the Operating Instructions. Brew one full batch (water only) on each side to confirm proper fill levels. The brewer is factory set with water only (no coffee) to dispense the correct amount of water. If the actual volume is slightly different from the programmed volume, fine tuning the brewer may be necessary. See #60 – 61 in the Advanced Settings & Diagnostics section.
7. Re-attach the covers after one final inspection for leaks. Look closely in the top of the brewer at the dispense fittings during this inspection.



Operator Training

Review the operating procedures with whoever will be using the brewer. Pay particular attention to the following areas:

1. Always pre-heat the dispensers before the first use of each day by filling them half way with hot water, and letting them stand for at least 15 minutes.
2. Don't remove the brew basket until it has stopped dripping.
3. Make sure the dispenser is empty before brewing into it.
4. Show how to attach covers, close, and or secure the thermal dispensers for transporting.
5. Show the location and operation of the water shut off valve as well as the circuit breaker for the brewer.
6. Steam from the tank will form condensation in the vent tubes. This condensation will drip into and then out of the brew baskets. 1/4 cup discharging overnight is possible. Place an appropriate container under each brew basket when not in use.
7. We recommend leaving the power to the brewer on overnight. The water tank is well insulated and will use very little electricity to keep the tank hot. Leaving the brewer in the on position will also avoid delays at the beginning of shifts for the brewer to reach operating temperature.



Operating Instructions

Control Panel Functions

Only switches that are active are illuminated.

Switches that are inactive or disabled are invisible.

1 Main Power Switch

- Controls all power to brewer
- Indicator lamp at top of panel.

2 Control Panel On/Off Switch

- Affects only control panel. Does not disconnect main power.
- Flashing = Off
- Lit = On
- Invisible = Main Power Off

3 Display

- "FILL" = Water tank is filling.
- "LO XXX" = Unit is heating, not ready to brew. (XXX = actual temperature.)
- Blank = Ready to brew.
- Also displays error messages.

4 Stop Switches

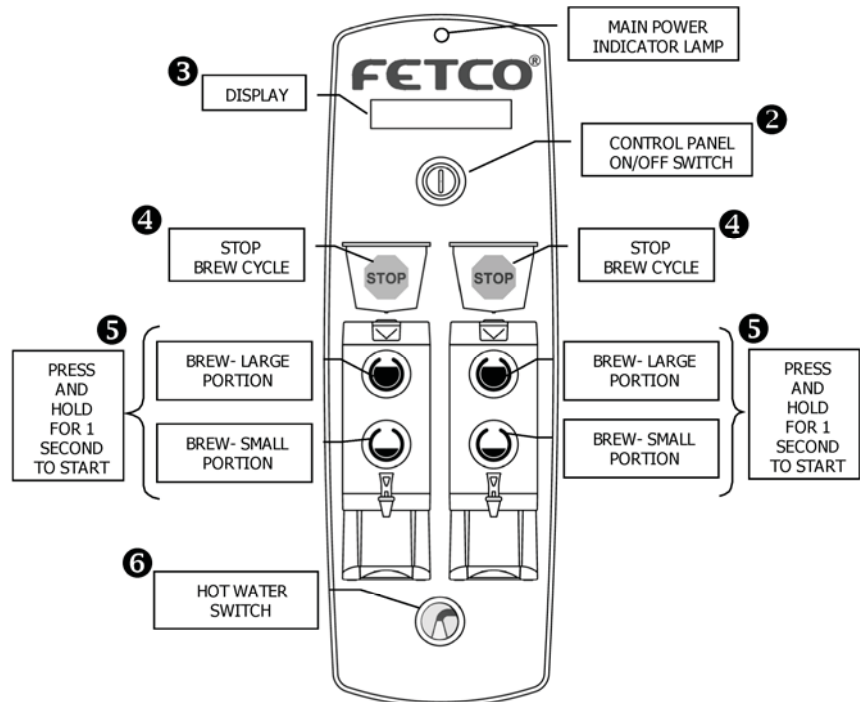
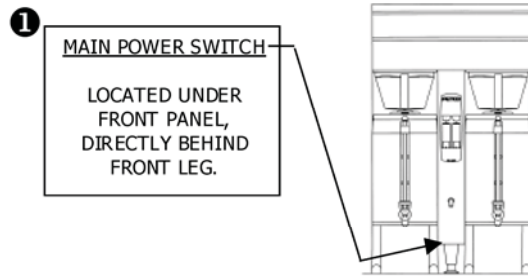
- Stops brew cycle
- Lit = Brew cycle in progress
- Invisible = Not brewing, or dripping in progress

5 Brew Switches

- Starts brew cycle
- Must be held in for 1 second
- Flashing = Brew cycle in progress
- Lit = Ready to brew
- Invisible – Not ready to brew, or batch disabled (See Programming Section)

6 Hot Water Switch

- Dispenses hot water from faucet
- Hold in to dispense



Brewing

1. Turn the main power switch and control panel switch on.
2. Prepare a brew basket with the correct size filter and appropriate amount of coffee.
3. Slide the brew basket completely into the rails.
4. Place a clean, empty, preheated dispenser under the brew basket.
5. Select a batch from the available choices, and hold the corresponding BREW button in for 1 second to start the brew cycle.
6. The STOP button will illuminate, and the selected BREW button will flash, indicating that brewing is in progress. All other BREW buttons will extinguish.

7. When the brew cycle is finished, the STOP button will extinguish and the BREW button will continue flashing, indicating that coffee may still be dripping from the bottom of the brew basket.
8. Before removing the brew basket or dispenser, visually verify that dripping has stopped.

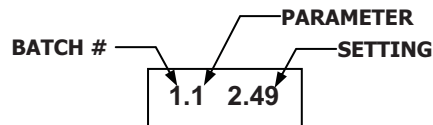
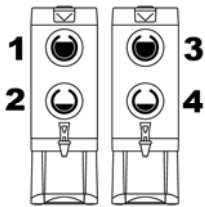
Notes:

- Preheat dispenser by filling at least ½ full with water at brewing temperature. Allow it to sit for at least 15 minutes before draining.

Programming

Batch Settings

- ❖ Turn the brewer off by pressing the main power switch.
- ❖ Press the main power switch again to turn the unit on.
The last 2 digits of the model number will display briefly, then **S t b**.
- ❖ Quickly hold the **STOP** button for 3 seconds.
- ❖ The display will show the software version. Example:
- ❖ Press **STOP** to continue.
- ❖ Batches are numbered 1 – 2 (single brewers) or 1 – 4 (dual brewers)



Example: Left Side – Large Batch – Volume 2.49 Liters.

- ❖ Next, the first batch parameter is displayed – batch 1, brew volume
Use the **SCROLL UP** and **SCROLL DOWN** buttons to adjust.
Press the **STOP** button to go to the next parameter – brew time.
- ❖ Continue this way until all parameters are programmed for batch #1.
(See the chart below for an explanation of each parameter.)
- ❖ Next, batch #2 programming begins.
Batches 2 and 4 may be disabled by leaving them set to **“OFF”**.
Change to **“ON”** to enable. Batches 1 and 3 cannot be disabled.
- ❖ After all batches are programmed, go to temperature settings.

Display

32
S t b

Pr G

0.0 3.2

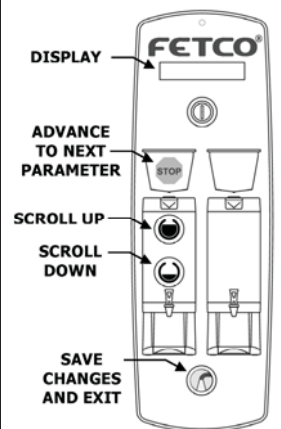
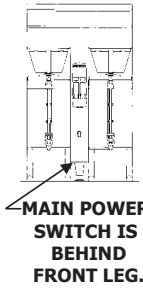
1.1 2.49

1.2 4.00

2.0 OFF

7 200

(See next page)



Important! After programming, you must press the **HOT WATER** button to save the settings and exit programming mode, or changes will be lost. You may exit programming at any time.

Batch Parameters

| X=Batch Number (1 - 4) | | | | | |
|------------------------|---|---------------------|--------------|---------------------------------------|---|
| Parameter | Name | Range | Increment | Default Setting | Comment |
| X.0 | Batch Enabled or Disabled | On/Off | | Batch 1 & 3 = ON Batch 2 & 4 = OFF | Batch 1 & 3 cannot be disabled. |
| X.1 | Brew Volume (Liters) | 0.94 – 4.72 | 0.03 or 0.04 | 2.49 liters | To display gallons, see # 59 in Advanced Settings section. |
| X.2 | Brew Time (Min:Sec) | 2:00 – 24:00 | 0:30 | 4:00 minutes | |
| X.3 | Bypass Percent (CBS-2031s / 2032s only) | 0.00 – 40.0% | 1% | 0 % | Percentage of total brew volume |
| X.4 | Prewet Percent | 0.00 – 15.0% | 1% | 0 % | Percentage of total brew volume |
| X.5 | Prewet Delay (Min:Sec) | 0:10 – 5:00 | 0:10 | 1:00 minute | The time between prewetting and start of brew cycle. |
| X.6 | Drip Delay (Min:Sec) | 0:30 – 6:00 Minutes | 0:10 | 1:00 minute | The time between end of brew cycle and when brew switch stops blinking. |

Temperature Settings

| Parameter | Name | Range | Default Setting | Comment |
|-----------|-------------------------|---------------------|-----------------|---|
| 7 | Water Temp. (°F) | 180°F - 208°F | 200°F | Inside tank. Will be slightly lower at spray head. To display in ° Celsius, see # 58 in Advanced Settings. |
| 8 | Hot Water Service | A (auto) / On / Off | A (auto) | A= Faucet will dispense only when not brewing. On=Faucet always enabled. Off=Faucet always disabled. |
| 9 | Brew at Set Temperature | 0 - 1 | 1 | 0=Will brew at any temperature. 1=Will brew only at set temperature. Note: Changes will not take effect until the next brew cycle is completed. |

| Parameter | Name | Range | Default Setting | Comment |
|-----------|---------------------------------------|-------|-----------------|---|
| 10 | Enter Advanced Settings & Diagnostics | 0 - 1 | 0 | 0 = Skip Advanced Settings & Diagnostics. Loop back to start of batch programming cycle. 1 = Enter Advanced Settings & Diagnostics. Press STOP to continue |


Important! To save your changes, press  to exit programming mode and return to operating mode.

Advanced Settings and Diagnostics

| Address | Description | Range | Default | Comment |
|---------|---|---------------|---------|--|
| 50 | Water Level in Tank | 0 - 1 | | Tests if water is touching probe. 0 = Tank is less than full 1 = Tank is full |
| 52 | Brew Basket Sensor State (left / right) | 0 - 1 | | CBS-2031s / CBS-2032s Only To test, slide the brew basket in and out. Display should toggle between 0 and 1. 0 = Brew basket out. 1 = Brew Basket in. |
| 55 | Tank Temperature | 180°F - 208°F | | Displays current tank temperature. If temperature is below 175°F, displays "LO". |
| 56 | Brewer Model Number | 31 - 52 | | Must be set for the correct model number of the brewer: 31 for CBS-2031e or 2031s, 32 for CBS-2032e or 2032s. |
| 57 | Reload Defaults | 0 - 1 | 0 | Changes all settings to default factory settings. 0 = Do not reload defaults 1 = Reload all default settings If 1 is selected, you must advance to the next address for this change to take effect. Does not change address 56 – model number. |
| 58 | Temperature Scale | F or C | F | F = Displays temp in degrees Fahrenheit C = Displays temp in degrees Celsius |
| 59 | Water Volume Scale | LTR or GAL | LTR | LTR = Displays volume in liters GAL = Displays volume in gallons |

| Address | Description | Range | Default | Comment |
|-----------------|---|--|--------------------------|--|
| 60 and 61 | Left Brew Valve Flow Rate Right Brew Valve Flow Rate | 0.35 – 2.24 <i>If #59 is LTR</i> or 0.09 – 0.59 <i>If #59 is GAL</i> | 1.30 0.39 | Use this to compensate for minor discrepancies in actual volume versus programmed volume. Set lower to increase volume, higher to decrease volume. The following formula can be used to determine the correct setting: $\frac{\text{ACTUAL VOLUME}}{\text{PROGRAMMED VOLUME}} \times \text{CURRENT SETTING} = \text{NEW SETTING}$ |
| 64 | Keypad Test | 0 - 1 | 0 | Tests function of control panel switches. 0 - Skip keypad test 1 - Keypad test active Starting at the top, press each button. Display will read the name of the switch being pressed. Brew switches are named S1, S2, S3, etc. The hot water switch must be pressed last, as this will exit the test. |
| 65 | Relay Test | 0 - 1 | 0 | 0 - Skip relay test. Loop back to #50 1 – Relay test active. Press STOP to continue |

Press  to save the settings and exit Diagnostic mode.

Press  again to exit Programming mode and return to Operating mode.

Relay Test


Tests the individual relays which control various components.
Use either batch button to actuate the relays.





Warning: During these tests, hot water may be dispensed from the valve being tested.

To begin, you must first press the blinking Control Panel Power Switch.

| Address | Description | Comment |
|---------|-----------------------------|---|
| 90 | Left or Single Brew Valve | |
| 91 | Right Brew Valve | |
| 92 | Left or Single Bypass Valve | CBS-2031s / CBS-2032s Only |
| 93 | Right Bypass Valve | CBS-2031s / CBS-2032s Only |
| 94 | Hot Water Faucet | |
| 95 | Fill Valve | |
| 96 | Heater | To protect the heaters, this test will work only if the tank is full. |

Press  to exit Relay Test.

Press  again to exit Diagnostic mode.

Press  again to exit Programming mode and return to Operating mode.

Error Codes

| Code | Description | Possible Cause | Corrective Action | How to Clear Error Codes |
|---------------|--|---|--|--|
| 001 | Internal Error System had to reload default settings. | Control board failure. | Clear error. Re-program the brewer to the desired specifications. If error occurs again, replace control board. | Turn main power switch off and on. |
| 050 | Shorted temperature probe. | Probe failure. | Replace probe. | Turn main power switch off and on. |
| 051 | Open temperature probe. | Bad probe connection, or probe failure. | Check all connections. Replace probe if necessary. | Turn main power switch off and on. |
| 075 or NO BAS | CBS-2031e / 2032e Brew Basket Sensor | These models do not have brew basket sensors or locks. This error indicates a bad connection on the brown jumper wire on the Molex connector connected to the top of the control board. | Press both ends of the jumper wire into the connector to make better contact. | |
| 075 | CBS-2031s / 2032s Brew basket lock or sensor failure. | Brew basket sensor or lock has failed. If the brew basket can be pulled out during the brew cycle, the brew basket lock has failed. | Repair or replace brew basket sensor or lock. | Press the flashing control panel power switch to resume operation. |
| | | Magnet in brew basket handle is missing or loose. | Remove brew basket handle. Place magnet in correct position. | |
| 100 | Initial Fill Error Initial fill time was more than 15 minutes. | Water supply flow rate is too low. | Watch for short potting during brew cycle. Investigate cause of low flow rate. (Clogged water filter, etc.) | Press the control panel power switch. |
| 101 | Error on refill Tank did not refill within 3 minutes. | Water supply flow rate is too low. | Watch for short potting during brew cycle. Investigate cause of low flow rate. (Clogged water filter, etc.) | Error message is cleared automatically at end of brew cycle. |
| 102 | Unwanted Fill When brewer is idle, the fill valve was activated for more than 30 seconds during a 1 hour period. | Possible leak in tank, fitting, or valve. | Check inside of machine for leaks. | Turn main power switch off and on. |
| | | Output on control board has failed, causing a dispense valve to open. | Replace control board. | |
| 200 | Flat Line Temperature (Water is boiling) System is calling for heat, but the temperature does not rise at least 2°F within 10 minutes. | Triac is stuck closed, bad output on control board, or temperature is set too high for altitude. | Check triacs, check control board output, or adjust temperature for altitude. | Turn main power switch off and on. |
| 201 | Heater Open System is calling for heat, but the temperature does not rise at least 2°F within 10 minutes. This error is disabled during brewing and while using the hot water faucet. | Heating element failure. | Check and replace heating elements if necessary. | Turn main power switch off and on. |
| 202 | Heater Short System is not calling for heat, but temperature rises more than 5°F. | Possible triac stuck closed, or bad output on control board. | Check triac and control board. | Enter programming mode, then exit programming mode. |
| 255 | Keypad Error A switch was pressed for more than 45 seconds. | Switch was held in too long, or switch is stuck closed. | Clear error and try again. If error occurs without switch being pressed, replace input board. | Turn main power switch off and on. |

Service and Support

For service and support information, contact the Technical Support department. Our hours are 7:00 AM to 6:00 PM Central Time, Monday through Friday.

Phone: (800) 338-2699 or (847) 719-3000

Email: techsupport@fetco.com

Utilize only qualified beverage equipment service technicians for service. A Service Company Directory may be found on our web site, <http://www.fetco.com>.

Cleaning & Maintenance

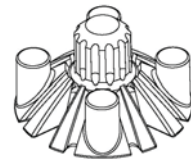
Daily: Wipe the area above the brew basket to remove coffee residue.

Daily or Weekly:

CSD Versions:

Clean the Cascading Spray Dome (CSD) with a soft brush and detergent. It may also be cleaned in a dishwasher – top rack only.

The CSD is held in place by four magnets. To remove it, grasp the bottom and pull down.

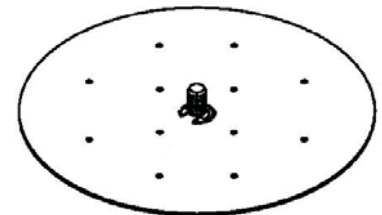


CSD

Spray Plate Versions:

The spray plate should be removed and cleaned to remove hard water deposits. In areas with extremely hard water, it may be necessary to do this daily. Weekly cleaning may be sufficient in some areas.

When cleaning the spray plate, make sure that each hole is completely free of mineral deposits. Use a toothpick to clean out each hole. Never use metal objects or abrasives on the spray plate's Teflon coating.



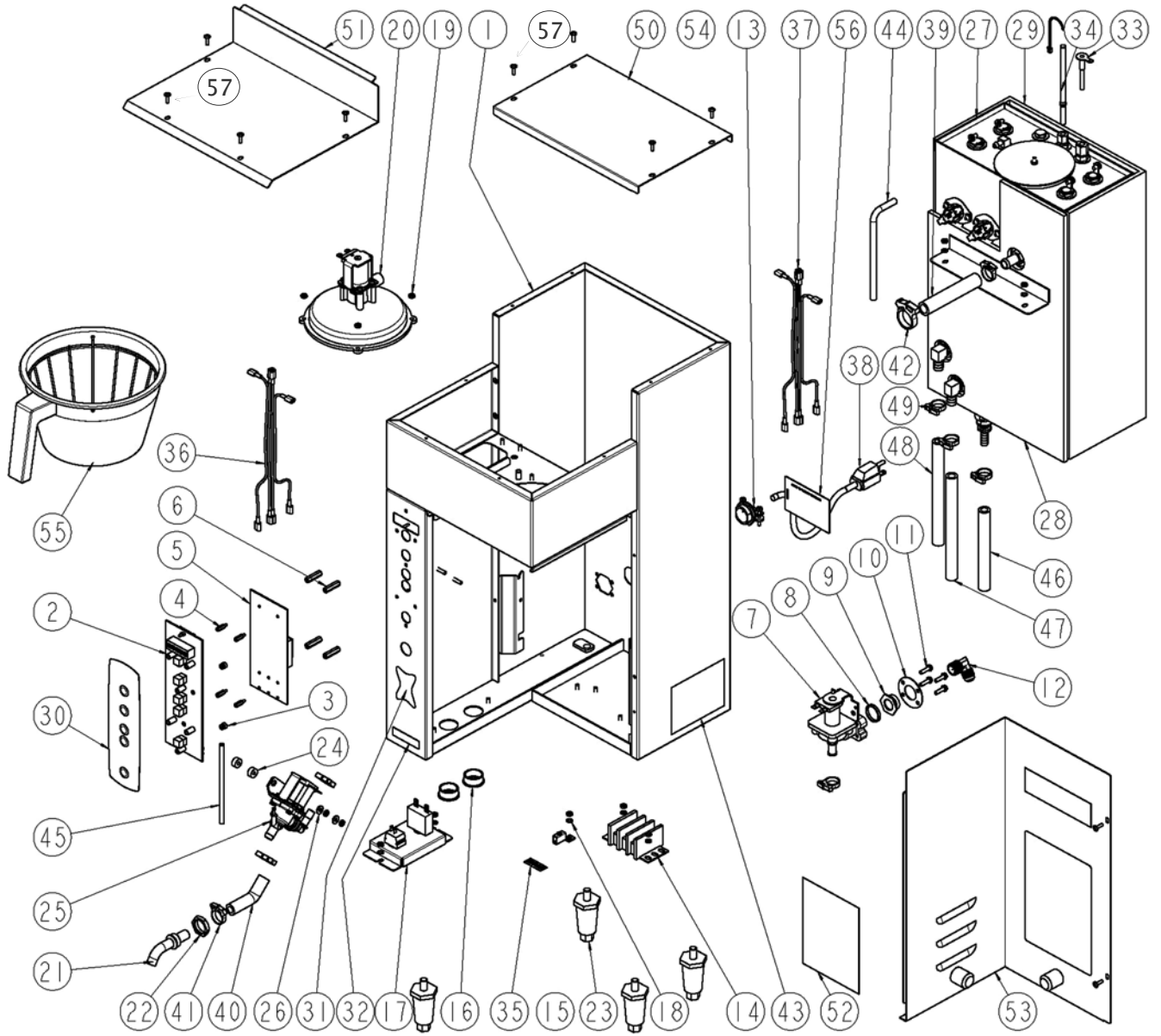
SPRAY PLATE

Quarterly:

- Check water temperature, adjust if necessary.
- Check brew levels, adjust if necessary.
- Inspect all fittings and hoses for leaks.
- Inspect inside of tank for lime deposits. De-lime tank and probes if necessary. This procedure should be done by a qualified service technician.

Parts

Figure 1 – CBS-2031e / CBS-2031s Main Assembly



DWG 101194-C

| ITEM # | QTY | Old part number | PART # | DESCRIPTION |
|--------|-----|-----------------|---------------|---|
| 1 | 1 | | 001051 | WELDMENT CBS-2031e (For Illustration only, not sold as a commercial part) |
| 2 | 1 | | 108001 | SWITCHING/CONTROL BOARD, 5 KEYS, S2P (CBS-2031e ONLY) |
| 2 | 1 | | 108037 | SWITCHING/CONTROL BOARD, 5 KEYS, S2P (CBS-2031s ONLY) |
| 3 | 2 | 29007 | 1029.00006.00 | NUT, #4-40 KNURLED THUMB |
| 4 | 4 | 15007 | 1084.00023.00 | STANDOFF, MALE-FEMALE, THREADED HEX 4-40-1/2" |
| 5 | 1 | 51042 | 1051.00011.00 | BOARD, POWER SUPPLY-120VAC |
| 5 | 1 | | 51055 | BOARD, POWER SUPPLY-220VAC EXPORT ONLY |
| 6 | 4 | 29019 | 1029.00012.00 | SPACER, .25" HEX X 1" LG, FEM #4-40 THREAD |
| 7 | 1 | | 57006 | FILL VALVE, S-53 120VAC |
| 7 | 1 | | 57017 | FILL VALVE, S-53 220VAC |
| 8 | 1 | 24012 | 1024.00020.00 | GASKET, S-53 FILL VALVE |
| 9 | 1 | 31078 | 1031.00004.00 | FITTING, S-53 FILL VALVE INLET |
| 10 | 1 | 03074 | 1003.00019.00 | BRACKET, S-53 INLET VALVE |
| 11 | 4 | 82020 | 1082.00019.00 | SCREW, S-53 FILL VALVE |
| 12 | 1 | 31031 | 1031.00005.00 | FITTING, 90° MALE ELBOW, 3/8 TUBE OD X 3/8 MPT |

EXPORT ONLY

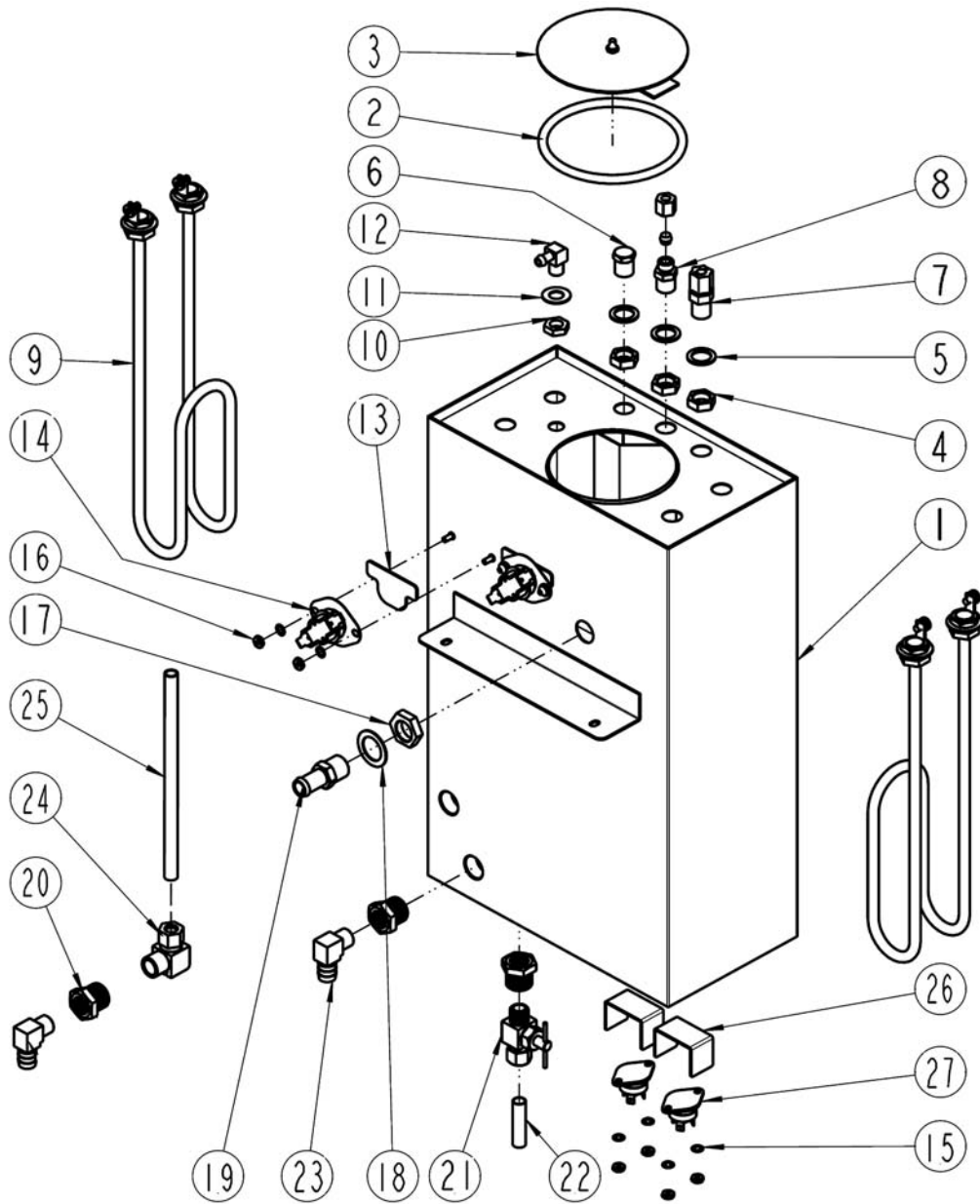
EXPORT ONLY

| | | | | | |
|----|---------|--------|---------------|--|-------------|
| 13 | 1 | 86040 | 1086.00008.00 | CONNECTOR, CABLE CLAMP, 3/4" TRADE SIZE | |
| 14 | 1 | | 52050 | TERMINAL BLOCK | |
| 15 | 1 | 65002 | 1065.00002.00 | CONNECTOR, COPPER LUG | |
| 16 | 2 | 86032 | 1086.00004.00 | BUSHING, SNAP, 1" MOUNTING HOLE DIA | |
| 17 | 1 | 102189 | 1102.00106.00 | ASSEMBLY, POWER BRACKET, CBS-2000e | |
| 17 | 1 | 52026 | 1052.00007.00 | BREAKER, 5A CIRCUIT (Not sold individually, is sold as part of 1102.00106.00--above) | |
| 17 | 1 | 58054 | 1058.00014.00 | SWITCH, PUSH BUTTON (Not sold individually, is sold as part of 1102.00106.00--above) | |
| 18 | 7 | 83026 | 1083.00011.00 | WASHER, #8 SCREW SIZE, INTERNAL TOOTH LOCK | |
| 19 | 13 | 84002 | 1084.00006.00 | NUT, HEX, #8-32 MACHINE SCREW | |
| 20 | 1 | | SEE FIG.5A/5B | ASSEMBLY, SMALL SPRAY HEAD | |
| 21 | 1 | 002065 | 1112.00093.00 | WELDMENT, HOT WATER FAUCET | |
| 22 | 1 | 33007 | 1013.00030.00 | LOCKNUT, 7/16 STRAIGHT PIPE THREAD | |
| 23 | 4 | | 73029 | LEG, THERMOPLASTIC, 2.50"(63mm) | |
| 24 | 2 | | 29021 | SPACER, #8 SCREW SIZE, 1/2 OD X 1/4 LG, ROUND UNTH. | |
| 25 | 1 | 102192 | 1102.00108.00 | ASSEMBLY, HOT WATER VALVE, 120VAC | |
| 25 | 1 | 102193 | 1102.00130.00 | ASSY. HOT WATER VALVE , 220VAC (ELBOW FITTING | EXPORT ONLY |
| 25 | | 57073 | 1057.00014.00 | VALVE REBUILD KIT, DSV11 | |
| 26 | 2 | 83051 | 1083.00016.00 | WASHER, #8 SCREW SIZE, FLAT | |
| 27 | 1 | | 104028 | ASSEMBLY TANK CBS-2031e (SEE FIG 2) | |
| 28 | 1 | | 22062 | INSULATION TANK FRONT CBS-2031e | |
| 29 | 1 | | 22063 | INSULATION TANK BACK CBS-2031e | |
| 30 | 1 | | 45077 | OVERLAY CBS-2031e | |
| 31 | 1 | 41016 | 1041.00004.00 | LABEL, EXTRACTOR | |
| 32 | 1 | 46029 | 1046.00019.00 | LABEL, POWER SWITCH | |
| 33 | 1 | | 102139 | ASSEMBLY, WATER LEVEL PROBE, CBS-2030 | |
| 34 | 1 | 102190 | 1102.00011.00 | ASSY, DIGITAL TEMP. PROBE, 5.0" LG (ORDER AS K061) | |
| 35 | 1 | 44004 | 1044.00003.00 | LABEL, GROUND | |
| 36 | 1 | | 402025 | HARNESS, LOW AMP, ELECTRICAL, CBS-2031e, TWO HEATERS | |
| 37 | 1 | | 402035 | HARNESS, HIGH AMP, ELEC. 2 HEATER WIRE SET CBS-2031e | |
| 38 | 1 | | 63019 | CORD, 120 VAC, 12/3 AWG ,20 AMP , W/5-20P NEMA PLUG | |
| 38 | 1 | | 63018 | CORD, 120 VAC, 12/3 AWG ,15 AMP , W/5-15P NEMA PLUG | |
| 39 | 1 | | 25056 | TUBE, 3/4"OD X 1/2"ID X 4"LG, BREW | |
| 40 | 1 | | 25058 | TUBE 5/8"OD X 3/8"ID X 2.5"LG, HOT WATER FAUCET | |
| 41 | 3 | 86038 | 1086.00002.00 | CLAMP, HOSE, 0.665-0.783" DIA RANGE | |
| 42 | 1 | | 86020 | CLAMP, HOSE, .875"-.750" DIA RANGE | |
| 44 | 1 | | 25059 | TUBE, 5/16"OD X 3/16"ID X 9 1/4"LG VENT | |
| 45 | 1 | | 25102 | TUBE, 1/4"OD X 1/8"ID X 20" LG VENT HOT WATER VALVE | |
| 46 | 1 | | 25055 | TUBE, 5/8"OD X 3/8"ID X 12"LG DRAIN | |
| 47 | 1 | | 25057 | TUBE, 5/8"OD X 3/8"ID X 14 1/2"LG, COLD WATER | |
| 48 | 1 | | 25064 | TUBE, 5/8"OD X 3/8"ID X 6.5"LG. HOT WATER | |
| 49 | 5 | 86007 | 1086.00001.00 | CLAMP, HOSE, .590"-.673" DIA RANGE | |
| 50 | 1 | | 01506 | COVER TOP CBS-2031 & 41 | |
| 51 | 1 | | 01507 | COVER BASE UPPER CBS-2031 | |
| 52 | 1 | | 401217 | WIRING DIAGRAM, CBS-2031e, L1, L2, N, + GR | |
| 53 | 1 | | 102191 | ASSEMBLY, RIGHT COVER CBS-2030's | |
| 54 | 10 | | 82053 | SCREW, # 6-32 X 1/2" TRUSS HD PH | |
| 55 | 1 | | 101171 | BREW BASKET ASSY., 13 X 5, DIA HOLE 0.218" (SEE FIG. 6) | |
| 57 | 1(4 ea) | | 1082.00017.00 | (4) MACHINE SCREW, # 6-32 X 1/2" TRUSS HD PHIL. | |
| 57 | 1(4 ea) | | 1084.00011.00 | (4) "J" Nut for Machine Screw, # 6-32 X 1/2" Truss Hd Phil | |

ADDITIONAL PARTS FOR CBS-2031s, NOT SHOWN ON DRAWING

| | | | | | |
|--|---|--------|---------------|---|-------------|
| | 1 | 102207 | 1102.00113.00 | ASSEMBLY, REED SWITCH | |
| | 1 | 101160 | 1102.00047.00 | ASSEMBLY, BREW BASKET LOCK | |
| | 1 | 101174 | 1102.00135.00 | brew basket lock assy., 220 VAC. EXPORT | EXPORT ONLY |
| | 1 | 57044 | 1057.00020.00 | VALVE, BYPASS LEFT 120 VAC | |
| | 1 | 57077 | 1057.00029.00 | VALVE, BY-PASS, LEFT, 220VAC | EXPORT ONLY |
| | | 57073 | 1057.00014.00 | VALVE REBUILD KIT, DSV11 | |
| | 1 | 101175 | B003280B1 | ASSEMBLY, BREW BASKET CBS-2040'S | |

Figure 2 – CBS-2031e / CBS-2031s Tank Assembly, PART # 104028



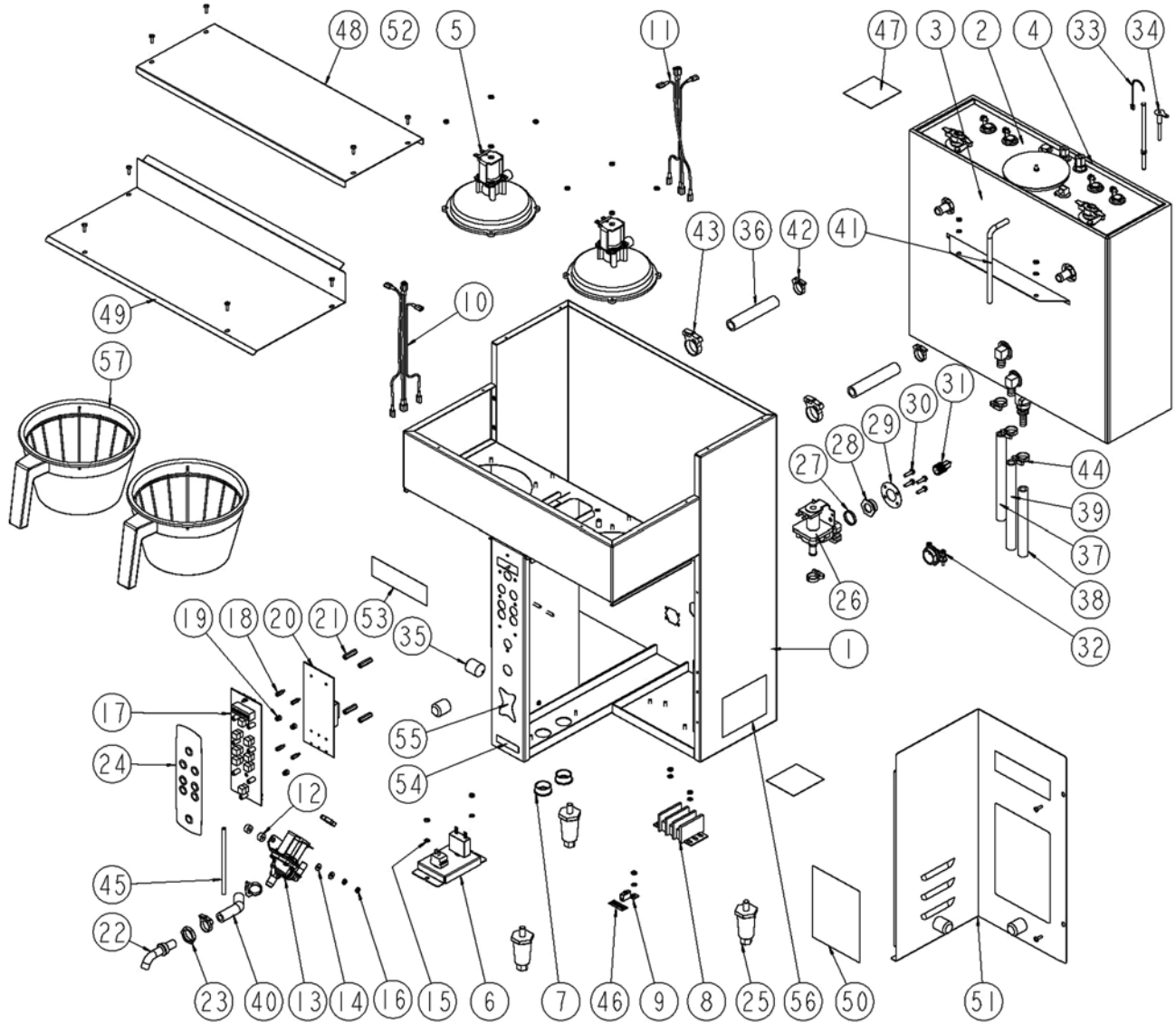
DWG 104028-A

| ITEM # | QTY | Old part number | PART # | DESCRIPTION |
|--------|-----|-----------------|---------------|---|
| 1 | 1 | | 004042 | WELDMENT TANK CBS-2031e |
| 2 | 1 | 24002 | 1024.00007.00 | O-RING, TANK COVER |
| 3 | 1 | 102013 | 1102.00007.00 | ASSEMBLY, TANK COVER |
| 4 | 3 | 31117 | 1031.00007.00 | LOCKNUT, 1/4 STRAIGHT PIPE THREAD |
| 5 | 3 | 83042 | 1083.00006.00 | WASHER, .875"OD X .562"ID, FLAT |
| 6 | 1 | | 31081 | PLUG, HEX HEAD 1/4" MPT |
| 7 | 1 | 25098 | 1025.00001.00 | FITTING, COMPRESSION TUBE |
| 8 | 1 | | 31036 | FITTING COMPR. MALE CONNECTOR 1/4 TUBE OD X 1/4 MPT |
| 9 | 2 | | 107025 | HEATER ASSY., 1500W/120VAC |
| 9 | 2 | | 107019 | HEATER ASSY., 1700W/120VAC |
| 9 | 2 | | 107020 | HEATER ASSY., 2300W/120VAC |
| 9 | 2 | | 107021 | HEATER ASSY., 3000W/240VAC |
| 10 | 1 | 31116 | 1031.00020.00 | LOCKNUT, 1/8 STRAIGHT PIPE THREAD |
| 11 | 1 | 83041 | 1083.00014.00 | WASHER, .812"OD X .412"ID, FLAT |

EXPORT ONLY

| | | | | |
|----|---|-------|---------------|--|
| 12 | 1 | 31005 | 1031.00032.00 | FITTING, 90 DEG. ELBOW, 1/4 HOSE ID X 1/8 MPT |
| 13 | 2 | 03332 | 1003.00005.00 | BRACKET 2, ONE SHOT THERMOSTAT |
| 14 | 2 | 53071 | 1053.00004.00 | THERMOSTAT, SINGLE SHOT, 25 AMP |
| 15 | 8 | 83011 | 1083.00009.00 | WASHER, #6 SCREW SIZE, INTERNAL |
| 16 | 8 | 84001 | 1084.00010.00 | NUT, HEX, #6-32, UNDERSIZED, ZINC PLATED |
| 17 | 1 | 31118 | 1031.00033.00 | LOCKNUT, 3/8 STRAIGHT PIPE THREAD |
| 18 | 1 | | 83044 | WASHER, 1.125"OD X 0.750"ID, FLA |
| 19 | 1 | | 31071 | FITTING, 1/2 HOSE ID X 3/8" MPT |
| 20 | 3 | 31021 | 1031.00029.00 | BUSHING, 3/4-16 X 1/4 NPSM, HEX HEAD |
| 21 | 1 | | 25110 | VALVE, DRAIN (REQUIRES # 25111 TUBE) |
| 22 | 1 | | 25111 | TUBE, DRAIN VALVE |
| 23 | 2 | 31128 | 1031.00031.00 | FITTING, 90° ELBOW, 3/8 HOSE ID X 1/4 MPT |
| 24 | 1 | 31027 | 1031.00030.00 | FITTING, COMPR 90° MALE ELBOW, 3/8 TUBE OD X 1/4 MPT |
| 25 | 1 | 13072 | 1013.00045.00 | OUTLET, INSIDE TANK HOT WATER |
| 26 | 2 | 03297 | 1003.00006.00 | SINK, HEAT FOR 40A TRIAC |
| 27 | 2 | 59008 | 1059.00001.00 | TRIAC 40A, 600V |
| 28 | 1 | 84007 | 1084.00022.00 | NUT, 3/4-16 HEX JAM (TANK DRAIN, INLET TUBE) |

Figure 3 – CBS-2032e / CBS-2032s Main Assembly



DWG 101196-D

| ITEM # | QTY | Old part number | PART # | DESCRIPTION |
|--------|-----|-----------------|---------------|---|
| 1 | 1 | | 001050 | WELDMENT, CBS-2032e (For Illustration only, not sold as a commercial part) |
| 2 | 1 | | 104027 | ASSEMBLY, TANK CBS-2032e (SEE FIG. 4) |
| 3 | 1 | | 22041 | INSULATION TANK FRONT CBS-2032e |
| 4 | 1 | | 22042 | INSULATION TANK BACK CBS-2032e |
| 5 | 2 | | SEE FIG.5A/5B | ASSEMBLY, SMALL SPRAY HEAD |
| 6 | 1 | 102189 | 1102.00106.00 | ASSEMBLY, POWER BRACKET, CBS-2000e |
| 6 | 1 | 52026 | 1052.00007.00 | BREAKER, 5A CIRCUIT (Not sold individually, is sold as part of 1102.00106.00—above) |
| 6 | 1 | 58054 | 1058.00014.00 | SWITCH, PUSH BUTTON (Not sold individually, is sold as part of 1102.00106.00—above) |
| 7 | 2 | 86032 | 1086.00004.00 | BUSHING, SNAP, 1" MOUNTING HOLE DIA |
| 8 | 1 | | 52050 | TERMINAL BLOCK |
| 9 | 1 | 65002 | 1065.00002.00 | CONNECTOR, COPPER LUG |
| 10 | 1 | | 402023 | HARNESS, LOW AMP, ELECTRICAL, CBS-2032e, TWO HEATERS |
| 11 | 1 | | 402032 | HARNESS, HIGH AMP, TWO HEATER WIRE SET CBS-2032e |
| 12 | 2 | | 29021 | SPACER, #8 SCREW SIZE |
| 13 | 1 | 102192 | 1102.00108.00 | HOT WATER VALVE ASSEMBLY, 120VAC |

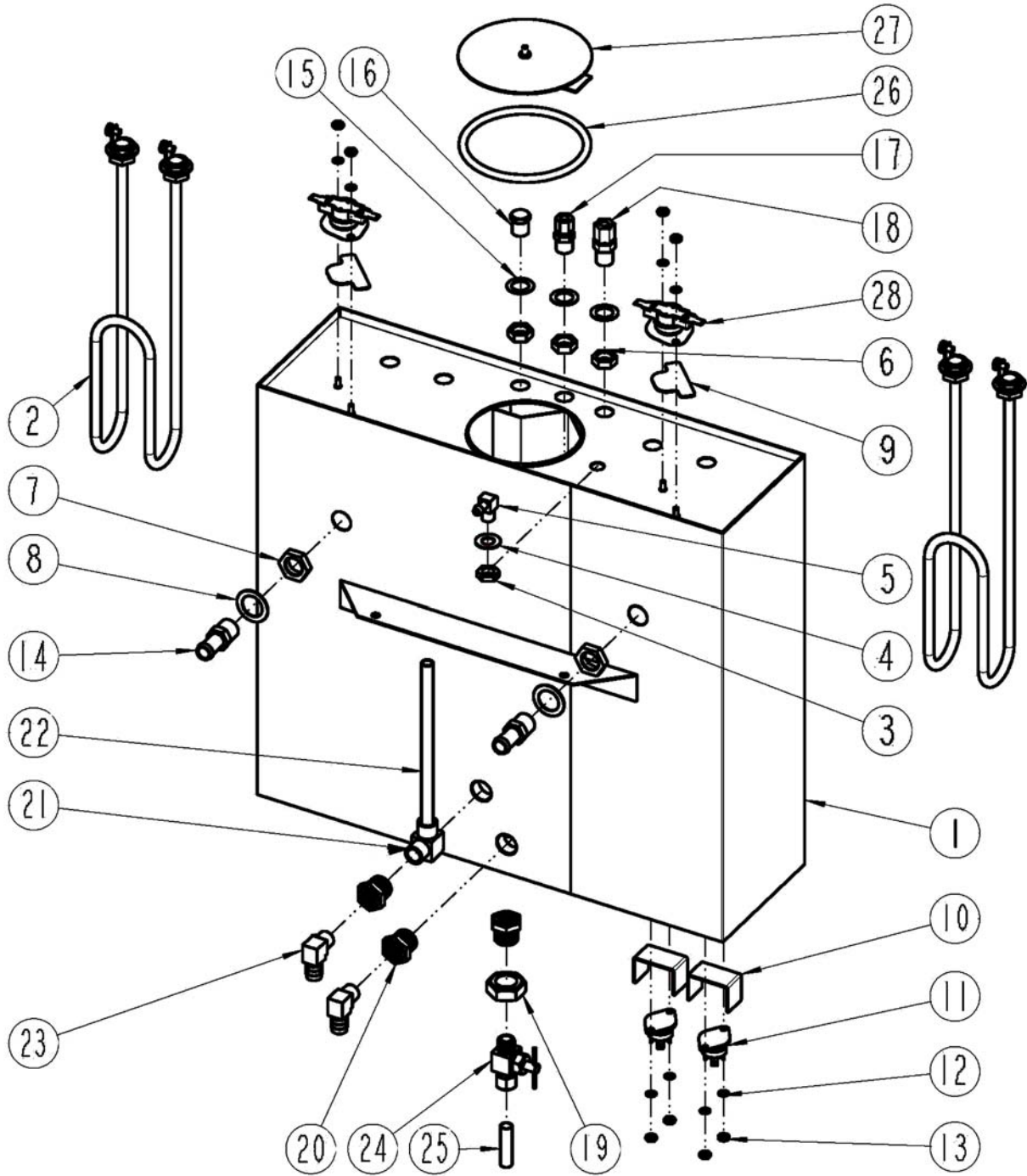
| | | | | | |
|----|----|--------|---------------|---|-------------|
| 13 | 1 | 102193 | 1102.00130.00 | HOT WATER VALVE ASSEMBLY, 220VAC | EXPORT ONLY |
| 13 | | 57073 | 1057.00014.00 | VALVE REBUILD KIT, DSV11 | |
| 14 | 2 | 83051 | 1083.00016.00 | WASHER, #8 SCREW SIZE, FLAT | |
| 15 | 7 | 83026 | 1083.00011.00 | WASHER, #8 SCREW SIZE, INTERNAL TOOTH LOCK | |
| 16 | 17 | 84002 | 1084.00006.00 | NUT, HEX, #8-32 MACHINE SCREW | |
| 17 | 1 | | 108002 | SWITCHING/CONTROL BOARD, 8 KEYS, D2P (CBS-2032e ONLY) | |
| 17 | 1 | | 108038 | SWITCHING/CONTROL BOARD, 8 KEYS, D2P (CBS-2032s ONLY) | |
| 18 | 4 | 15007 | 1084.00023.00 | STANDOFF, MALE-FEMALE, THREADED HEX 4-40-1/2" | |
| 19 | 3 | 29007 | 1029.00006.00 | NUT, #4-40 KNURLED THUMB | |
| 20 | 1 | 51042 | 1051.00011.00 | BOARD, POWER SUPPLY-120VAC | |
| 20 | 1 | | 51055 | BOARD, POWER SUPPLY-220VAC | EXPORT ONLY |
| 21 | 4 | 29019 | 1029.00012.00 | SPACER, .25" HEX X 1" LG, FEM #4-40 THREAD | |
| 22 | 1 | 002065 | 1112.00093.00 | WELDMENT, HOT WATER FAUCET | |
| 23 | 1 | 33007 | 1013.00030.00 | LOCKNUT, 7/16 STRAIGHT PIPE THREAD | |
| 24 | 1 | | 45078 | OVERLAY CBS-2032e | |
| 25 | 3 | | 73029 | LEG, THERMOPLASTIC, 2.50"(63mm) | |
| 26 | 1 | | 57006 | FILL VALVE, S-53 120VAC | |
| 26 | 1 | | 57017 | FILL VALVE, S-53 220VAC | EXPORT ONLY |
| 27 | 1 | 24012 | 1024.00020.00 | GASKET, S-53 FILL VALVE | |
| 28 | 1 | 31078 | 1031.00004.00 | FITTING, S-53 FILL VALVE INLET | |
| 29 | 1 | 03074 | 1003.00019.00 | BRACKET, S-53 INLET VALVE | |
| 30 | 4 | 82020 | 1082.00019.00 | SCREW, S-53 FILL VALVE | |
| 31 | 1 | 31031 | 1031.00005.00 | FITTING, 90° MALE ELBOW, 3/8 TUBE OD X 3/8 MPT | |
| 32 | 1 | 86040 | 1086.00008.00 | CONNECTOR, CABLE CLAMP, 3/4" TRADE SIZE | |
| 33 | 1 | 102190 | 1000.00061.00 | ASSY, DIGITAL TEMP. PROBE, 5.0" LG | |
| 34 | 1 | 102139 | 1000.00028.00 | ASSEMBLY, WATER LEVEL PROBE, CBS-2030'S | |
| 35 | 2 | | 102195 | ASSEMBLY, BUMPER, 2030e | |
| 36 | 2 | | 25056 | TUBE, 3/4"OD X 1/2"ID X 4"LG, BREW | |
| 37 | 1 | | 25064 | TUBE, 5/8"OD X 3/8"ID X 6.5"LG. HOT WATER | |
| 38 | 1 | | 25055 | TUBE, 5/8"OD X 3/8"ID X 12"LG DRAIN | |
| 39 | 1 | | 25057 | TUBE, 5/8"OD X 3/8"ID X 14 1/2"LG, COLD WATER | |
| 40 | 1 | | 25058 | TUBE 5/8"OD X 3/8"ID X 2.5"LG, HOT WATER FAUCET | |
| 41 | 1 | | 25059 | TUBE, 5/16"OD X 3/16"ID X 9 1/4"LG VENT | |
| 42 | 4 | 86038 | 1086.00002.00 | CLAMP, HOSE, 0.665-0.783" DIA RANGE | |
| 43 | 2 | | 86020 | CLAMP, HOSE, .875"-.750" DIA RANGE | |
| 44 | 5 | 86007 | 1086.00001.00 | CLAMP, HOSE, .590"-.673" DIA RANGE | |
| 45 | 1 | 25102 | 25102 | TUBE, 1/4"OD X 1/8"ID X 20" LG VENT HOT WATER VALVE | |
| 46 | 1 | 44004 | 1044.00003.00 | LABEL, GROUND | |
| 47 | 2 | 44024 | 1044.00004.00 | LABEL, WARNING-HIGH VOLTAGE | |
| 48 | 1 | | 01479 | COVER, TOP CBS-2032 & 42 | |
| 49 | 1 | | 01463 | COVER, UPPER BASE CBS-2032e | |
| 50 | 1 | | 401219 | WIRING DIAGRAM, CBS-2032e, 1PH, 3 WIRE + GR, 2 HEATERS | |
| 51 | 1 | | 102191 | ASSEMBLY, RIGHT COVER CBS-2030's | |
| 52 | 10 | 82053 | 1082.00017.00 | SCREW, # 6-32 X 1/2" TRUSS HD PHIL., MACHINE | |
| 53 | 1 | | 46027 | LABEL, SPRAY HOUSING | |
| 54 | 1 | 46029 | 1046.00019.00 | LABEL, POWER SWITCH | |
| 55 | 1 | 41016 | 1041.00004.00 | LABEL, EXTRACTOR | |
| 57 | 2 | 101171 | B007218B1 | BREW BASKET ASSY. 13" X 5", W/ 0.218" HOLE, 0.19" FLANGE (SEE FIG. 6) | |
| | | | B006218B1 | BREW BASKET ASSY. 13" X 5", W/ 0.218" HOLE, 0.25" FLANGE (SEE FIG. 6) | |

ADDITIONAL PARTS FOR CBS-2032s, NOT SHOWN ON DRAWING

| | | | | | |
|--|---|--------|---------------|---|-------------|
| | 2 | 101160 | 1102.00047.00 | ASSEMBLY, BREW BASKET LOCK | |
| | 2 | 101174 | 1102.00135.00 | brew basket lock assy., 230 VAC. EXPORT | EXPORT ONLY |
| | 2 | 102207 | 1102.00113.00 | ASSEMBLY, REED SWITCH | |
| | 1 | 57043 | 1002.00109.00 | VALVE, BYPASS RIGHT 120 VAC | |
| | 1 | 57076 | 1002.00132.00 | VALVE, BY-PASS, RIGHT, 230VAC | EXPORT ONLY |
| | 1 | | 1002.00134.00 | VALVE, BY-PASS, RIGHT, 200VAC | JAPAN |
| | | 57073 | 1057.00014.00 | VALVE REBUILD KIT, DSV11 | |

| | | | | | |
|--|---|--------|---------------|--|-------------|
| | 6 | 83051 | 1083.00016.00 | WASHER, #8 SCREW SIZE, FLAT | |
| | 4 | 84030 | 1084.00015.00 | LOCKNUT, #8-32 SCREW SIZE, HEX THIN NYLON INSERT | |
| | 1 | 57044 | 1102.00110.00 | VALVE, BYPASS LEFT 120 VAC | |
| | 1 | 57077 | 1102.00131.00 | VALVE, BY-PASS, LEFT, 230VAC | EXPORT ONLY |
| | 1 | | 1002.00133.00 | VALVE, BY-PASS, RIGHT, 200VAC | JAPAN |
| | 1 | 101175 | B003280B1 | ASSEMBLY, BREW BASKET CBS-2040'S (SEE FIG. 7) | |

Figure 4 – CBS-2032e / CBS-2032s TANK ASSEMBLY Part Number #104027



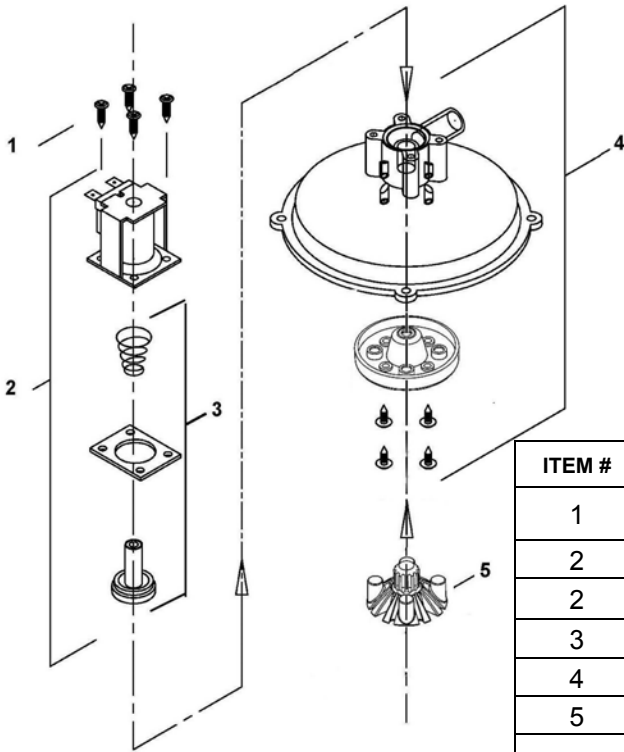
DWG 104027-A

| ITEM # | QTY | Old part number | PART # | DESCRIPTION |
|--------|-----|-----------------|---------------|--|
| 1 | 1 | | 004043 | WELDMENT TANK CBS-2032e |
| 2 | 2 | | 107021 | HEATER ASSY., 3000W/240VAC |
| 3 | 1 | 31116 | 1031.00020.00 | LOCKNUT, 1/8 STRAIGHT PIPE THREAD |
| 4 | 1 | 83041 | 1083.00014.00 | WASHER, .812"OD X .412"ID, FLAT |
| 5 | 1 | 31005 | 1031.00032.00 | FITTING, 90 DEG. ELBOW, 1/4 HOSE ID X 1/8 MPT |
| 6 | 3 | 31117 | 1031.00007.00 | LOCKNUT, 1/4 STRAIGHT PIPE THREAD |
| 7 | 2 | 31118 | 1031.00033.00 | LOCKNUT, 3/8 STRAIGHT PIPE THREAD |
| 8 | 2 | | 83044 | WASHER, 1.125"OD X 0.750"ID, FLA |
| 9 | 2 | 003332 | 1003.00005.00 | BRACKET 2, ONE SHOT THERMOSTAT |
| 10 | 2 | 003297 | 1003.00006.00 | SINK, HEAT FOR 40A TRIAC |
| 11 | 2 | 59008 | 1059.00001.00 | TRIAC 40A, 600V |
| 12 | 8 | 83011 | 1083.00009.00 | WASHER, #6 SCREW SIZE, INTERNAL |
| 13 | 8 | 84001 | 1084.00010.00 | NUT, HEX, #6-32, UNDERSIZED, ZINC PLATED |
| 14 | 2 | | 31071 | FITTING, 1/2 HOSE ID X 3/8" MPT |
| 15 | 3 | 83042 | 1083.00006.00 | WASHER, .875"OD X .562"ID, FLAT |
| 16 | 1 | | 31081 | PLUG, HEX HEAD 1/4" MPT |
| 17 | 1 | | 31036 | FITTING COMPR. MALE CONNECTOR 1/4 TUBE OD X 1/4 MPT |
| 18 | 1 | 25098 | 1025.00001.00 | FITTING, COMPRESSION TUBE |
| 19 | 1 | 84007 | 1084.00022.00 | NUT, 3/4-16 HEX JAM (TANK DRAIN, INLET TUBE) |
| 20 | 3 | 31021 | 1031.00029.00 | BUSHING, 3/4-16 X 1/4 NPSM, HEX HEAD |
| 21 | 1 | 31027 | 1031.00030.00 | FITTING, COMPR 90° MALE ELBOW, 3/8 TUBE OD X 1/4 MPT |
| 22 | 1 | 13072 | 1013.00045.00 | OUTLET, INSIDE TANK HOT WATER |
| 23 | 2 | 31128 | 1031.00031.00 | FITTING, 90° ELBOW, 3/8 HOSE ID X 1/4 MPT |
| 24 | 1 | | 25110 | VALVE, DRAIN (REQUIRES # 25111 TUBE) |
| 25 | 1 | | 25111 | TUBE, DRAIN VALVE |
| 26 | 1 | 24002 | 1024.00007.00 | O-RING, TANK COVER |
| 27 | 1 | 102013 | 1102.00007.00 | ASSEMBLY, TANK COVER |
| 28 | 2 | 53071 | 1053.00004.00 | THERMOSTAT, SINGLE SHOT, 25 AMP |

Figure 5a – CSD VERSIONS:

ASSY, CSD SMALL SPRAY HEAD, 120VAC, PART # 102395

ASSY, CSD SMALL SPRAY HEAD, 220VAC, PART # 102396 (EXPORT ONLY)



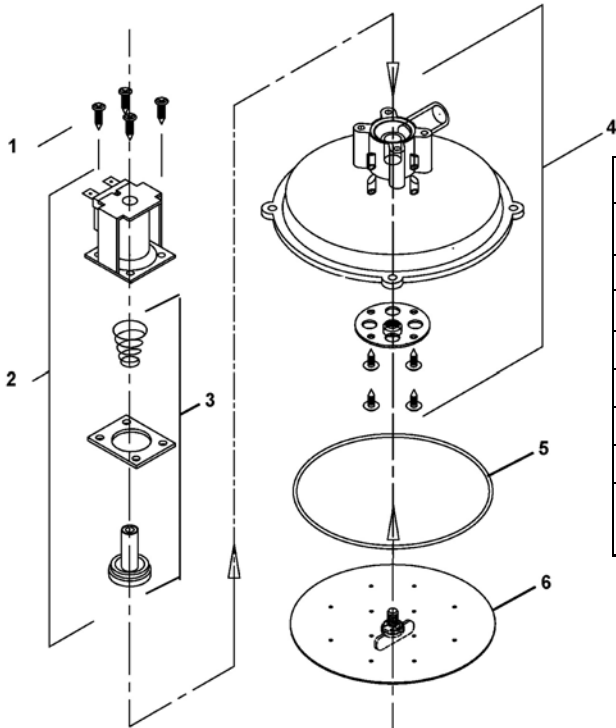
| ITEM # | QTY | Old part number | PART # | DESCRIPTION |
|-----------|-----|-----------------|---------------|--|
| 1 | 4 | | 82112 | #8 X 3/4" PAN HD. PHIL. T.S. 18-8 S.S. SCREW |
| 2 | 1 | 57047 | 1057.00013.00 | VALVE, BREW, SMALL, 120VAC |
| 2 | 1 | | 57071 | VALVE ASSY., DSV-11, 220 VAC |
| 3 | 1 | 57073 | 1057.00014.00 | VALVE REBUILD KIT, DSV11 |
| 4 | 1 | | 102397 | ASSY., CSD, SPRAY. HOUSING -SMALL |
| 5 | 1 | | 102363 | ASSEMBLY, CASCADE SPRAY DOME |
| NOT SHOWN | KIT | | 1000.00079.00 | CSD Retro-Fit Kit. Includes all parts and clear instructions to update 5b (below) Into 5a- the current CSD brewer |

EXPORT ONLY

Figure 5b – SPRAY PLATE VERSIONS:

ASSY, SMALL SPRAY HEAD, 120VAC, PART # 102080

ASSY, SMALL SPRAY HEAD, 220VAC, PART # 102158 (EXPORT ONLY)

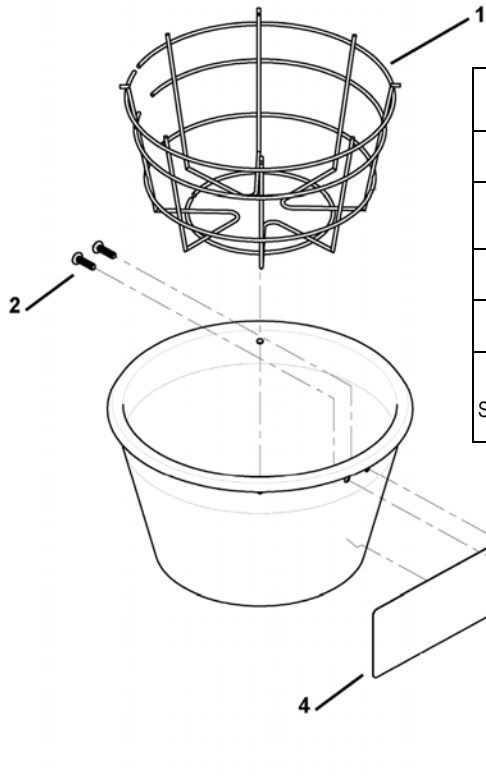


| ITEM # | QTY | Old part number | PART # | DESCRIPTION |
|-----------|-----|-----------------|---------------|--|
| 1 | 4 | | 82112 | #8 X 3/4" PAN HD. PHIL. T.S. 18-8 S.S. SCREW |
| 2 | 1 | 57047 | 1057.00013.00 | VALVE, BREW, SMALL, 120VAC |
| 2 | 1 | | 57071 | VALVE ASSY., DSV-11, 220 VAC |
| 3 | 1 | 57073 | 1057.00014.00 | VALVE REBUILD KIT, DSV11 |
| 4 | 1 | | 102082 | SPRAY HOUSING ASSY. |
| 5 | 1 | 24054 | 1024.00029.00 | O-RING 4.237 ID, 0.103 IN CS |
| 6 | 1 | 102081 | 102081 | SPRAY PLATE ASSY., 4 7/8" DIA. |
| NOT SHOWN | KIT | | 1000.00079.00 | CSD Retro-Fit Kit. Includes all parts and clear instructions to update 5b Into 5a- the current CSD brewer (above) |

EXPORT ONLY

NOTE: The round and square brew baskets pictured below are not interchangeable. Use only the type of brew basket that originally came with the brewer.

Figure 6 – Brew Basket Assembly, 13” X 5”, Part # B006218B1 (ROUND)



| ITEM | QTY | Old part number | PART # | DESCRIPTION |
|-----------|-----|-----------------|---------------|--|
| 1 | 1 | 09021 | 1009.00008.00 | BASKET, WIRE, 13" X 5" |
| 2 | 2 | 82118 | 1082.00021.00 | SCREW, 8-18 X 3/4" PAN HD PHIL. PLASTICS |
| 3 | 1 | 23074 | 1023.00110.00 | HANDLE BREW BASKET |
| 4 | 1 | 46011 | 1046.00007.00 | LABEL, BREW BASKET WARNING |
| NOT SHOWN | | | F002 | PAPER FILTERS, 13" X 5" 500 PER CASE |

COLOR BREW BASKET HANDLES

| Old part number | PART # | DESCRIPTION |
|-----------------|---------------|--------------------------------------|
| 23169 | 1023.00111.00 | HANDLE BREW BASKET RED CBS-18/2030'S |
| 23171 | 1023.00112.00 | HANDLE BREW BASKET GREEN |

Figure 7 – Brew Basket Assembly, 13” X 5”, Part # B003280B1 (SQUARE)

| ITEM | QTY | Old part number | PART # | DESCRIPTION |
|-----------|-----|-----------------|---------------|---|
| 1 | 1 | 09022 | 1009.00006.00 | BASKET WIRE CBS-2040'S |
| 2 | 1 | 23117 | 1023.00089.00 | HANDLE, BREW BASKET (INCLUDES #8 – MAGNET) |
| 3 | 1 | 46011 | 1046.00007.00 | LABEL, BREW BASKET WARNING |
| 5 | 1 | 82096 | 1082.00040.00 | SCREW, 1/4-20 X .5, FLT HD, PHILLIPS, 18-8 SS, W/ PLASTIC PATCH |
| NOT SHOWN | | 101171 | B003280B1 | Brew Basket, 13" X 5", W/0.218" Hole, 0.19" Flange (Used before 9/2007) |
| NOT SHOWN | | | F002 | PAPER FILTERS, 13" X 5" 500 PER CASE |

COLOR BREW BASKET HANDLES

| Old part number | PART # | DESCRIPTION |
|-----------------|---------------|-----------------------------|
| 23106 | 1023.00087.00 | Brew Basket Handle - Green |
| 23107 | 1023.00088.00 | Brew Basket Handle - Orange |
| 23148 | 1023.00090.00 | Brew Basket Handle - Red |

